



US00D887688S

(12) **United States Design Patent**
McKenzie

(10) **Patent No.:** **US D887,688 S**

(45) **Date of Patent:** **** Jun. 23, 2020**

(54) **SHOE**

(71) Applicant: **PUMA SE**, Herzogenaurach (DE)

(72) Inventor: **Carly McKenzie**, Nuremberg (DE)

(73) Assignee: **PUMA SE**, Herzogenaurach (DE)

(**) Term: **15 Years**

(21) Appl. No.: **29/673,313**

(22) Filed: **Dec. 13, 2018**

Related U.S. Application Data

(63) Continuation of application No. 29/649,404, filed on May 30, 2018.

Foreign Application Priority Data

Apr. 13, 2018 (EM) 005233111

(51) **LOC (12) Cl.** **02-04**

(52) **U.S. Cl.**
USPC **D2/947; D2/960**

Field of Classification Search

USPC D2/902, 906, 908, 916, 918, 925,
D2/946-962, 977; 36/3 B, 22 R, 24.5,
36/25 R, 28, 32 R, 34 R, 59 C, 67 A, 103
CPC A43B 13/00; A43B 13/02; A43B 13/023;
A43B 13/026; A43B 13/04; A43B 13/08;
A43B 13/10; A43B 13/12; A43B 13/14;
A43B 13/141; A43B 13/143; A43B
13/16; A43B 13/18; A43B 13/181; A43B
13/187; A43B 13/189; A43B 13/20; A43B
13/22; A43B 13/223; A43B 13/24; A43B
13/28; A43B 13/30; A43B 13/32; A43B
13/34; A43B 13/36

See application file for complete search history.

(56) **References Cited**

U.S. PATENT DOCUMENTS

D116,635 S 9/1939 Stuart
D133,176 S 7/1942 Gregg
2,405,498 A 8/1946 Gregg
D173,700 S 12/1954 Hosker et al.
D226,883 S 5/1973 Babicka et al.
D226,885 S 5/1973 McBarron
D236,559 S 9/1975 Senter
D236,560 S 9/1975 Senter
D237,425 S 11/1975 Askew

(Continued)

OTHER PUBLICATIONS

“Ashish×Underground,” Dazed, dated Jun. 10, 2011, accessed on Mar. 12, 2019, <<http://www.dazeddigital.com/fashion/article/10575/1/ashish-x-underground>>, 7 pages.

(Continued)

Primary Examiner — T Chase Nelson

(74) *Attorney, Agent, or Firm* — Quarles & Brady LLP

(57) **CLAIM**

The ornamental design for a shoe, as shown and described.

DESCRIPTION

FIG. 1 is a left and front perspective view of an ornamental design for a shoe;

FIG. 2 is a front elevational view of the shoe of FIG. 1;

FIG. 3 is a rear elevational view of the shoe of FIG. 1;

FIG. 4 is a right side elevational view of the shoe of FIG. 1;

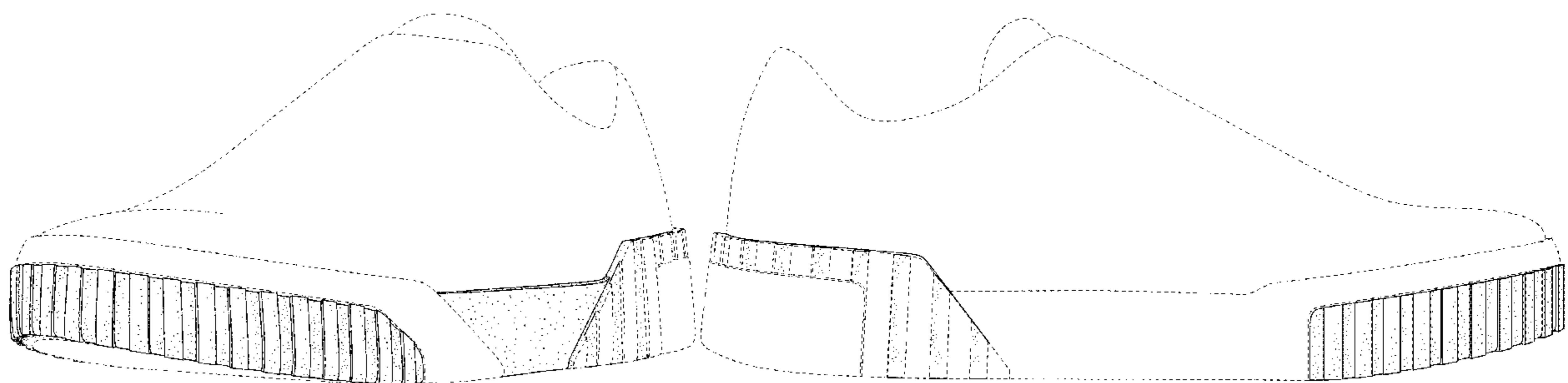
FIG. 5 is a left side elevational view of the shoe of FIG. 1;

FIG. 6 is a top plan view of the shoe of FIG. 1; and,

FIG. 7 is a bottom plan view of the shoe of FIG. 1.

The dash-dash-dash-dash broken lines are included for the purpose of illustrating portions that form no part of the claimed design.

1 Claim, 6 Drawing Sheets



(56)

References Cited

U.S. PATENT DOCUMENTS

D237,427 S	11/1975	Thornberry	D681,317 S	5/2013	Della Valle et al.
D238,626 S	2/1976	Senter	D682,515 S	5/2013	Della Valle et al.
D238,983 S	3/1976	Senter	D683,526 S	6/2013	Day, Jr.
D239,478 S	4/1976	Senter	D683,937 S	6/2013	Raysse
D239,479 S	4/1976	Senter	D686,805 S	7/2013	Day, Jr.
D239,983 S	5/1976	Senter	D689,673 S	9/2013	Kampff
D240,470 S	7/1976	Ford	D689,674 S	9/2013	Kampff
D242,401 S	11/1976	Wunsch	D690,088 S	9/2013	Hardman
D243,421 S	2/1977	Cohen	D691,786 S	10/2013	Weitzman
D245,211 S	8/1977	Krome	D694,498 S	12/2013	Carboy
D249,748 S	10/1978	Kitamura	D699,423 S	2/2014	Della Valle et al.
4,137,653 A	2/1979	Famolare, Jr.	D700,419 S	3/2014	Della Valle et al.
D265,015 S	6/1982	Higgins	D701,023 S	3/2014	Della Valle et al.
D278,093 S	3/1985	Ueda	D701,373 S	3/2014	Della Valle et al.
D281,457 S	11/1985	Po	D702,423 S	4/2014	Della Valle et al.
D297,185 S	8/1988	Berzak	D706,524 S	6/2014	Smith et al.
4,890,398 A	1/1990	Thomasson	D707,938 S	7/2014	Spring
D315,440 S	3/1991	Hegy	D708,828 S	7/2014	Avar et al.
D317,076 S	5/1991	Skinner	D714,037 S	9/2014	Della Valle et al.
D324,293 S	3/1992	Rogers	D717,032 S	11/2014	Van Zyll De Jong et al.
D329,529 S	9/1992	Hatfield	D717,535 S	11/2014	Kelley
D331,143 S	11/1992	McDonald	D718,038 S	11/2014	Kelley
D332,688 S	1/1993	Autry	D723,785 S	3/2015	Miner
D338,326 S	8/1993	Dolinsky	D724,298 S	3/2015	Zaedow
D342,377 S	12/1993	Smith	D725,356 S	3/2015	Miner
5,488,786 A	2/1996	Ratay	D729,503 S	5/2015	Carroll et al.
D379,861 S	6/1997	Wunsch	D731,162 S	6/2015	Cin
D384,806 S	10/1997	Pallera	D731,761 S	6/2015	Carroll et al.
D387,550 S	12/1997	Ng et al.	D737,554 S	9/2015	Della Valle et al.
D396,739 S	8/1998	Pallera	D738,084 S	9/2015	Feeney
D397,851 S	9/1998	Greenberg	D741,055 S	10/2015	Avar
D402,794 S	12/1998	Spriggs	D746,030 S	12/2015	Avar
D410,137 S	5/1999	Kelley	D748,383 S	2/2016	Raysse
D410,962 S	6/1999	Iwahashi	D751,797 S	3/2016	Slimane
D429,061 S	8/2000	Burruano et al.	D752,322 S	3/2016	Tomat
D444,939 S	7/2001	Hamel	D760,483 S	7/2016	Siegel
D447,853 S	9/2001	Merceron	D762,953 S	8/2016	Del Biondi et al.
D449,426 S	10/2001	Pollastrelli	D769,586 S	10/2016	Buscemi
D459,062 S	6/2002	Pollastrelli	D774,288 S	12/2016	Pina
D465,902 S	11/2002	Ammon et al.	D787,789 S	5/2017	Del Biondi et al.
D473,041 S	4/2003	Finkelberg	D792,683 S	7/2017	Carroll et al.
D490,232 S	5/2004	Kuerbis	D793,676 S	8/2017	Slimane
D492,473 S	7/2004	White	D796,160 S	9/2017	Guichot
D503,028 S	3/2005	Merceron	D796,796 S	9/2017	Frisoni et al.
D516,293 S	3/2006	Smith, III	D796,816 S	9/2017	Klein
D544,702 S	6/2007	Link	D802,266 S	11/2017	Hardman
D569,587 S	5/2008	James	D804,784 S	12/2017	Romero et al.
D571,988 S	7/2008	Dillenbeck	D810,408 S	2/2018	Hernandez
D573,780 S	7/2008	Davis et al.	D812,870 S	3/2018	Laska
D582,133 S	12/2008	Del Biondi	D814,155 S	4/2018	Hernandez
D586,993 S	2/2009	Banik et al.	D815,424 S	4/2018	Petrie
D590,137 S	4/2009	Austin	D821,734 S	7/2018	Petrie
D593,741 S	6/2009	Vico et al.	D825,158 S	8/2018	Petrenka
7,543,397 B2	6/2009	Kilgore et al.	D827,258 S	9/2018	Pina
D595,937 S	7/2009	Morris	D833,126 S	11/2018	Laska
D615,734 S	5/2010	Di Nucci	D838,449 S	1/2019	Michetti
D636,155 S	4/2011	Della Valle et al.	D840,649 S	2/2019	De Biase
D636,156 S	4/2011	Della Valle et al.	D841,965 S	3/2019	Goldman et al.
D636,157 S	4/2011	Nascimento	D843,098 S	3/2019	Natowich McPhee et al.
D648,514 S	11/2011	Avar	D844,952 S	4/2019	Taylor
D651,387 S	1/2012	Van Zyll De Jong et al.	D846,243 S	4/2019	Comeaux et al.
D653,842 S	2/2012	Weiss	D846,851 S	4/2019	Della Valle et al.
D659,367 S	5/2012	Hurayt	D851,875 S	6/2019	Jacobs
D659,953 S	5/2012	Van Zyll De Jong et al.	D853,690 S	7/2019	Taylor
D659,972 S	5/2012	Hurayt	D854,285 S	7/2019	Chang
D660,566 S	5/2012	Van Zyll De Jong et al.	D855,952 S	8/2019	Hardy
D662,697 S	7/2012	Portzline	D858,955 S	9/2019	Bongers
D670,070 S	11/2012	Della Valle et al.	D863,742 S	10/2019	Huard et al.
D675,418 S	2/2013	Van Zyll De Jong et al.	D872,982 S *	1/2020	Kuerbis D2/947
D677,865 S	3/2013	Van Zyll De Jong et al.	D874,099 S *	2/2020	Hartmann D2/902
D680,309 S	4/2013	Raysse	D874,797 S	2/2020	Fongher et al.
D680,714 S	4/2013	Della Valle et al.	D877,465 S *	3/2020	Hartmann D2/902
D680,720 S	4/2013	Smith et al.	D878,019 S *	3/2020	McMillan D2/947
D681,315 S	5/2013	Della Valle et al.	D879,423 S *	3/2020	Engel D2/947
D681,316 S	5/2013	Della Valle et al.	10,575,587 B2 *	3/2020	Guyan A43B 13/187
			D880,131 S *	4/2020	Fick A43B 13/187
					D2/959
			2007/0220778 A1	9/2007	Fusco et al.
			2010/0088928 A1	4/2010	Sarantakos et al.

(56)

References Cited

U.S. PATENT DOCUMENTS

2010/0180474 A1 7/2010 Clark et al.
 2010/0186255 A1 7/2010 Avar et al.
 2010/0275470 A1 11/2010 Hoffer et al.
 2011/0072687 A1 3/2011 Bobbett et al.
 2012/0144698 A1 6/2012 McDowell
 2015/0101215 A1 4/2015 Henderson et al.
 2017/0340057 A1 11/2017 Guyan

OTHER PUBLICATIONS

“Brothel Creeper,” Wikipedia, dated Jul. 17, 2016, archived on Aug. 3, 2016, accessed on Mar. 12, 2019, <https://en.wikipedia.org/wiki/Brothel_creeper>, 2 pages.

“Brothel Creepers—The Shoes that are Creeping Back into Fashion,” Huffpost, dated Sep. 2, 2011, accessed on Mar. 12, 2019, <http://www.huffingtonpost.co.uk/jane-mcfarland/brothel-creepers-theshoe_b_947277.html>, 1 page.

“Mr. Completely Shoes,” Haus of Rihanna, dated Oct. 27, 2014, archived on May 31, 2016, accessed on Mar. 12, 2019, <<http://hausofrihanna.com/mr-completely-adidas-creepy-samba-shoes/mr-completely-adidas-samba-creepers-rihanna/>>, 3 pages.

“Puma Suede Winter Gum Sneaker—Black,” Jimmy Jazz, archived on May 10, 2016, accessed on Mar. 12, 2019, <<http://www.jimmyjazz.com/mens/footwear/puma-suede-winter-gum-sneaker/360987-01>>, 2 pages.

“Rihanna Spotted in Mr. Completely Custom Nike and Adidas Creepers,” Snobette, Oct. 28, 2014, accessed on Mar. 12, 2016, <<http://thesnobette.com/2014/10/mr-completely-nike-adidas-creepers/>>, 6 pages.

Gorman, “George Cox: The origins of the Diano Brothel Creeper + Samples ordered by Malcolm McLaren in 1973,” dated Jan. 20, 2015, archived on Jul. 11, 2015, accessed on Mar. 12, 2019, <<http://www.paulgormanis.com/?p=13103>>, 8 pages.

Zolla, “Creepers,” Vogue Encyclo, archived on Mar. 22, 2015, accessed on Mar. 12, 2019, <<http://www.vogue.it/en/encyclo/fashion/c/creepers>>, 3 pages.

Astro Sala Men’s Sneakers, Puma.com, [online], [site visited Mar. 16, 2020]. <URL: https://us.puma.com/en/us/pd/astro-sala-mens-sneakers/362361.html?dwvar_362361_color=09> (Year: 2020) 1 page.

Converse Men’s Chuck Taylor Sneakers, Amazon.com, Date first listed on Amazon: Apr. 22, 2009, [online], [site visited Mar. 16, 2020]. <URL: <https://www.amazon.com/Converse-Chuck-Taylor-Star-Sneakers/dp/B0002M30VM?th=1>> (Year: 2009) 3 pages.

The Converse All Star Pro BB Goes Triple White for All-Star, SneakerNews.com, Feb. 12, 2020 by Jovani Hernandez, [online], [site visited Mar. 16, 2020]. <URL: <https://sneakernews.com/2020/02/12/converse-all-star-pro-bb-white/>> (Year: 2020) 9 pages.

PUMA Women’s Carina Sneaker, Amazon.com, Date first listed on Amazon: Feb. 16, 2019, [online], [site visited Mar. 16, 2020]. <X URL: https://www.amazon.com/PU-MA-Womens-Carina-Sneaker-Bluestone/dp/B07KX6GPGB/ref=pd_sbs_309_3/132-2524759-0679644?encoding=UTF8&pd_rd_i=B07HJR823P&pd_rd> (Year: 2019) 4 pages.

* cited by examiner

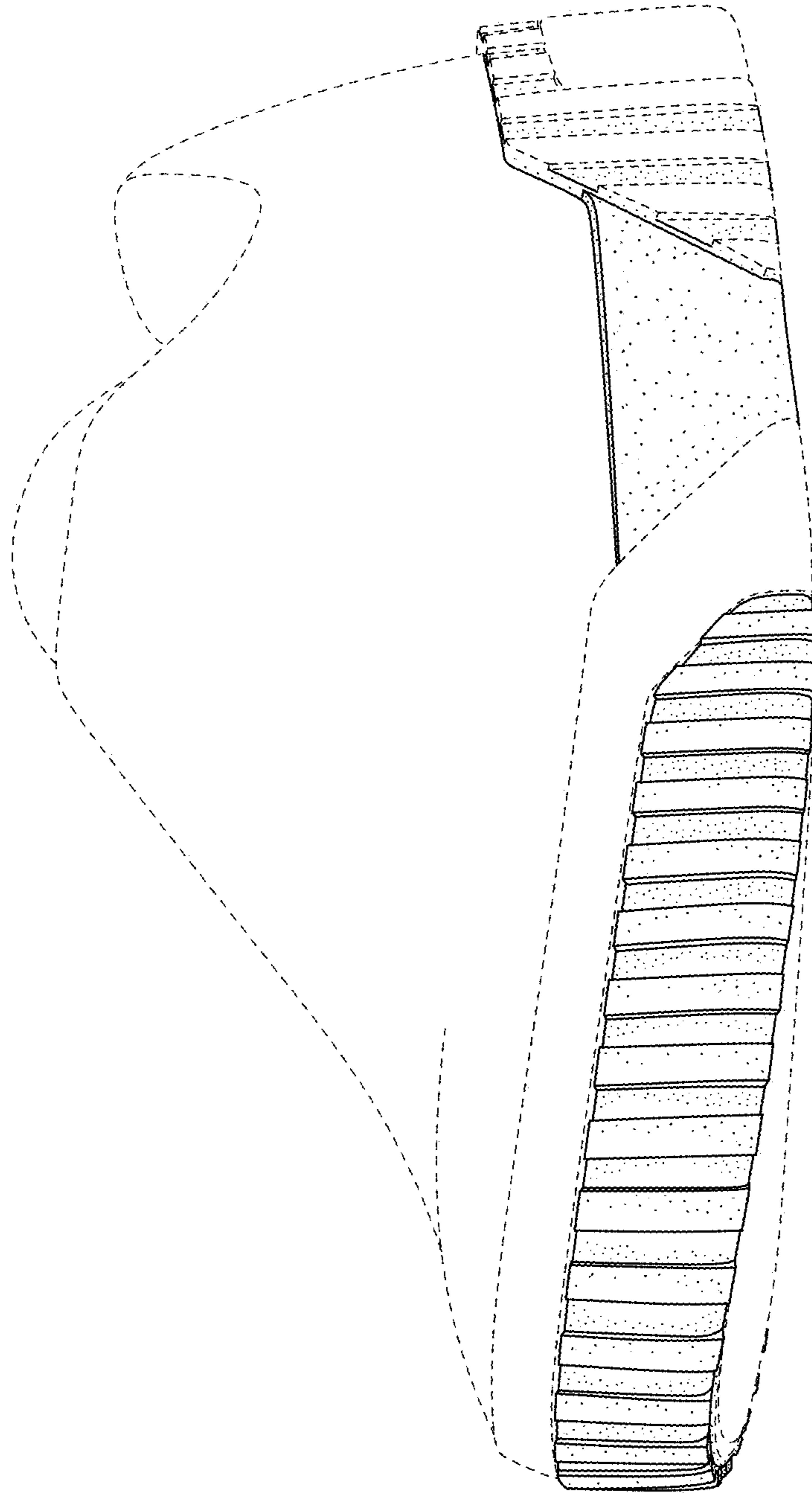


FIG. 1

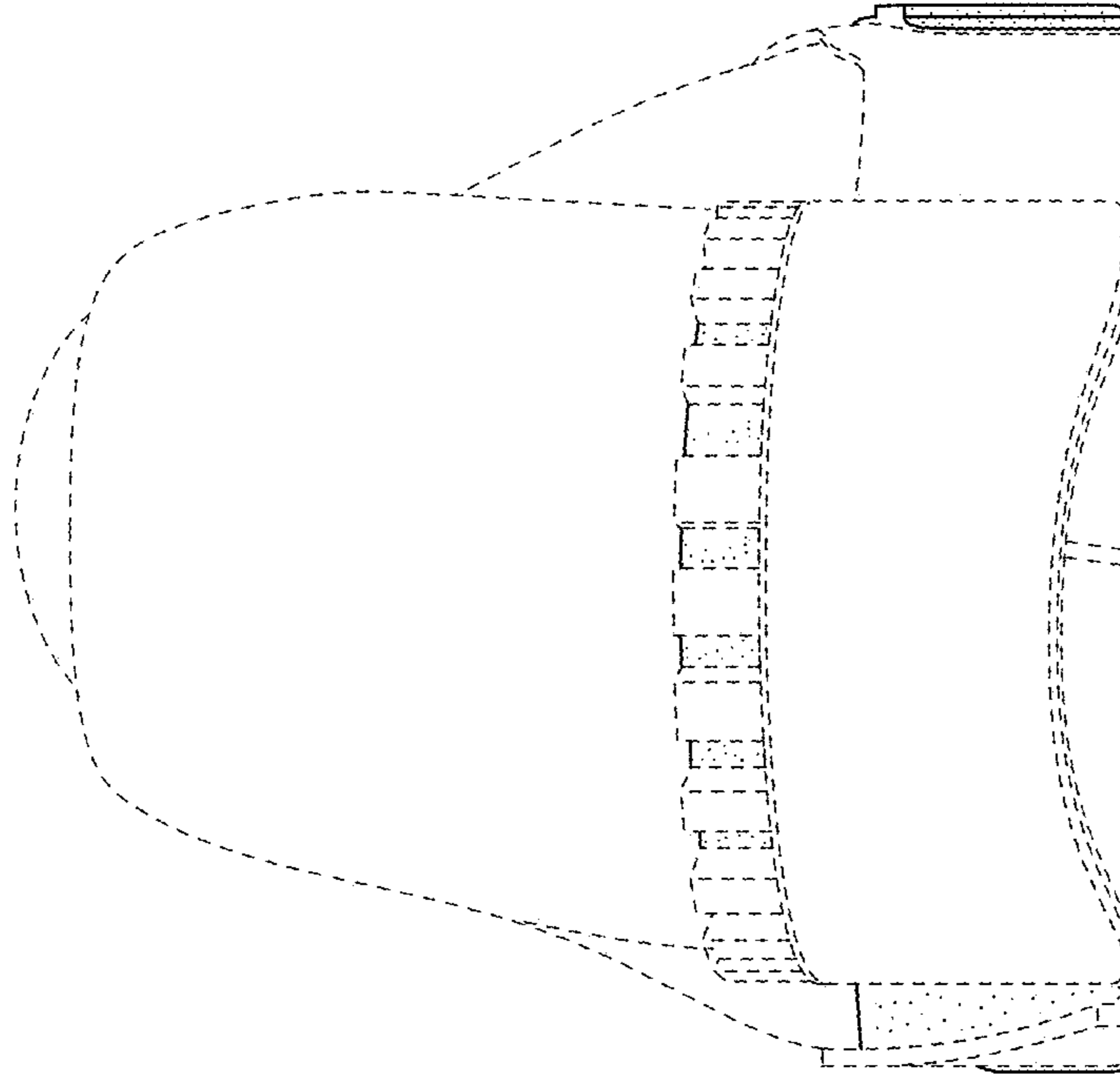


FIG. 3

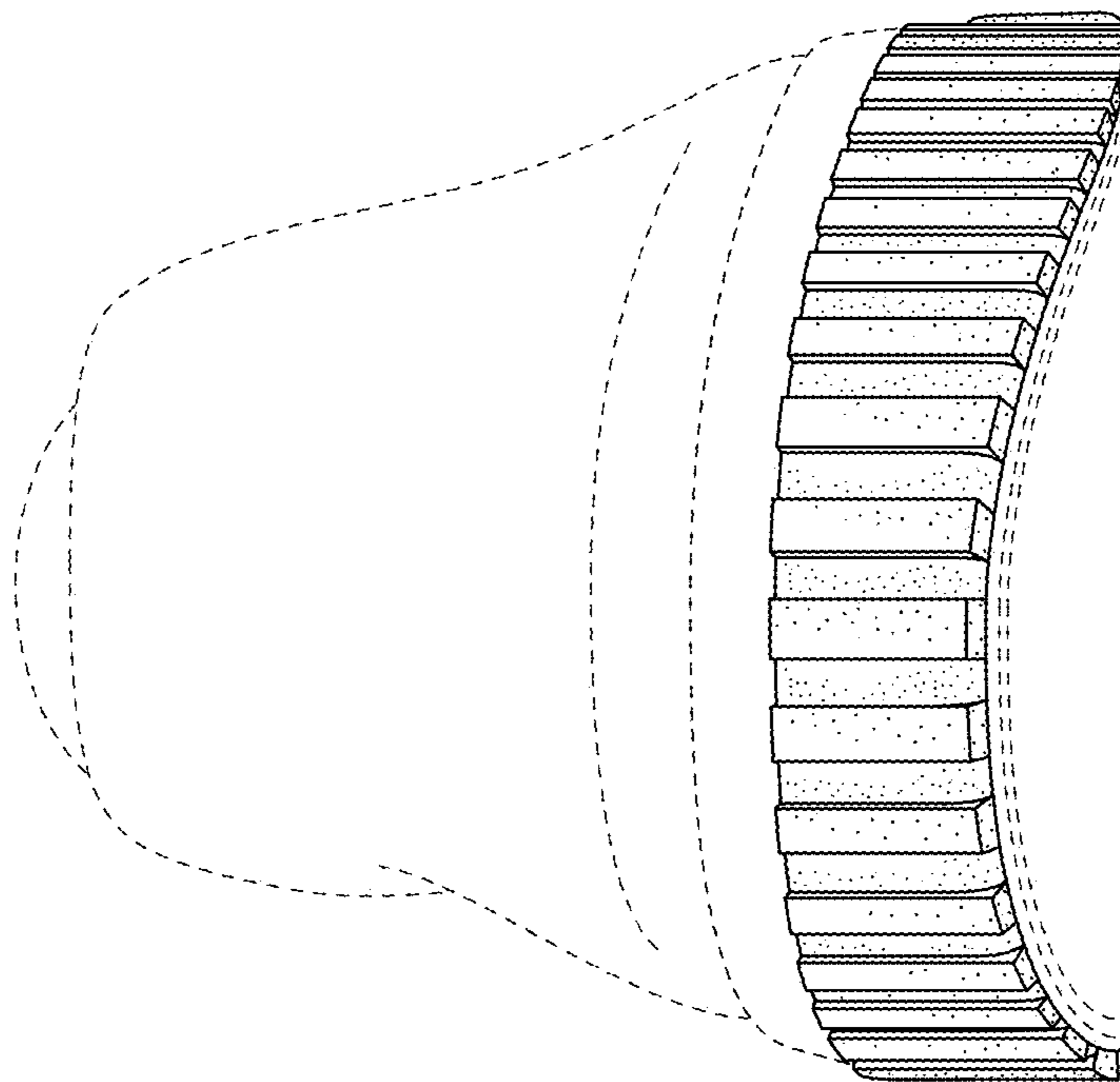


FIG. 2

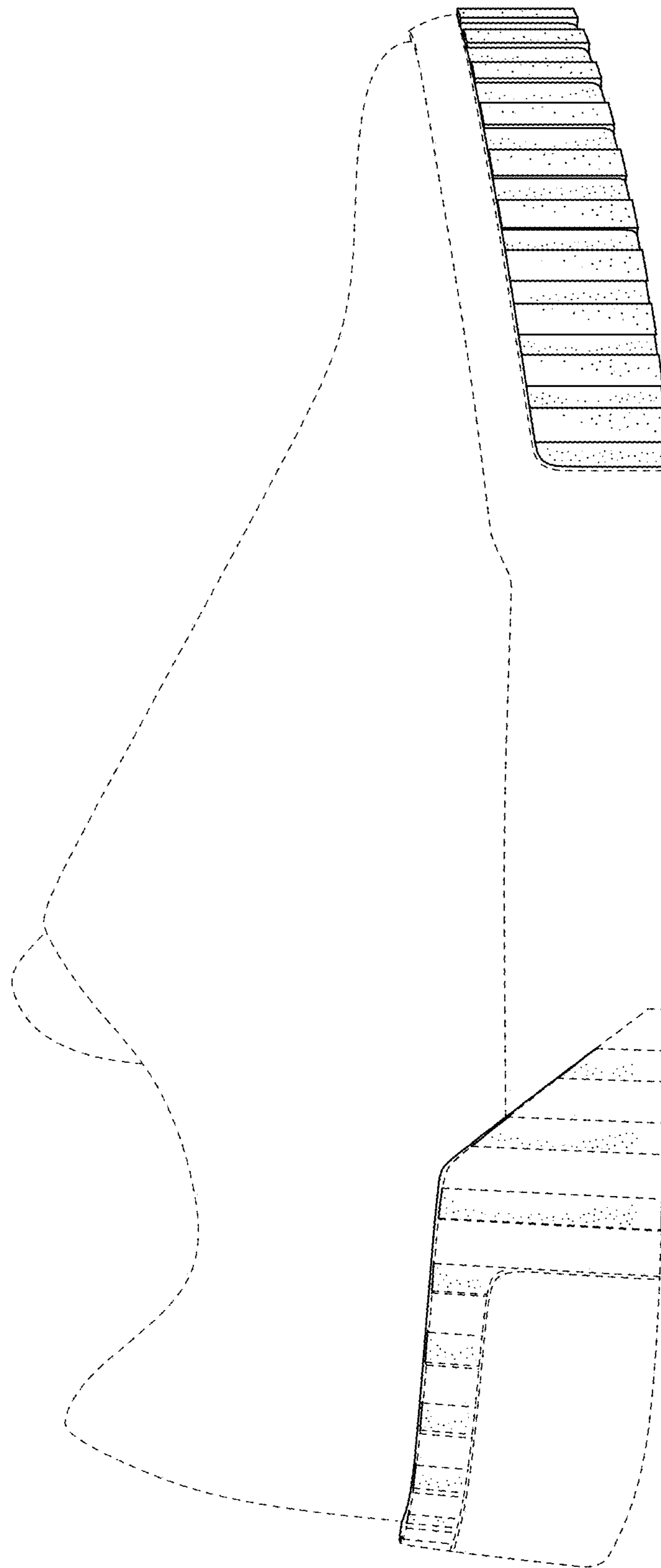


FIG. 4

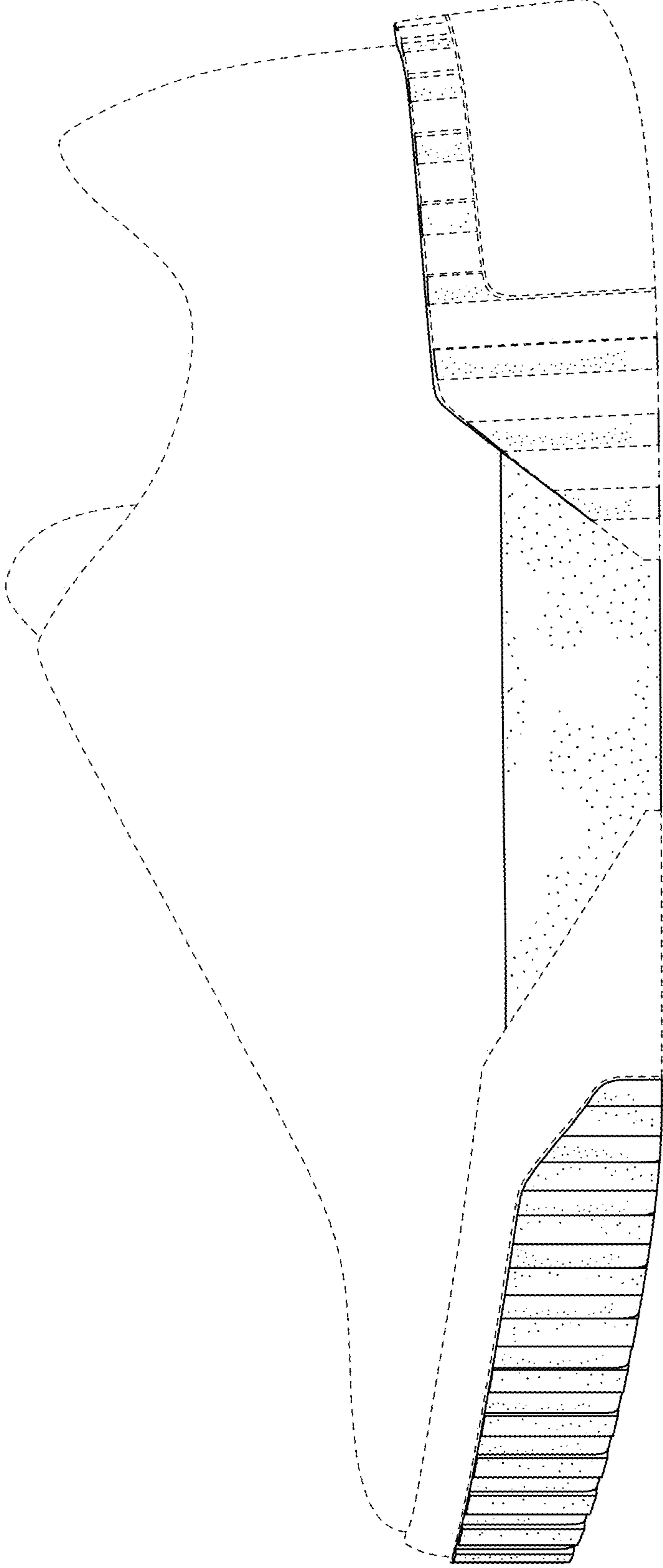


FIG. 5

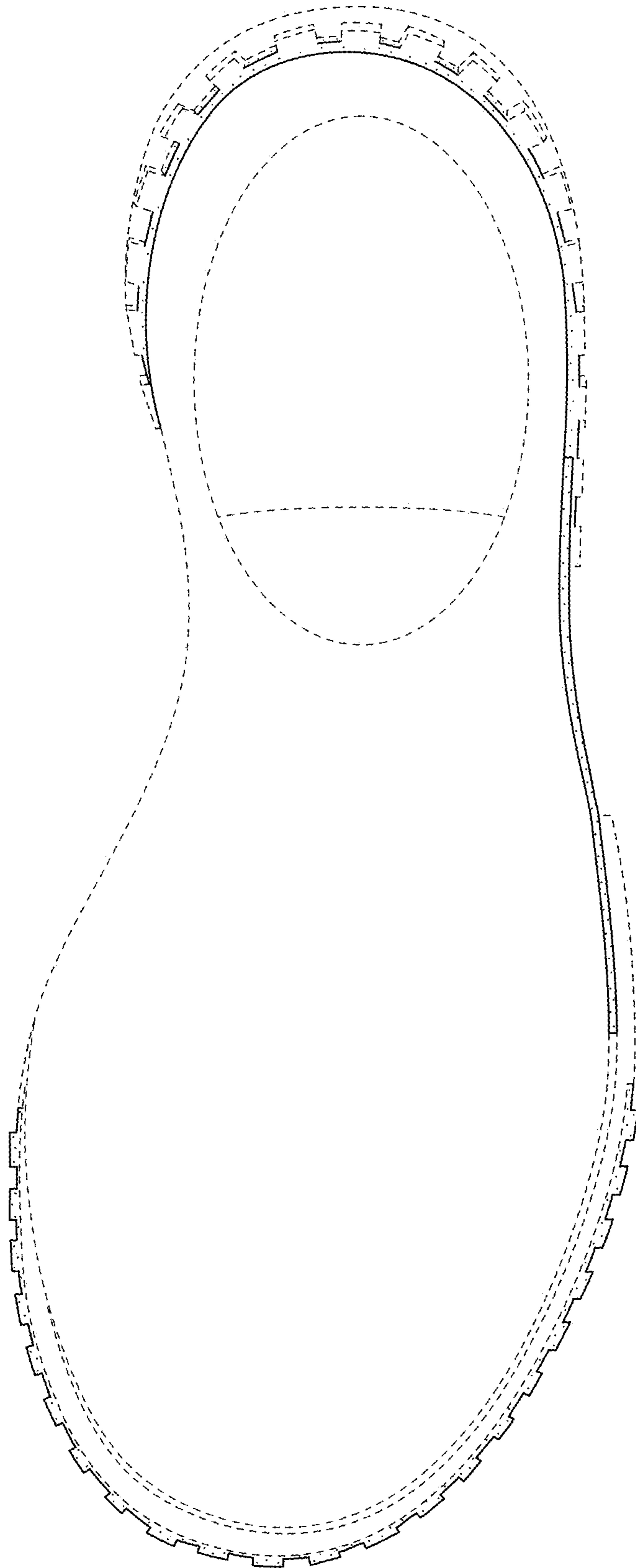


FIG. 6

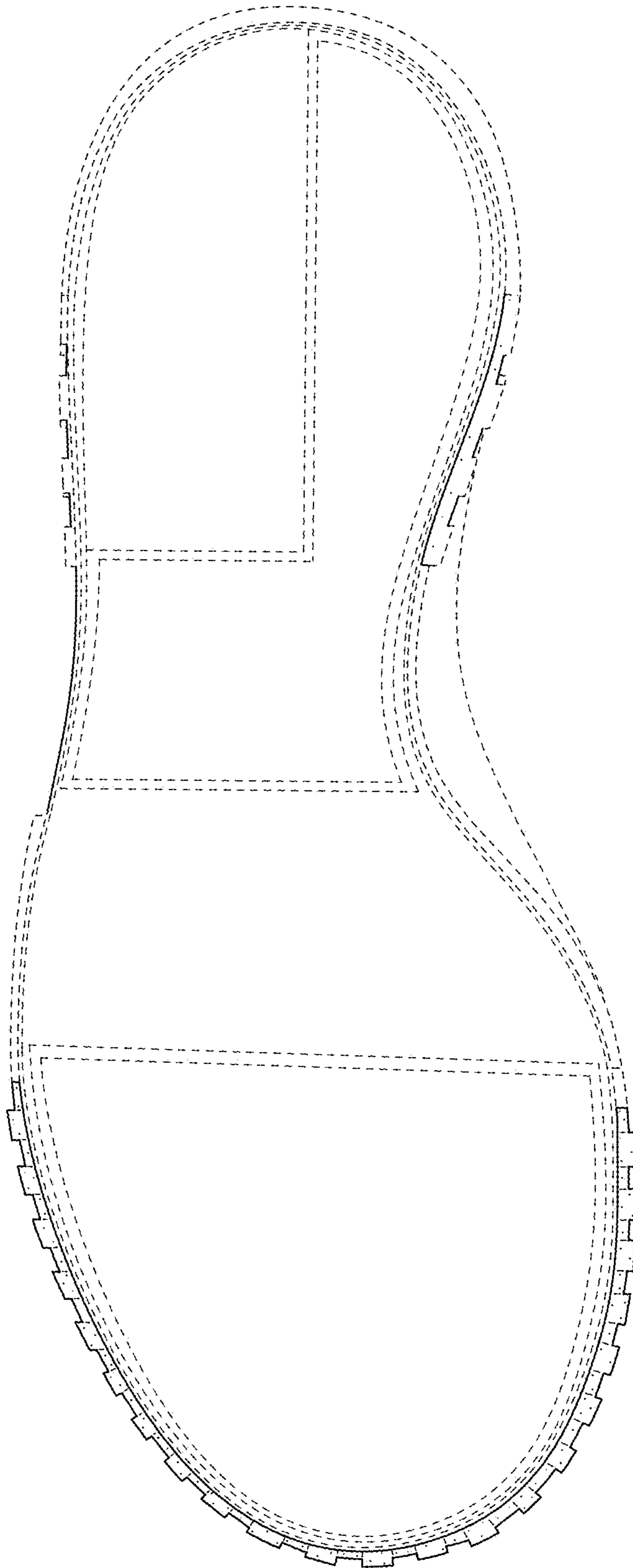


FIG. 7