



US00D887682S

(12) **United States Design Patent**
Sogorb

(10) **Patent No.:** **US D887,682 S**
(45) **Date of Patent:** **** Jun. 23, 2020**

(54) **SHOE**
(71) Applicant: **PUMA SE**, Herzogenaurach (DE)
(72) Inventor: **Boris Sogorb**, Nuremberg (DE)
(73) Assignee: **PUMA SE**, Herzogenaurach (DE)
(**) Term: **15 Years**

4,766,681 A * 8/1988 O'Rourke A43B 5/00
36/114
D422,401 S * 4/2000 Moll D2/909
6,408,544 B1 * 6/2002 Hernandez A43B 1/0009
36/103
6,536,137 B1 * 3/2003 Celia A43B 1/0045
36/28
D623,385 S * 9/2010 Stansberry D2/910
8,146,272 B2 * 4/2012 Dukovic A43B 13/141
36/59 C

(Continued)

(21) Appl. No.: **29/627,332**

(22) Filed: **Nov. 27, 2017**

(30) **Foreign Application Priority Data**

Sep. 29, 2017 (EM) 004377901

(51) **LOC (12) Cl.** **02-04**

(52) **U.S. Cl.**
USPC **D2/902**

(58) **Field of Classification Search**
USPC D2/902, 904, 906, 908, 624, 627, 629,
D2/946, 947, 951, 954, 959, 960, 962;
D21/769, 771; 36/7.6, 59 R, 62, 64, 66,
36/113, 114, 124, 128, 132, 134
CPC A43C 15/06; A43C 15/068; A43C 15/09;
A43C 15/066; A43C 15/061; A43C
15/10; A43C 11/00; A43C 13/04; A43C
15/02; A43C 19/00; A43C 7/00; A43C
15/063; A43C 15/16; A43B 5/02; A43B
13/223; A63C 13/003
See application file for complete search history.

(56) **References Cited**

U.S. PATENT DOCUMENTS

2,405,498 A * 8/1946 Gregg A43B 13/37
36/32 R
D154,501 S * 7/1949 Marx D2/910
D238,983 S * 3/1976 Seeter D2/907
4,137,653 A * 2/1979 Famolare, Jr. A43B 7/08
36/3 B

OTHER PUBLICATIONS

Fenty PUMA by Rihanna posted by PUMA posted date Mar. 29, 2017 © YouTube, [online], [site visited Aug. 1, 2019]. Available from Internet, <https://www.youtube.com/watch?v=WeyKeShWL7l> (Year: 2017).*

(Continued)

Primary Examiner — Cynthia Ramirez
Assistant Examiner — Laura H Yu
(74) *Attorney, Agent, or Firm* — Leydig, Voit & Mayer, Ltd.

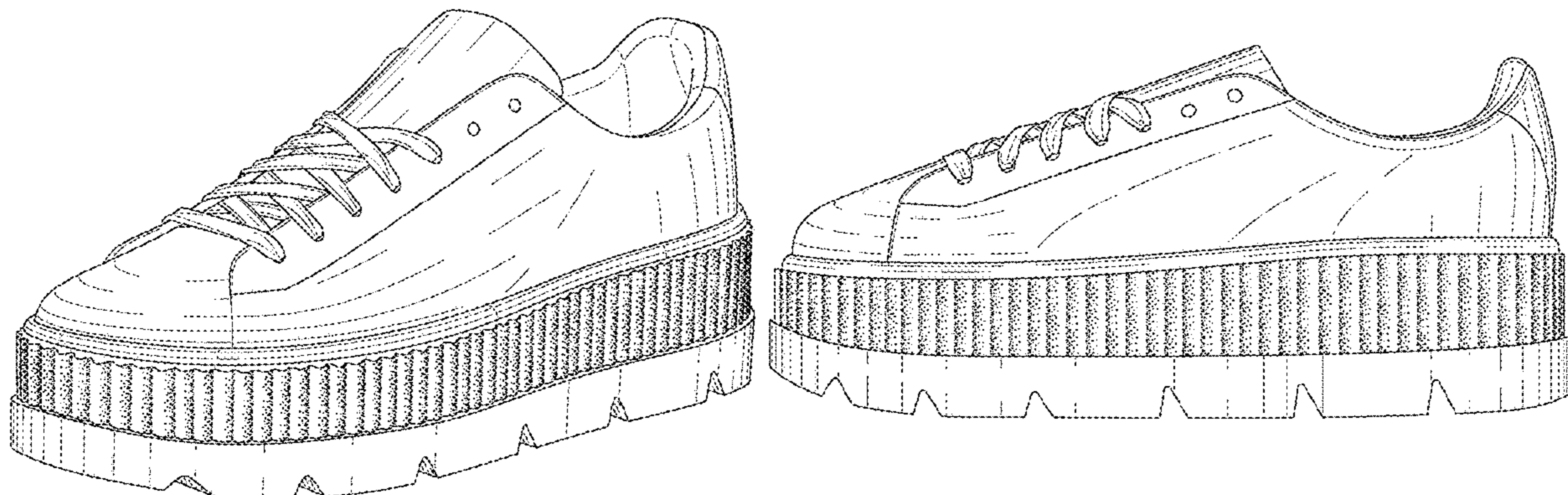
(57) **CLAIM**

The ornamental design for a shoe, as shown and described.

DESCRIPTION

FIG. 1 is a top left front perspective view of the shoe showing my new design;
FIG. 2 is a top left rear perspective view thereof;
FIG. 3 is a left side view thereof;
FIG. 4 is a right side view thereof;
FIG. 5 is a front view thereof;
FIG. 6 is a rear view thereof;
FIG. 7 is a top view thereof; and,
FIG. 8 is a bottom view thereof.
The broken lines in the figures illustrate portions of the shoe that form no part of the claimed design.

1 Claim, 7 Drawing Sheets



(56)

References Cited

U.S. PATENT DOCUMENTS

D659,953	S	*	5/2012	Van Zyll De Jong	D2/907
D660,566	S	*	5/2012	Van Zyll De Jong	D2/945
D683,937	S	*	6/2013	Raysse	D2/947
D689,674	S	*	9/2013	Kampff	D2/908
D725,359	S	*	3/2015	Miner	D2/947
D729,503	S	*	5/2015	Carroll	D2/902
D738,084	S	*	9/2015	Feeney	D2/907
D760,483	S	*	7/2016	Siegel	D2/908
D768,367	S	*	10/2016	Henderson	D2/947
D774,288	S	*	12/2016	Pina	D2/908
D792,683	S	*	7/2017	Carroll	D2/902
D801,010	S	*	10/2017	Armellin	D2/916
D827,258	S	*	9/2018	Pina	D2/916

OTHER PUBLICATIONS

Gothic Platform Shoes by Rock N Doll posted by Rock N Doll posted date unknown © Rock N Doll, [online], [site visited Aug. 1, 2019]. Available from Internet, <https://rockndollstore.com/products/gothic-double-ankle-strap-platform-shoes> (Year: 2019).*

Fall 2017 Ready to Wear Fenty x Puma posted by Chioma Nnadi posted date Mar. 6, 2017, © Vogue, [online], [site visited Oct. 29, 2019]. Available from Internet, <https://www.vogue.com/fashion-shows/fall-2017-ready-to-wear/fenty-puma> (Year: 2017).*

* cited by examiner

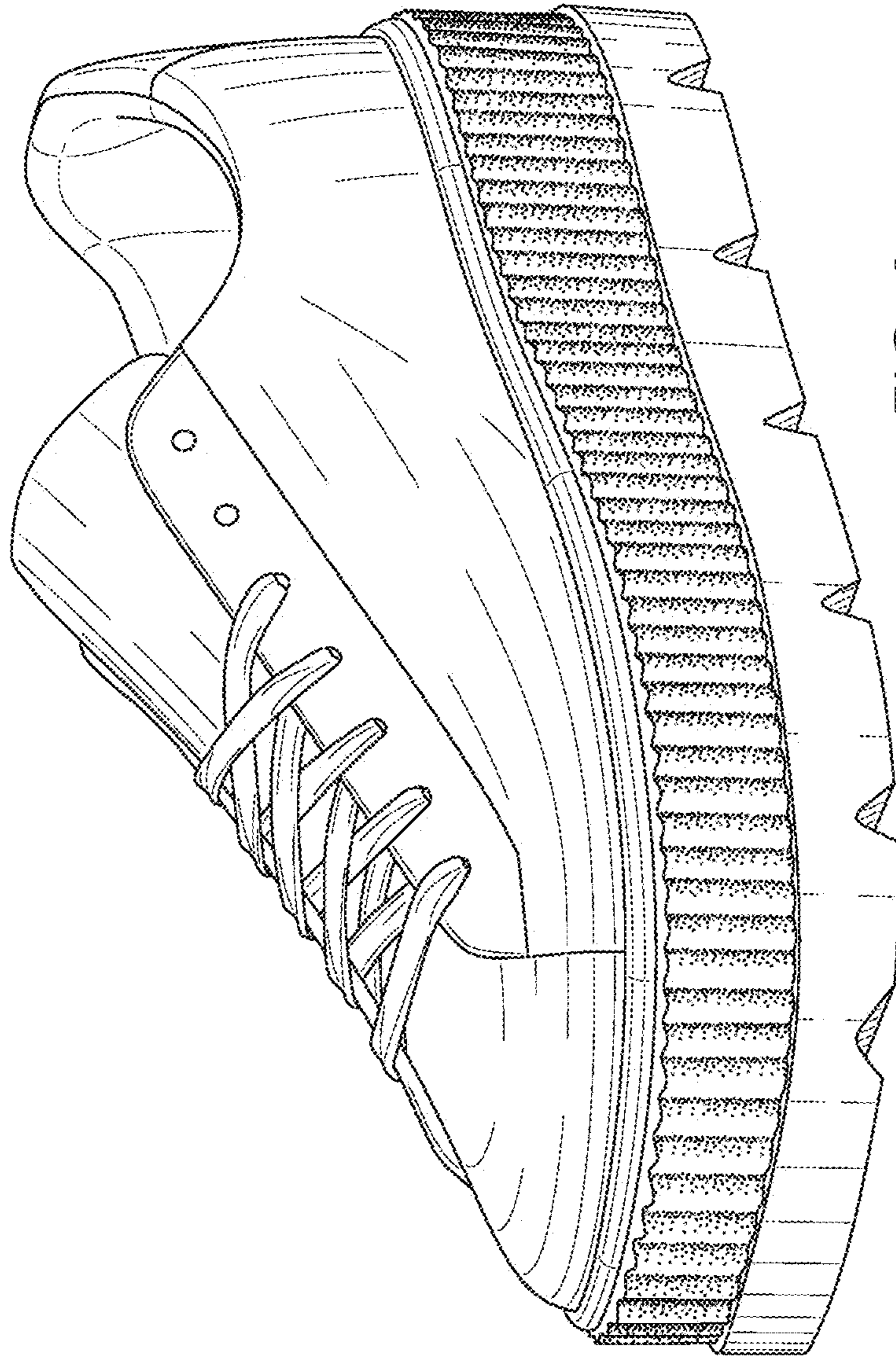


FIG. 1

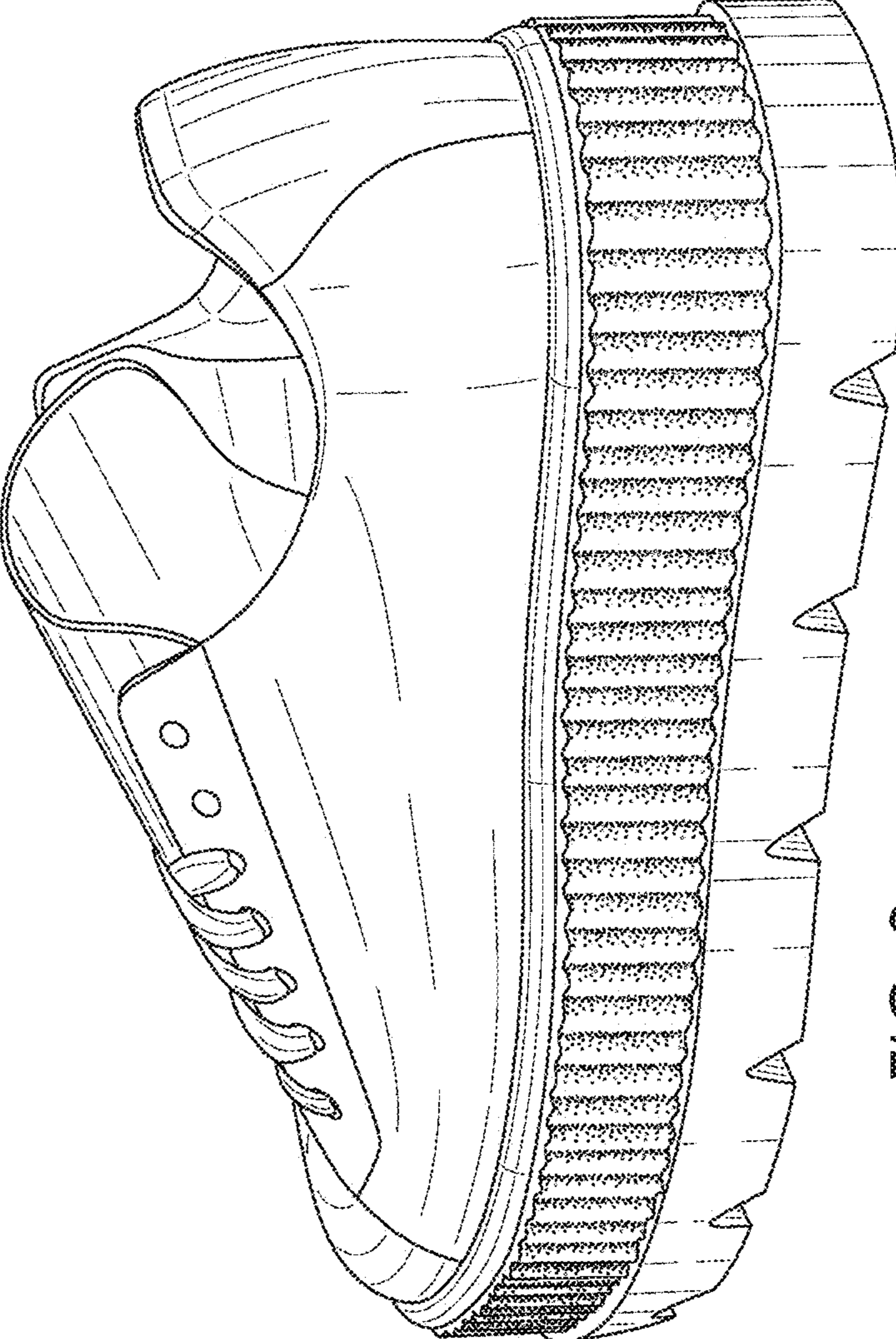


FIG. 2

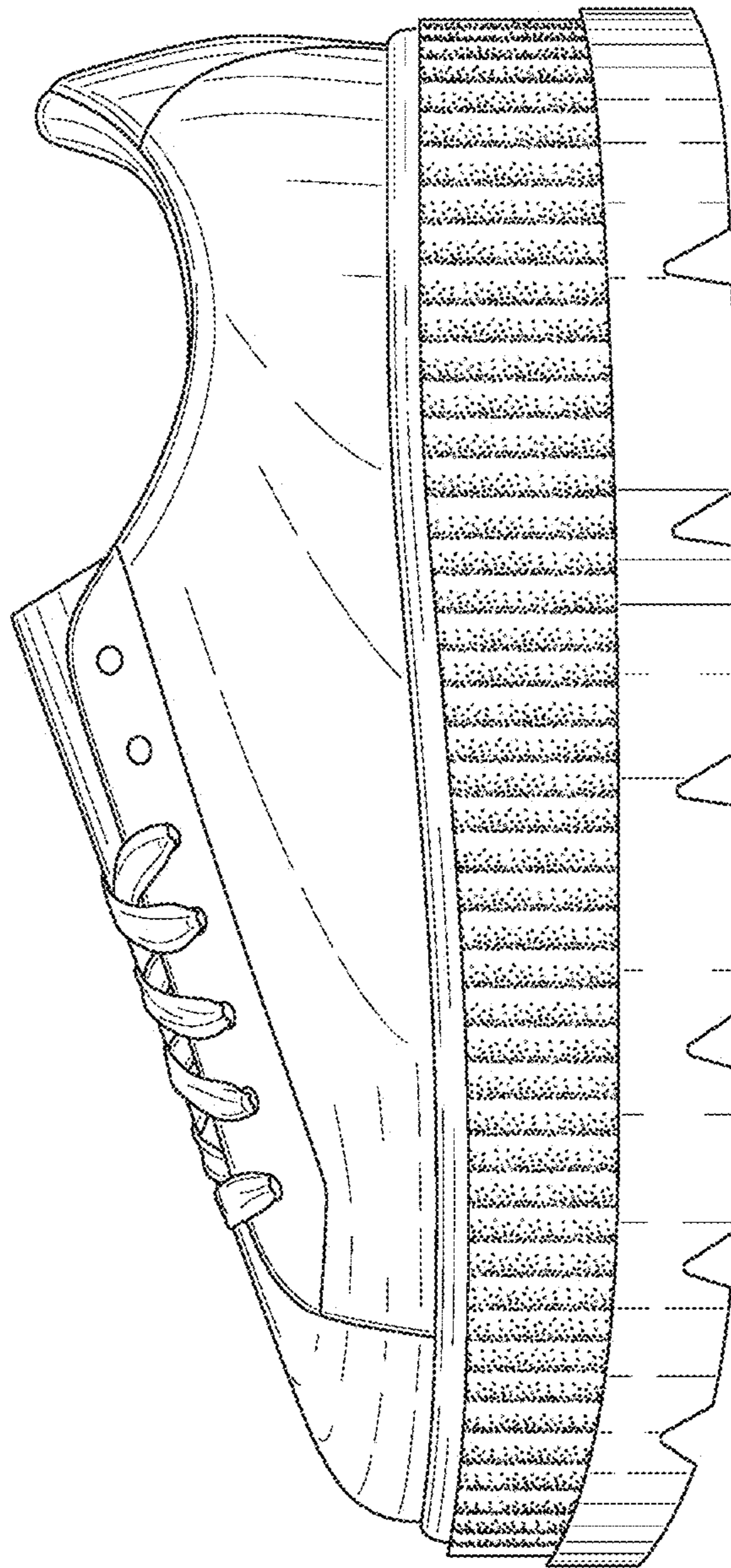


FIG. 3

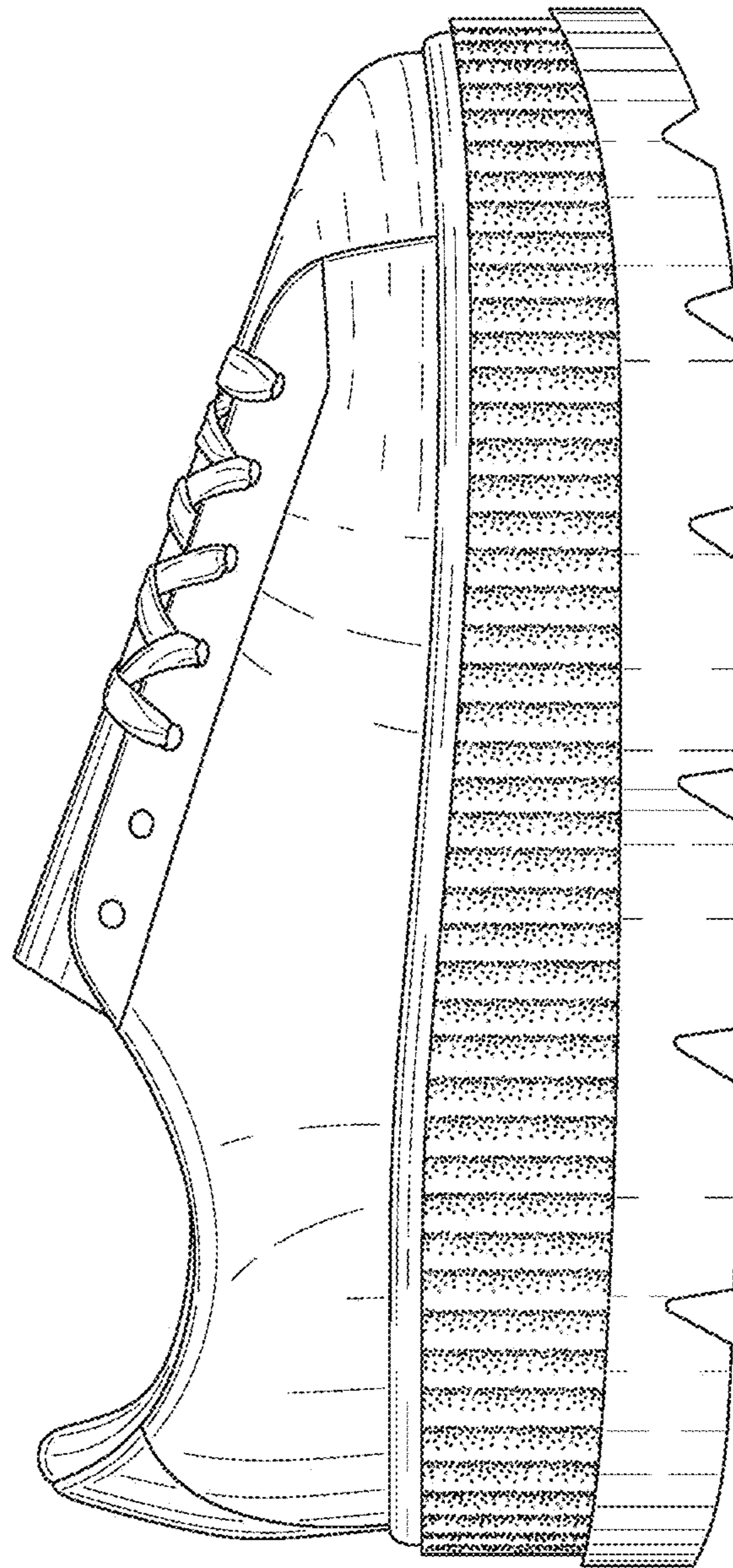


FIG. 4

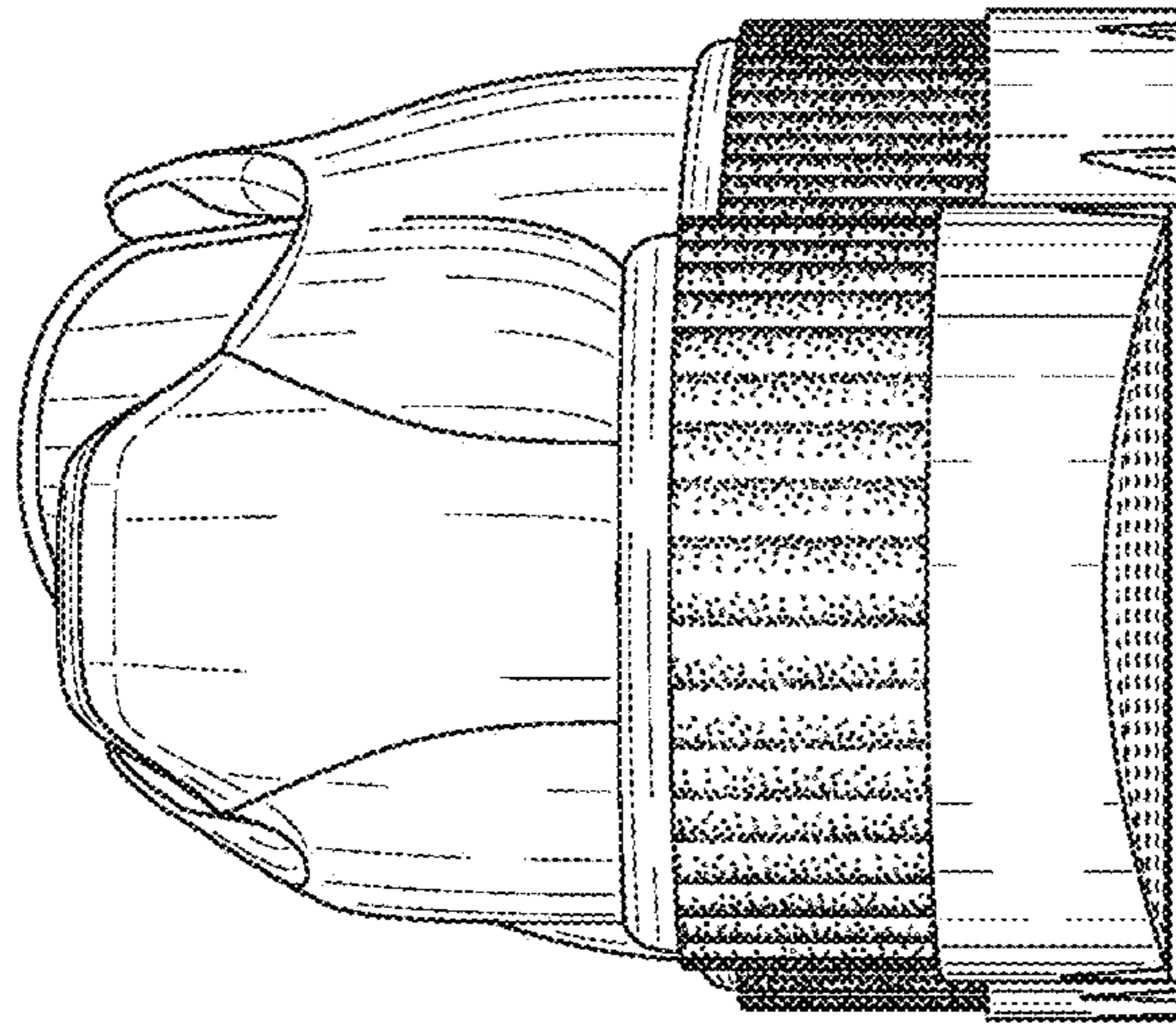


FIG. 5

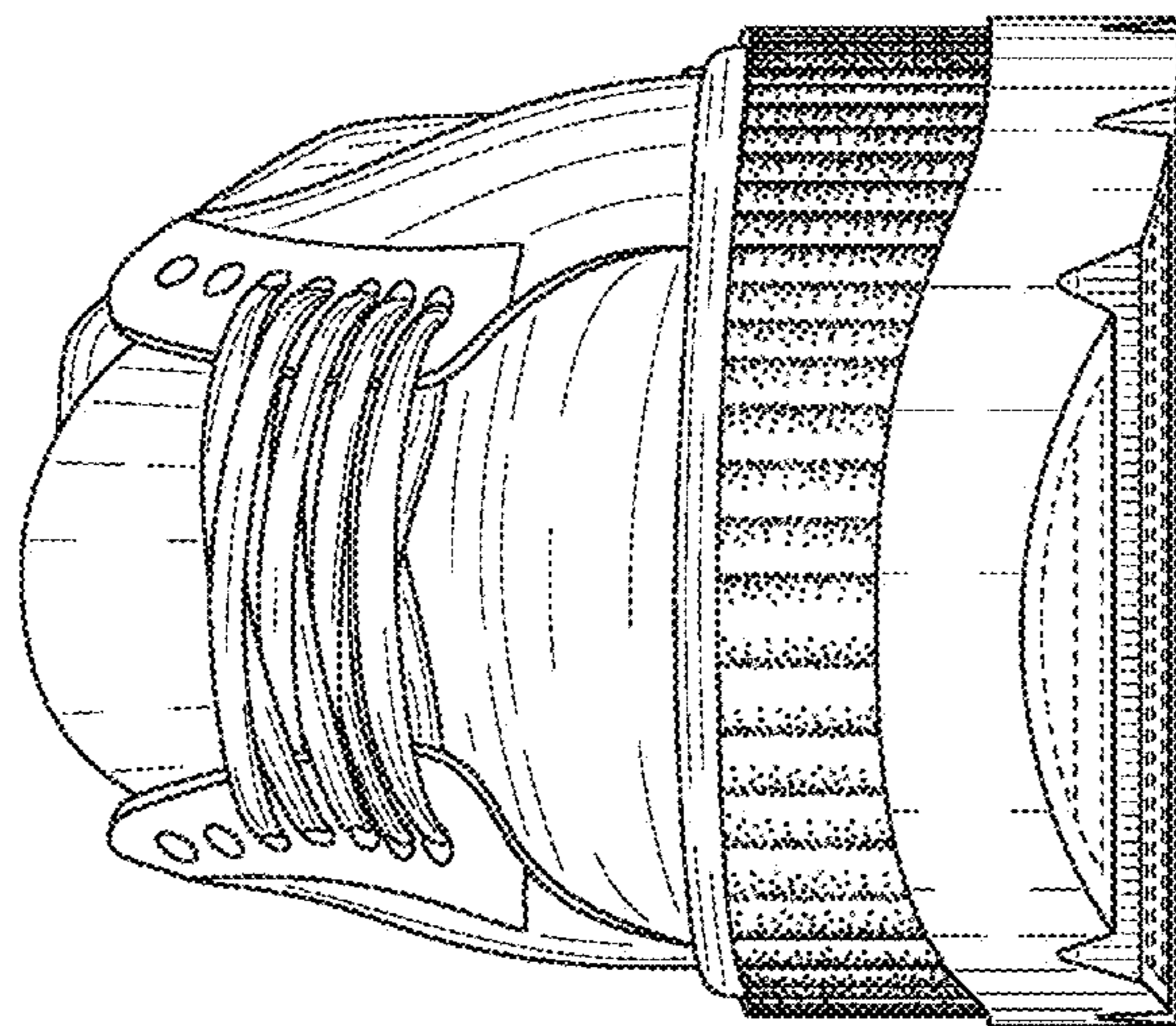


FIG. 6

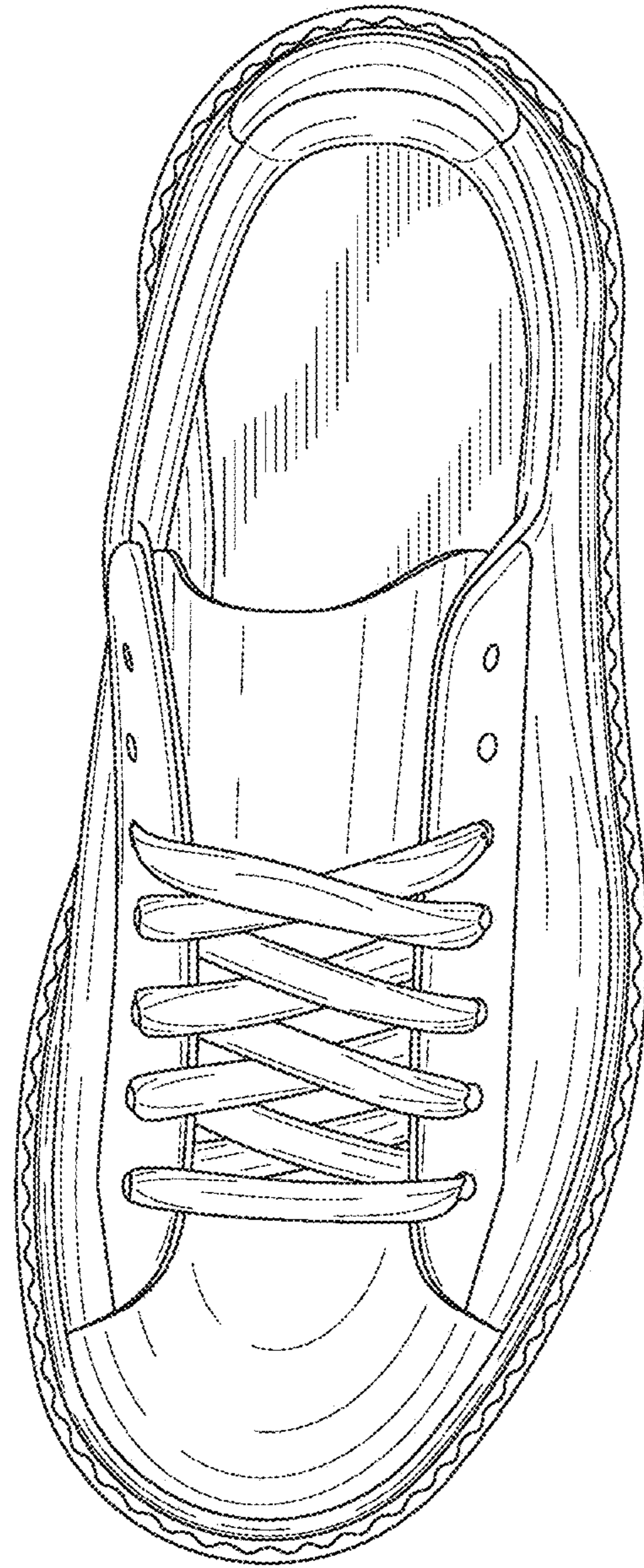


FIG. 7

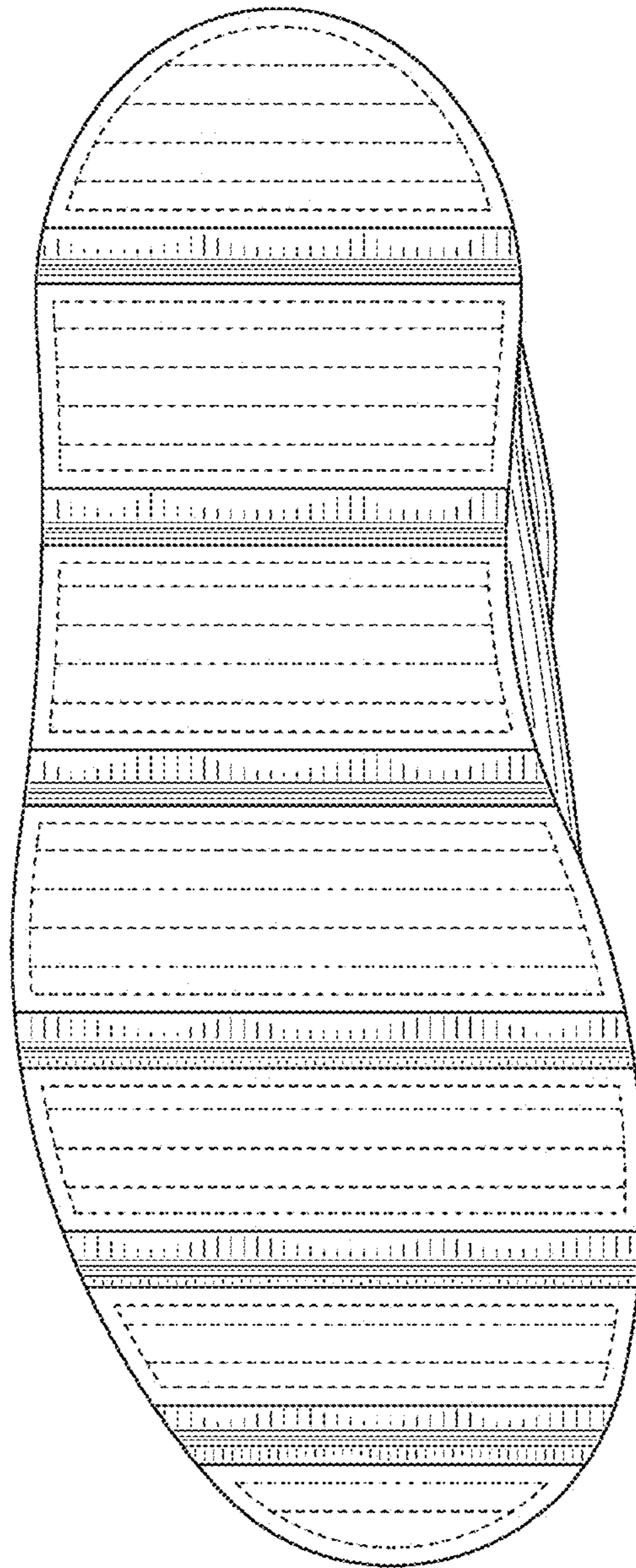


FIG. 8