



US00D887679S

(12) **United States Design Patent**  
**Matturro**

(10) **Patent No.:** **US D887,679 S**  
(45) **Date of Patent:** **\*\* Jun. 23, 2020**

(54) **PONCHO**

(71) Applicant: **Melissa Matturro**, Nutley, NJ (US)

(72) Inventor: **Melissa Matturro**, Nutley, NJ (US)

(\*\*) Term: **15 Years**

(21) Appl. No.: **29/679,673**

(22) Filed: **Feb. 8, 2019**

(51) **LOC (12) Cl.** ..... **02-02**

(52) **U.S. Cl.**  
USPC ..... **D2/825**

(58) **Field of Classification Search**  
USPC ..... D2/728, 739, 758, 823, 824, 825, 840,  
D2/841  
CPC ..... A41B 1/00; A41C 3/04; A41D 1/215  
See application file for complete search history.

(56) **References Cited**

**U.S. PATENT DOCUMENTS**

D315,243 S	3/1991	Ciabattari	
D384,787 S	10/1997	Sampogna	
D430,721 S	9/2000	Beauchan	
D454,677 S	3/2002	Peters	
D455,248 S	4/2002	Corrie	
D475,838 S *	6/2003	York	D2/864
7,549,179 B1 *	6/2009	Saied	A41D 13/0012 2/114
D630,820 S *	1/2011	Wilson	A41D 13/0012 D2/826
D637,771 S	5/2011	Gruber	
D684,409 S *	6/2013	Juarez	D6/603
D686,802 S *	7/2013	Washington	D2/861
D690,078 S *	9/2013	Anderson	D2/720
8,578,515 B1 *	11/2013	Petersen	A41D 11/00 2/69.5
D721,467 S *	1/2015	Tref	A41D 11/00 D2/724

9,826,787 B2	11/2017	Wu	
D839,539 S *	2/2019	Jones	D2/719
D861,289 S *	10/2019	Ngan	D2/719
2005/0108804 A1	5/2005	Bush	
2010/0170024 A1	7/2010	Seter	

**FOREIGN PATENT DOCUMENTS**

CN	302912450	*	8/2014	2/2
GB	2558168 A		7/2018	

**OTHER PUBLICATIONS**

Raincoat with Ears, announced 2014 [online], [site visited Apr. 15, 2020]. Available from internet, URL: <<https://view.publitas.com/angelwholesale/back-to-school-2015/page/1>> (Year: 2014).\*

(Continued)

*Primary Examiner* — Kevin K Rudzinski

*Assistant Examiner* — Amber J Rabie

(74) *Attorney, Agent, or Firm* — Gearhart Law LLC

(57) **CLAIM**

The ornamental design for a poncho, as shown and described.

**DESCRIPTION**

FIG. 1 is a perspective view of the poncho.

FIG. 2 is a front view thereof.

FIG. 3 is a left side view thereof.

FIG. 4 is a back view thereof.

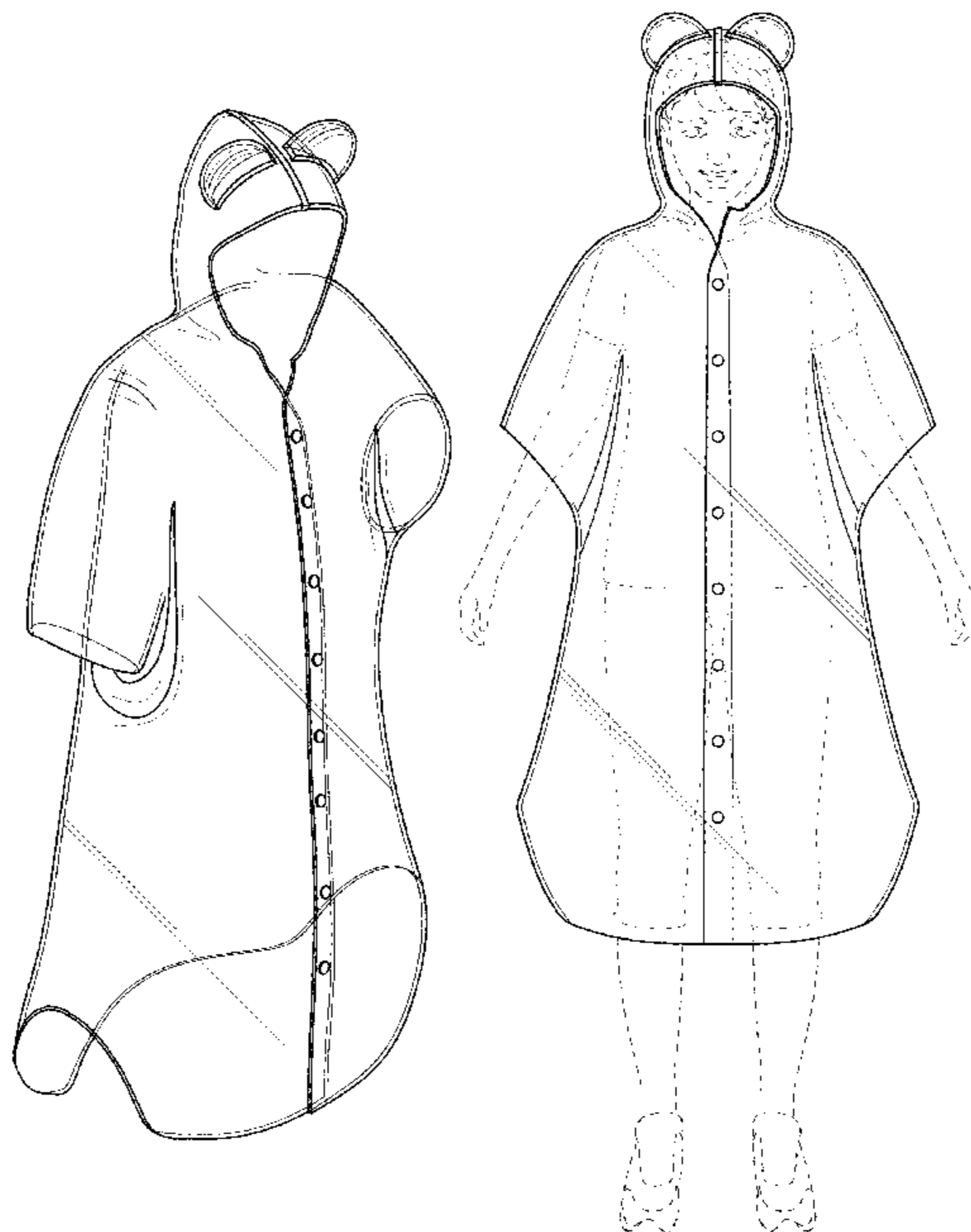
FIG. 5 is a right side view thereof.

FIG. 6 is a top view thereof; and,

FIG. 7 is an enlarged front view thereof highlighting a hooded portion of the poncho.

The dashed lines shown in FIGS. 2 and 7 are used to illustrate the environment and thus form no part of the claimed design.

**1 Claim, 4 Drawing Sheets**



(56)

**References Cited**

OTHER PUBLICATIONS

Poncho with 3D Ears, announced 2015 [online], [site visited Apr. 15, 2020]. Available from internet, URL: <<https://view.publitas.com/angelwholesale/back-to-school-2015/page/1>> (Year: 2015).\*

Poncho Raincoat, posted 2018 [online], [site visited Apr. 15, 2020]. Available from internet, URL: <https://sg.carousell.com/p/cotton-on-make-it-rain-poncho-raincoat-cat-ears-104795045/>> (Year: 2018).\*

Poncho Costume, posted 2018 [online], [site visited Apr. 15, 2020]. Available from internet, URL: <<https://www.amazon.com/Adult-Poncho-Costume-Potter-Minnie/dp/B07HZ4K36Z?th=1>> (Year: 2018).\*

\* cited by examiner

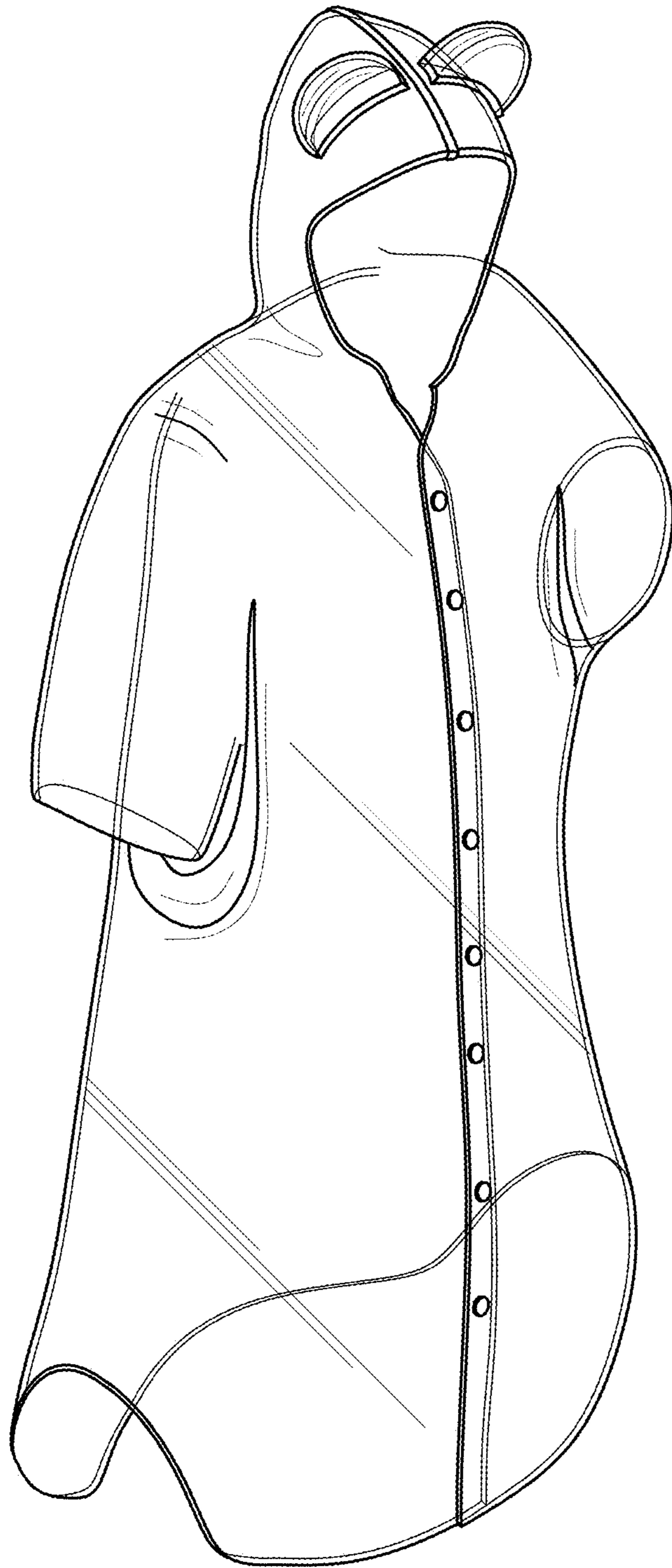


FIG. 1

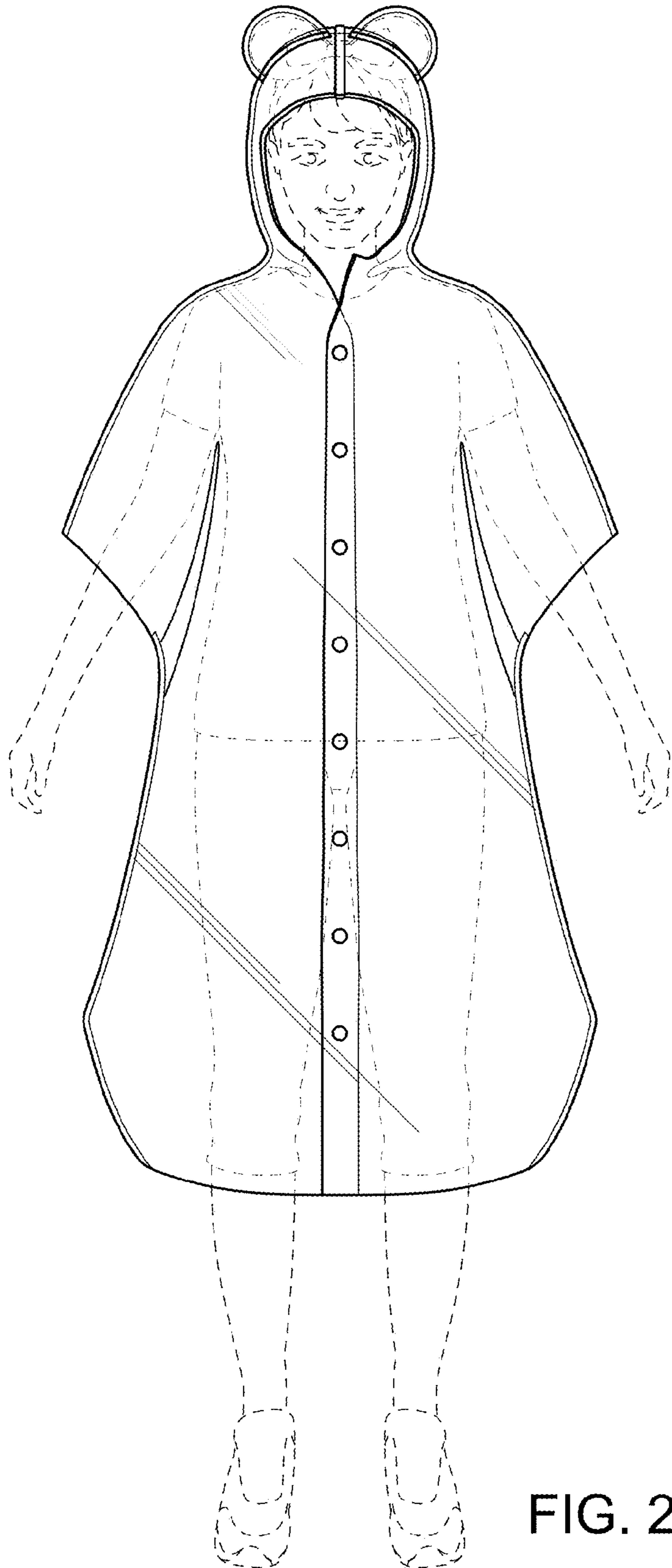


FIG. 2

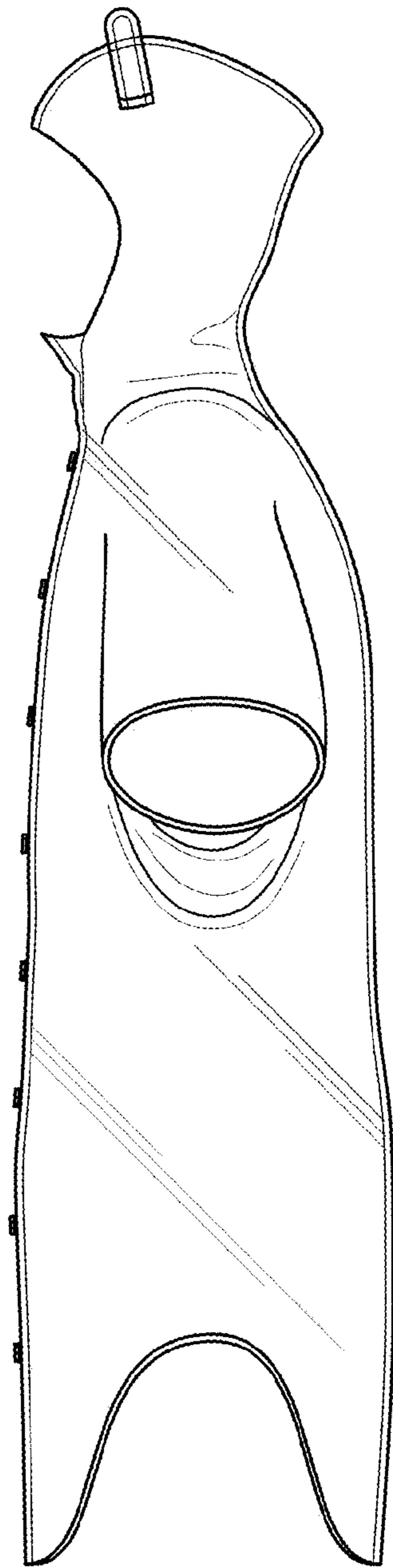


FIG. 3



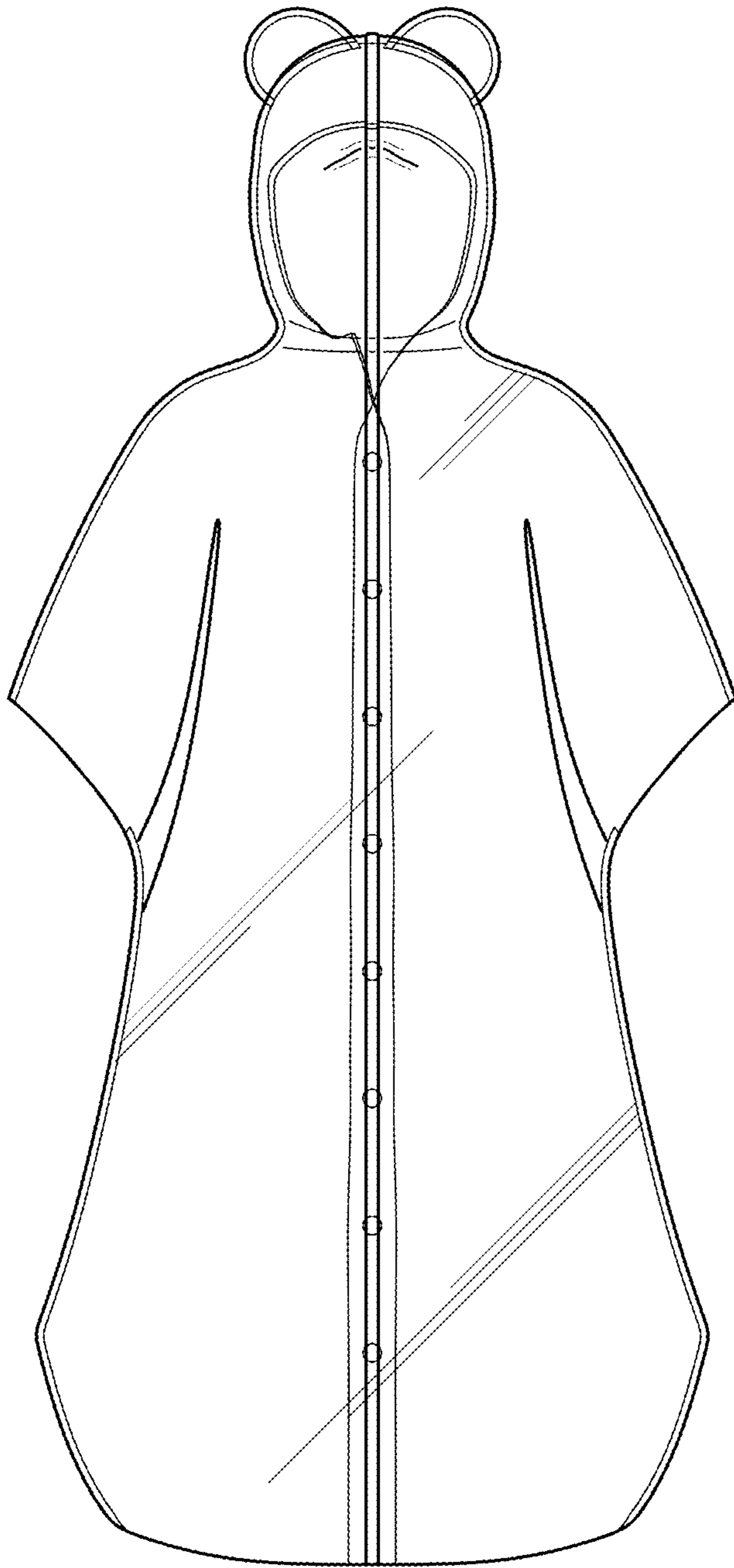


FIG. 4

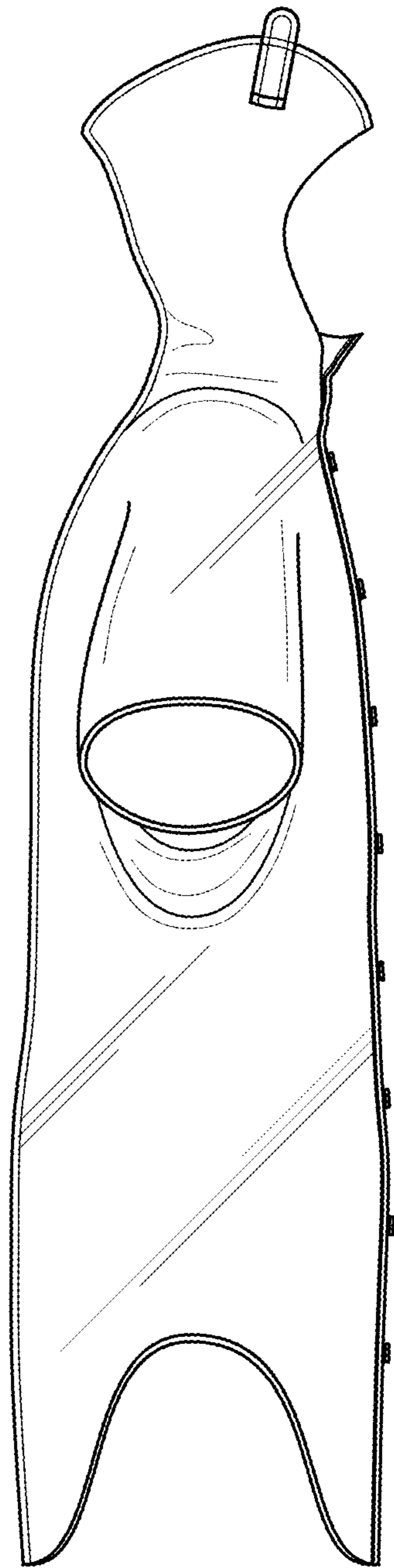


FIG. 5

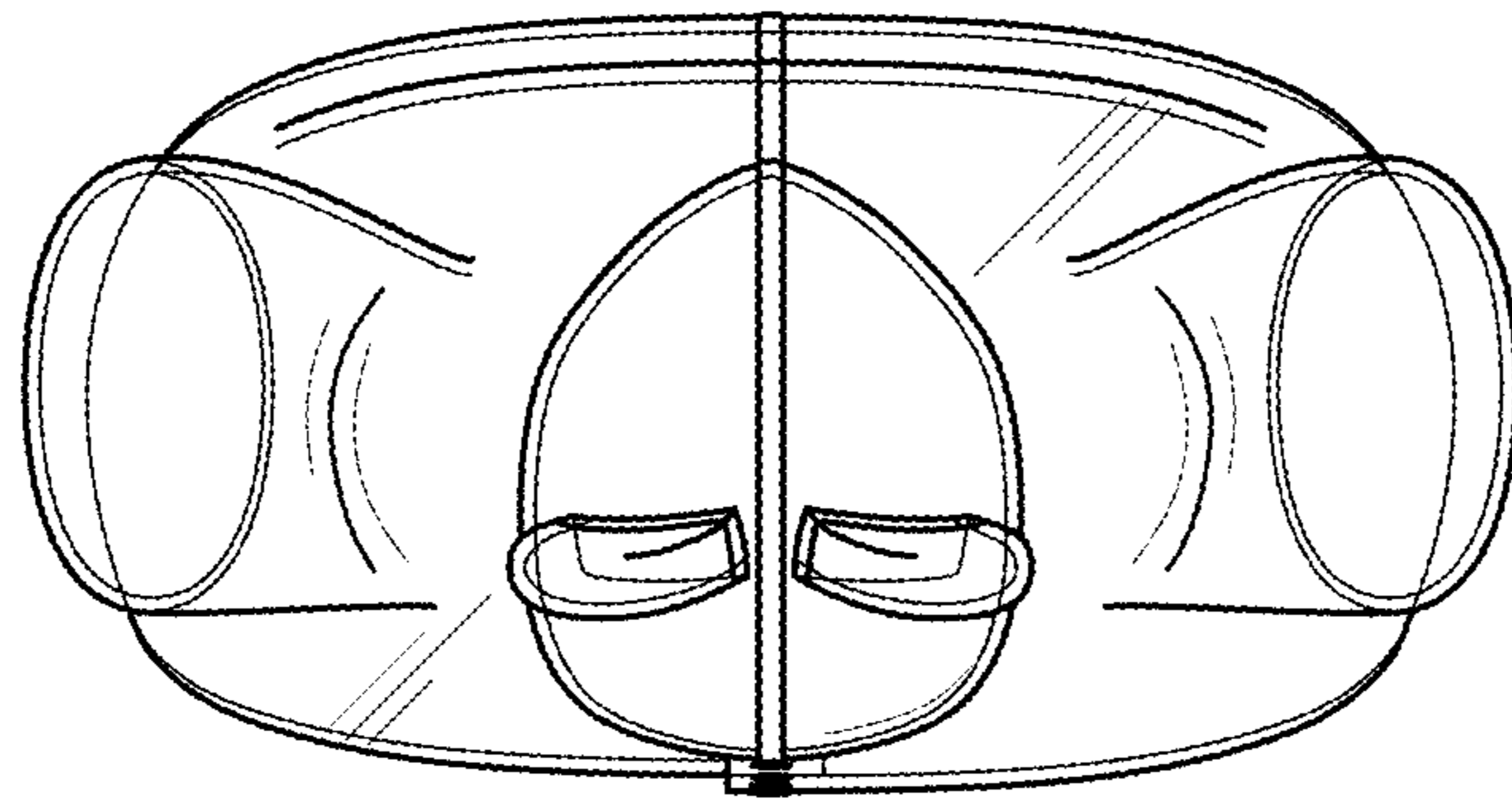


FIG. 6

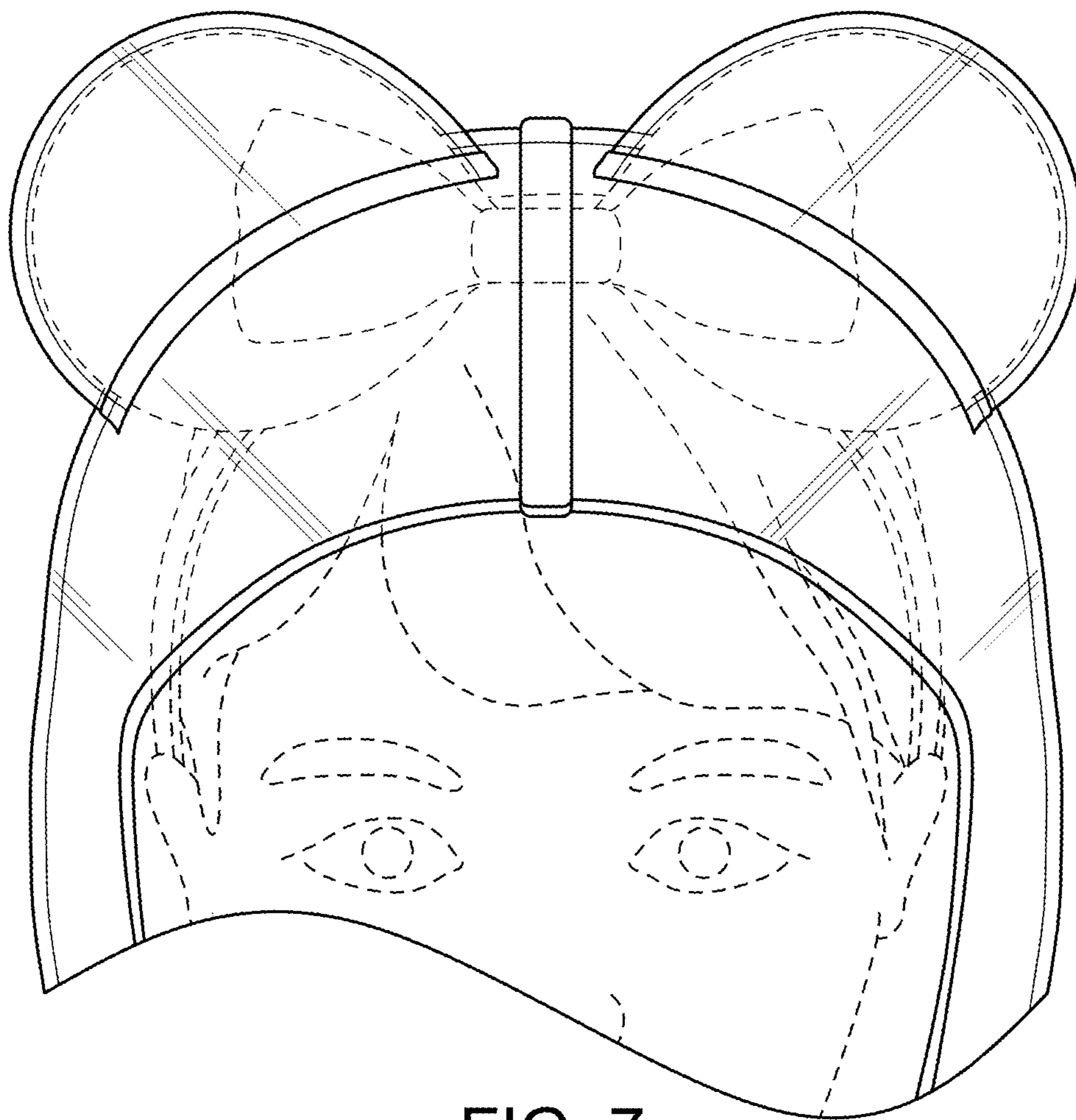


FIG. 7