



US00D887673S

(12) **United States Design Patent** (10) **Patent No.:** **US D887,673 S**
Burnett et al. (45) **Date of Patent:** **** Jun. 23, 2020**

(54) **COMPRESSION SHIRT**

(71) Applicants: **Stephen L Burnett**, Manhattan Beach, CA (US); **Jeffrey M Herdman, Jr.**, Manhattan Beach, CA (US)

(72) Inventors: **Stephen L Burnett**, Manhattan Beach, CA (US); **Jeffrey M Herdman, Jr.**, Manhattan Beach, CA (US)

(73) Assignee: **DFND, LLC**, El Segundo, CA (US)

(**) Term: **15 Years**

(21) Appl. No.: **29/635,875**

(22) Filed: **Feb. 4, 2018**

(51) **LOC (12) Cl.** **02-02**

(52) **U.S. Cl.**
USPC **D2/717; D2/731**

(58) **Field of Classification Search**
USPC D2/717, 840, 728, 731
CPC A41B 1/00; A41B 1/08; A41B 9/06; A41B 1/12

See application file for complete search history.

(56) **References Cited**

U.S. PATENT DOCUMENTS

D614,834 S *	5/2010	Rhodes	D2/717
D640,858 S *	7/2011	Hall	D2/717
D689,258 S *	9/2013	DeLeon	D2/717
D692,639 S *	11/2013	Baxa	D2/717
D776,403 S *	1/2017	Sabala	D2/717
D791,443 S *	7/2017	Zenoff	D2/717
D797,409 S *	9/2017	Yadrich	D2/840
D799,795 S *	10/2017	Moore	D2/840
D843,686 S *	3/2019	Keppler	D2/717
D848,119 S *	5/2019	Litos	D2/840
D851,365 S *	6/2019	Goulet	D2/840
2006/0225183 A1 *	10/2006	Khavulya	A41B 9/06 2/113
2014/0317826 A1 *	10/2014	Decker	A41B 1/08 2/69
2017/0303599 A1 *	10/2017	Madine	A41D 1/04
2019/0174834 A1 *	6/2019	Gaskins	A41B 1/12

OTHER PUBLICATIONS

https://www.amazon.com/Neleus-Athletic-Baselayer-Compression-Sleeve/dp/B01MXV6220/ref=sr_1_15?crd=AL3AFHBRTQMF&keywords=neleus+men%27s+3+pack+compression+short&id=1562606465&s=apparel&sprefix=Nel%2Cfashion%2C142&sr=1-15 (Year: 2015).*

* cited by examiner

Primary Examiner — Manpreet S Matharu

Assistant Examiner — J. Thorn, Sr.

(74) *Attorney, Agent, or Firm* — Sandra Poteat Thompson; Finlayson Toffer Roosevelt & Lilly LLP

(57) **CLAIM**

The ornamental design for a compression shirt, as shown and described.

DESCRIPTION

FIG. 1 shows the front side perspective of a compression shirt of the invention.

FIG. 2 shows the side perspective of a compression shirt of the invention.

FIG. 3 shows the back side perspective of a compression shirt of the invention.

FIG. 4 shows the front side perspective of a compression shirt of the invention.

FIG. 5 shows the side perspective of a compression shirt of the invention.

FIG. 6 shows the back side perspective of a compression shirt of the invention.

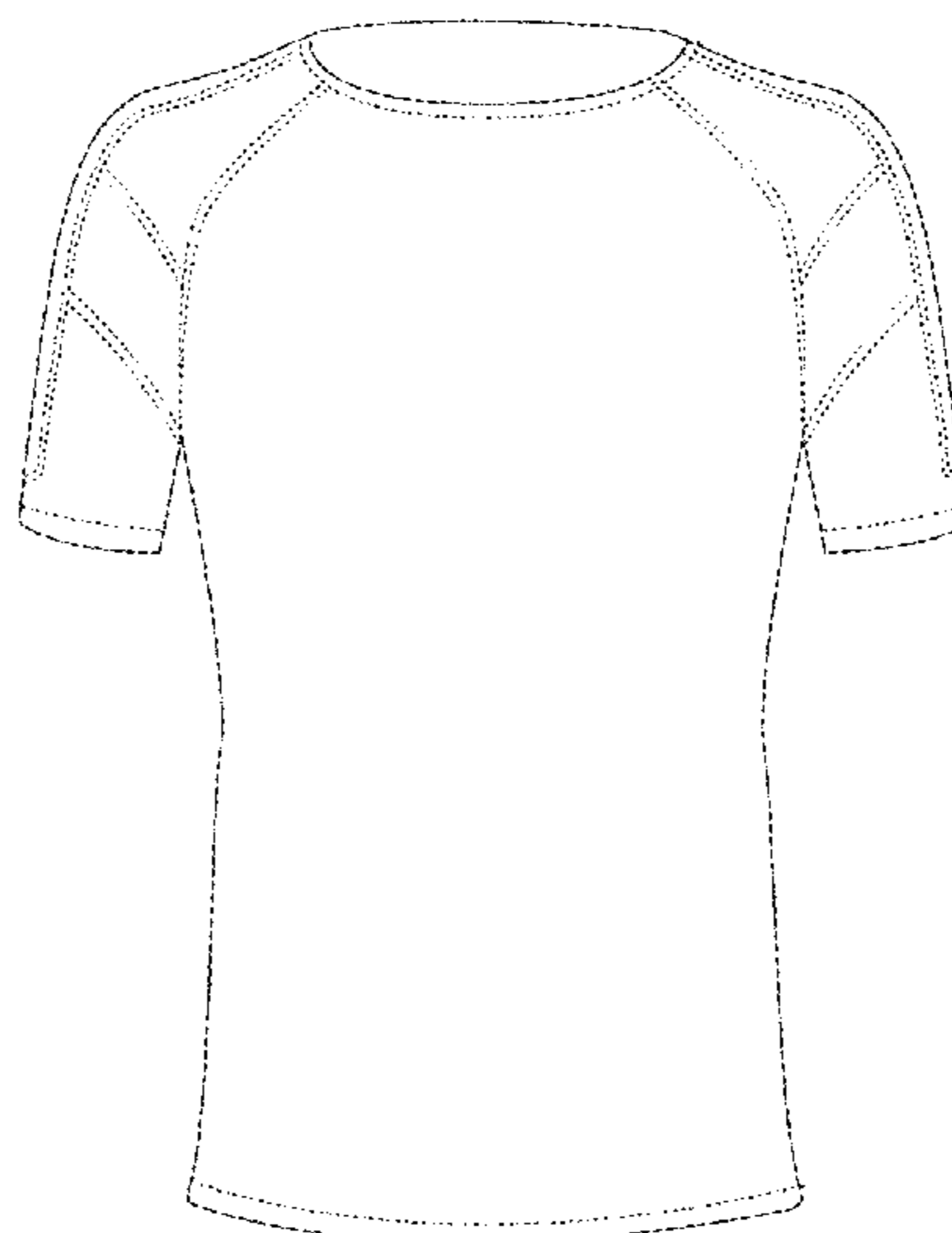
FIG. 7 shows the front side perspective of a compression shirt of the invention.

FIG. 8 shows the side perspective of a compression shirt of the invention; and,

FIG. 9 shows the back side perspective of a compression shirt of the invention.

The broken lines shown in the drawings represent stitching in the fabric and form part of the claimed design.

1 Claim, 3 Drawing Sheets



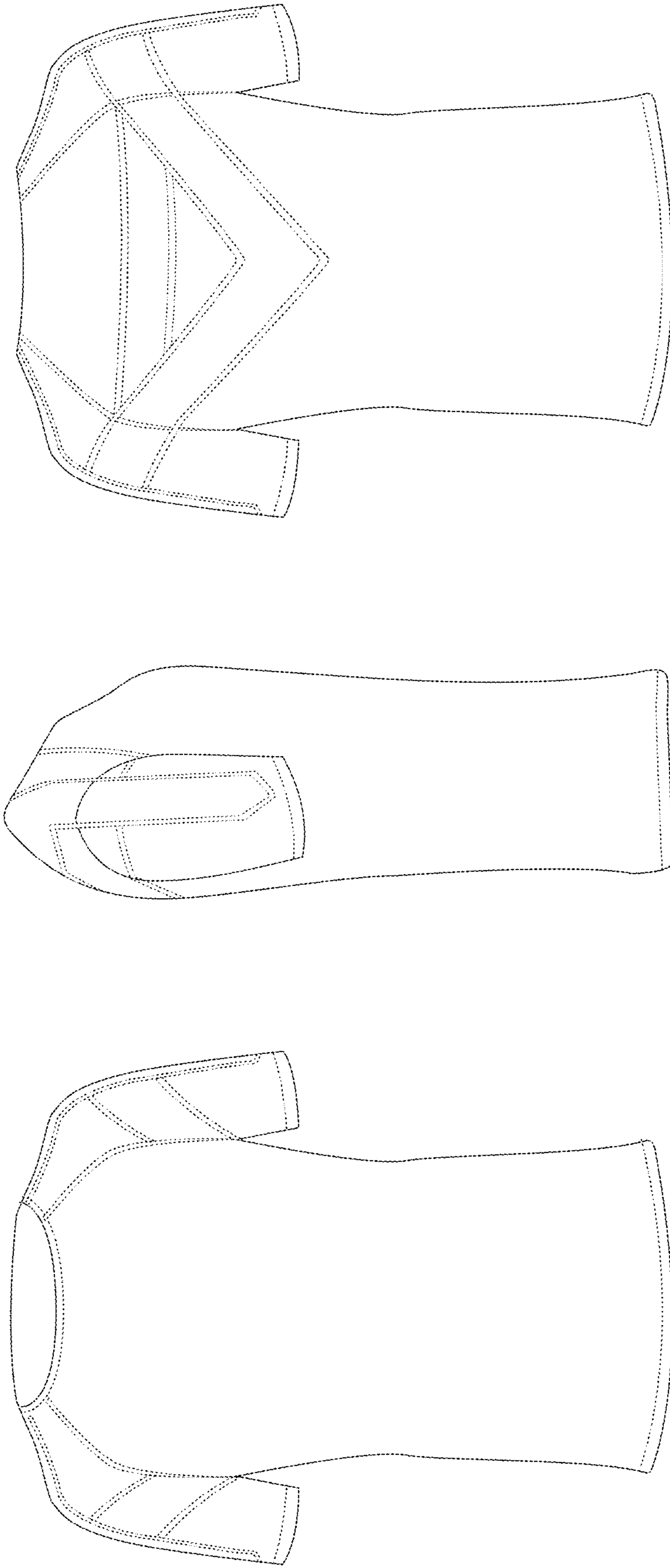


Figure 1

Figure 2

Figure 3

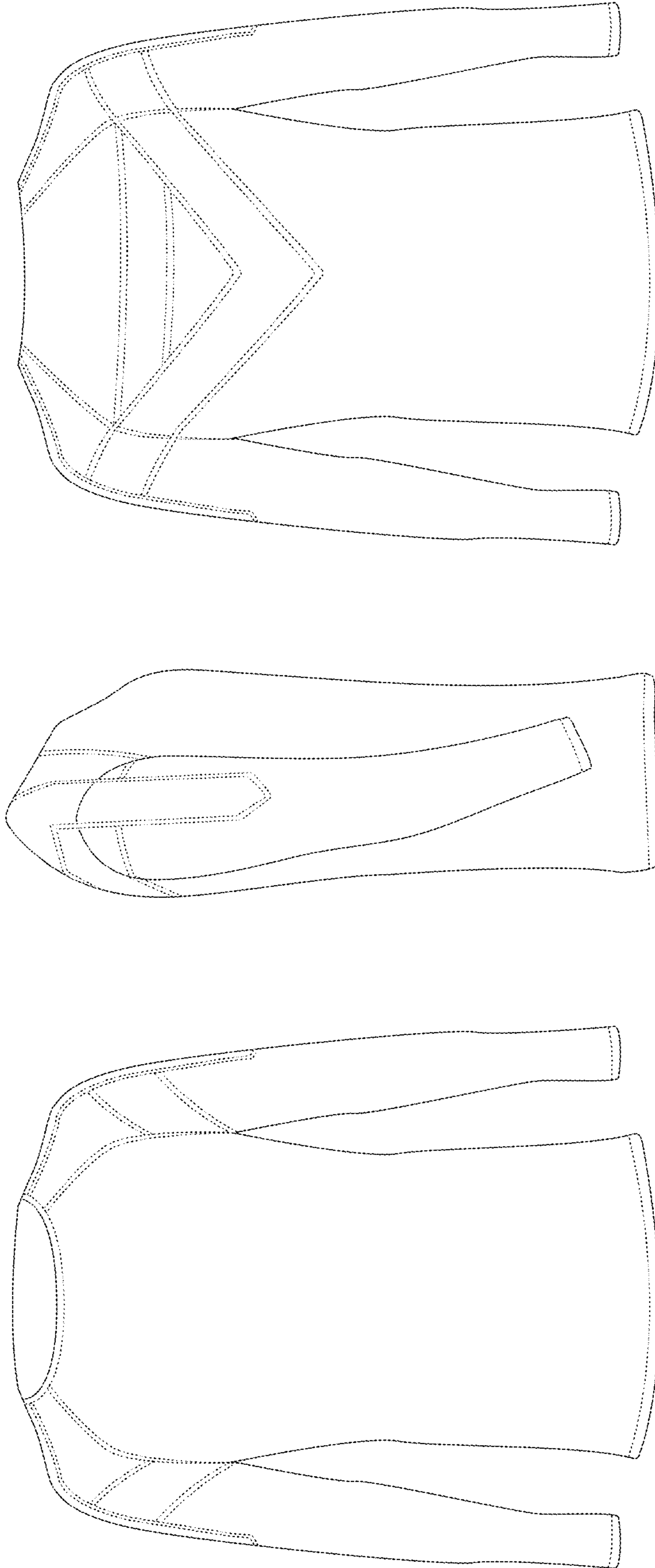


Figure 6

Figure 5

Figure 4

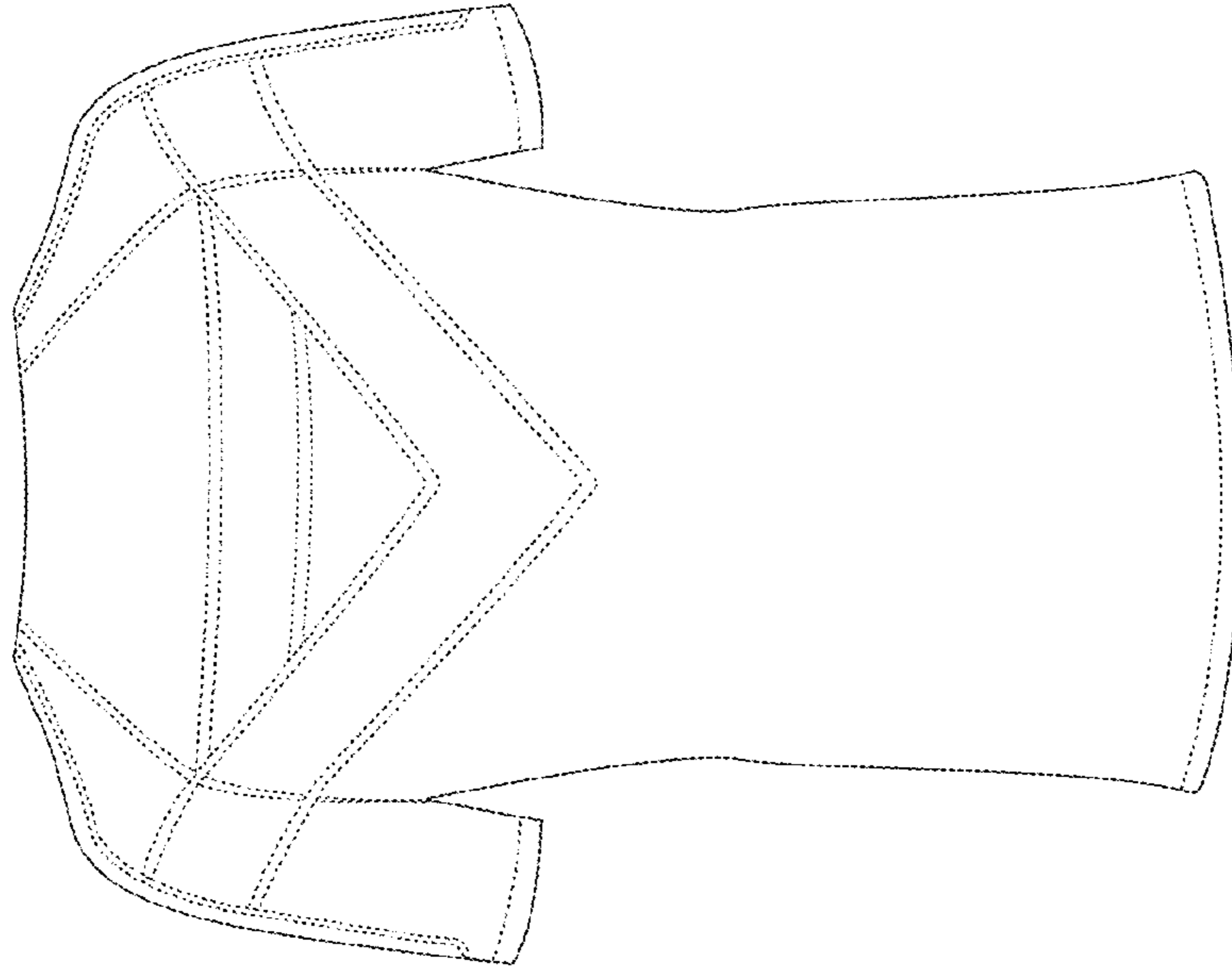


Figure 9

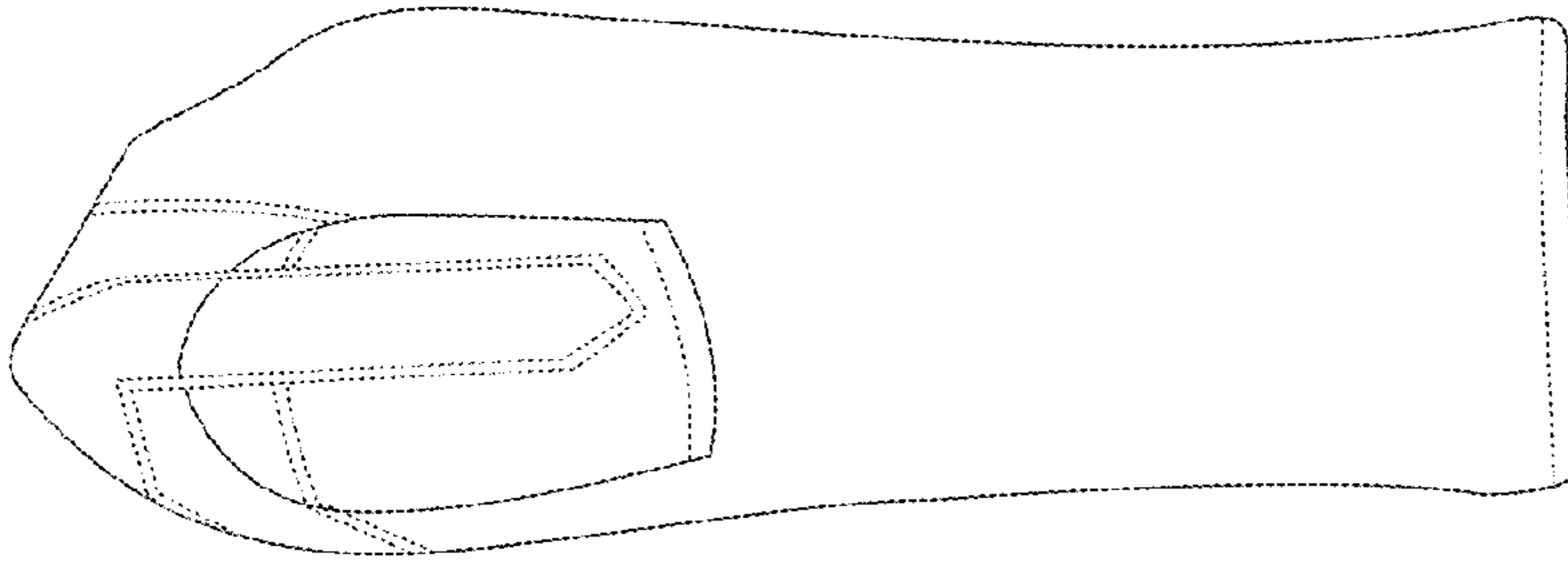


Figure 8

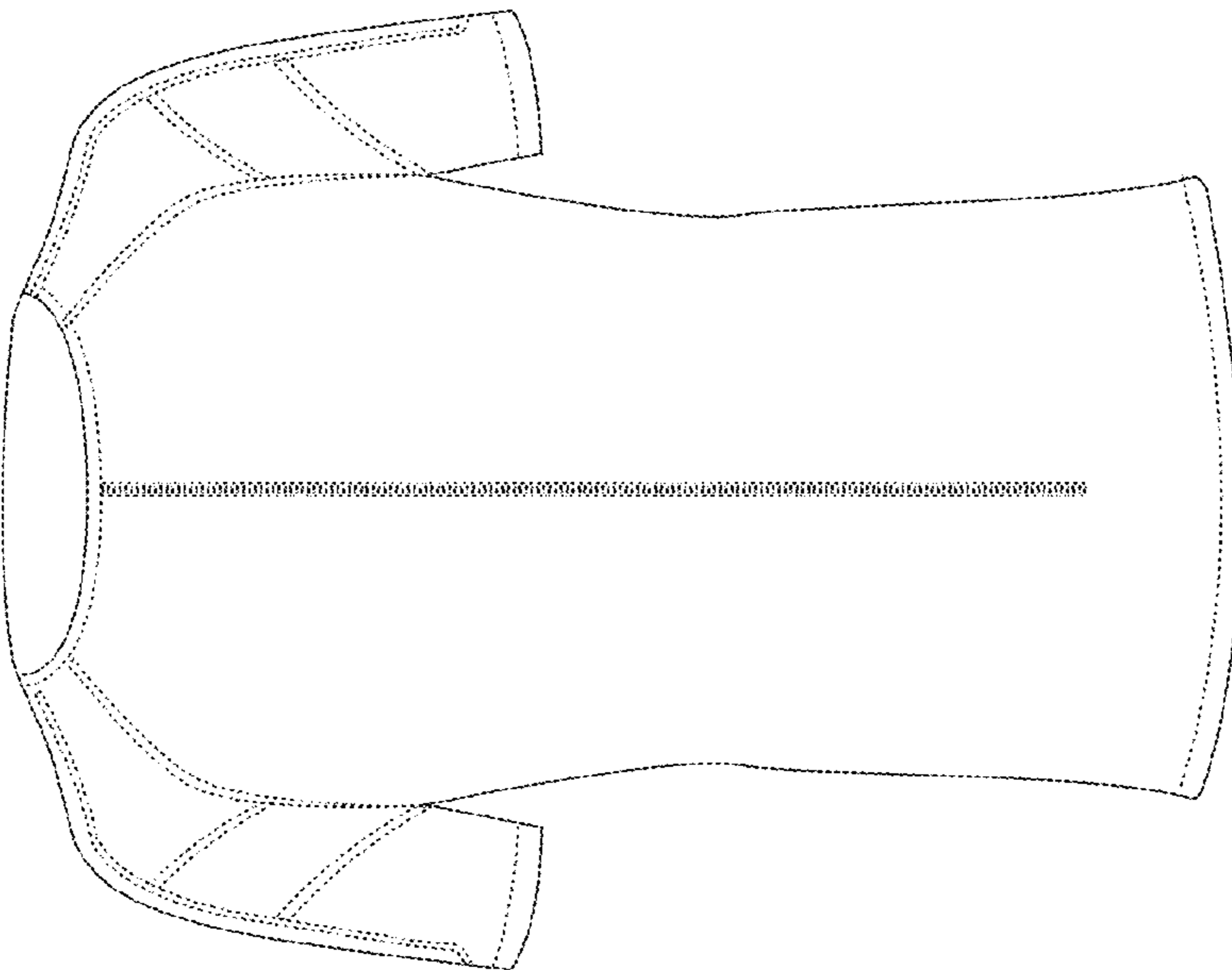


Figure 7