



US00D887668S

(12) **United States Design Patent** (10) **Patent No.:** **US D887,668 S**
Wolfe, Jr. et al. (45) **Date of Patent:** **** Jun. 23, 2020**

(54) **ANIMAL TREAT**
(71) Applicant: **Starmark Pet Products, Inc.**, Hutto, TX (US)
(72) Inventors: **Jerry J. Wolfe, Jr.**, Hutto, TX (US); **Harold Keith Benson**, Hutto, TX (US)
(73) Assignee: **Starkmark Pet Products, Inc.**, Hutto, TX (US)
(**) Term: **15 Years**

D496,136 S * 9/2004 Byrne D12/503
D510,787 S * 10/2005 Barron D1/120
D510,968 S * 10/2005 Coleman D21/710
D549,640 S * 8/2007 Karen D12/503
D552,534 S * 10/2007 Brummer D12/503
7,487,741 B2 * 2/2009 Jordan A01K 7/005
119/61.54
D603,926 S * 11/2009 Merker D21/803
D616,616 S * 5/2010 Byrne D30/160
D704,916 S * 5/2014 Toschi D1/102
D718,501 S * 11/2014 Byrne D30/160
D803,146 S * 11/2017 Kim D12/500
D856,610 S * 8/2019 Jew D30/160
D863,207 S * 10/2019 Francois D12/500

(Continued)

(21) Appl. No.: **29/683,655**

(22) Filed: **Mar. 14, 2019**

(51) **LOC (12) Cl.** **01-01**

(52) **U.S. Cl.**
USPC **D1/113; D1/127; D30/160**

(58) **Field of Classification Search**
USPC D1/102, 111, 113, 118, 120, 127, 199;
D30/675; D21/362, 390, 443, 707, 713,
D21/715; D12/500, 509; D7/675;
426/94, 103, 104, 134, 138, 249, 274,
426/275, 277, 279, 281-284, 292, 383,
426/391, 496, 514, 566, 572, 660;
119/702

CPC .. A23G 3/0031; A23G 3/0034; A23G 3/0036;
A23G 3/0059; A23G 3/00

See application file for complete search history.

(56) **References Cited**

U.S. PATENT DOCUMENTS

3,566,532 A * 3/1971 Wilson A63H 33/18
446/46
D429,480 S * 8/2000 Bonko D12/500
D436,428 S * 1/2001 Wolff D1/127
6,228,001 B1 * 5/2001 Johnson A63B 21/028
482/44
D444,614 S * 7/2001 Wolff D1/127
D447,316 S * 9/2001 Wolff D1/127

OTHER PUBLICATIONS

“Round Candy”, posted date unavailable [online], [retrieved Jan. 29, 2020]. Retrieved from internet, <https://www.featurepics.com/online/Round-Candy-Photograph191009.aspx>.*

(Continued)

Primary Examiner — Sandra S Snapp
Assistant Examiner — Mehri F Bajoul
(74) *Attorney, Agent, or Firm* — Russell Ng PLLC; Brian F. Russell

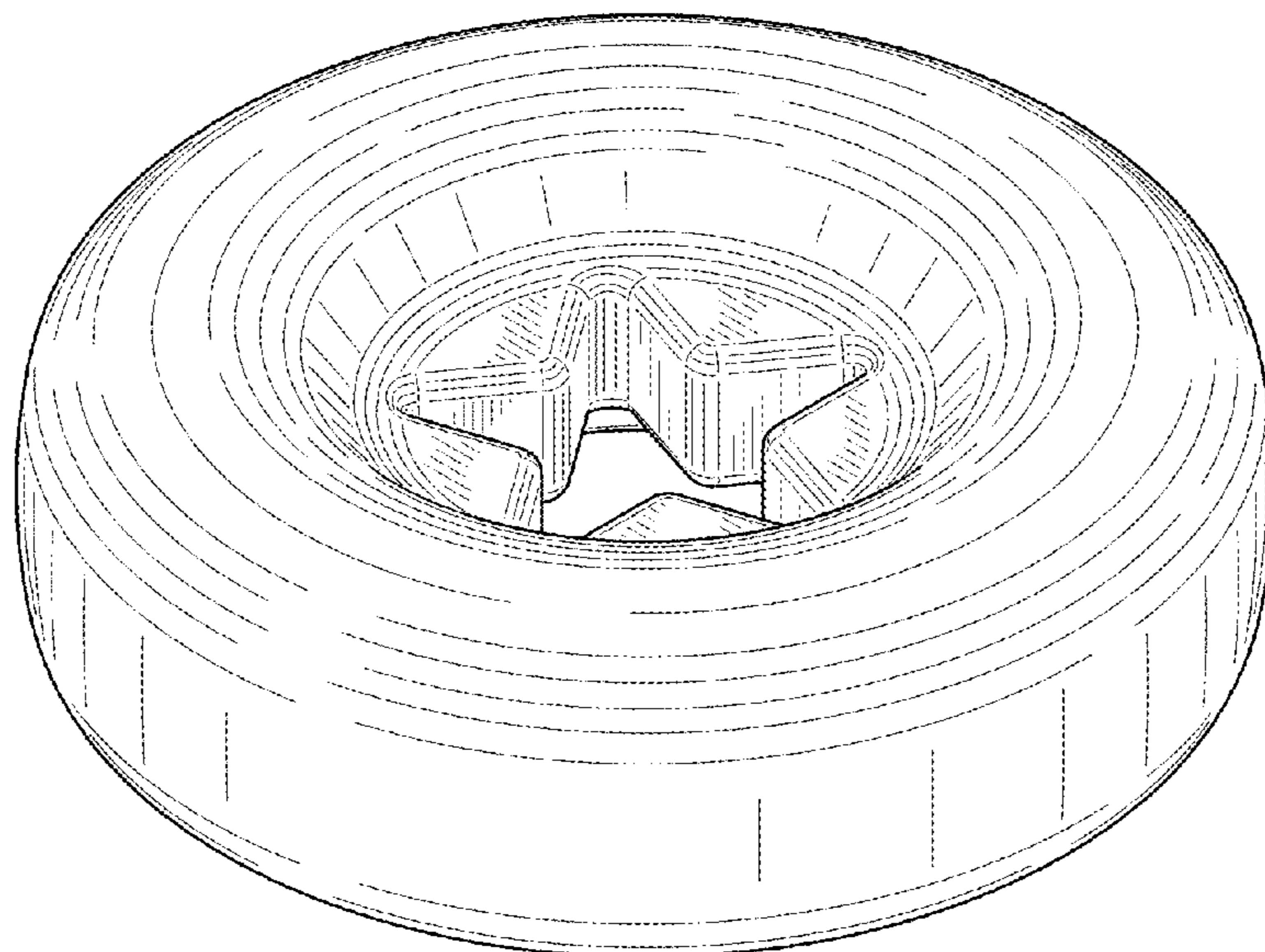
(57) **CLAIM**

The ornamental design for an animal treat, as shown and described.

DESCRIPTION

FIG. 1 is a perspective view of the animal treat.
FIG. 2 is a front elevation view of the animal treat.
FIG. 3 is a back elevation view of the animal treat.
FIG. 4 is a left side elevation view of the animal treat.
FIG. 5 is a right side elevation view of the animal treat.
FIG. 6 is a top plan view of the animal treat; and,
FIG. 7 is a bottom plan view of the animal treat.

1 Claim, 5 Drawing Sheets



(56)

References Cited

U.S. PATENT DOCUMENTS

D868,176 S * 11/2019 Sprowl D21/563

OTHER PUBLICATIONS

“Round tire Fondant Mold”, posted Jul. 1, 2017 [online], [retrieved Jan. 29, 2020]. Retrieved from internet, <https://tinyurl.com/yxy4zgdq>.*

“Fancy land donut”, posted 2017 [online], [retrieved Jan. 29, 2020]. Retrieved from internet, <https://tinyurl.com/ulsh3nk>.*

* cited by examiner

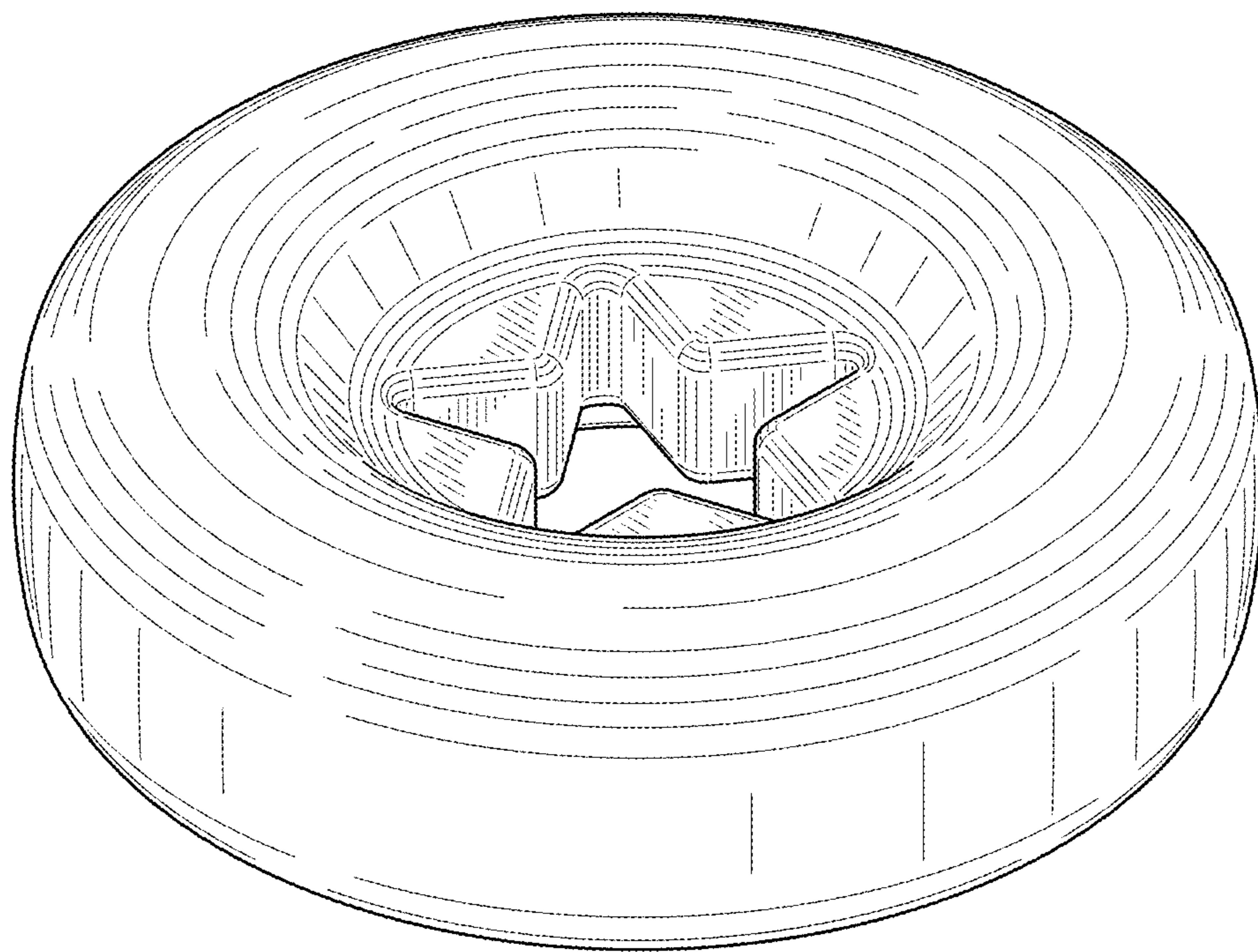


FIG. 1

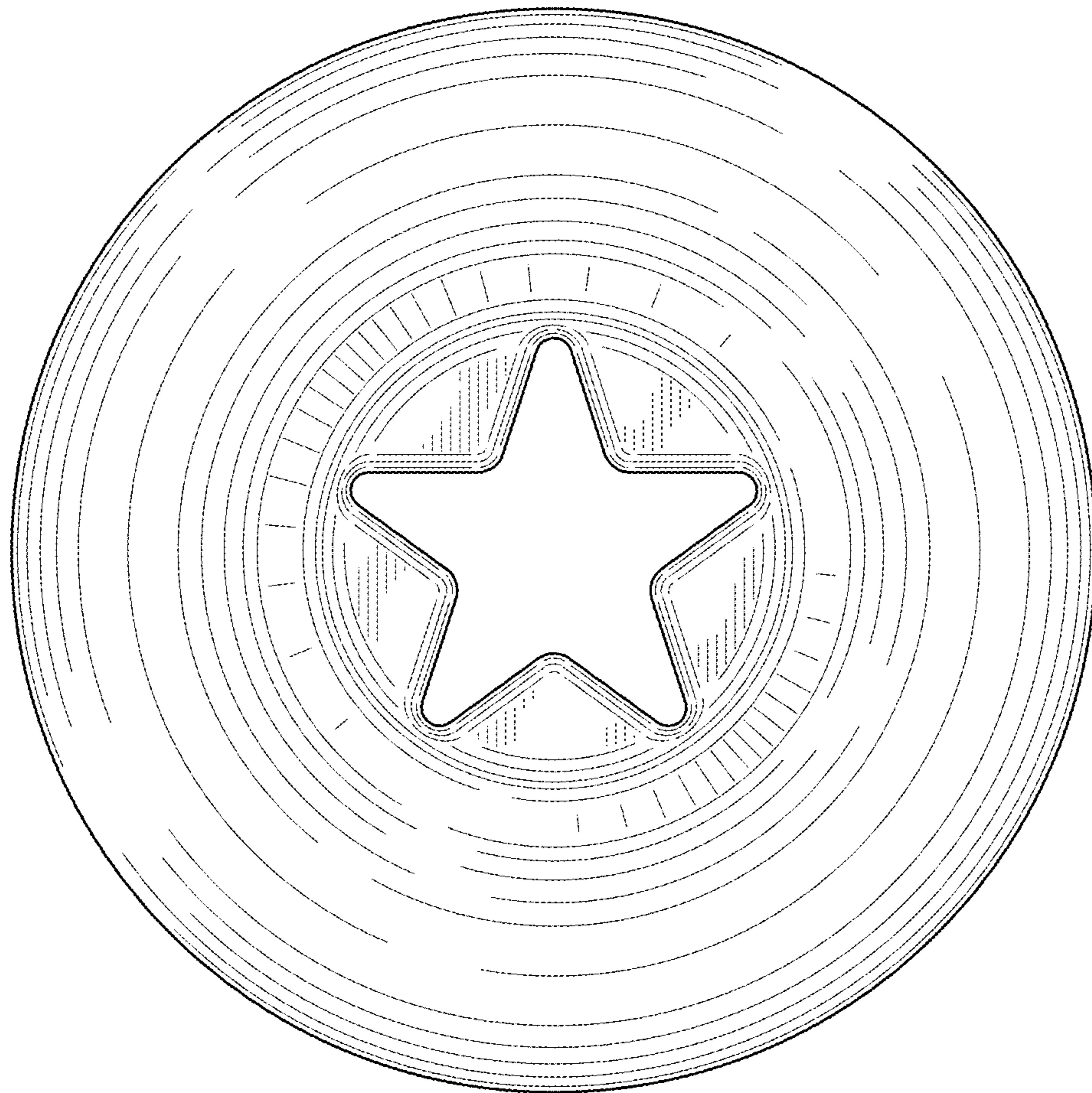


FIG. 2

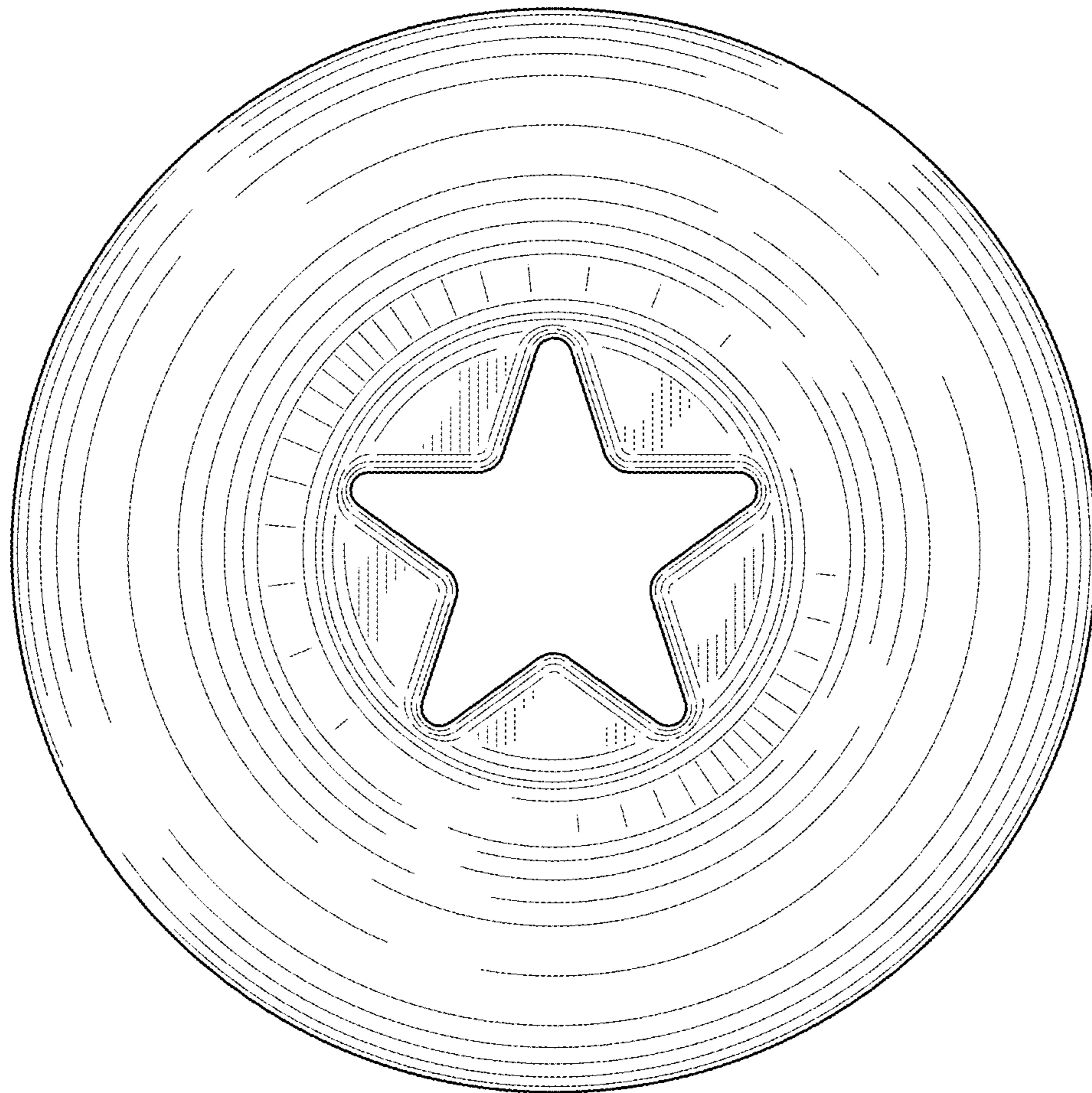


FIG. 3

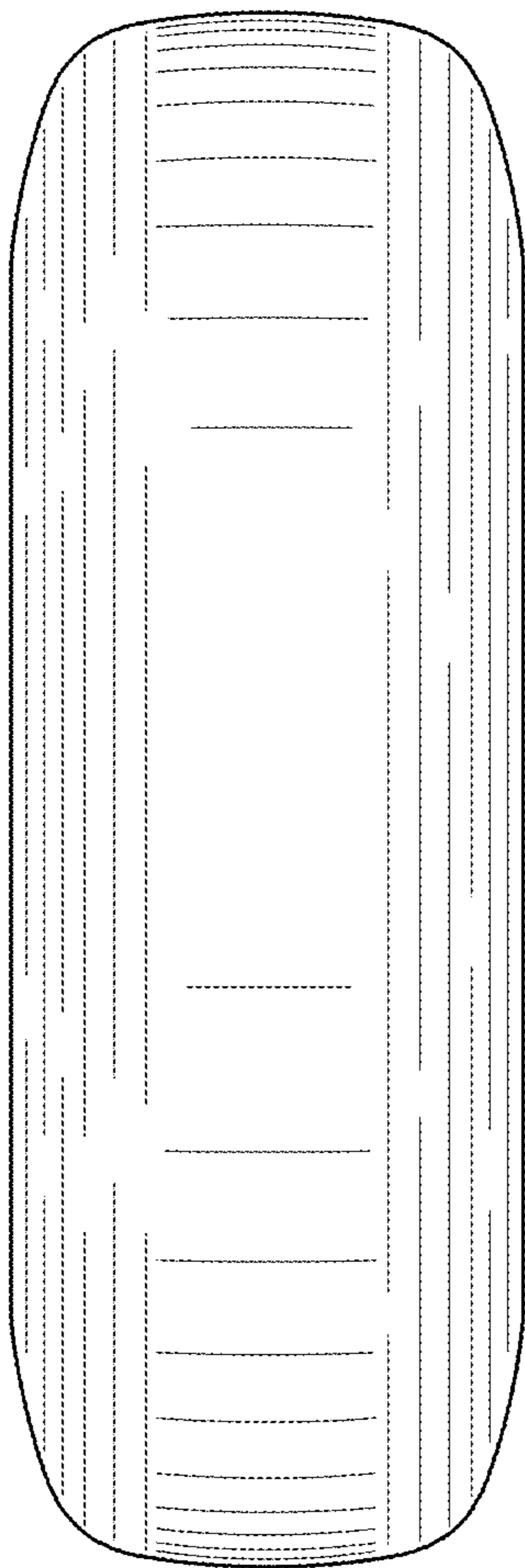


FIG. 4

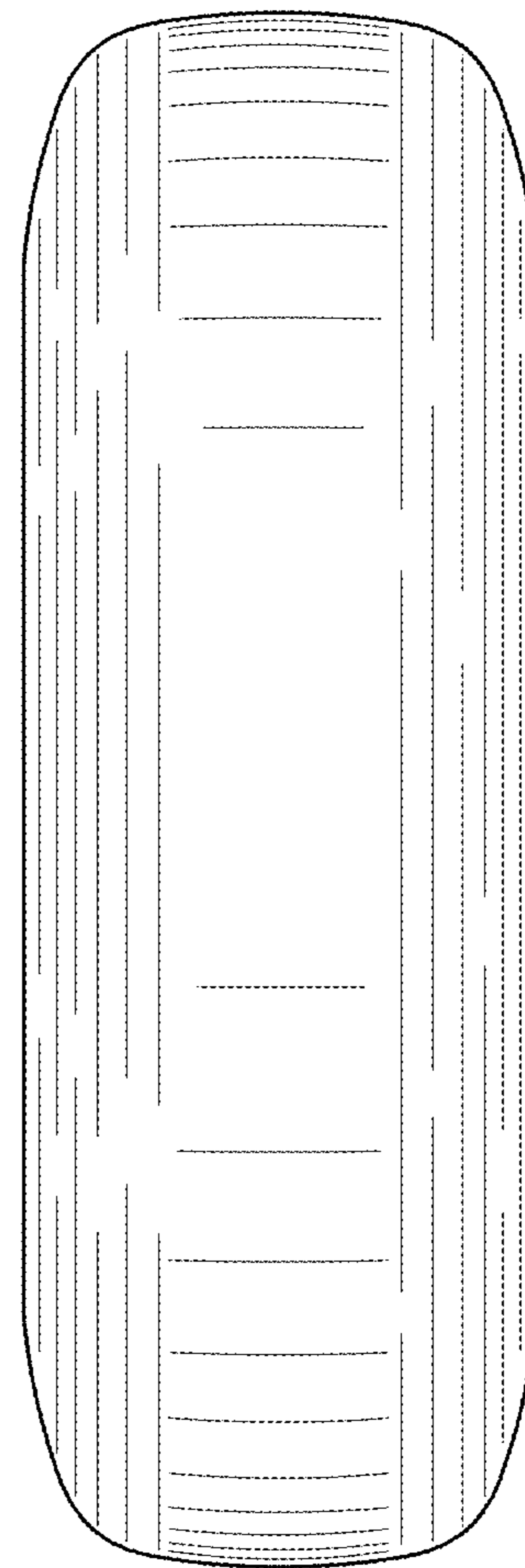


FIG. 5

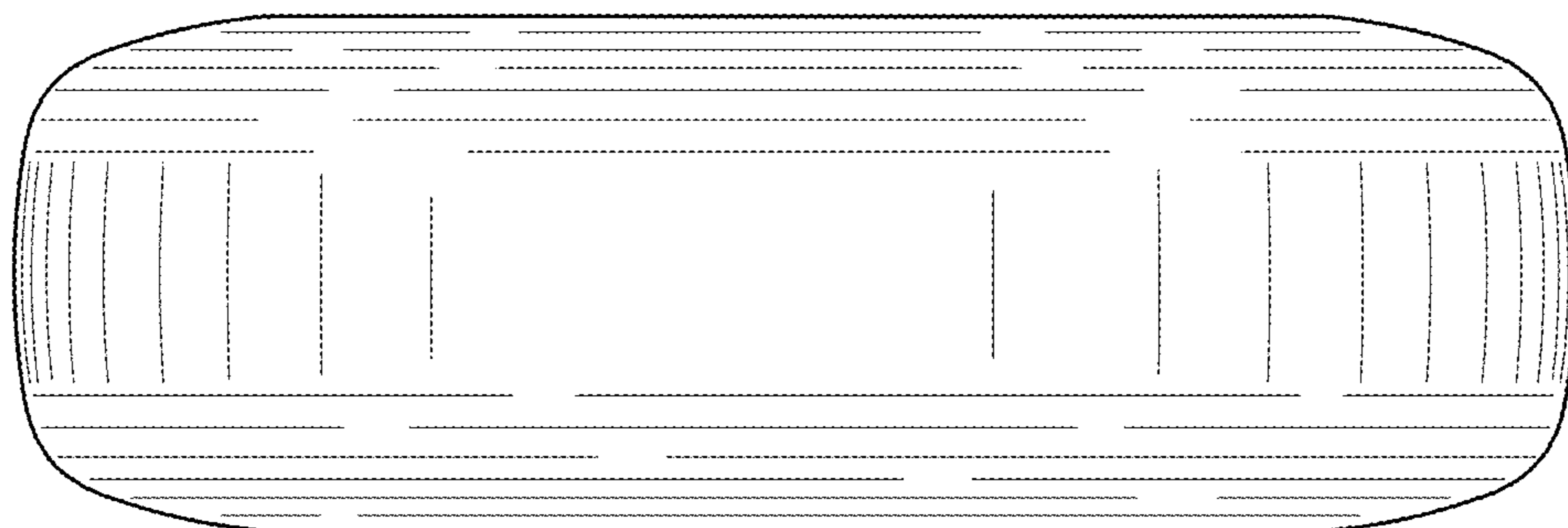


FIG. 6

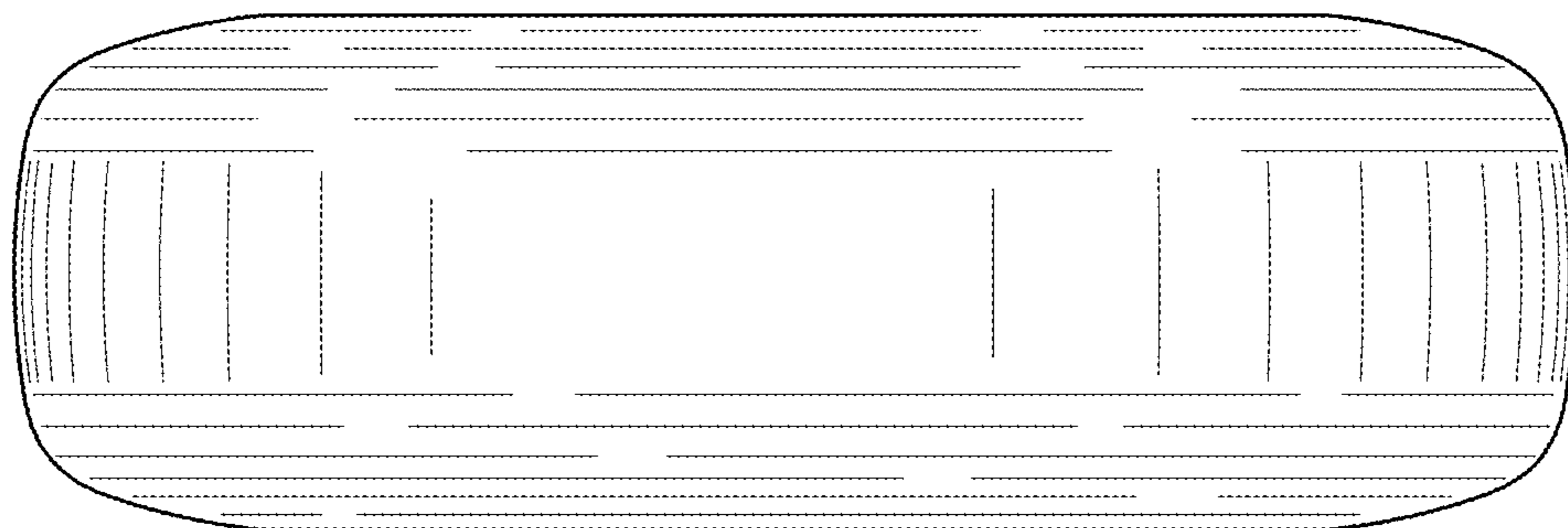


FIG. 7