



US00D887664S

(12) **United States Design Patent**  
**Liao et al.**

(10) **Patent No.:** **US D887,664 S**  
(45) **Date of Patent:** **\*\* Jun. 16, 2020**

(54) **TRAY FOR WAGON**

(71) Applicant: **KTL INTERNATIONAL CO., LTD.**,  
Taichung (TW)

(72) Inventors: **Ying-Chieh Liao**, Taichung (TW);  
**Yu-Kuo Liao**, Taichung (TW)

(73) Assignee: **KTL INTERNATIONAL CO., LTD.**,  
Taichung (TW)

(\*\*) Term: **15 Years**

(21) Appl. No.: **29/676,829**

(22) Filed: **Jan. 15, 2019**

(51) **LOC (12) Cl.** ..... **12-02**

(52) **U.S. Cl.**  
USPC ..... **D34/27**

(58) **Field of Classification Search**  
USPC ..... D34/12, 17, 14, 21; 280/33.992; D3/313  
CPC . B62B 3/1468; B62B 2202/023; B62B 3/006;  
B62B 2205/32; B62B 3/002; B62B 3/02;  
B62B 5/00

See application file for complete search history.

(56) **References Cited**

**U.S. PATENT DOCUMENTS**

D304,115 S \* 10/1989 Cohn ..... D34/27  
D366,749 S \* 1/1996 Carlson ..... D34/27

D374,323 S \* 10/1996 Carlson ..... D34/27  
D617,990 S \* 6/2010 Liao ..... D3/313  
9,975,565 B1 \* 5/2018 Liao ..... B62B 3/02  
D833,102 S \* 11/2018 Liao ..... D34/12  
D844,990 S \* 4/2019 Liao ..... D3/313  
D872,409 S \* 1/2020 Chen ..... D34/27

\* cited by examiner

*Primary Examiner* — Gino Colan

(74) *Attorney, Agent, or Firm* — Muncy, Geissler, Olds &  
Lowe, P.C.

(57) **CLAIM**

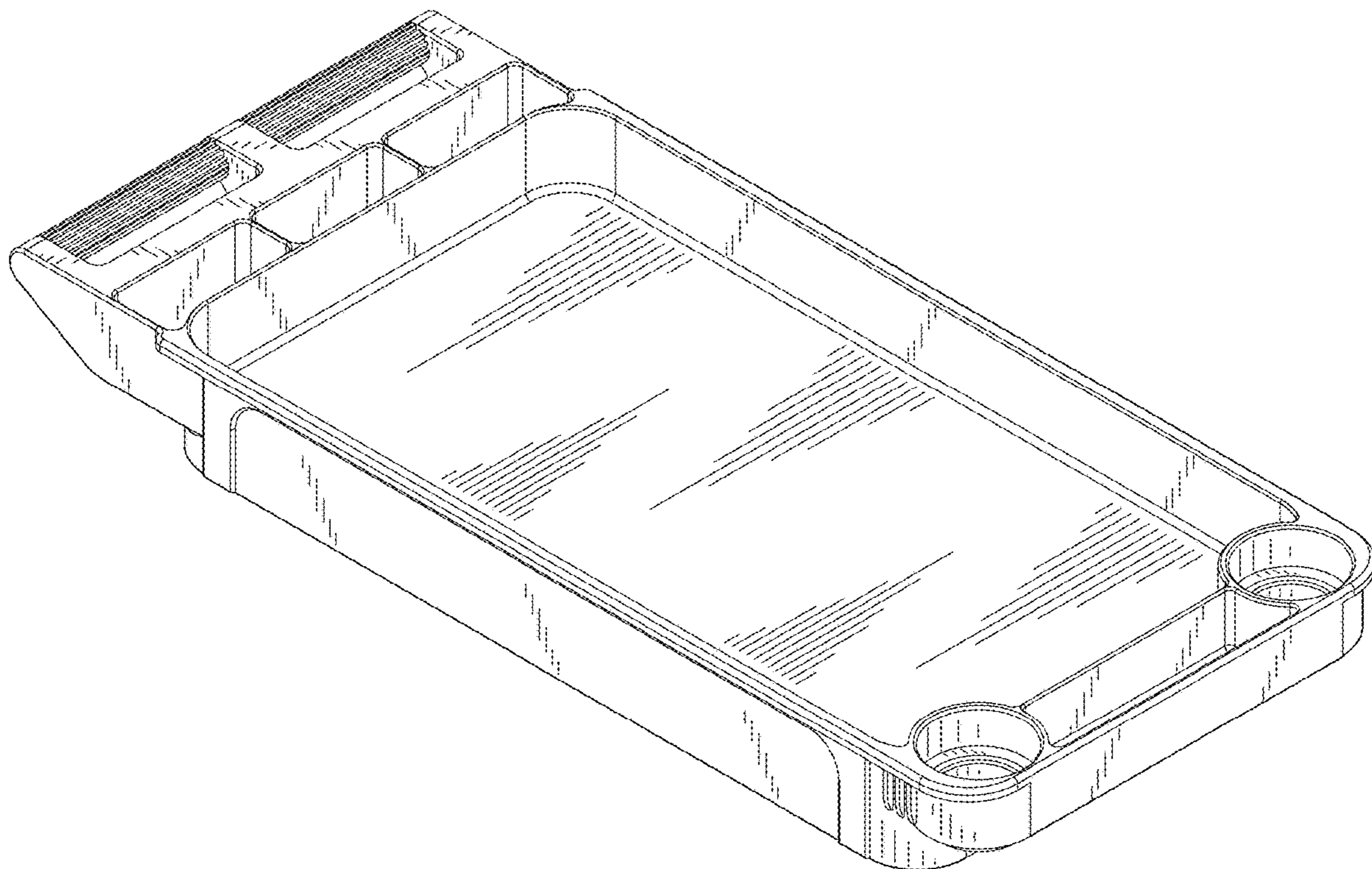
We claim the ornamental design for a tray for wagon, as shown and described.

**DESCRIPTION**

FIG. 1 is a top, front, right perspective view of a tray for wagon showing our new design;  
FIG. 2 is a front elevational view thereof;  
FIG. 3 is a rear elevational view thereof;  
FIG. 4 is a left side view thereof;  
FIG. 5 is a right side view thereof;  
FIG. 6 is a top plan view thereof;  
FIG. 7 is a bottom plan view thereof;  
FIG. 8 is a top, front, left perspective view thereof;  
FIG. 9 is a bottom, front, left perspective view thereof; and,  
FIG. 10 is a top, front, right elevational view showing the tray for wagon in use.

The broken lines in the drawings illustrate portions of the tray for wagon which form no part of the claimed design.

**1 Claim, 8 Drawing Sheets**



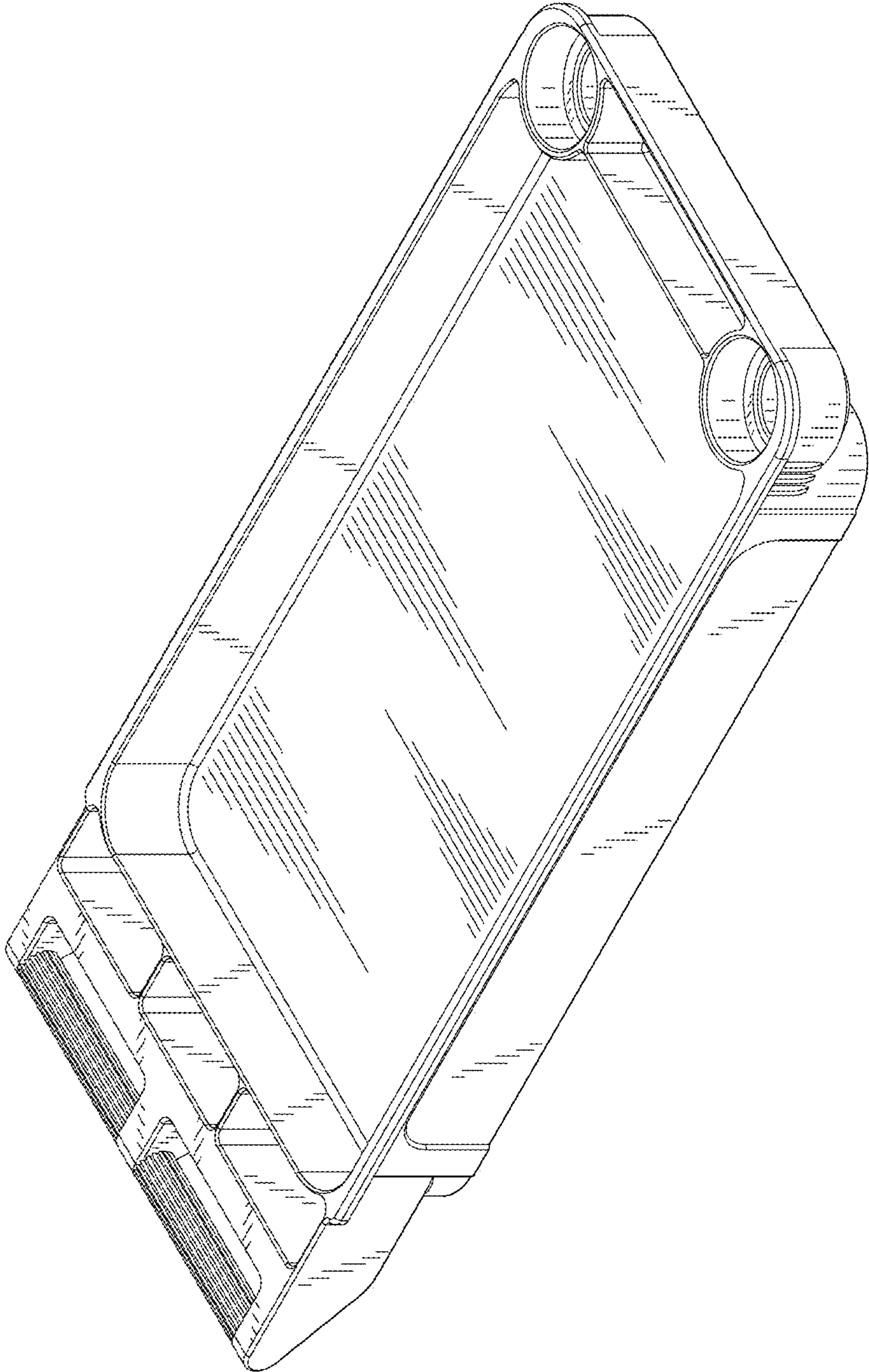


FIG. 1

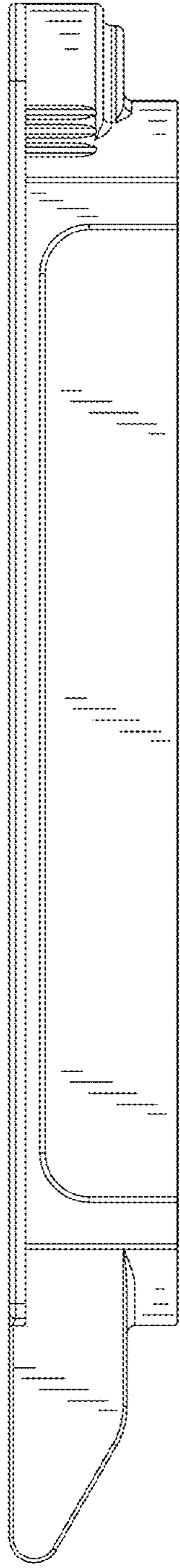


FIG. 2

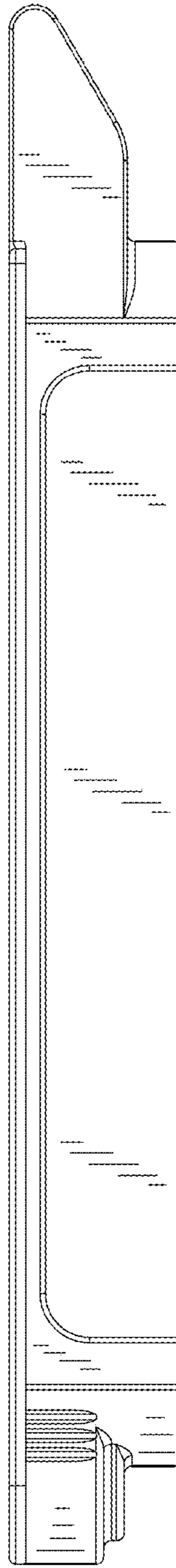


FIG. 3

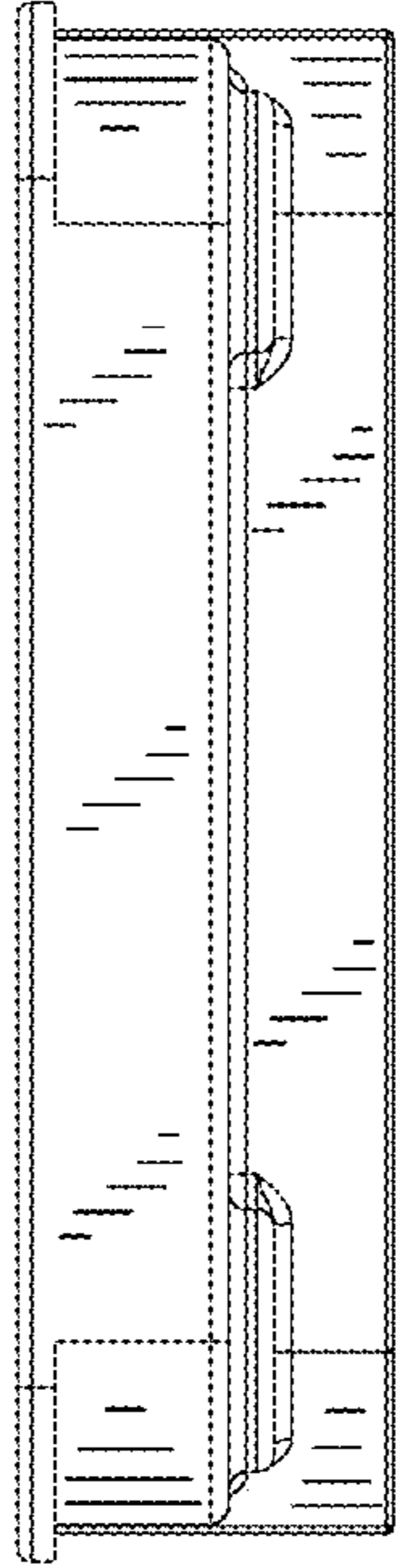


FIG. 4

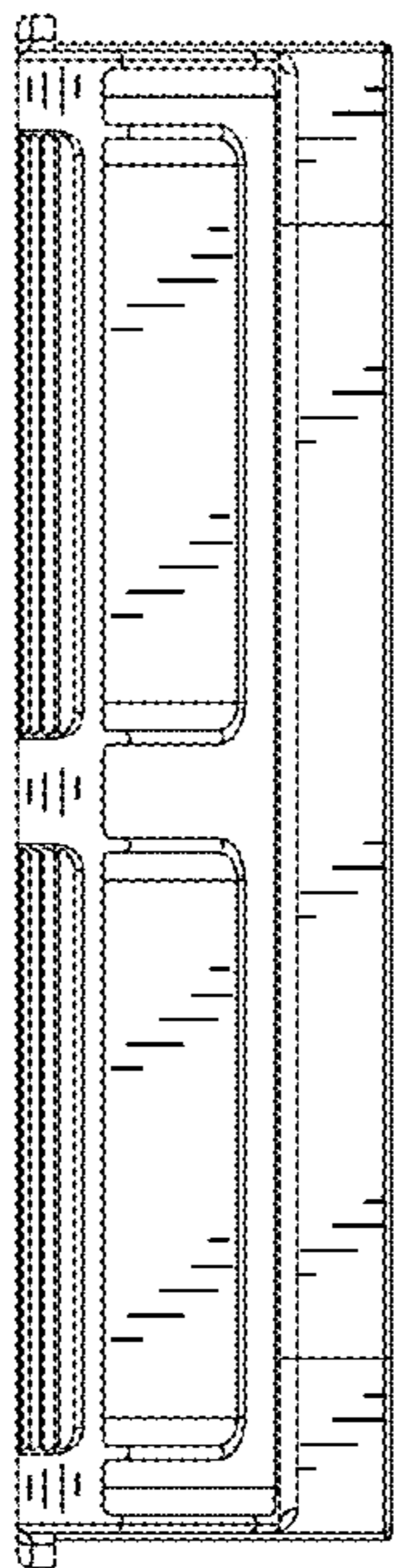


FIG. 5

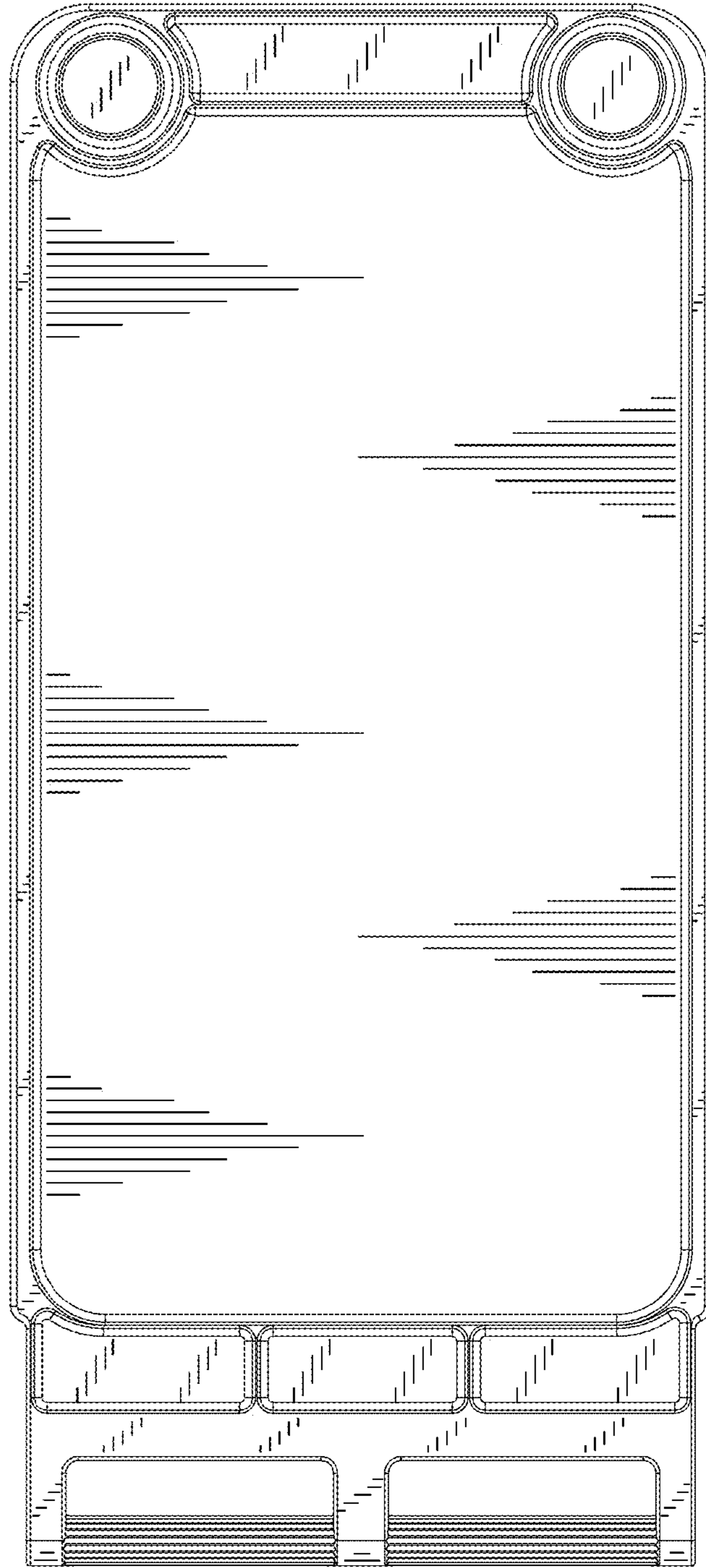


FIG. 6

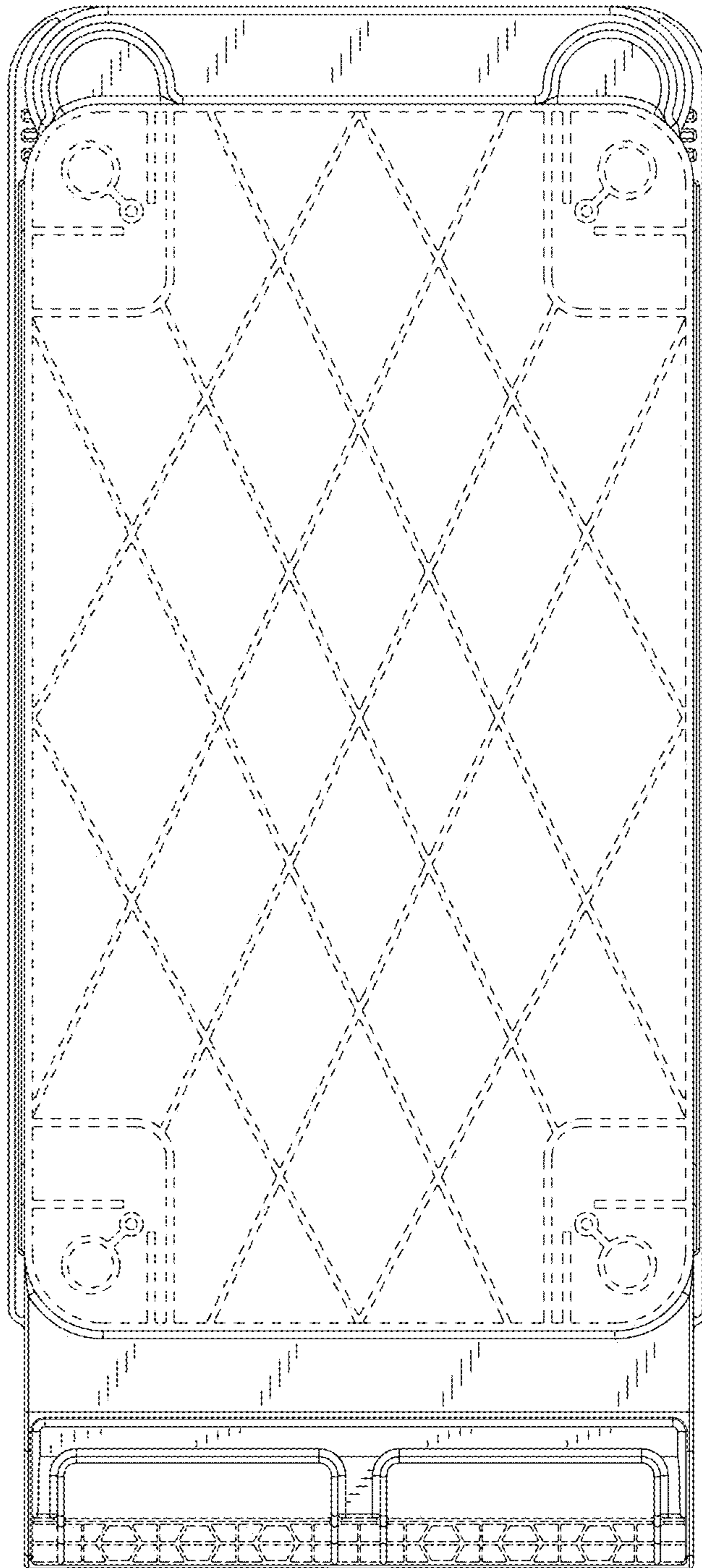


FIG. 7

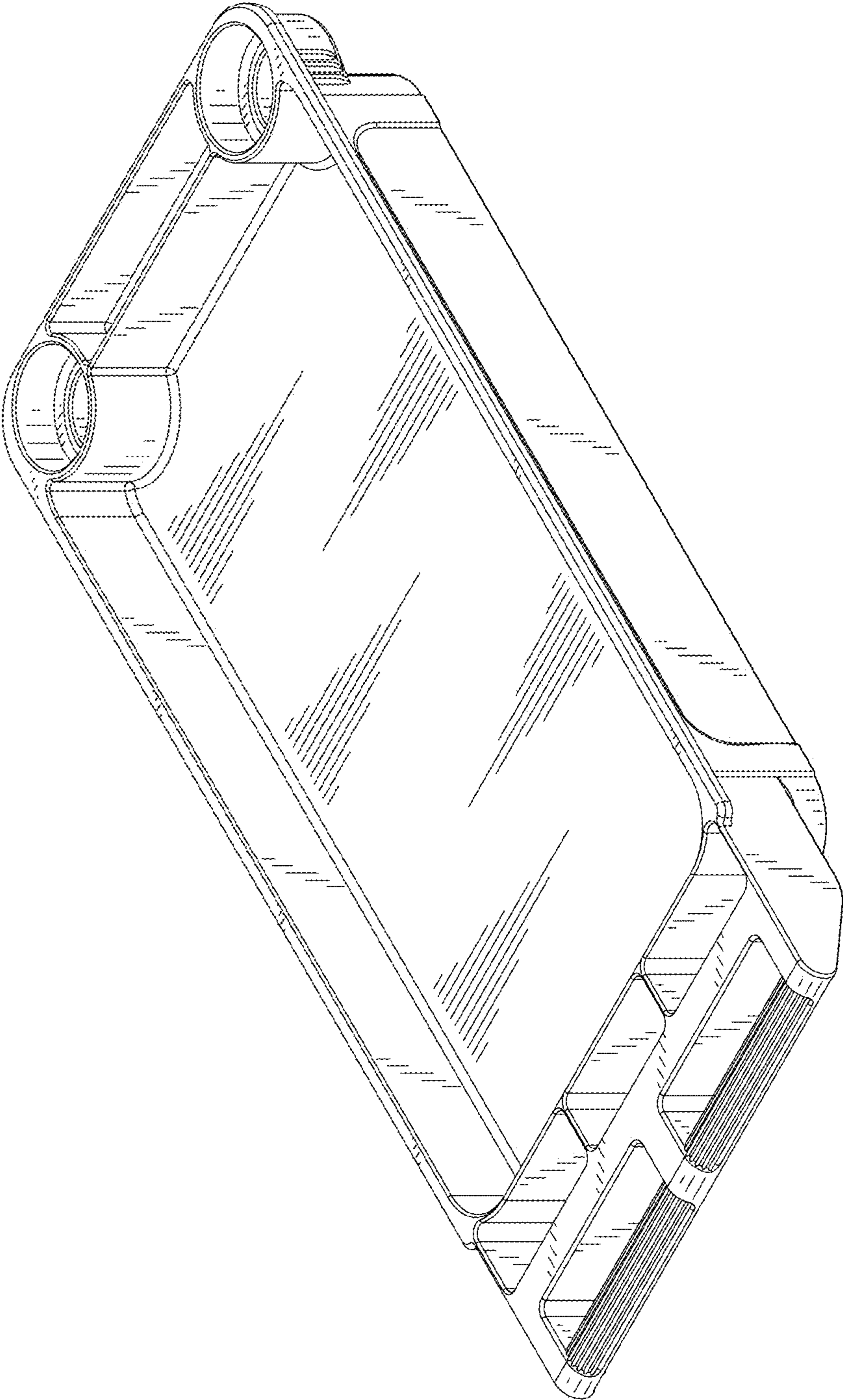


FIG. 8

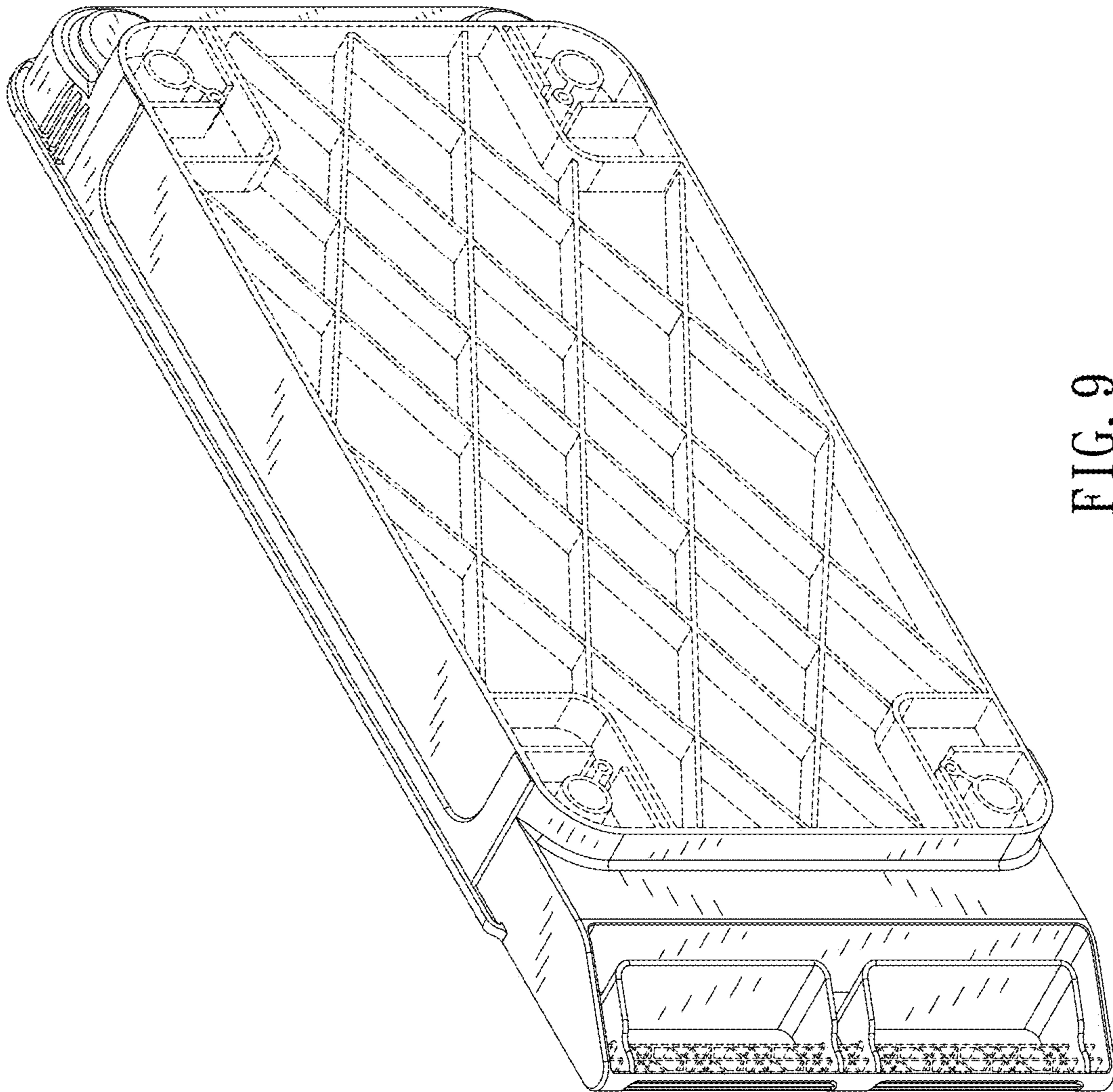


FIG. 9



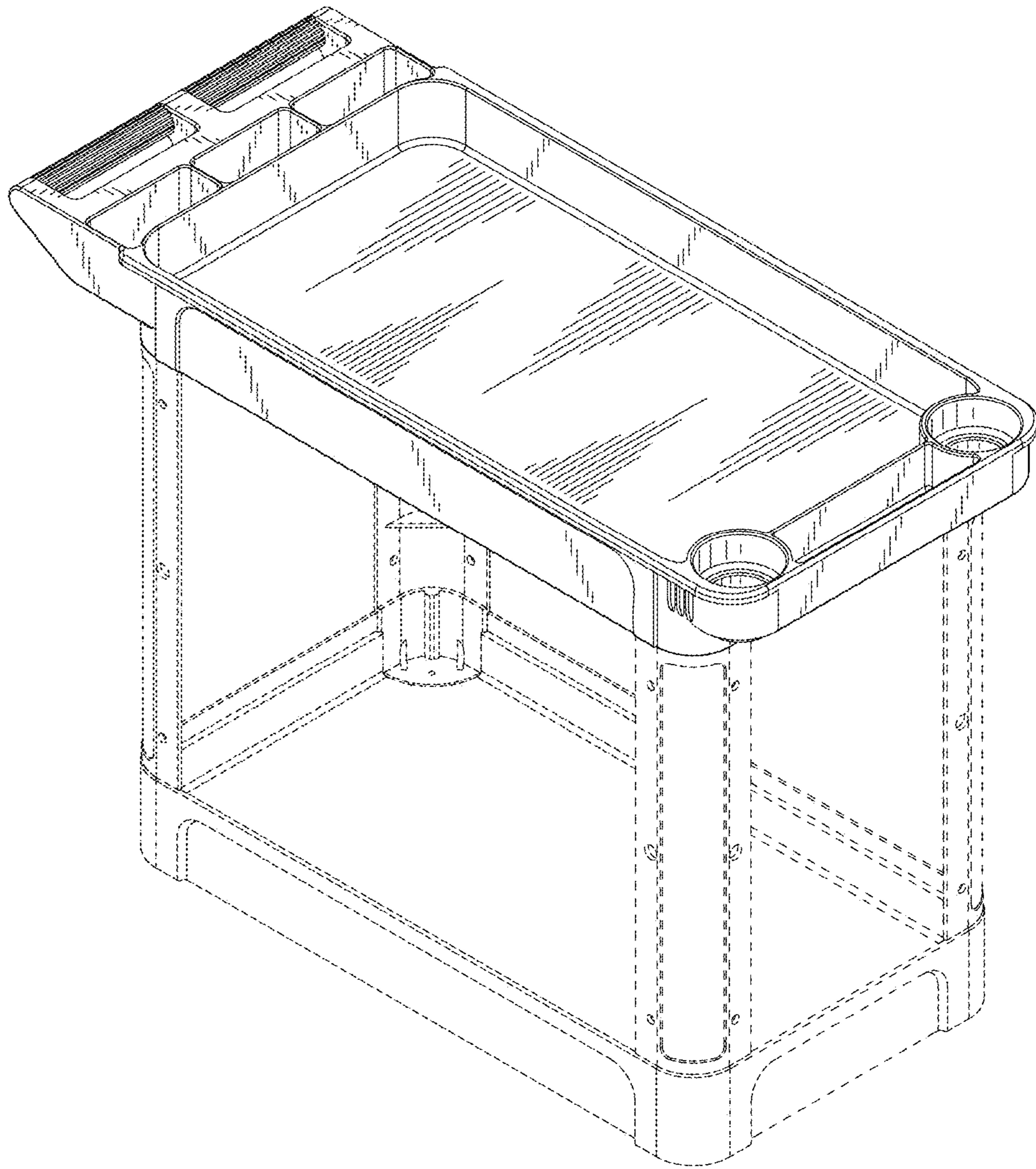


FIG. 10