



US00D887662S

(12) **United States Design Patent**  
**Hickey**

(10) **Patent No.:** **US D887,662 S**  
(45) **Date of Patent:** **\*\* Jun. 16, 2020**

(54) **TRAILER DOLLY**

(71) Applicant: **Roger W. Hickey**, Huntington Beach,  
CA (US)

(72) Inventor: **Roger W. Hickey**, Huntington Beach,  
CA (US)

(\*\*) Term: **15 Years**

(21) Appl. No.: **29/672,684**

(22) Filed: **Dec. 7, 2018**

(51) **LOC (12) Cl.** ..... **09-09**

(52) **U.S. Cl.**  
USPC ..... **D34/5; D34/12; D34/18; D12/101**

(58) **Field of Classification Search**  
USPC ..... **D34/5, 12, 18, 22, 23; D12/101, 106,  
D12/107, 112**  
CPC ..... **B62B 1/00; B60D 1/00; B60D 1/14**  
See application file for complete search history.

(56) **References Cited**

**U.S. PATENT DOCUMENTS**

1,220,038	A *	3/1917	White	.....	A61H 3/04 280/87.021
1,258,871	A *	3/1918	Case	.....	B62K 21/00 280/270
1,279,555	A *	9/1918	Kramlich	.....	B62K 3/002 280/87.05
1,297,282	A *	3/1919	White	.....	A61H 3/04 280/87.021
2,500,686	A *	3/1950	Jontz	.....	B60D 1/065 280/476.1
D288,912	S *	3/1987	Lucas	.....	D12/101
5,259,471	A *	11/1993	Taylor	.....	B60D 1/06 180/12

9,676,239	B1 *	6/2017	Lusty	.....	B62D 53/06
2002/0171224	A1 *	11/2002	Iles	.....	B60D 1/075 280/476.1
2018/0229696	A1 *	8/2018	Chen	.....	B60D 1/665

**OTHER PUBLICATIONS**

Trailer Tug, announced 2019 [online], [site visited Mar. 19, 2020]. Available from internet, URL: <https://www.amazon.com/Trailer-Tug-Motorcycle-Jetski-Greatest/dp/B07MNXRGZH> (Year: 2019).\*  
Air Tug, announced 2020 [online], [site visited Mar. 19, 2020]. Available from internet, URL: <https://airtug.com/product/trailer-tug-mini-electric/> (Year: 2020).\*

\* cited by examiner

*Primary Examiner* — George A Bugg

*Assistant Examiner* — Tamara L Hahn

(74) *Attorney, Agent, or Firm* — Eric Karich; Karich & Associates

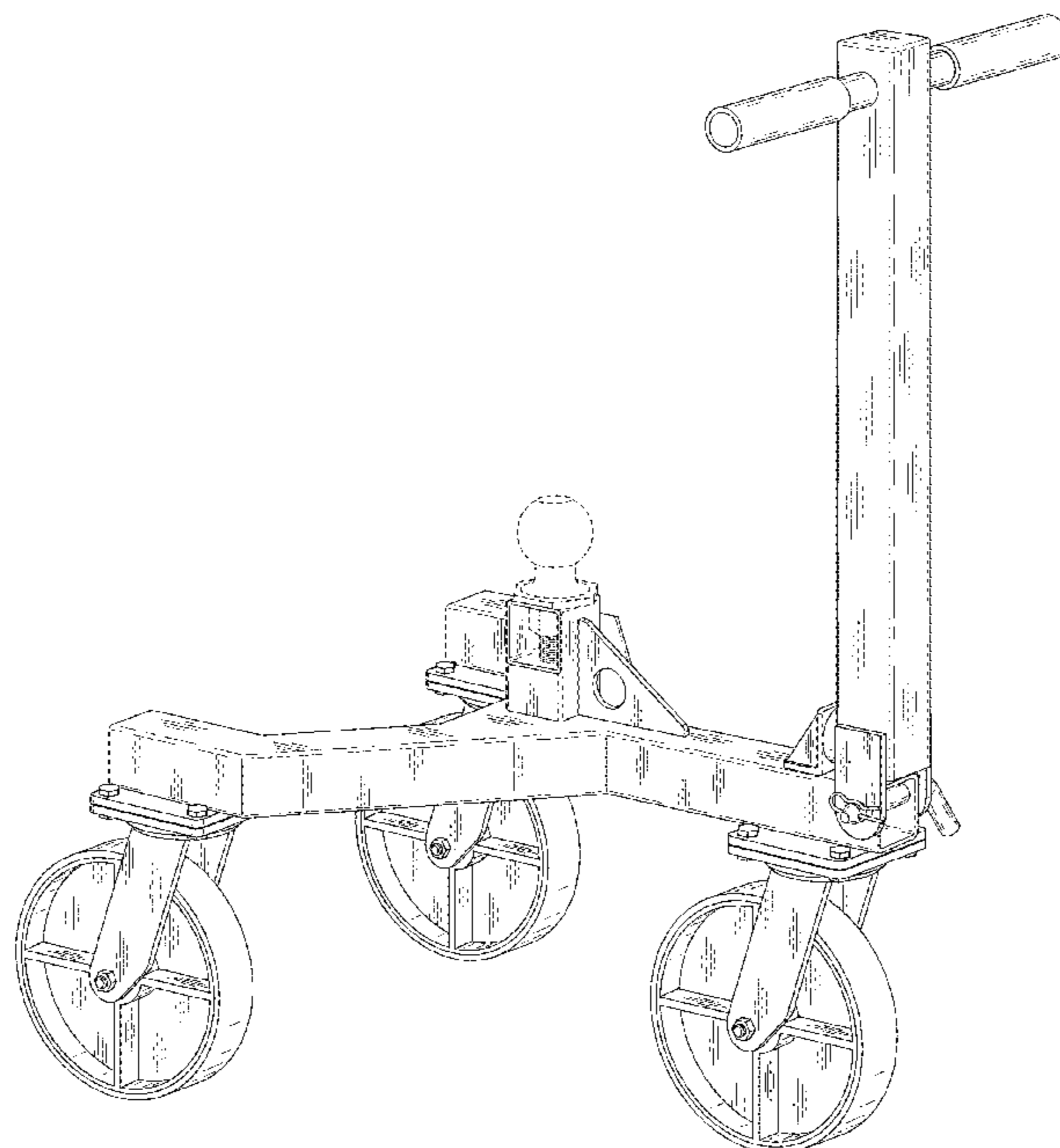
(57) **CLAIM**

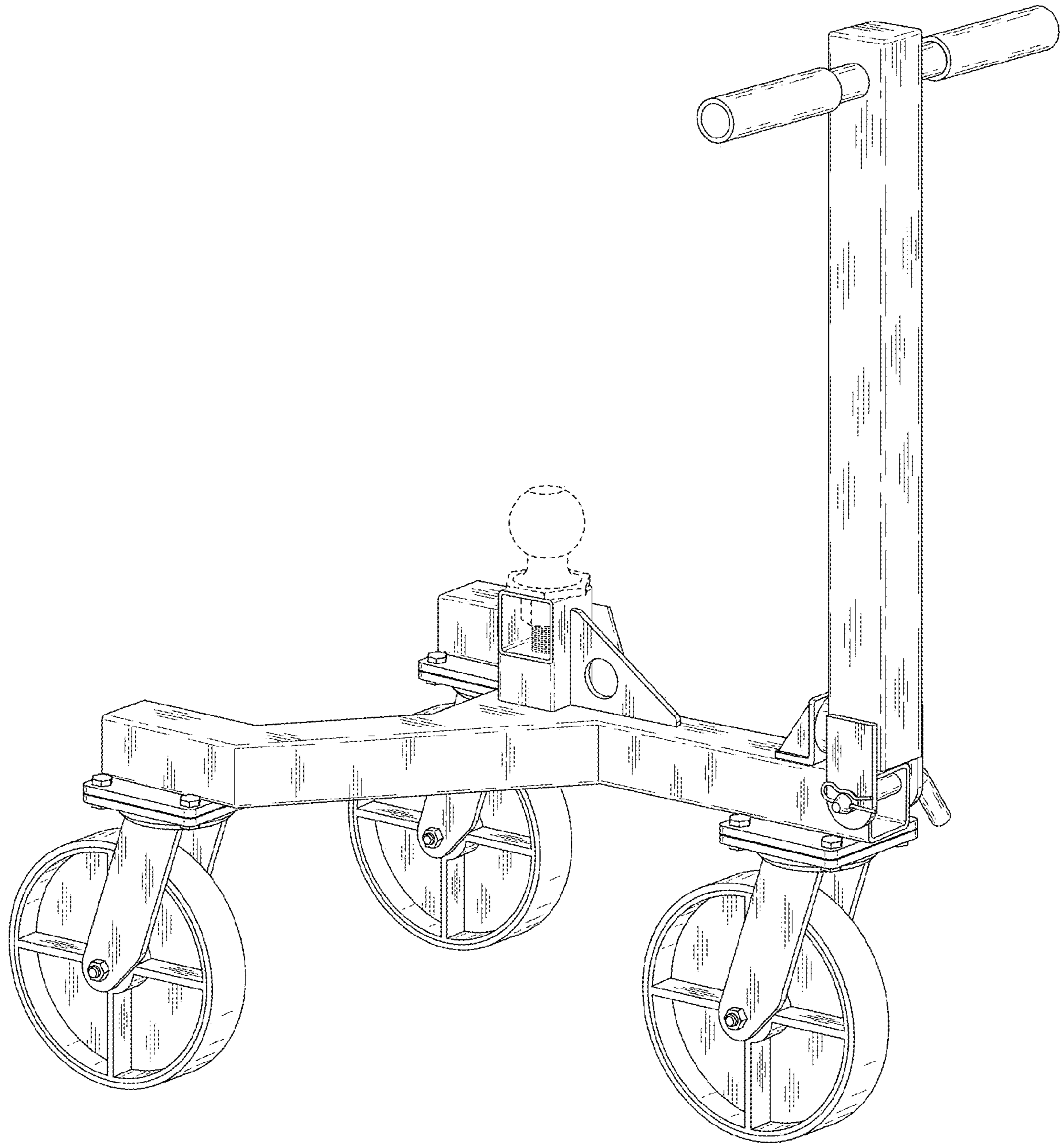
The ornamental design for a trailer dolly, as shown and described.

**DESCRIPTION**

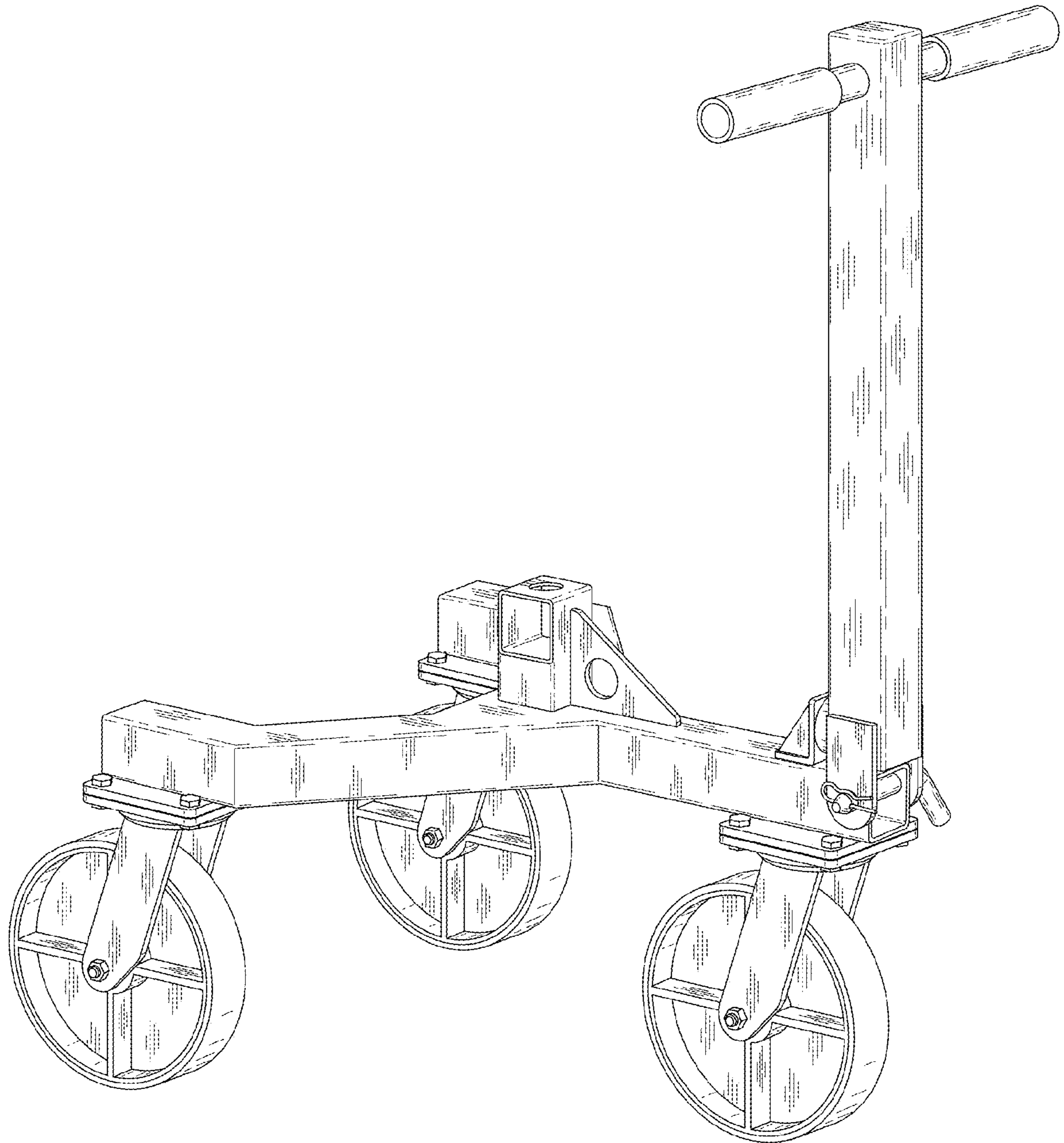
FIG. 1 is a perspective view of a trailer dolly, showing my new design with a trailer hitch mount;  
FIG. 2 is a second perspective view thereof, without the trailer hitch mount;  
FIG. 3 is a front elevational view thereof;  
FIG. 4 is a rear elevational view thereof;  
FIG. 5 is a left side elevational view thereof  
FIG. 6 is a right side elevational view thereof;  
FIG. 7 is a top plan view thereof; and,  
FIG. 8 is a bottom plan view thereof.  
The broken lines in the drawings depict portions of the trailer dolly that form no part of the claimed design.

**1 Claim, 8 Drawing Sheets**

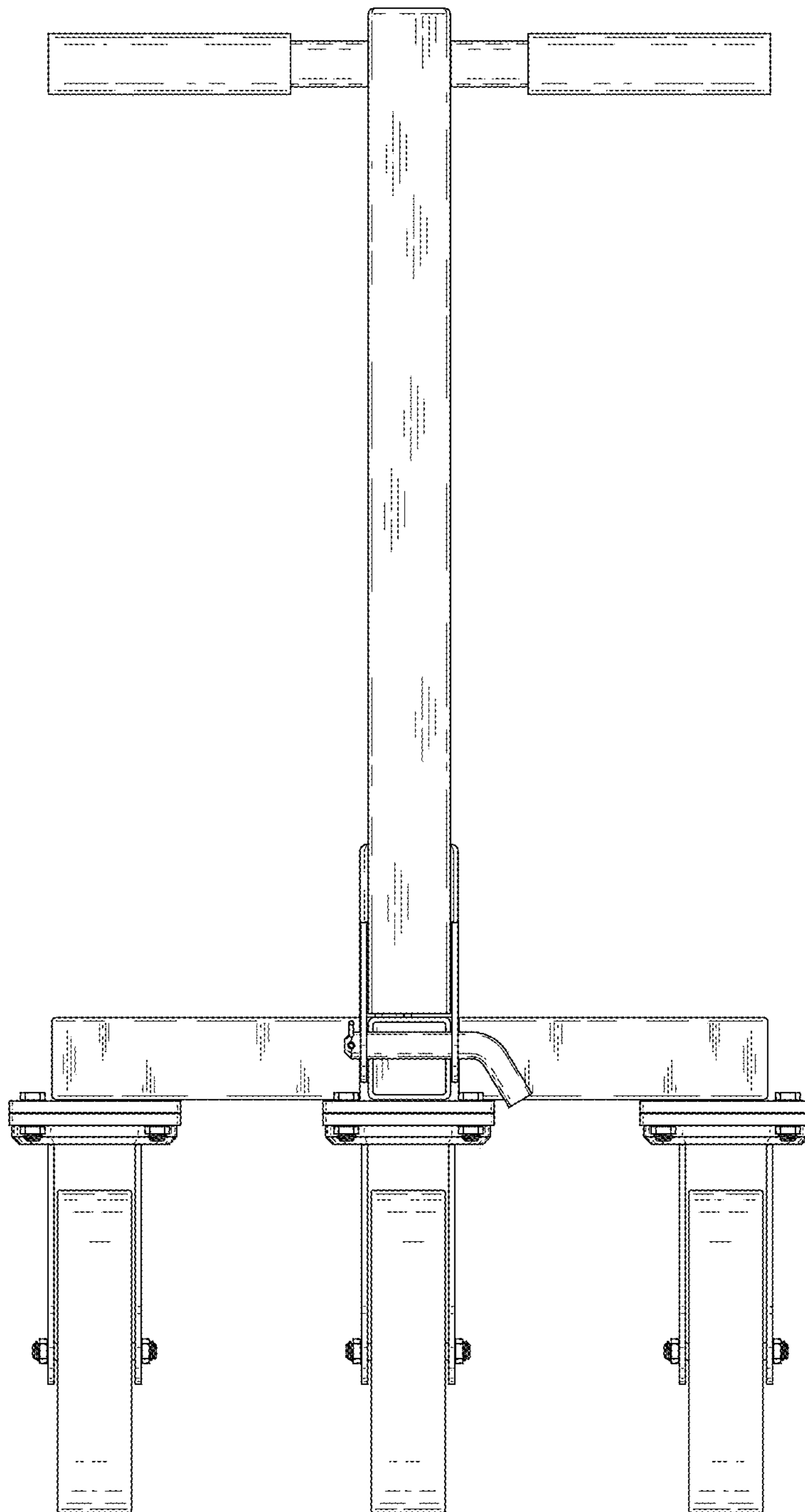




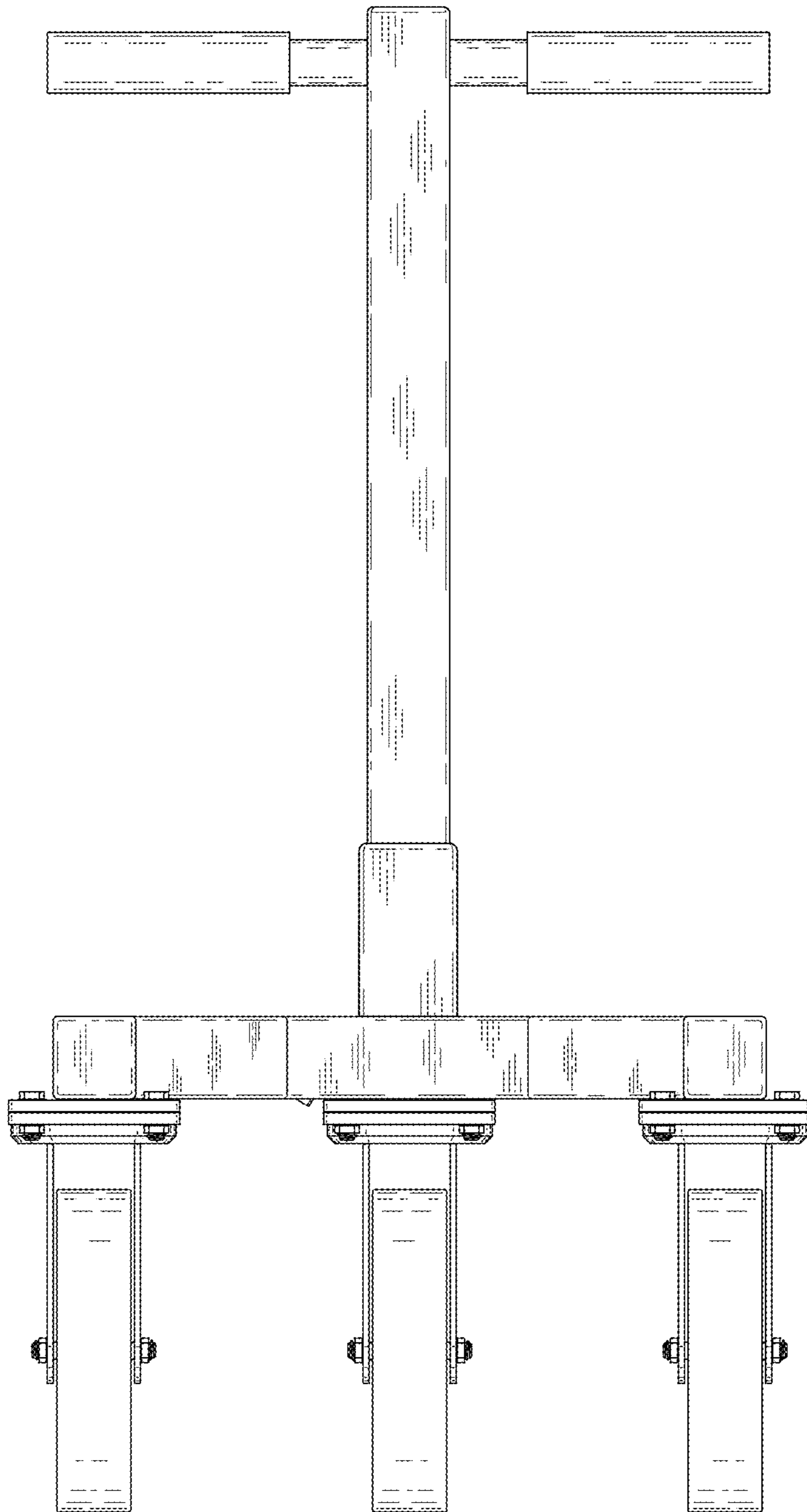
*Fig. 1*



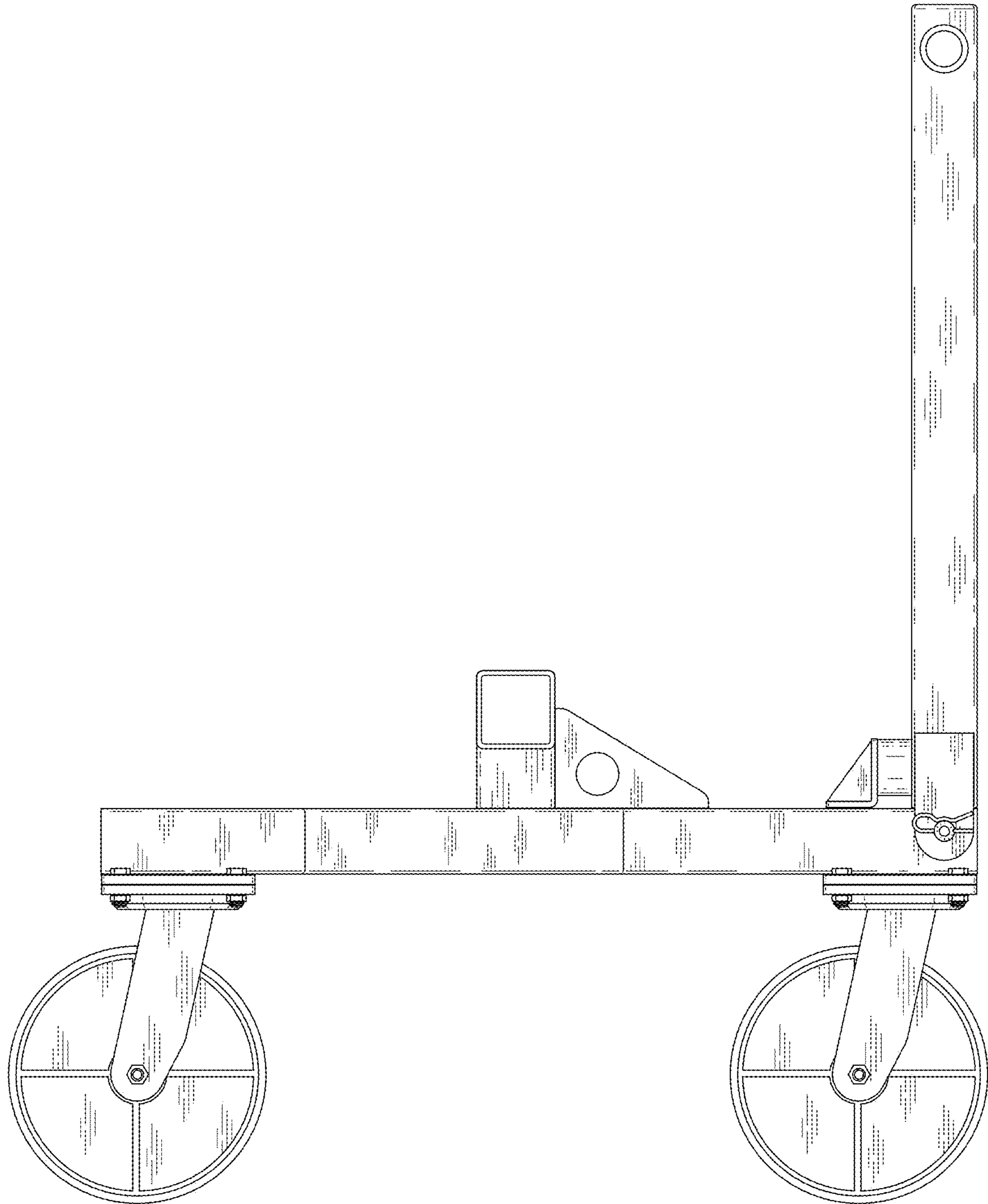
*Fig. 2*



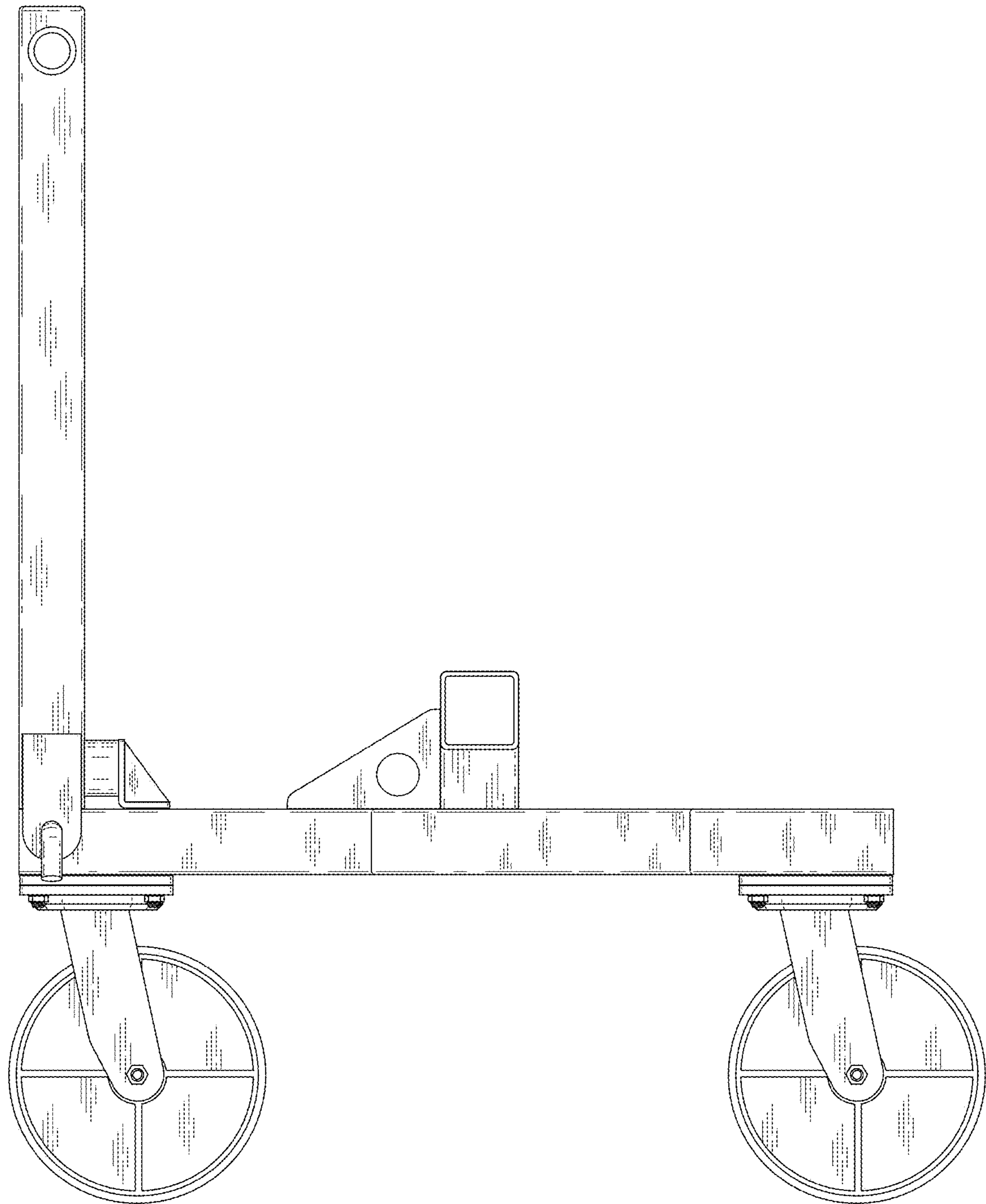
*Fig. 3*



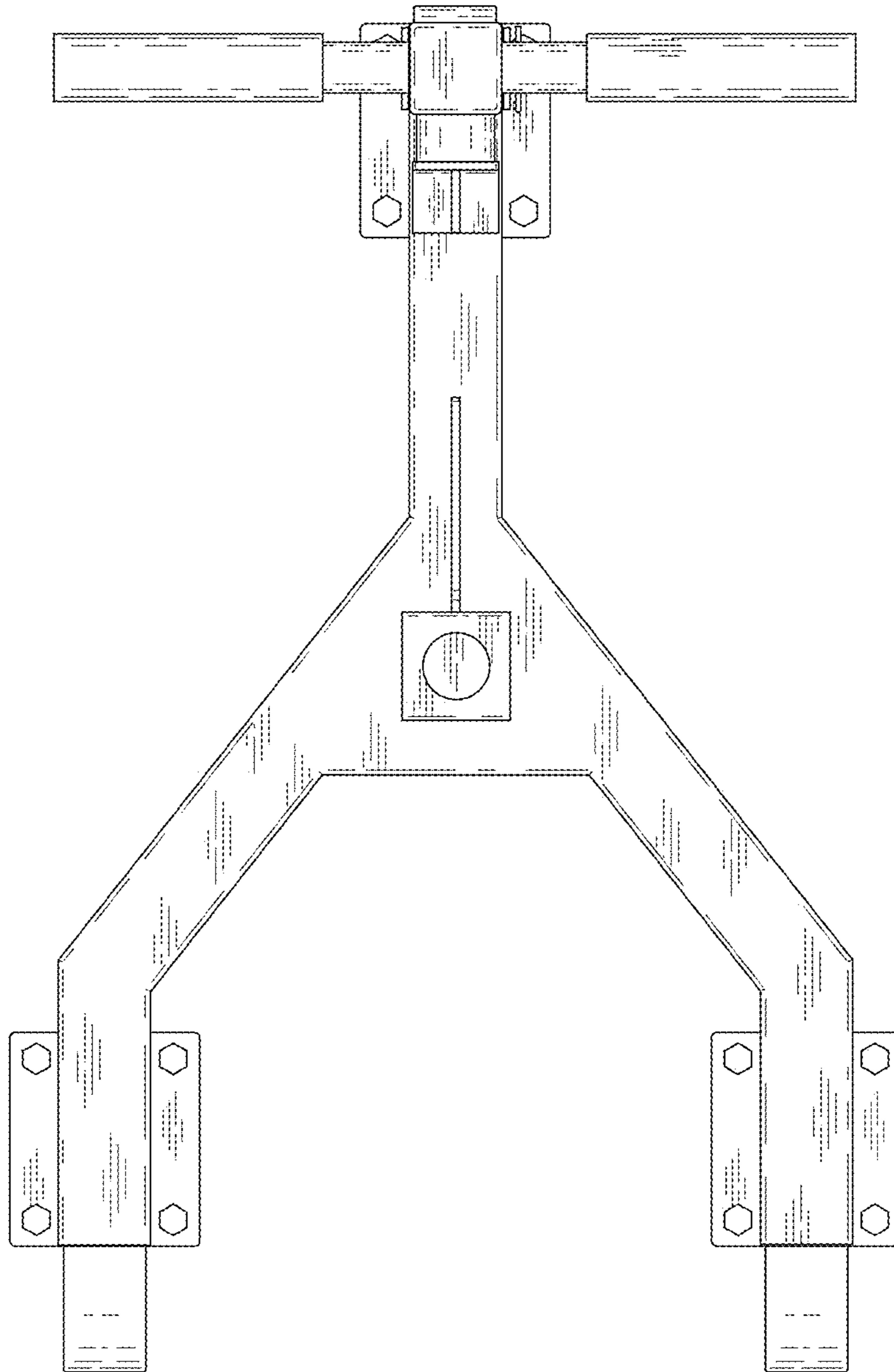
*Fig. 4*



*Fig. 5*

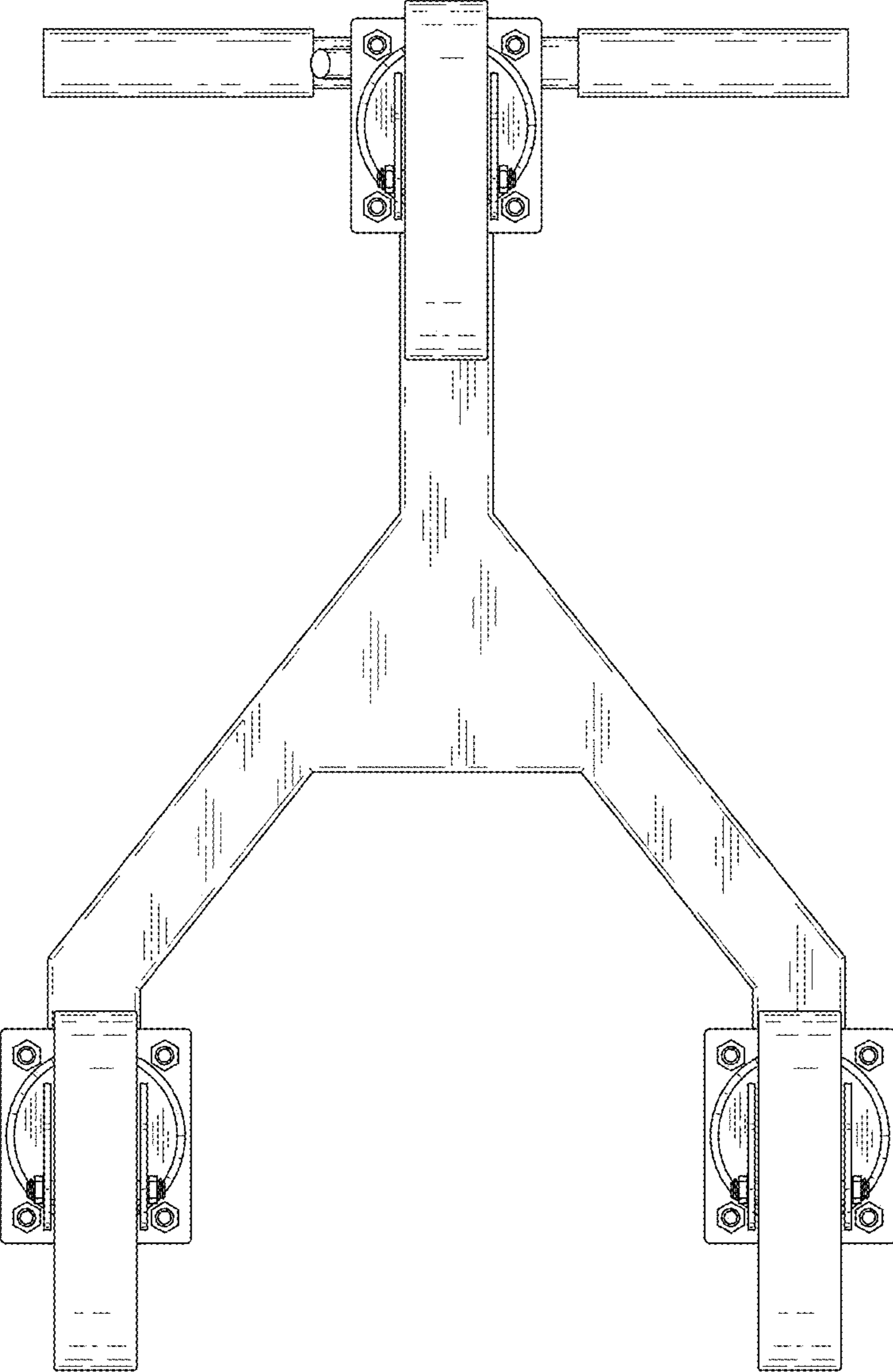


*Fig. 6*



*Fig. 7*





*Fig. 8*