



US00D887659S

(12) **United States Design Patent**
Gayeski

(10) **Patent No.:** **US D887,659 S**
(45) **Date of Patent:** **** Jun. 16, 2020**

- (54) **COMBINATION PAINT BRUSH HOLDER AND POURER FOR PAINT CANS**
- (71) Applicant: **Richard Gayeski**, Norwich, CT (US)
- (72) Inventor: **Richard Gayeski**, Norwich, CT (US)
- (73) Assignee: **Clifford J. Wilson**, Swansea, MA (US)
- (**) Term: **15 Years**
- (21) Appl. No.: **29/651,692**
- (22) Filed: **Jan. 11, 2019**
- (51) **LOC (12) Cl.** **07-05**
- (52) **U.S. Cl.**
USPC **D32/54**
- (58) **Field of Classification Search**
USPC D32/37, 53, 53.1, 54; D3/304, 307, 315,
D3/905; D23/284, 288, 290; D7/603;
D21/532
CPC B44D 3/123; B44D 3/128; B44D 3/12;
B44D 3/126; B44D 3/127; B65D
2543/00092
See application file for complete search history.

- 5,392,969 A * 2/1995 Usery B44D 3/12
220/695
- D369,975 S * 5/1996 Simon D9/435
- D377,900 S * 2/1997 Ford D9/435
- D382,801 S * 8/1997 Samson D9/435
- 6,135,310 A * 10/2000 Svehaug B44D 3/123
220/697
- D620,662 S * 7/2010 Blanchard D32/54
- 8,087,554 B2 * 1/2012 Gringer B44D 3/127
220/696
- D772,513 S * 11/2016 Mitford B44D 3/127
D32/54
- 9,522,568 B2 * 12/2016 Abernethy, Jr. B65D 25/48
(Continued)

Primary Examiner — Sheryl Lane
Assistant Examiner — Calvin E Vansant
(74) *Attorney, Agent, or Firm* — Robert J Doherty

(57) **CLAIM**

I claim the ornamental design for a combination brush holder and pourer for paint cans, as shown and described.

DESCRIPTION

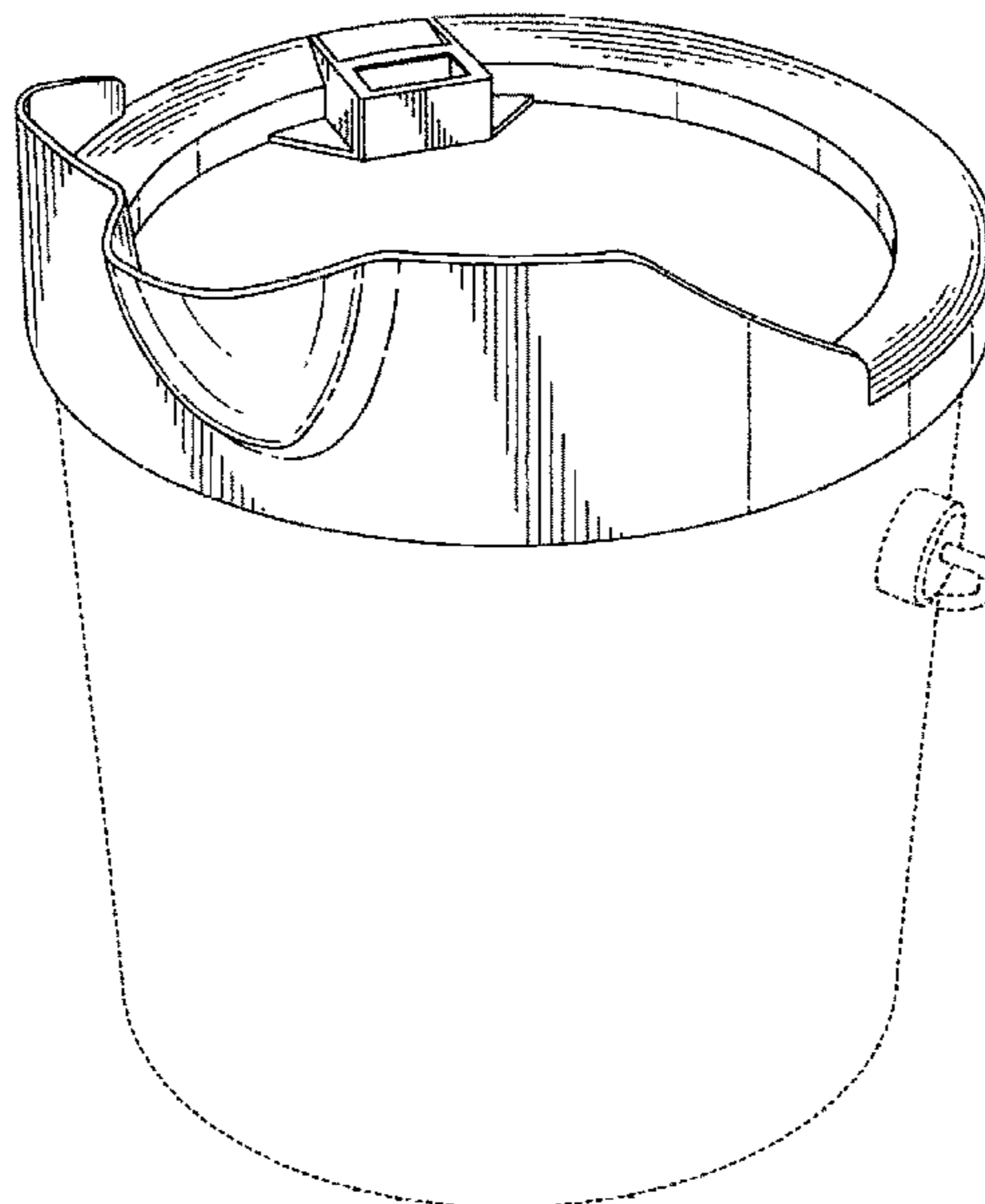
FIG. 1 is a front perspective view of a combination paint brush holder and pourer for paint cans device mounted on a paint can showing my new design;
FIG. 2 is a front perspective view of FIG. 1 with the device separated from the paint can;
FIG. 3 is a top plan view of FIG. 2;
FIG. 4 is a bottom plan view of FIG. 2;
FIG. 5 is a front elevation view of FIG. 2;
FIG. 6 is a rear elevation view of FIG. 2;
FIG. 7 is a right side elevation view of FIG. 2;
FIG. 8 is a left side elevation view of FIG. 2; and,
FIG. 9 is a view similar to FIG. 2 with a paint brush shown supported by the device.
The broken lines depict environmental material and form no part of the claimed design.

1 Claim, 7 Drawing Sheets

(56) **References Cited**

U.S. PATENT DOCUMENTS

- 2,151,895 A * 3/1939 Carlson B44D 3/128
220/697
- 2,837,256 A * 6/1958 Daner B65D 25/48
222/568
- 3,309,000 A * 3/1967 Haverstick B65D 25/48
222/569
- D254,482 S * 3/1980 Bell 222/189.06
- D288,535 S * 3/1987 Bozich D9/447
- 4,907,714 A * 3/1990 Gatz B44D 3/12
220/698
- D341,318 S * 11/1993 Brown D9/447
- D345,833 S * 4/1994 Truran B65D 25/48
D32/54



(56)

References Cited

U.S. PATENT DOCUMENTS

D792,755 S * 7/2017 Adams B65D 25/48
D32/53
D832,545 S * 10/2018 Rus B65D 25/48
D32/54
2002/0195471 A1* 12/2002 Nottingham B01F 15/00733
222/570
2004/0065698 A1* 4/2004 Braunstein B44D 3/128
222/570
2006/0175362 A1* 8/2006 Gringer B44D 3/127
222/570
2007/0295768 A1* 12/2007 Gringer B44D 3/127
222/570
2018/0002069 A1* 1/2018 Al-Housseiny B65D 25/48
2019/0263566 A1* 8/2019 Quinn B65D 25/44

* cited by examiner

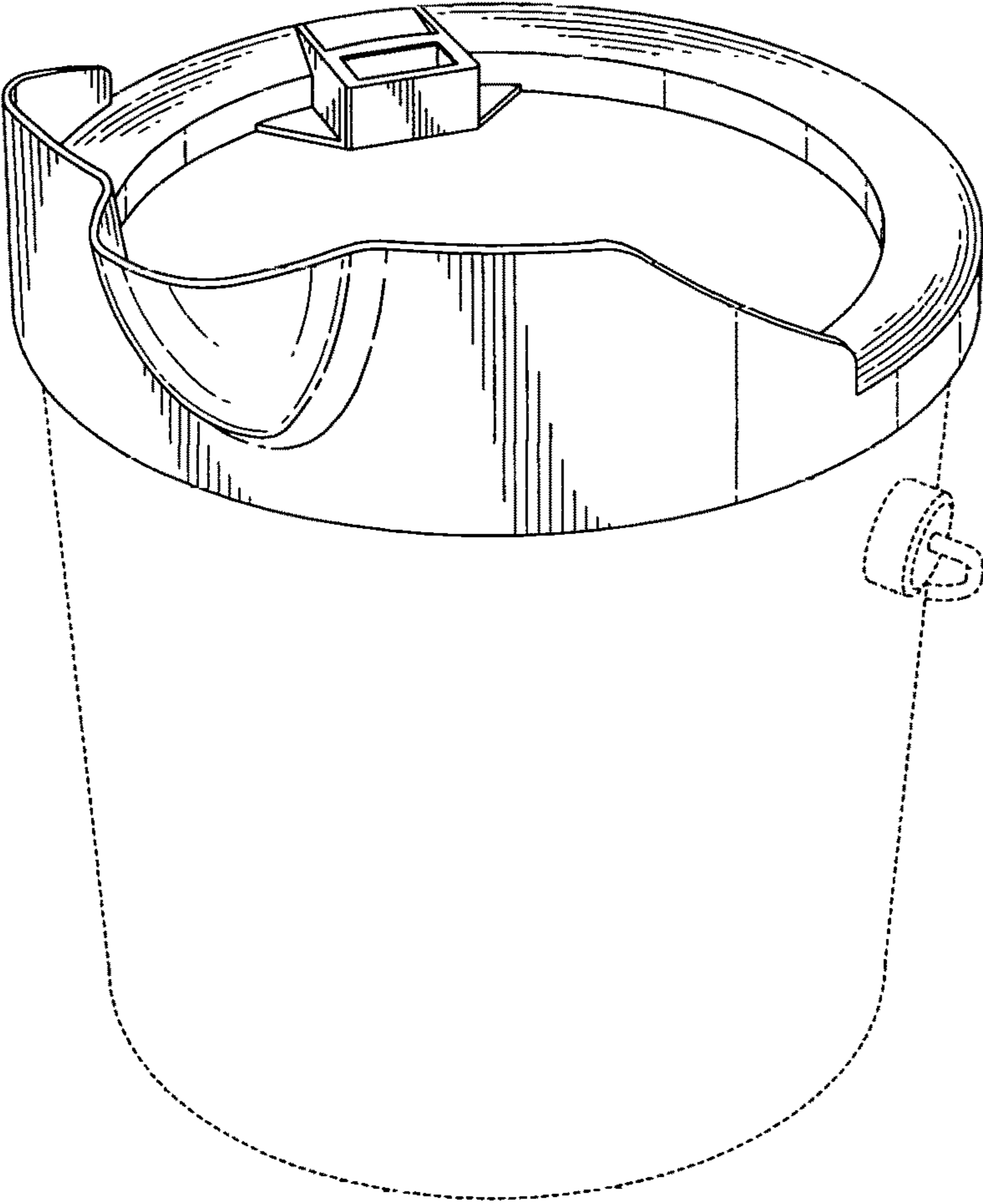


FIG. 1

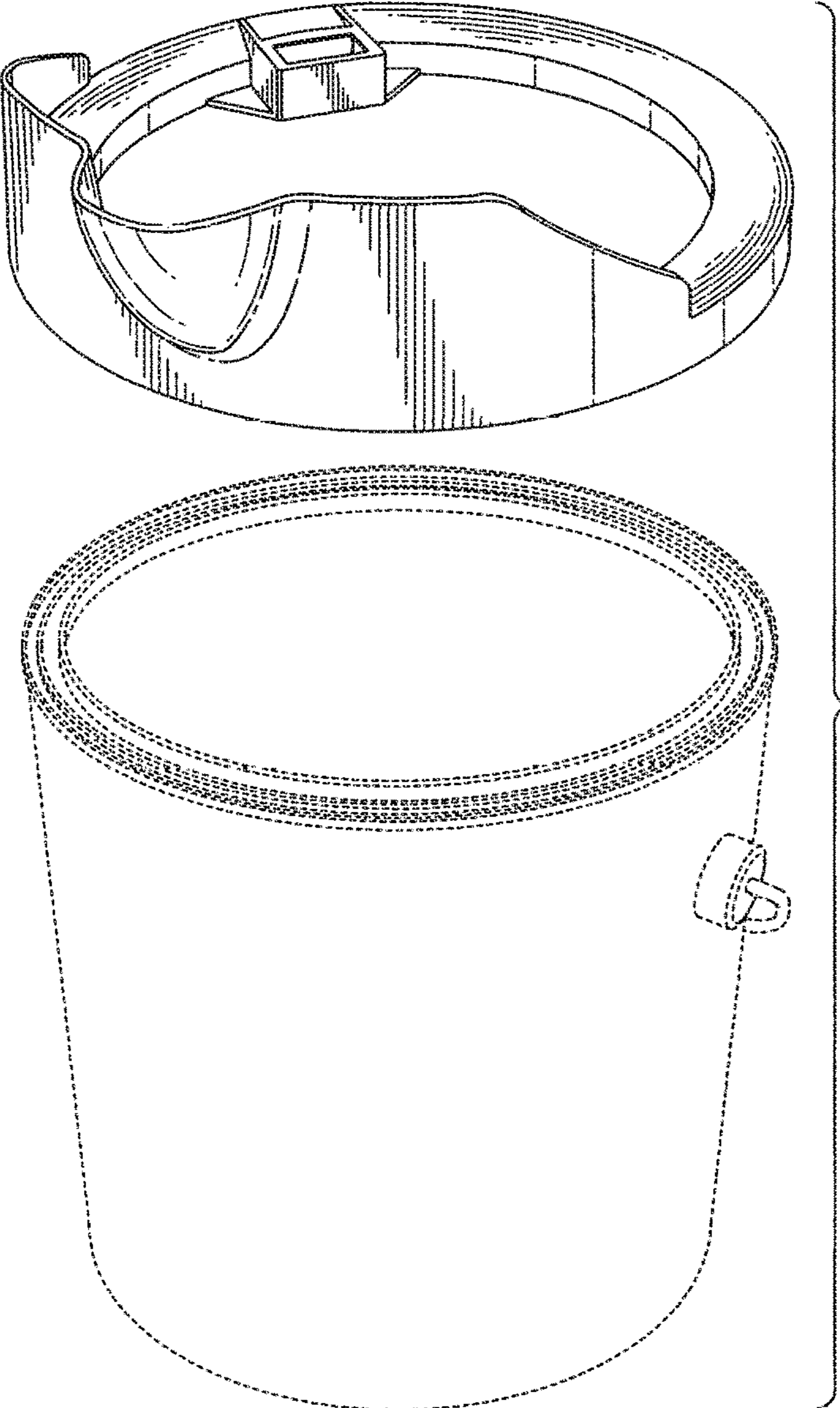


FIG. 2

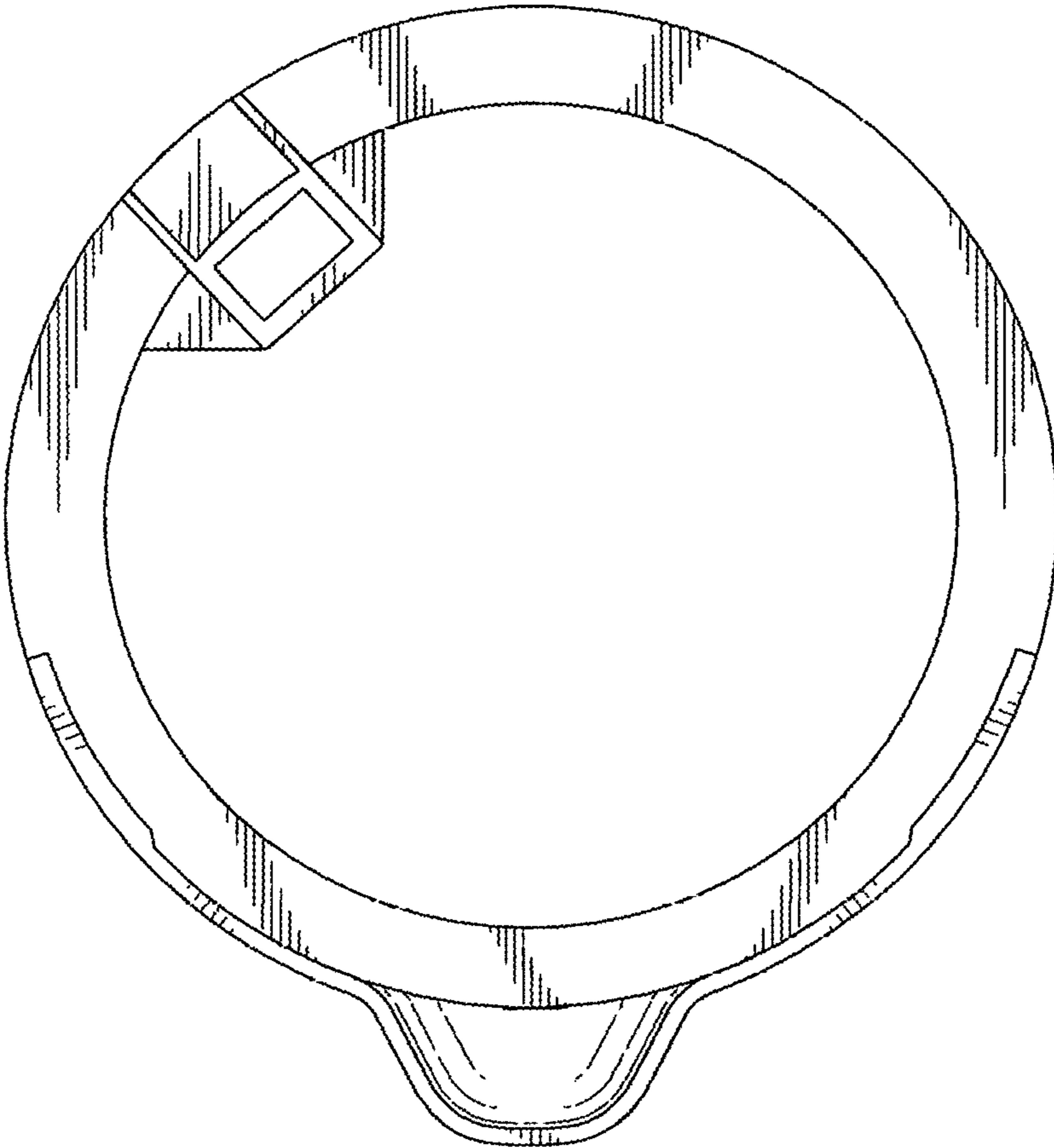


FIG. 3

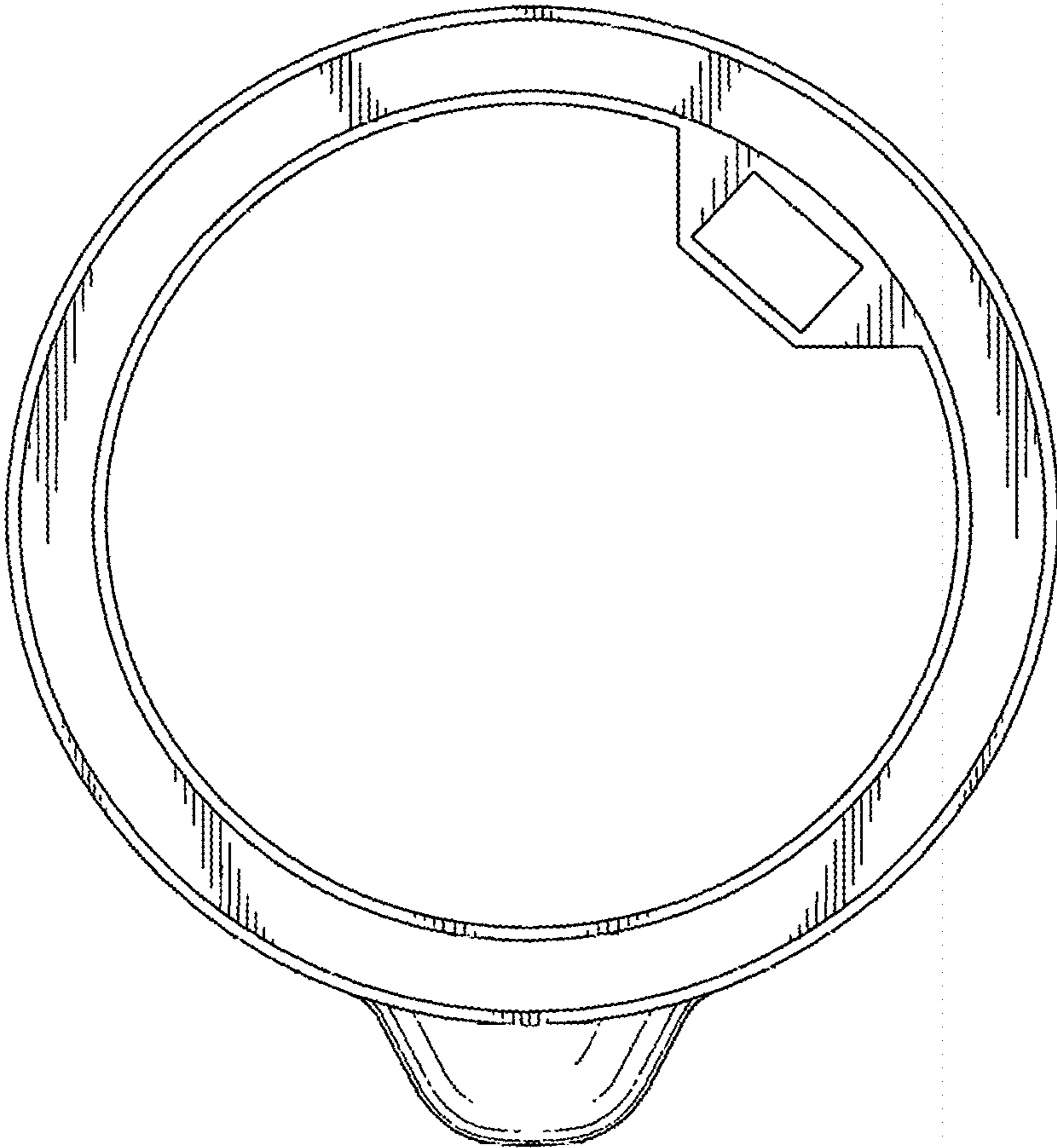


FIG. 4

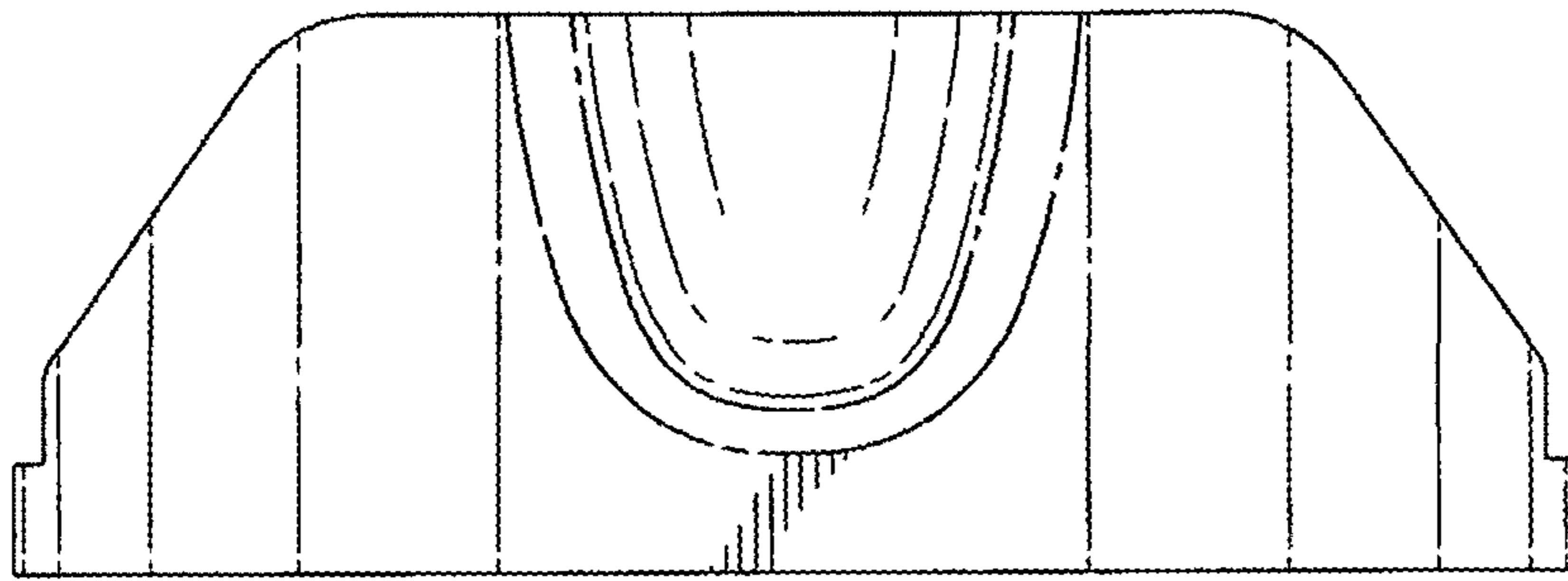


FIG. 5

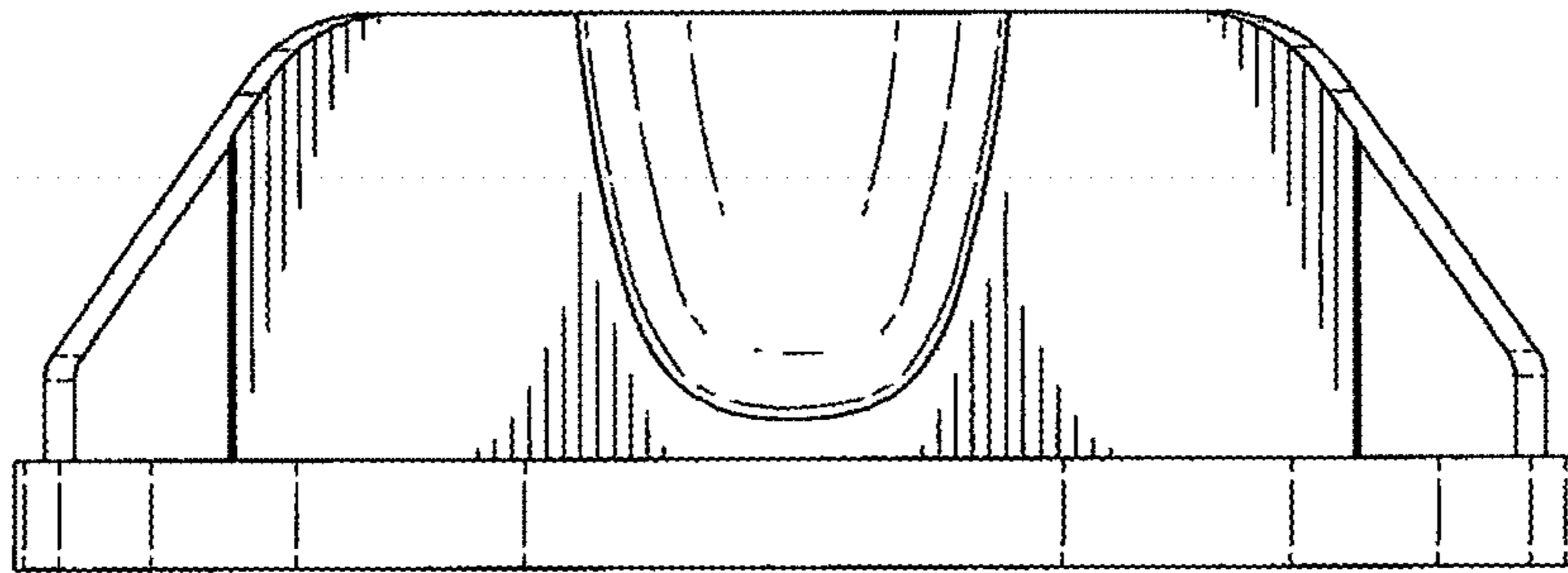


FIG. 6

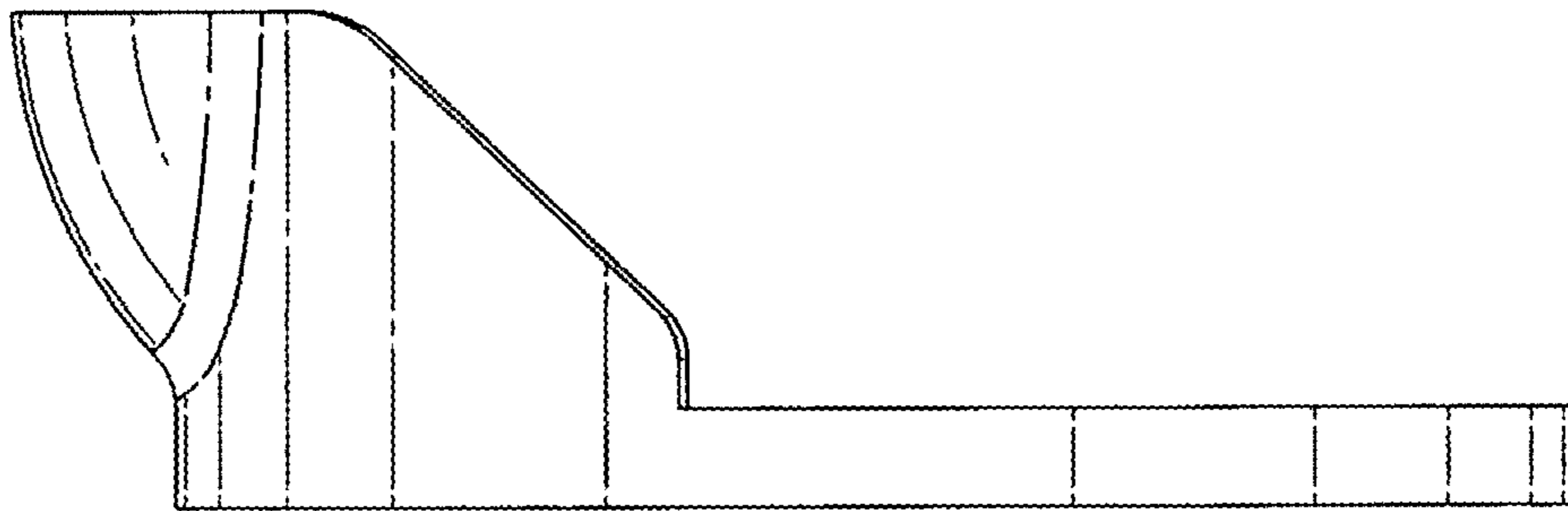


FIG. 7

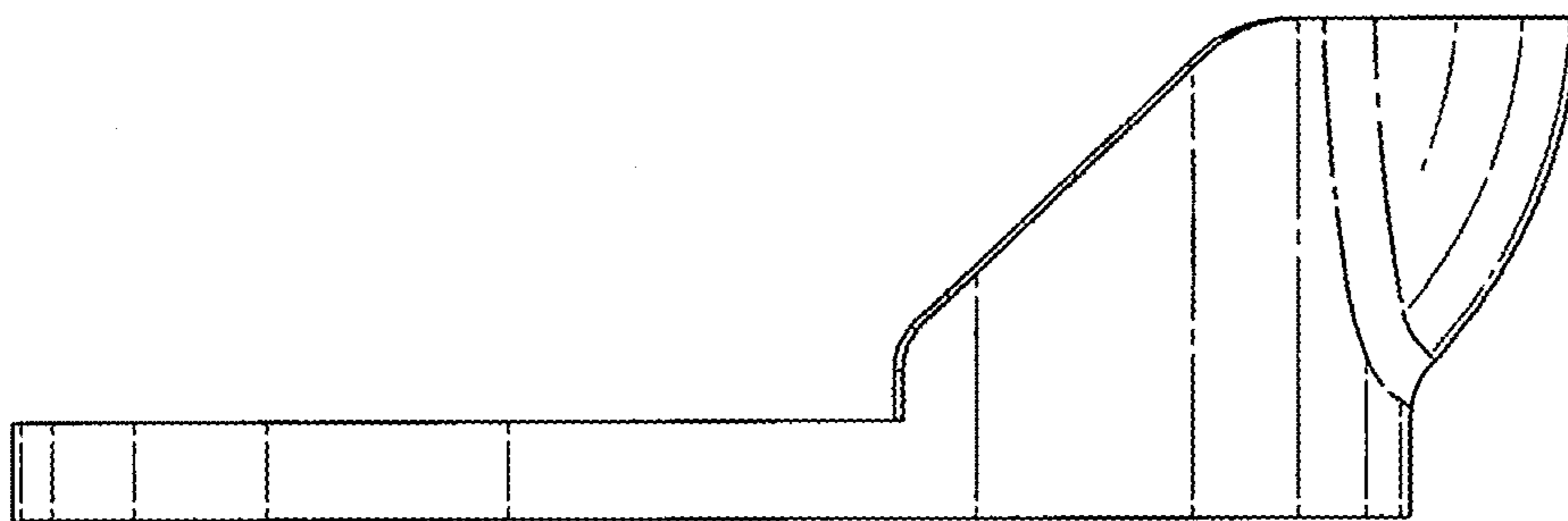


FIG. 8

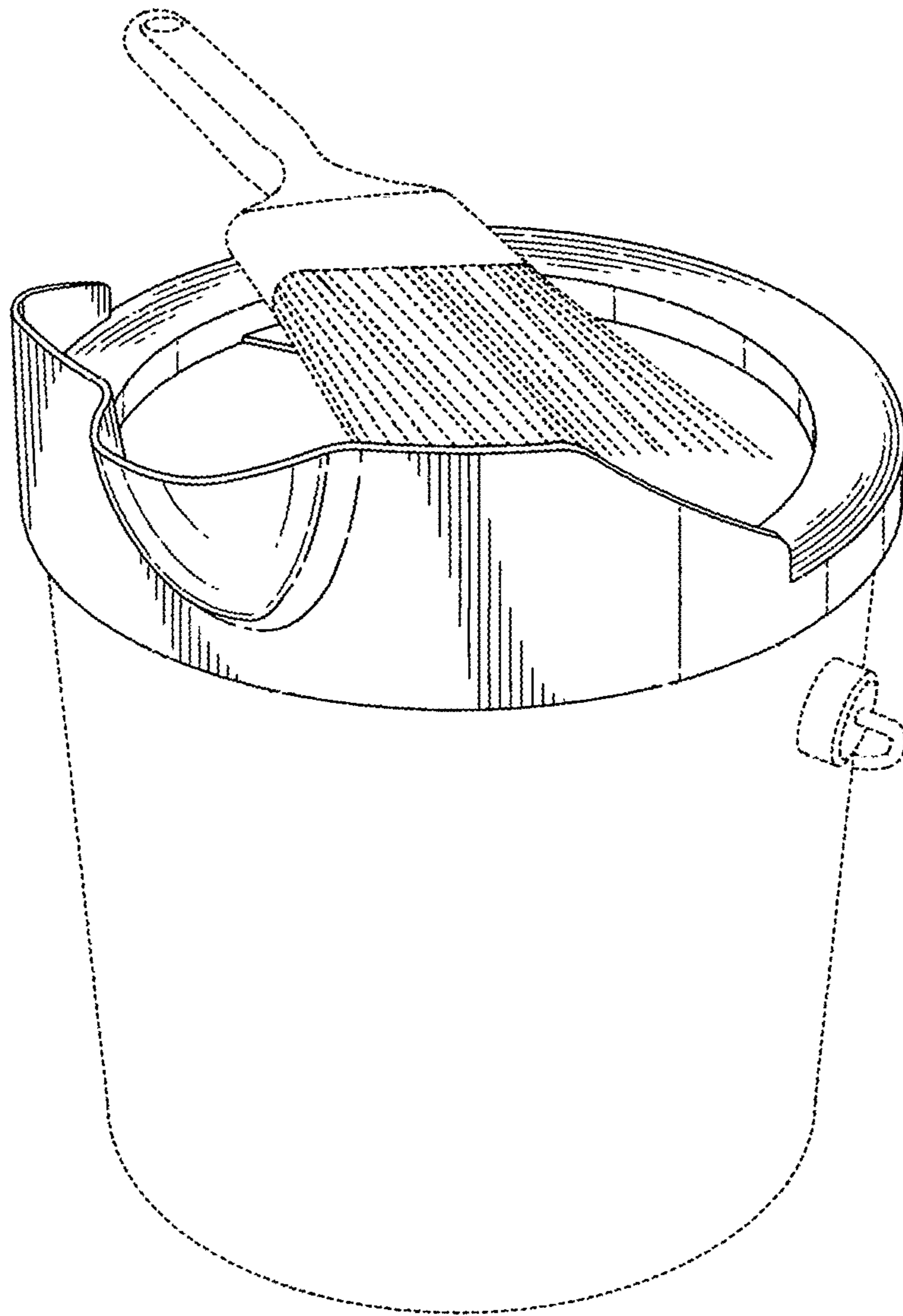


FIG. 9