



US00D887658S

(12) **United States Design Patent**  
**Smith, Jr.**

(10) **Patent No.:** **US D887,658 S**  
(45) **Date of Patent:** **\*\* Jun. 16, 2020**

(54) **SOLAR SWIMMING POOL SKIMMER**

FOREIGN PATENT DOCUMENTS

(71) Applicant: **J. Murray Smith, Jr.**, Dallas, TX (US)  
(72) Inventor: **J. Murray Smith, Jr.**, Dallas, TX (US)  
(\*\*) Term: **15 Years**

FR 2791947 A3 10/2000  
WO WO9109193 A1 6/1991  
WO WO9620772 A1 7/1996

(21) Appl. No.: **29/613,861**  
(22) Filed: **Aug. 14, 2017**  
(51) **LOC (12) Cl.** ..... **15-05**  
(52) **U.S. Cl.**  
USPC ..... **D32/31; D32/21**  
(58) **Field of Classification Search**  
USPC ..... D32/1, 15, 21, 25, 32; D8/354, 349;  
210/143, 745; 15/1.7; 180/305, 429;  
415/148  
CPC ... E04H 4/1672; E04H 4/1663; E04H 4/1654;  
E04H 4/16; E04H 4/1636  
See application file for complete search history.

OTHER PUBLICATIONS

SolaSkimmer posted by Remington Solar posted date Feb. 28, 2017,  
© YouTube, [online], [site visited Jan. 4, 2019]. Available from  
Internet, <https://www.youtube.com/watch?v=XuQjyCIKyVA> (Year:  
2017).\*

(Continued)

*Primary Examiner* — Cynthia Ramirez  
*Assistant Examiner* — Laura H Yu  
(74) *Attorney, Agent, or Firm* — Yee & Associates, P.C.

(57) **CLAIM**

I claim the ornamental design for a solar swimming pool  
skimmer, as shown and described.

**DESCRIPTION**

(56) **References Cited**

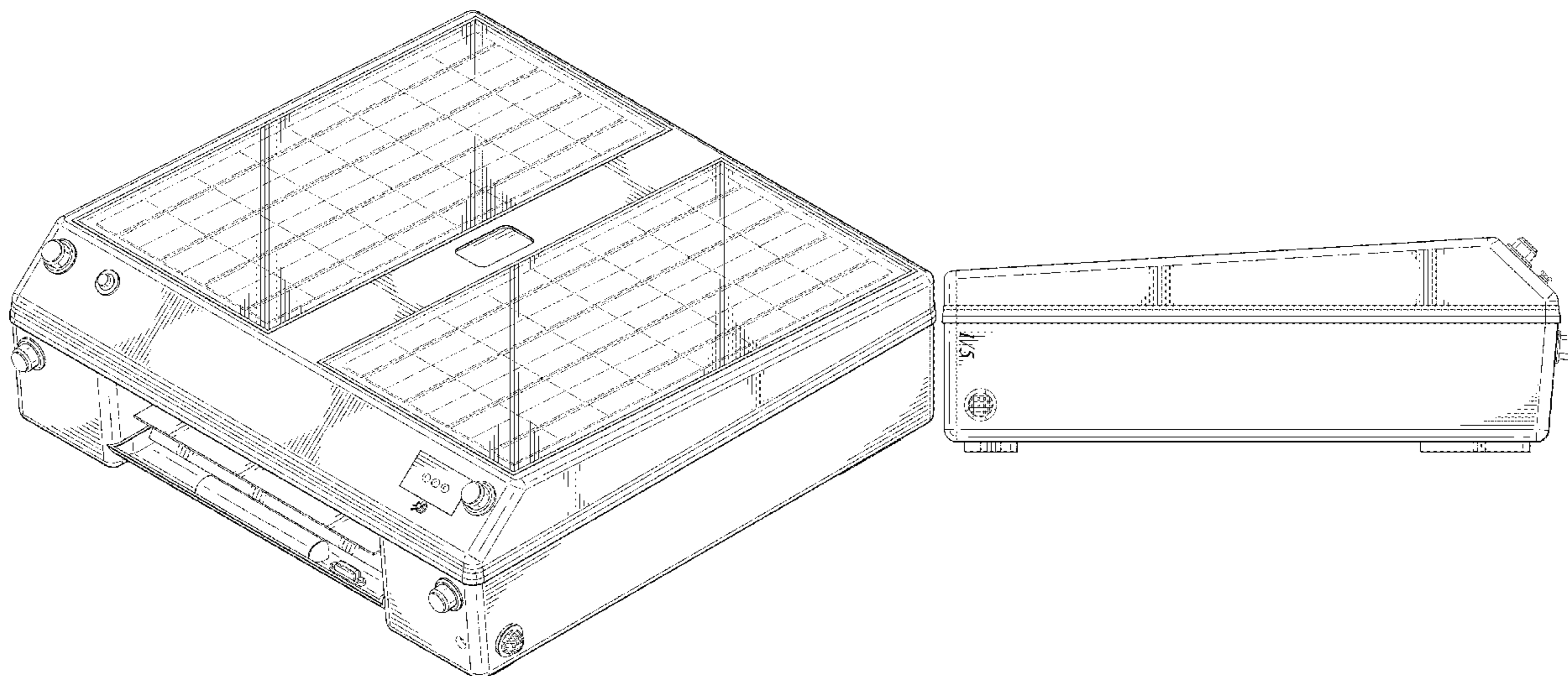
U.S. PATENT DOCUMENTS

3,767,055 A 10/1973 Flatland  
3,860,518 A 1/1975 Henricksen  
4,626,358 A 12/1986 Fetsko  
4,746,424 A 5/1988 Drew  
4,900,432 A 2/1990 Arnold et al.  
5,022,987 A 6/1991 Wells  
5,043,060 A \* 8/1991 Brennan ..... E04H 4/1609  
15/1.7  
5,106,492 A \* 4/1992 Distinti ..... E04H 4/1263  
15/1.7  
5,128,031 A 7/1992 Midkiff  
5,143,605 A 9/1992 Masciarelli  
5,167,805 A \* 12/1992 Theiss ..... E04H 4/1609  
15/1.7  
5,961,822 A 10/1999 Polimeni, Jr.  
6,074,553 A 6/2000 Haski

(Continued)

FIG. 1 is an isometric view of the solar swimming pool  
skimmer;  
FIG. 2 is a front view of the solar swimming pool skimmer;  
FIG. 3 is a rear view of the solar swimming pool skimmer;  
FIG. 4 is a left side view of the solar swimming pool  
skimmer;  
FIG. 5 is a right side view of the solar swimming pool  
skimmer;  
FIG. 6 is a top side view of the solar swimming pool  
skimmer; and,  
FIG. 7 is a bottom side view of the solar swimming pool  
skimmer.  
The broken lines displayed in all views are included to show  
unclaimed portions of the solar swimming pool skimmer  
which form no part of the claimed design.

**1 Claim, 5 Drawing Sheets**



(56)

References Cited

U.S. PATENT DOCUMENTS

7,037,038 B1 \* 5/2006 Haski ..... B63B 35/32  
210/242.1  
7,101,475 B1 9/2006 Maaske et al.  
7,314,571 B2 1/2008 Lovestead et al.  
7,504,025 B2 3/2009 Burgassi  
7,504,027 B2 3/2009 Cosentino  
8,475,656 B1 7/2013 Neumann  
2006/0060513 A1 3/2006 Craig  
2006/0102532 A1 5/2006 Cadotte  
2012/0305461 A1 12/2012 Veronie  
2018/0208278 A1 \* 7/2018 Klebanov ..... E04H 4/1654

OTHER PUBLICATIONS

SolaSkimmer Time Lapse posted by Remington Solar posted date  
Mar. 30, 2017, © YouTube, [online], [site visited Jan. 4, 2019].

Available from Internet, <https://www.youtube.com/watch?v=lpqGLTjKUjY> (Year: 2017).\*

Solar Pool Cleaner posted by Solar Breeze posted review date Jul. 3, 2016, © Amazon, [online], [site visited Jan. 4, 2019]. Available from Internet, <https://www.amazon.com/Solar-Breeze-004801100000-Pool-Skimmer/dp/B00DF7WCWE> (Year: 2016).\*

Solar Pool and Pond Skimmer Power posted by Natural Current posted date Sep. 16, 2012, © YouTube, [online], [site visited Jan. 4, 2019]. Available from Internet, <https://www.youtube.com/watch?v=utF0epdXPFs> (Year: 2012).\*

“Pool Surface Skimmers and Cleaners,” Aqualab Systems., Inc., copyright 2002-17, accessed Aug. 14, 2017, 9 pages. [http://www.askalanaquestion.com/pool\\_surface\\_skimmers.htm](http://www.askalanaquestion.com/pool_surface_skimmers.htm).

“Solar Breeze, Automatic Pool Skimmer, Pool Cleaning Revolution,” Solar Breeze, copyright 2002-2017, accessed Aug. 14, 2017, 4 pages. <https://solar-breeze.com/solar-breeze-automatic-pool-skimmer/>.

“Pool Surface Cleaners,” Dragonfly, copyright 2017, accessed Aug. 14, 2017, 4 pages. <https://www.dragonfly.biz/automatic-pool-cleaners/>.

\* cited by examiner

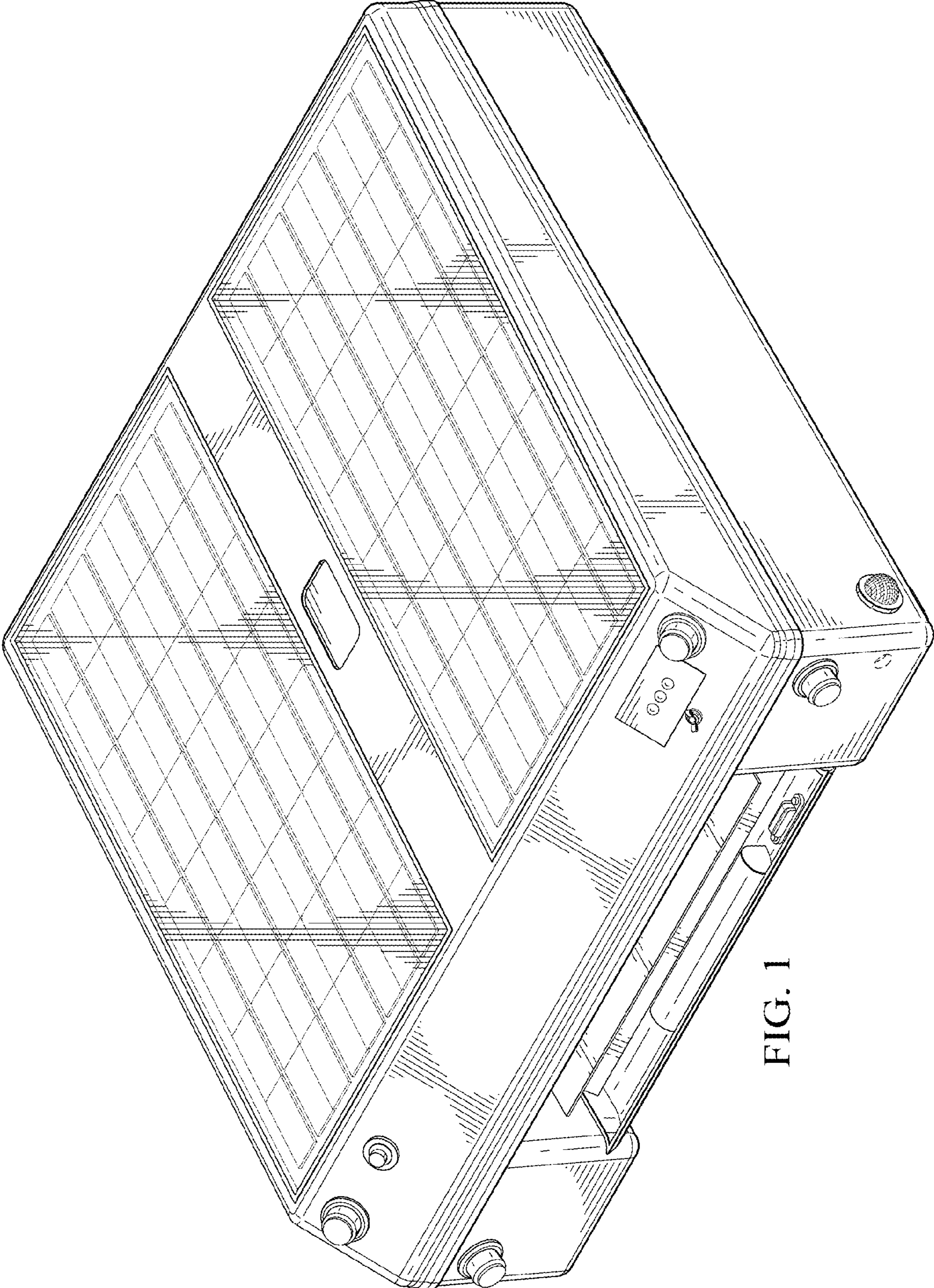


FIG. 1

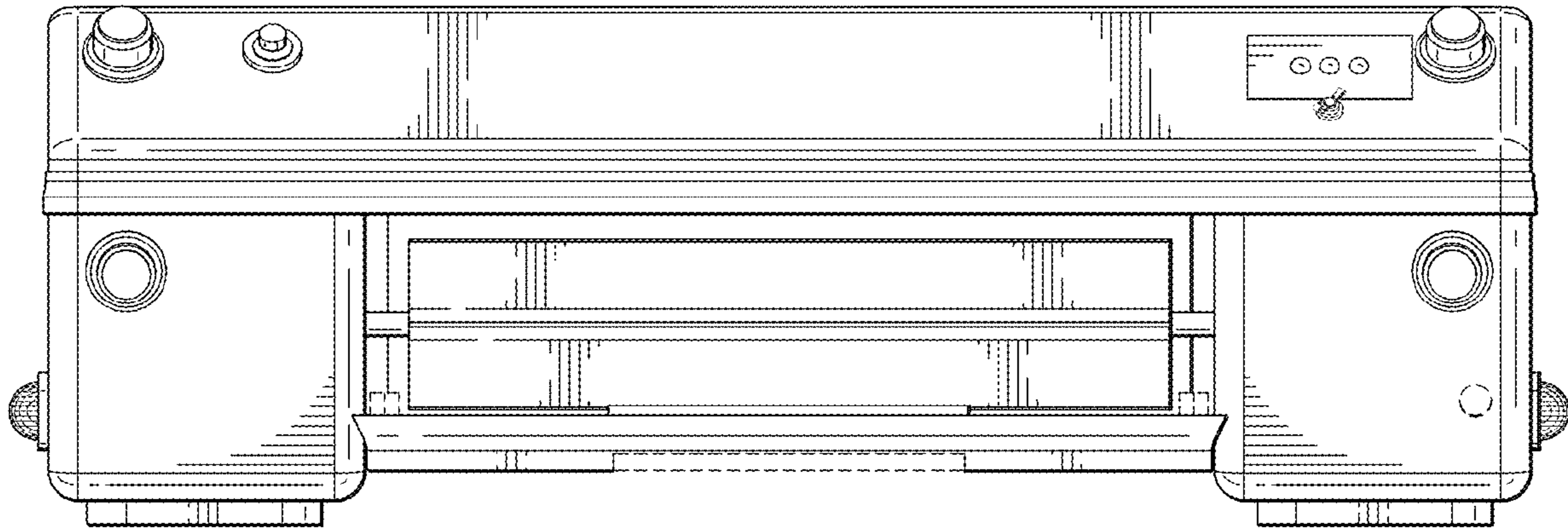


FIG. 2

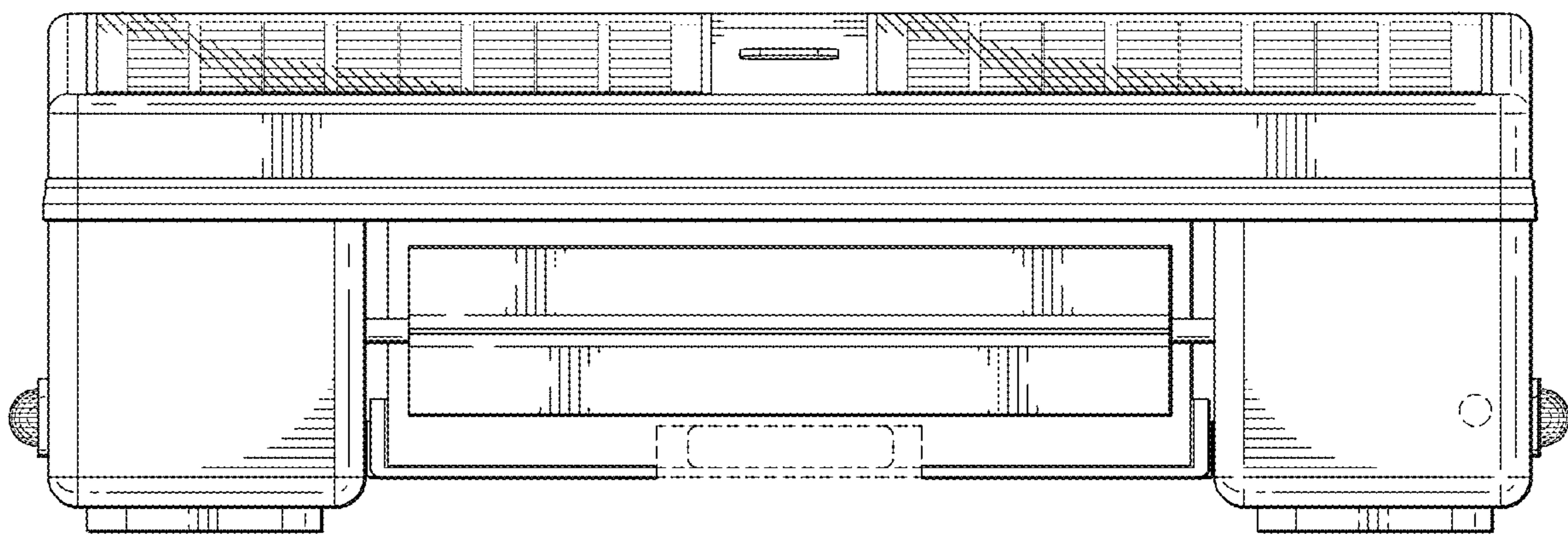


FIG. 3

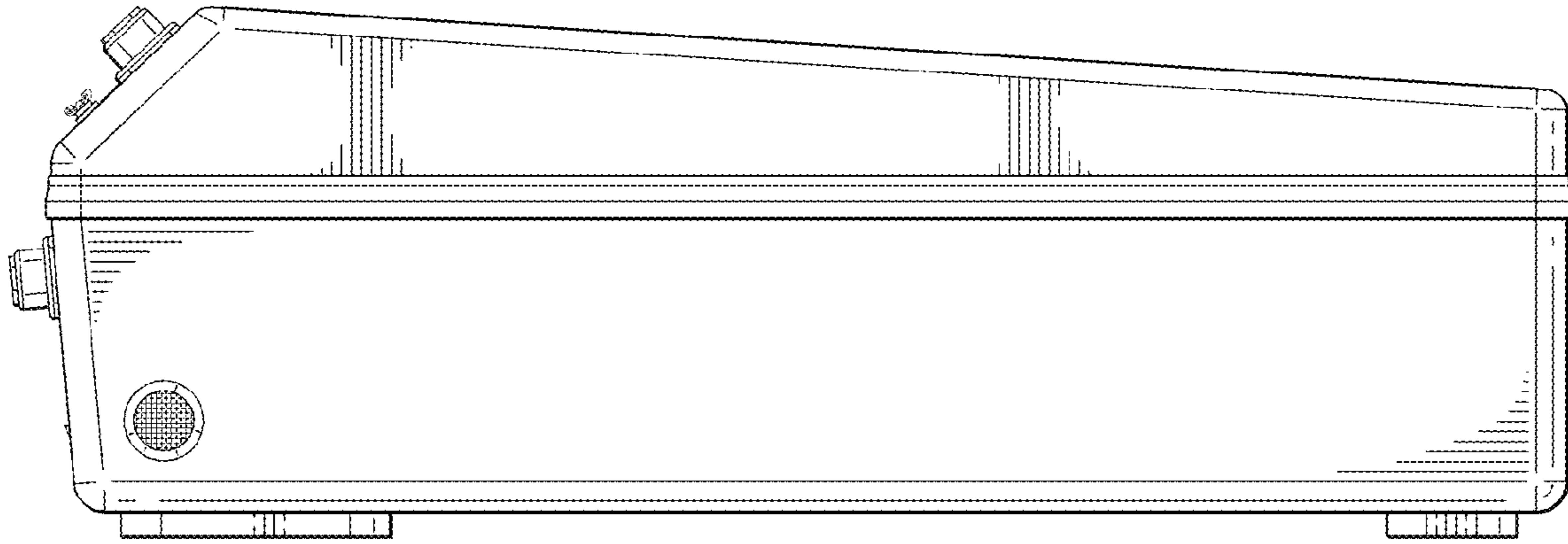


FIG. 4

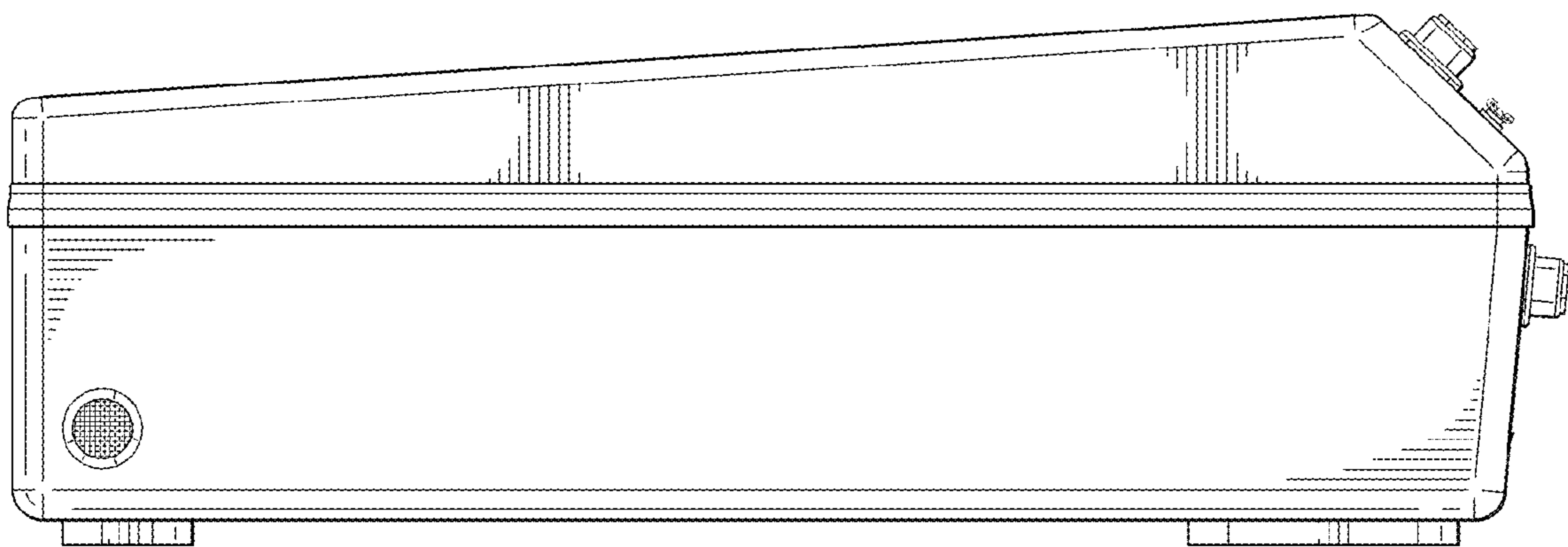


FIG. 5

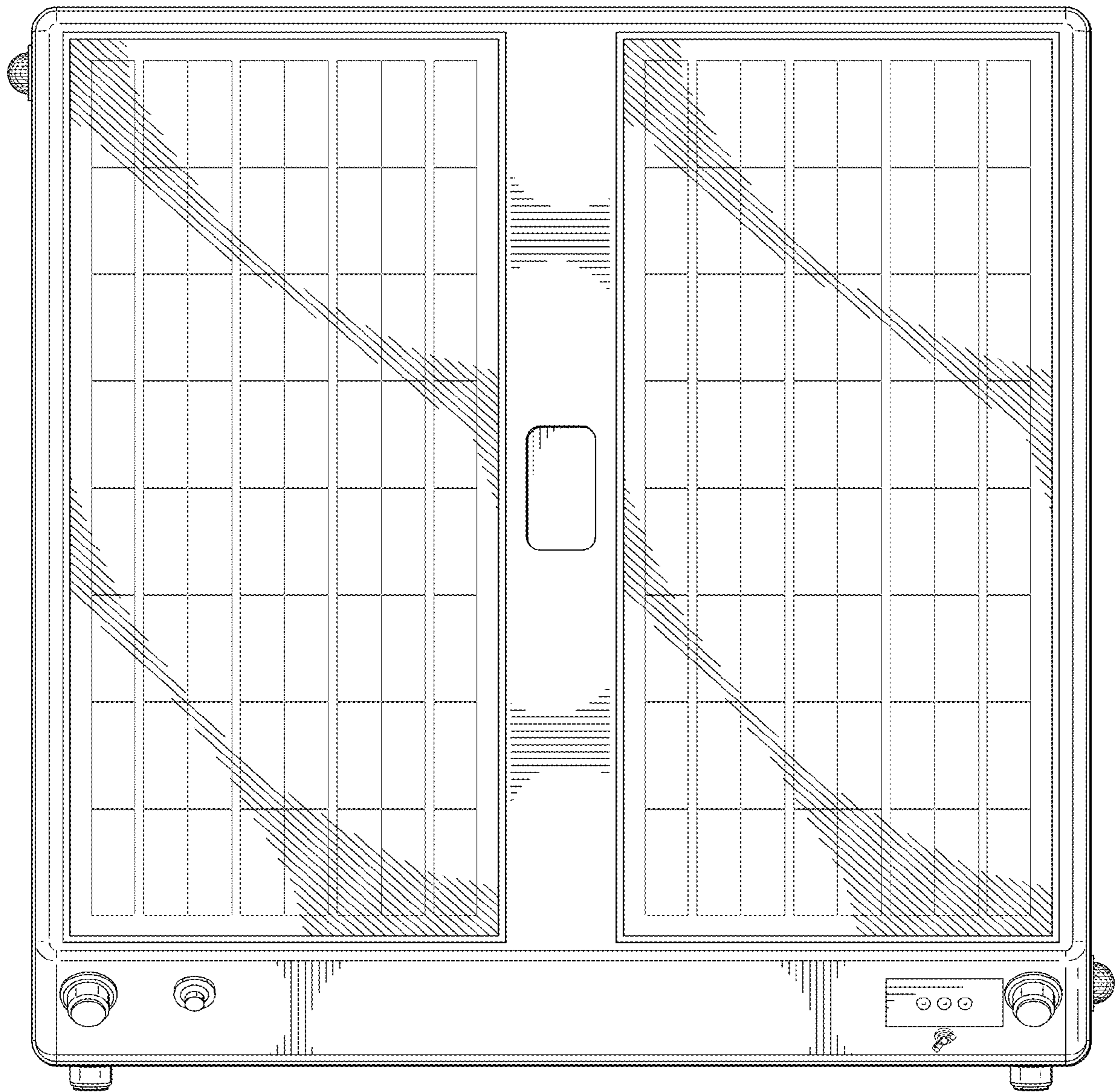


FIG. 6

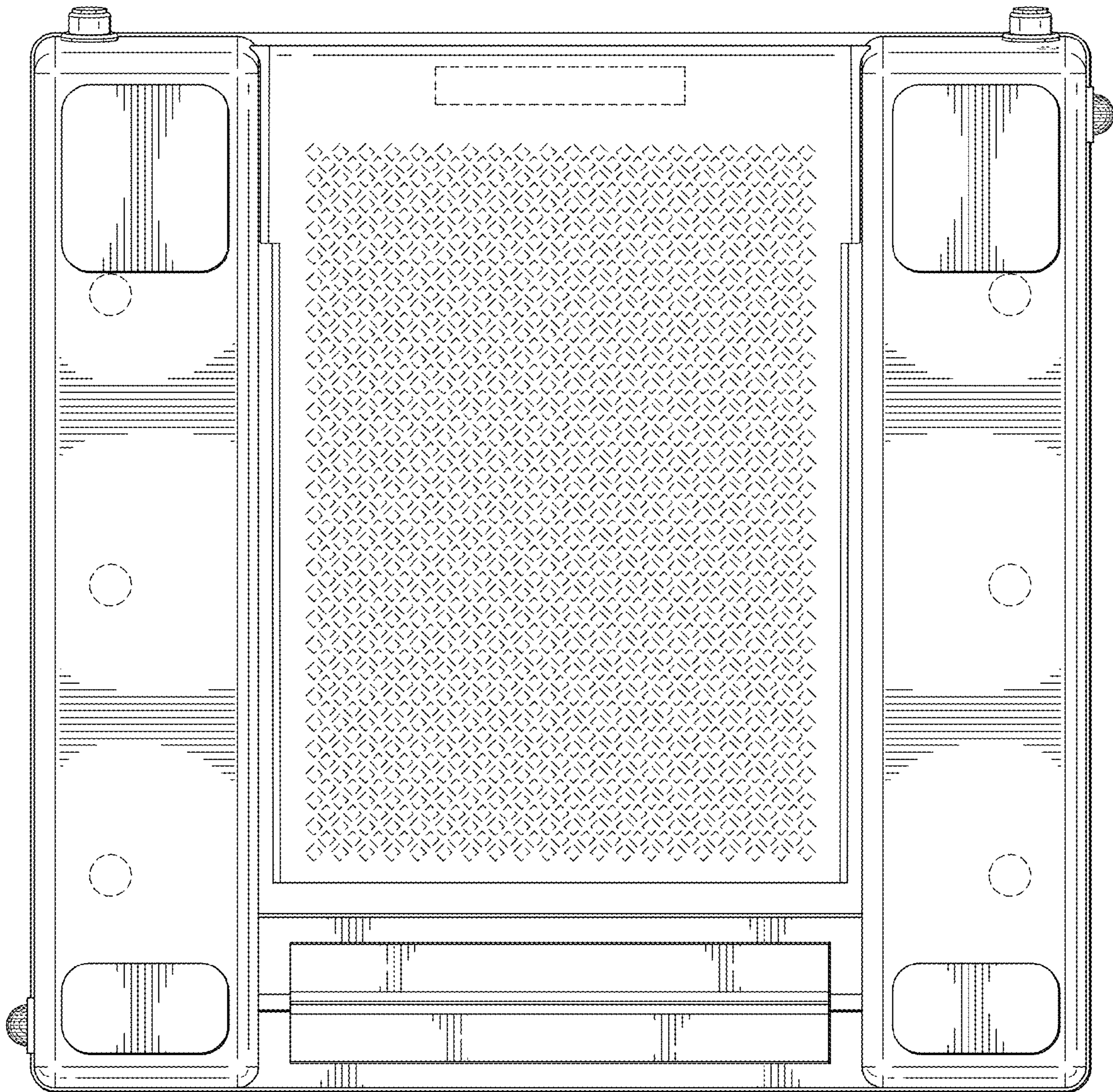


FIG. 7