



US00D887657S

(12) **United States Design Patent**
Palladino et al.

(10) **Patent No.:** **US D887,657 S**
(45) **Date of Patent:** **** Jun. 16, 2020**

- (54) **VACUUM CLEANER**
- (71) Applicant: **SharkNinja Operating, LLC**,
Needham, MA (US)
- (72) Inventors: **Gary Palladino**, Sommerville, MA
(US); **Owen R. Johnson**, Needham,
MA (US)
- (73) Assignee: **SharkNinja Operating LLC**,
Needham, MA (US)
- (**) Term: **15 Years**
- (21) Appl. No.: **29/659,733**
- (22) Filed: **Aug. 10, 2018**
- (51) **LOC (12) Cl.** **15-05**
- (52) **U.S. Cl.**
USPC **D32/22**
- (58) **Field of Classification Search**
USPC D32/22, 31, 17
CPC A47L 11/20; A47L 11/34; A47L 11/40;
A47L 11/4016; A47L 5/28; A47L 5/24;
A47L 7/02
See application file for complete search history.

D798,009 S *	9/2017	Salagnac	D32/18
D799,767 S *	10/2017	Palladino	D32/22
D814,723 S *	4/2018	Palladino	D32/31
D819,282 S *	5/2018	Kim	D32/22
D821,846 S *	7/2018	Trussardi	D8/331
D824,616 S *	7/2018	Ward	D32/22
10,405,710 B2 *	9/2019	Conrad	A47L 5/24
2014/0060577 A1 *	3/2014	Bruders	A47L 11/4044 134/6

* cited by examiner

Primary Examiner — Ruth McInroy

(74) *Attorney, Agent, or Firm* — Grossman Tucker
Perreault & Pflieger, PLLC

(57) **CLAIM**

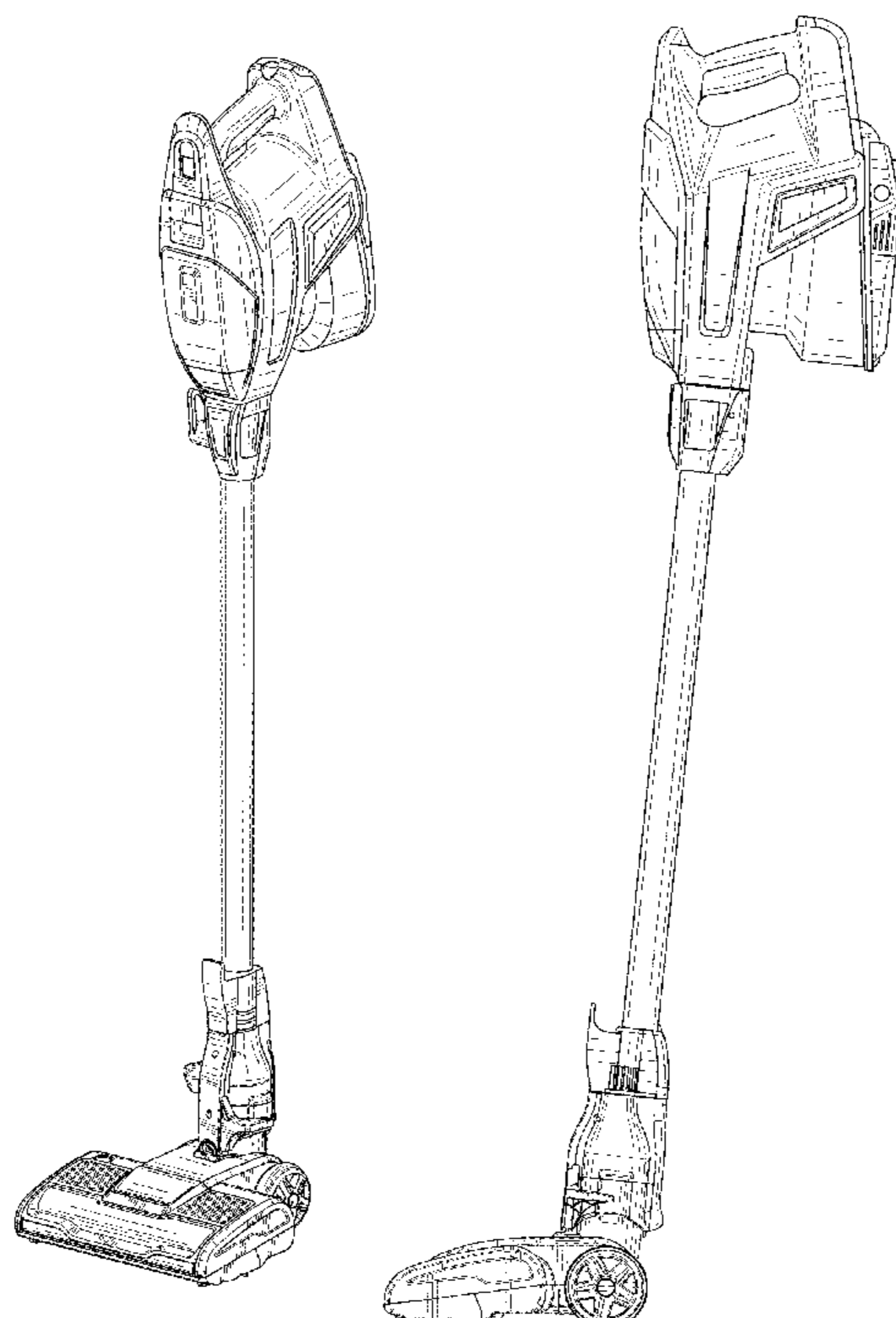
We claim the ornamental design for a vacuum cleaner, as shown and described.

DESCRIPTION

FIG. 1 is a front, top, left side perspective view of a vacuum cleaner showing our new design;
 FIG. 2 is a front, top, right perspective view thereof;
 FIG. 3 is a rear, top, left perspective view thereof;
 FIG. 4 is a front view thereof;
 FIG. 5 is a rear view thereof;
 FIG. 6 is a left side view thereof;
 FIG. 7 is a right side view thereof;
 FIG. 8 is a top view thereof; and,
 FIG. 9 is a bottom view thereof.
 Broken lines in the drawings are for the purpose of illustrating portions of the battery pack that form no part of the claimed design.

1 Claim, 8 Drawing Sheets

- (56) **References Cited**
U.S. PATENT DOCUMENTS
- D635,728 S * 4/2011 Fjellman D32/22
- 9,027,198 B2 * 5/2015 Conrad A47L 9/16
15/344
- D731,133 S * 6/2015 Dyson D32/31
- D738,584 S * 9/2015 Niedzwecki D32/22
- 9,314,139 B2 * 4/2016 Conrad A47L 5/24
- 9,451,853 B2 * 9/2016 Conrad A47L 5/24



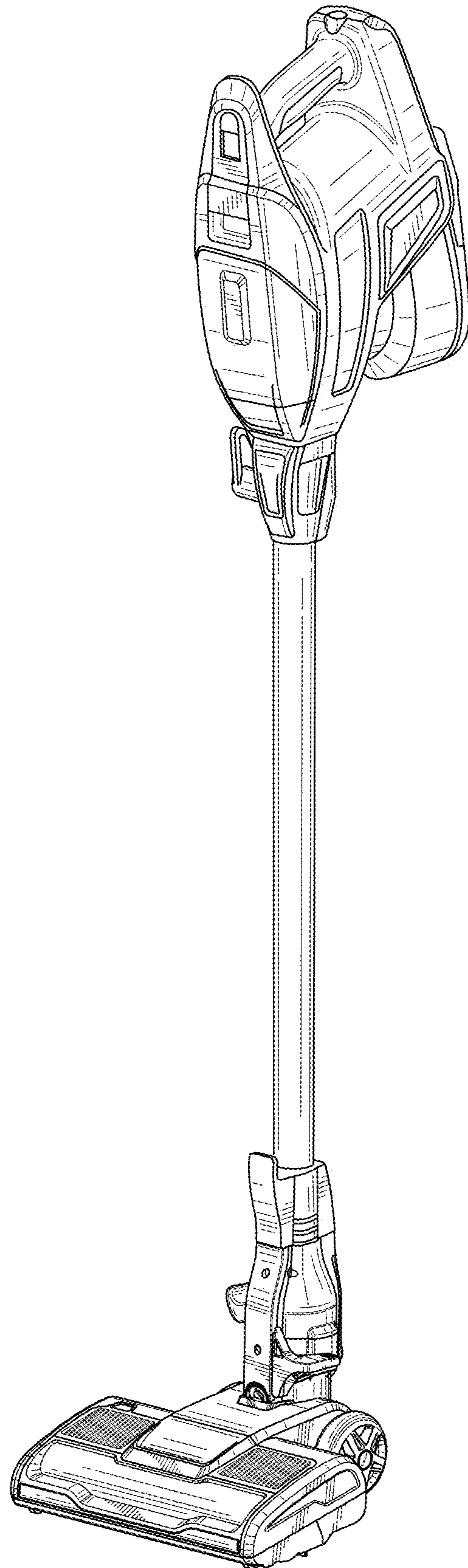


FIG. 1

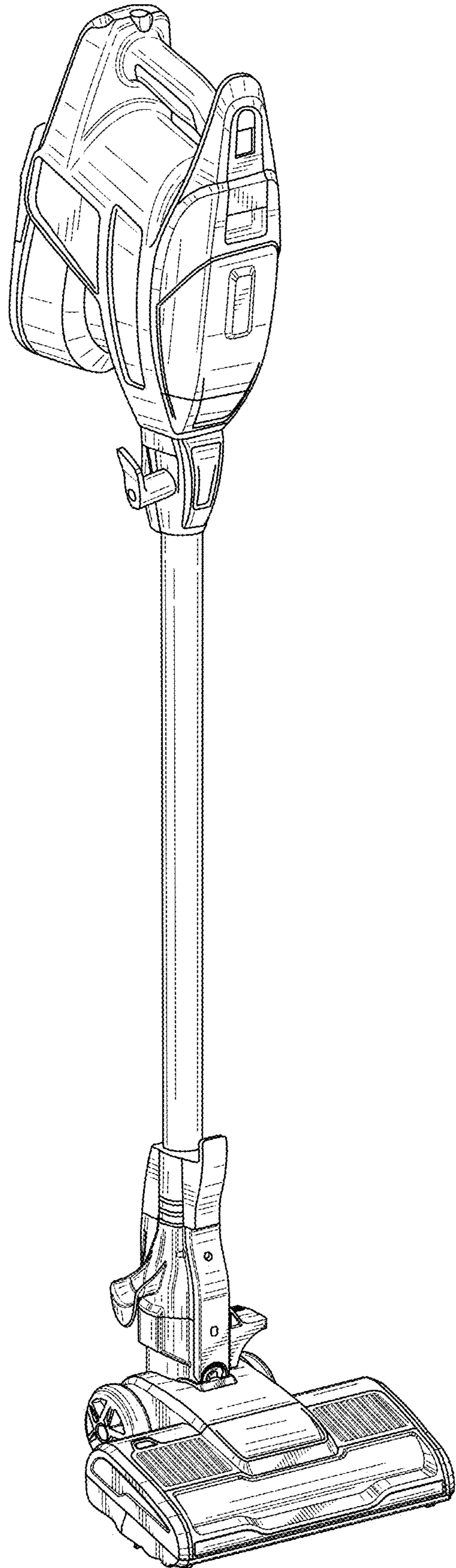


FIG. 2

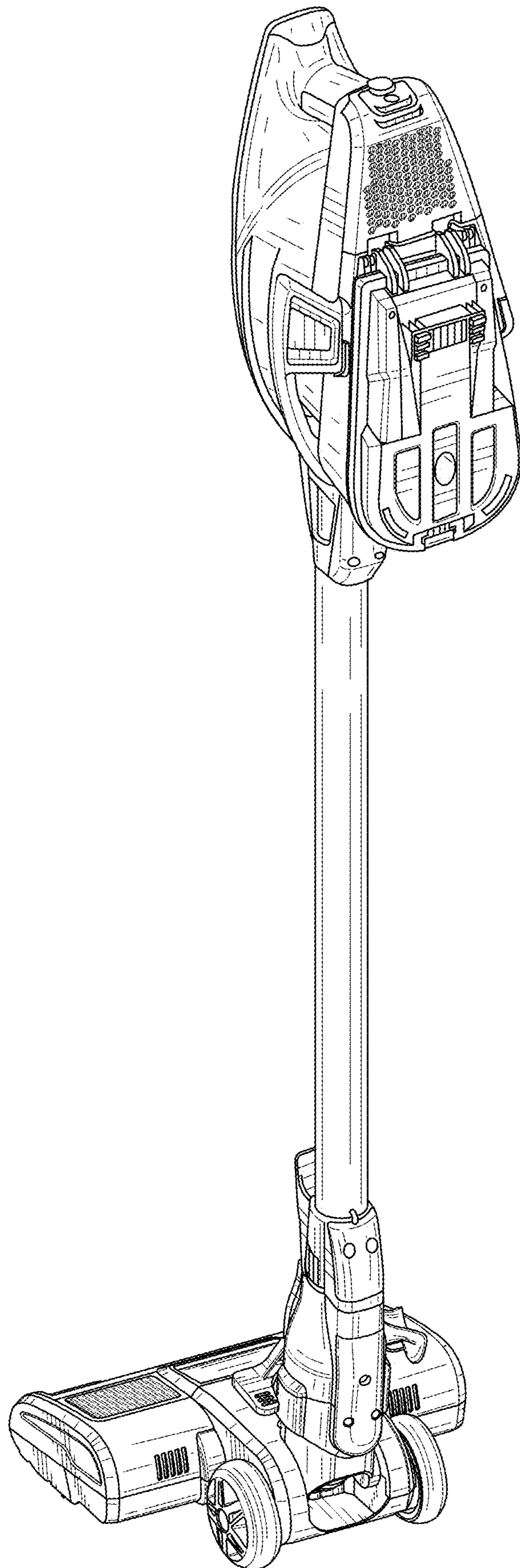


FIG. 3

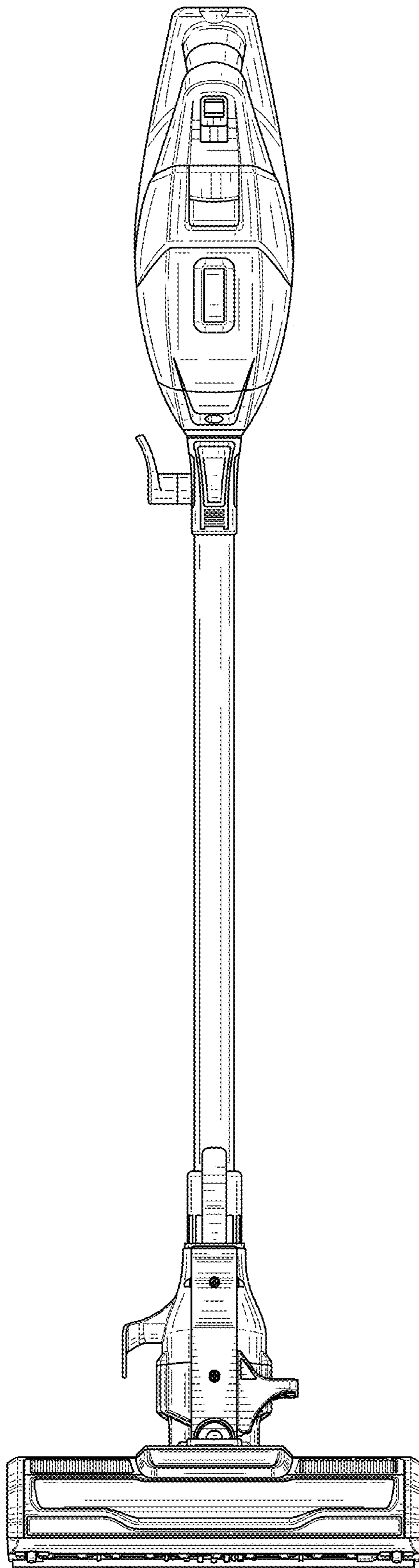


FIG. 4

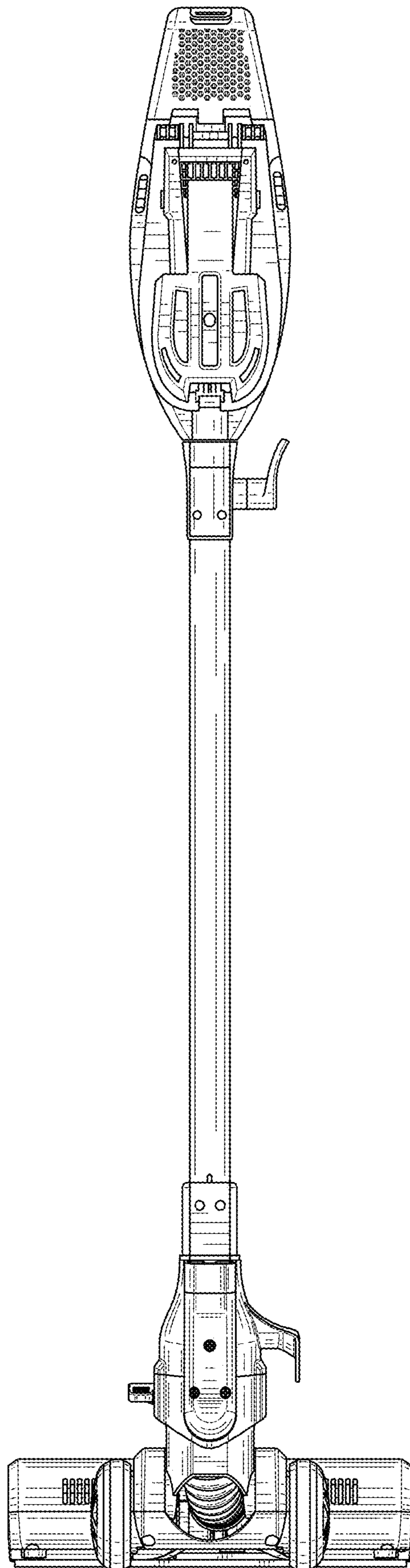


FIG. 5

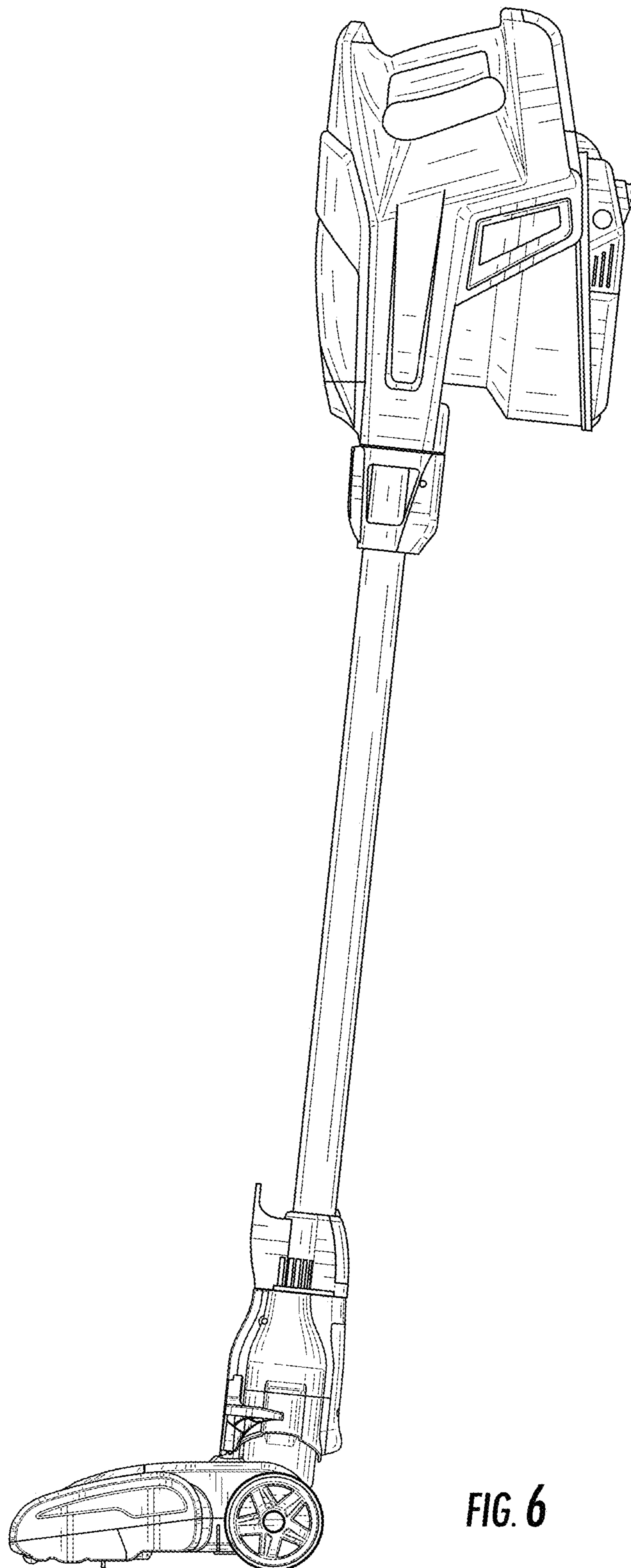


FIG. 6

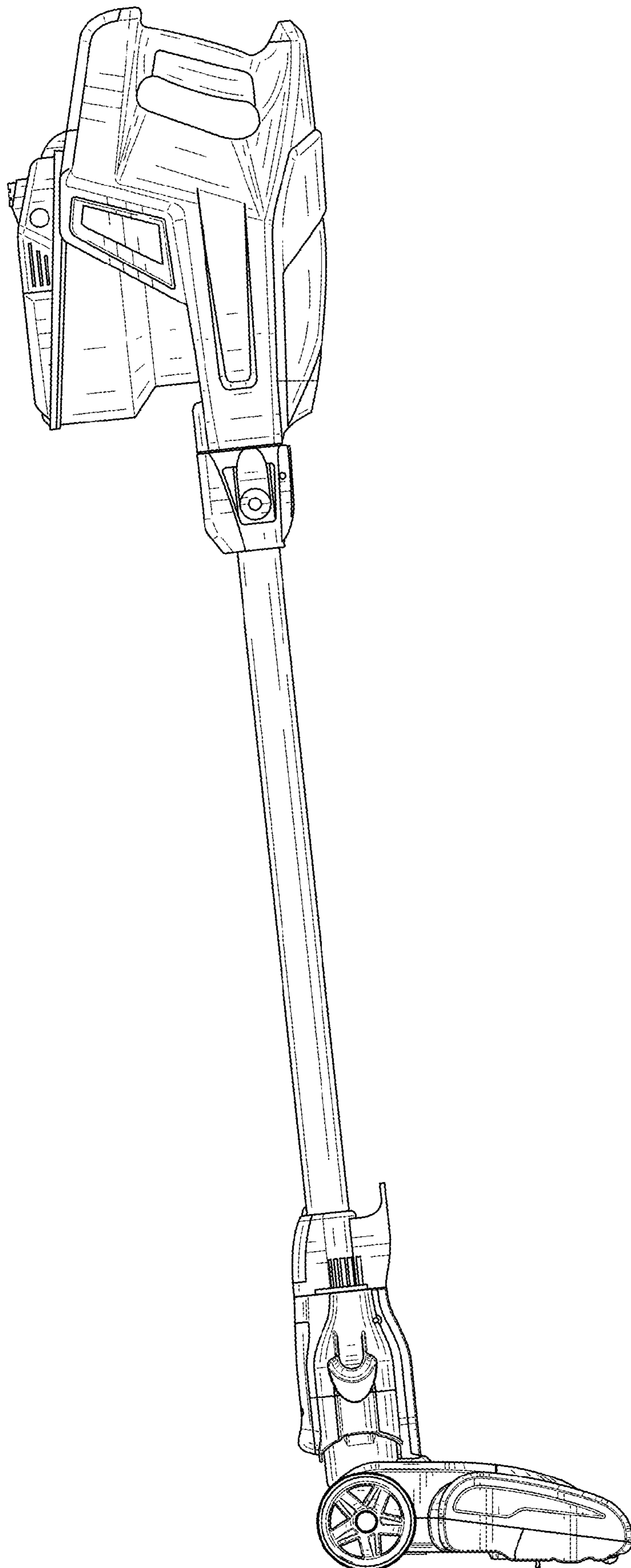


FIG. 7

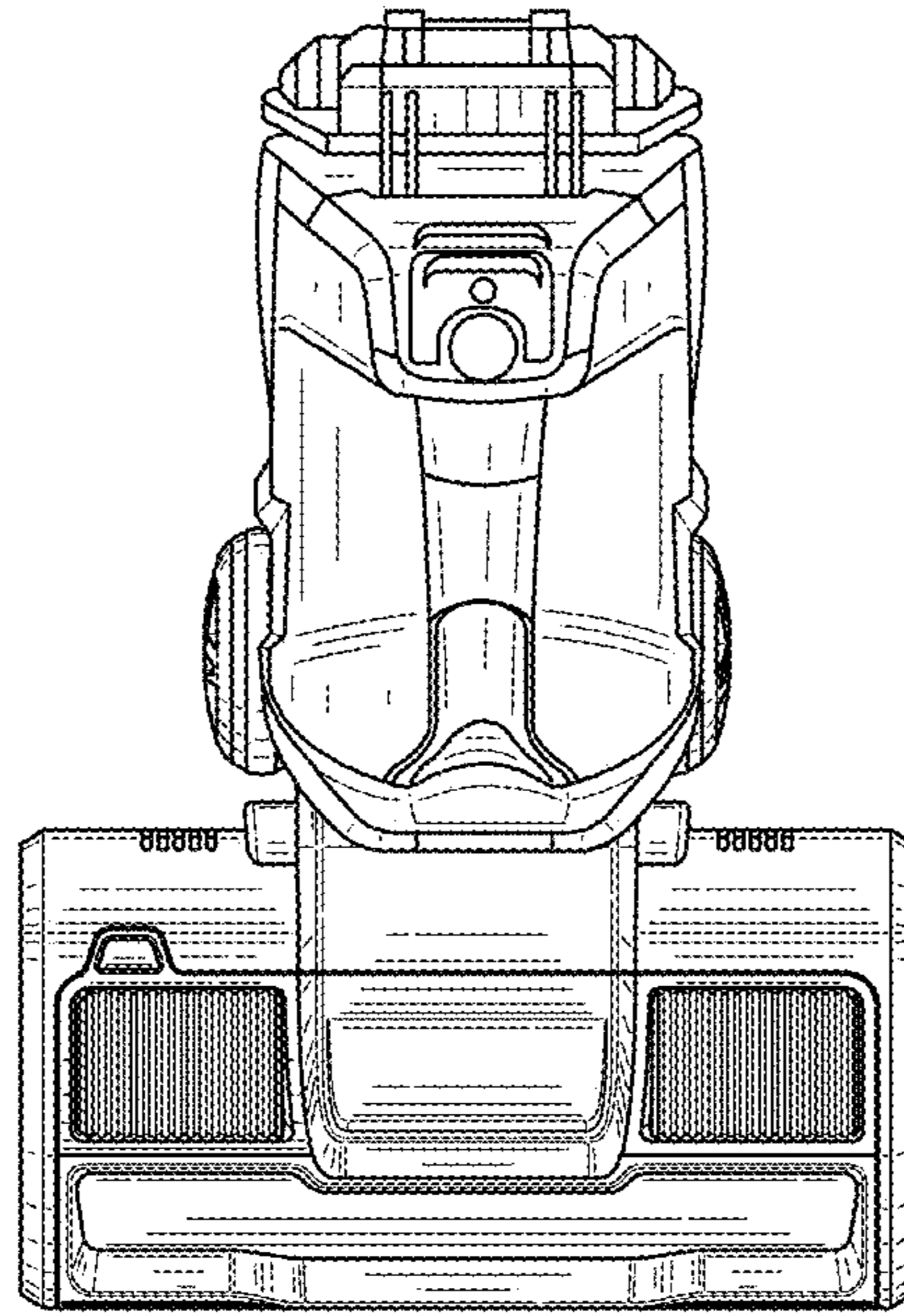


FIG. 8

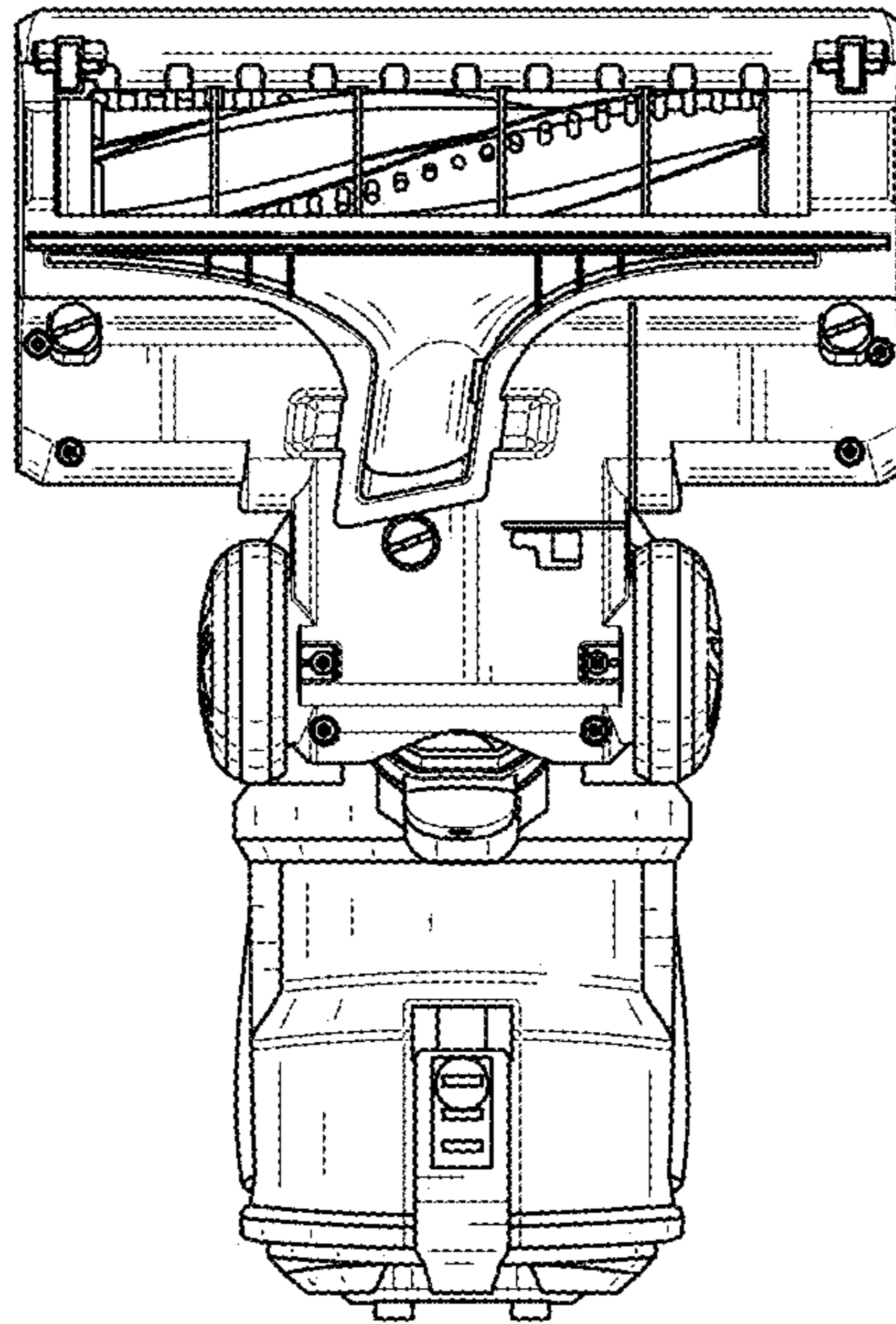


FIG. 9