



US00D887652S

(12) **United States Design Patent**  
**Taylor**

(10) **Patent No.:** **US D887,652 S**  
(45) **Date of Patent:** **\*\* Jun. 16, 2020**

(54) **HANDS FREE RETRACTABLE PET LEASH**

D839,758 S \* 2/2019 Mallozzi ..... D10/72  
D856,175 S \* 8/2019 Anderson ..... D10/72  
D859,188 S \* 9/2019 Anderson ..... D10/72

(71) Applicant: **Gregory William Taylor**, Dillon, CO  
(US)

(72) Inventor: **Gregory William Taylor**, Dillon, CO  
(US)

(\*\*) Term: **15 Years**

(21) Appl. No.: **29/653,044**

(22) Filed: **Jun. 12, 2018**

(51) **LOC (12) Cl.** ..... **30-04**

(52) **U.S. Cl.**  
USPC ..... **D30/153**

(58) **Field of Classification Search**  
USPC ..... D10/72, 74; D30/152, 153  
CPC ..... A01K 27/004  
See application file for complete search history.

(56) **References Cited**

**U.S. PATENT DOCUMENTS**

D150,947 S *	9/1948	Grandon et al. ....	D30/153
4,165,713 A *	8/1979	Brawner .....	A01K 27/004
			119/794
D337,866 S *	7/1993	Wiens .....	D30/152
D420,605 S *	2/2000	Caplan .....	D10/72
D438,478 S *	3/2001	Lin .....	D10/72
D466,035 S *	11/2002	Odachowski .....	D10/72
6,497,050 B1 *	12/2002	Ricalde .....	B25H 7/04
			33/770
D613,002 S *	3/2010	Lopusnak .....	D30/153
D640,426 S *	6/2011	Okumura .....	D30/153
D650,952 S *	12/2011	Kaneko .....	D30/153
D667,743 S *	9/2012	Huang .....	D10/72
D685,956 S *	7/2013	Zhu .....	D30/153
D686,514 S *	7/2013	Robinson .....	D10/72
D771,324 S *	11/2016	Churchill .....	D30/153
D788,611 S *	6/2017	Anderson .....	D10/72
D805,930 S *	12/2017	Ou .....	D10/72

**OTHER PUBLICATIONS**

“Petmate 10076 Translucent Palm Retractable Pet Leash.” Found online Jan. 28, 2020 at www.amazon.com. Product reviewed Jan. 20, 2015. Retrieved from URL: https://www.amazon.com/Petmate-10076-Translucent-Retractable-Assorted/dp/B008JONROE (Year: 2015).\*

(Continued)

*Primary Examiner* — Mary Ann Calabrese  
*Assistant Examiner* — Kateline G Kloberg  
(74) *Attorney, Agent, or Firm* — Dunlap Bennett & Ludwig PLLC; Brendan E. Squire

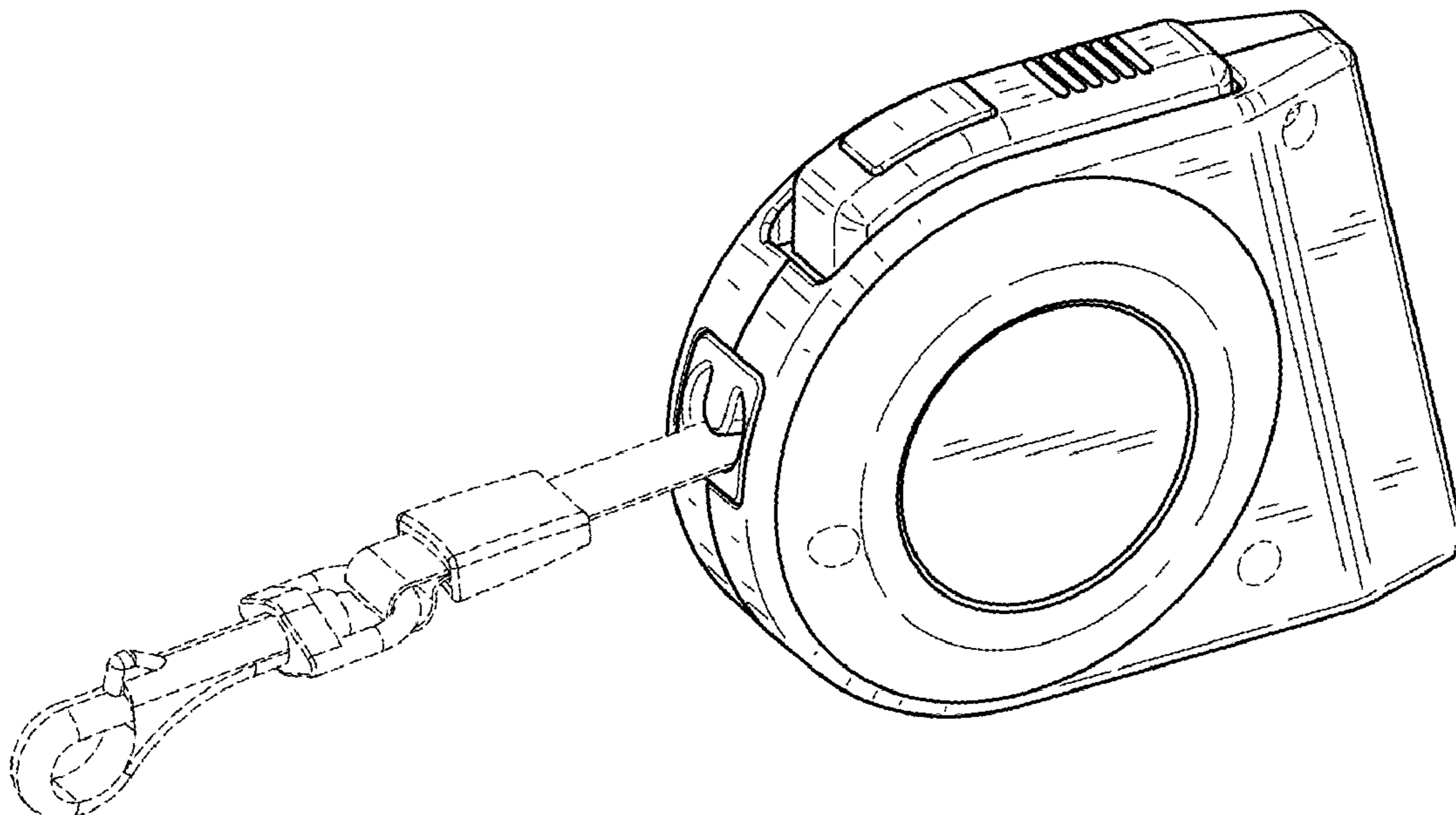
(57) **CLAIM**

The ornamental design for a hands free retractable pet leash, as shown and described.

**DESCRIPTION**

FIG. 1 is a front perspective view of a hands free retractable pet leash showing my new design;  
FIG. 2 is a left side elevation view;  
FIG. 3 is a right side elevation view thereof;  
FIG. 4 is a front elevation view thereof;  
FIG. 5 is a rear elevation view thereof;  
FIG. 6 is a top plan view thereof; and,  
FIG. 7 is a bottom plan view thereof.  
The broken lines shown in the drawings illustrate portions of the hands free retractable pet leash that form no part of the claimed design.  
The dash-dot-dash lines in the drawings illustrate a boundary that forms no part of the claimed design.

**1 Claim, 2 Drawing Sheets**



(56)

**References Cited**

OTHER PUBLICATIONS

“ReLeash Hands Free 9ft Retractable Dog Leash.” Found online Jan. 28, 2020 at [www.amazon.com](http://www.amazon.com). Product reviewed Jul. 22, 2018. Retrieved from URL: <https://www.amazon.com/ReLeash-Light-Retractable-Walking-Training-Jogging/dp/B07LC5ZNK5?th=1> (Year: 2018).\*

“Reelcraft TB 03 Spring Retractable Tool Balancer.” Found online Jan. 28, 2020 at [www.amazon.com](http://www.amazon.com). Product reviewed Feb. 20, 2015. Retrieved from URL: [https://www.amazon.com/dp/b002jfr1ds?&tag=admarketus-20&ref=pd\\_sl\\_a316E02D06192894E32387F208](https://www.amazon.com/dp/b002jfr1ds?&tag=admarketus-20&ref=pd_sl_a316E02D06192894E32387F208) (Year: 2015).\*

“Heavy Duty Retractable Ratchit Keychain Tether Reel.” Found online Jan. 28, 2020 at [www.amazon.com](http://www.amazon.com). Product first available Dec. 6, 2018. Retrieved from URL: <https://www.amazon.com/Retractable-Ratchit-Keychain-Tether-Multiple/dp/B07L465ZBW> (Year: 2018).\*

\* cited by examiner

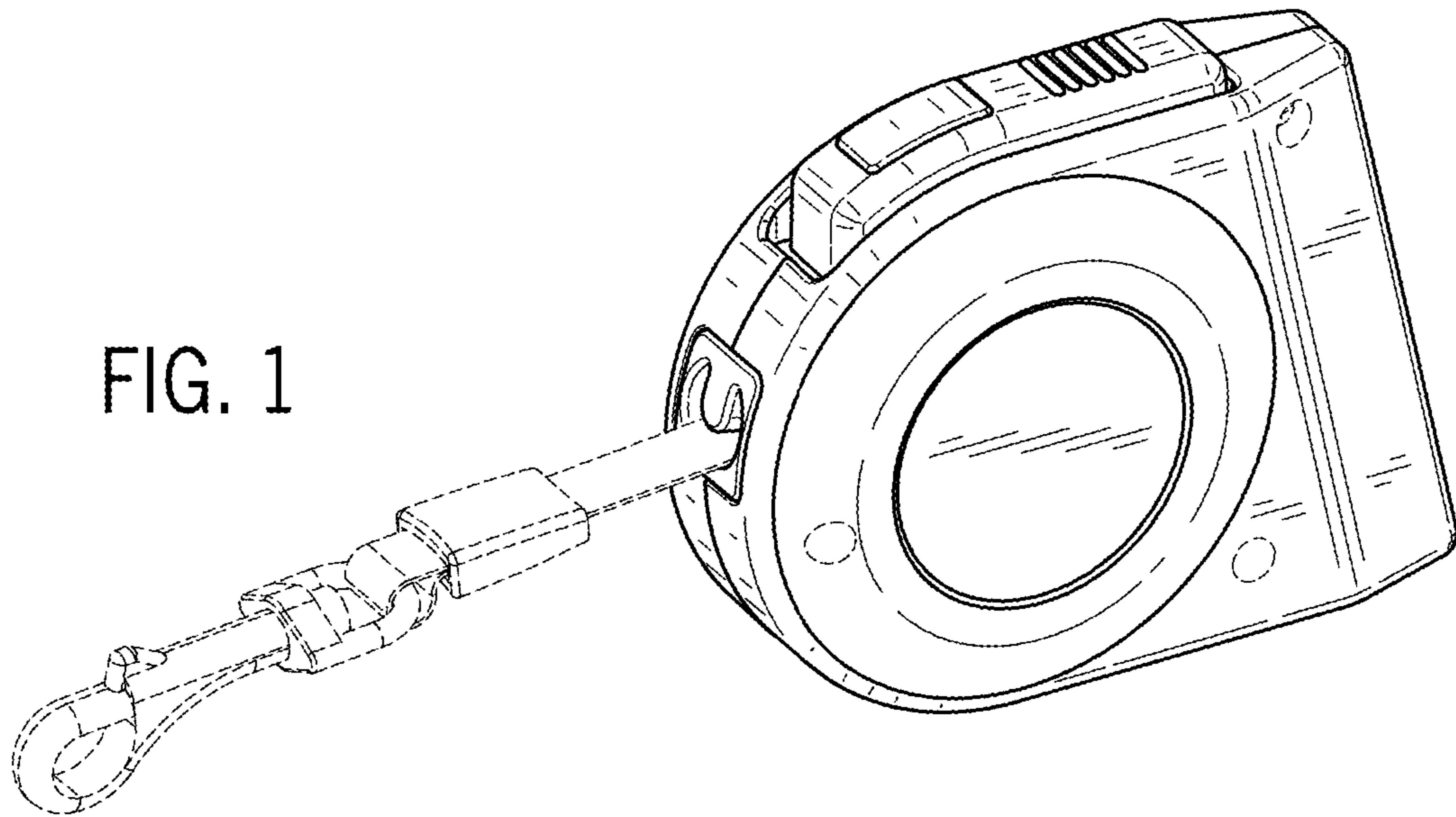


FIG. 1

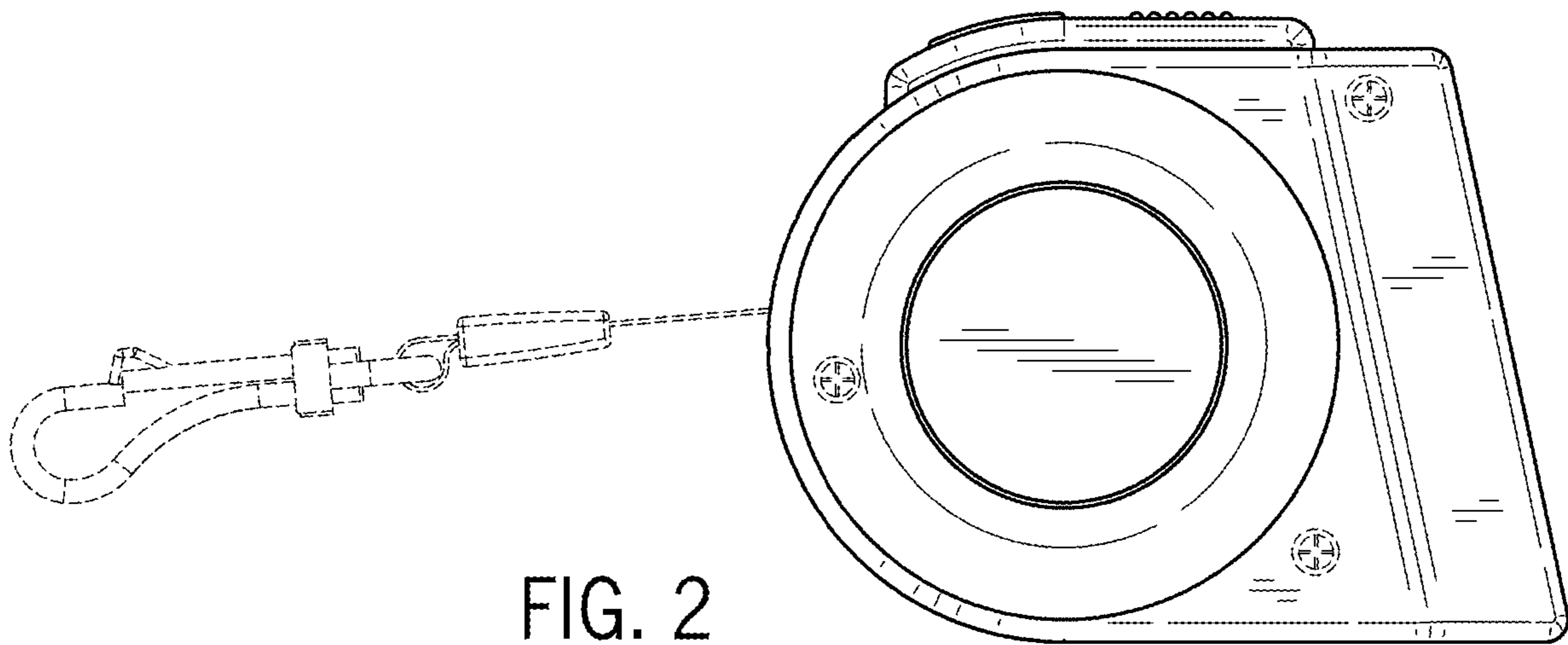


FIG. 2

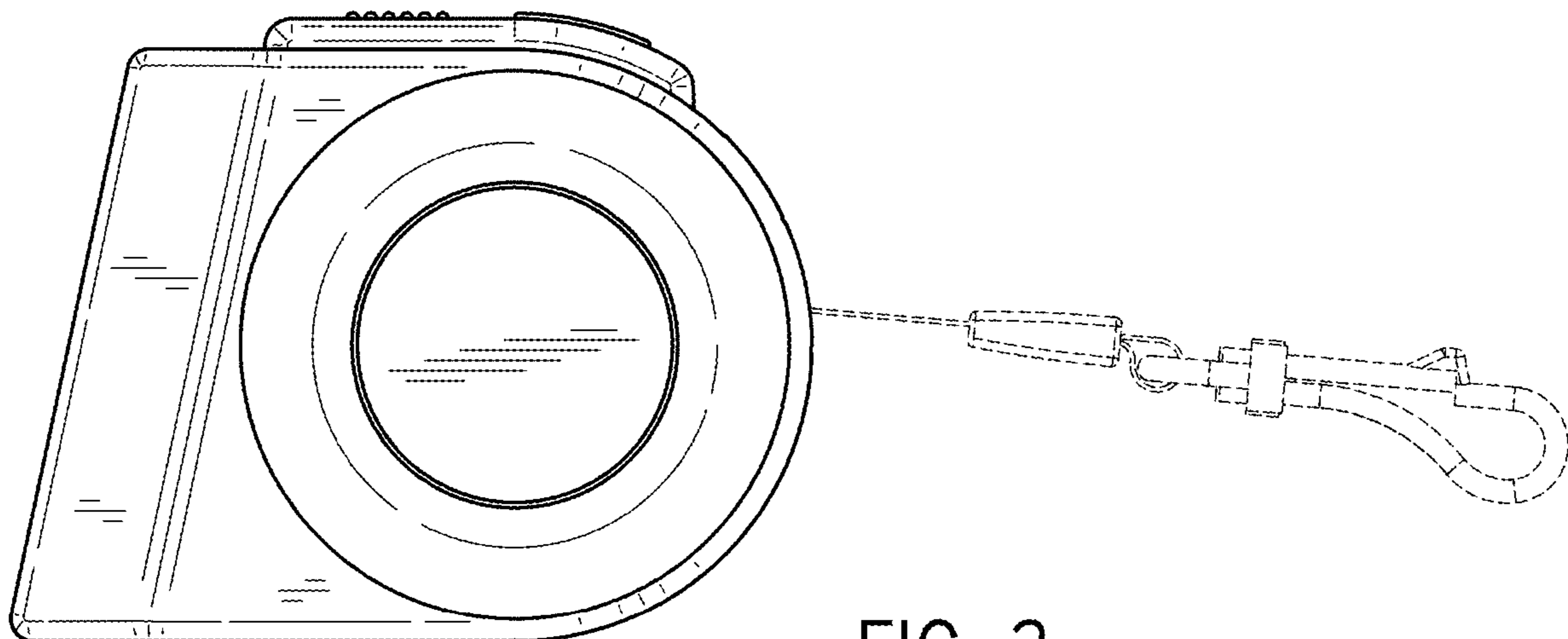


FIG. 3

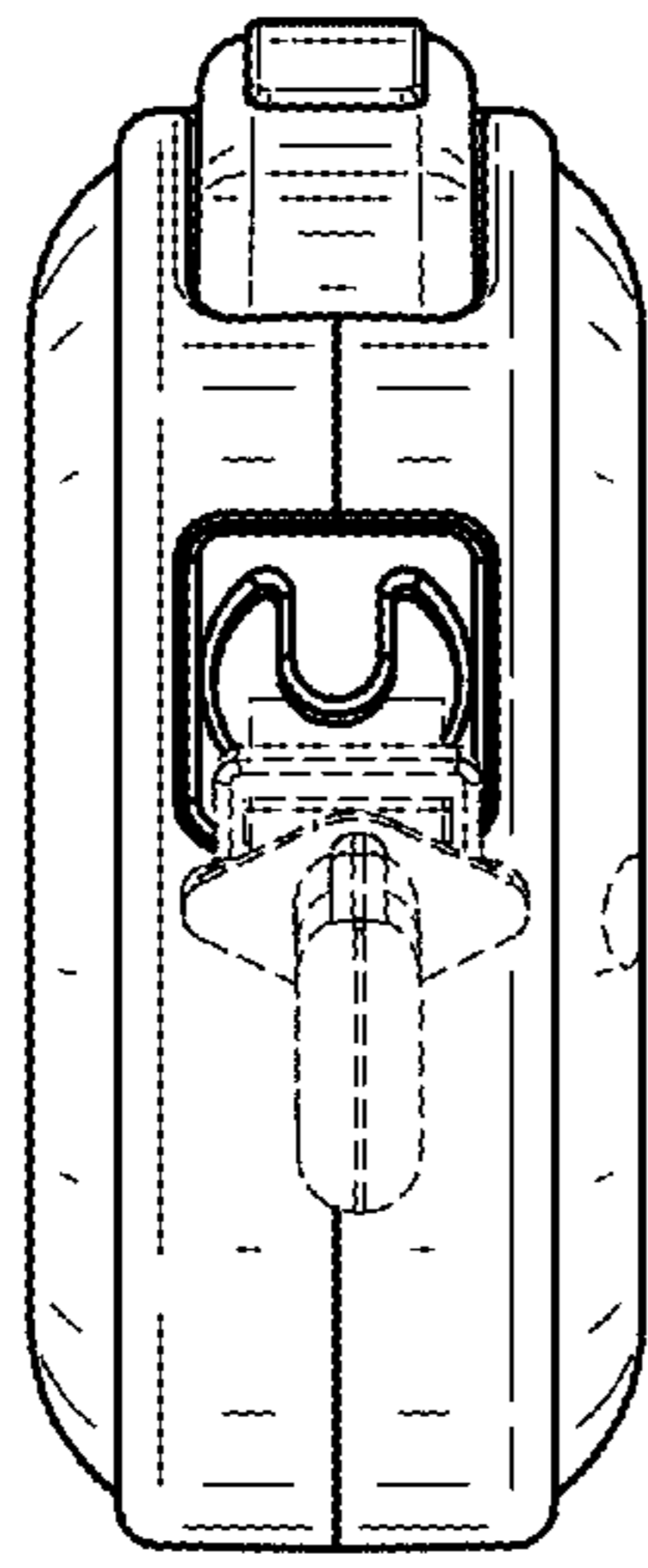


FIG. 4

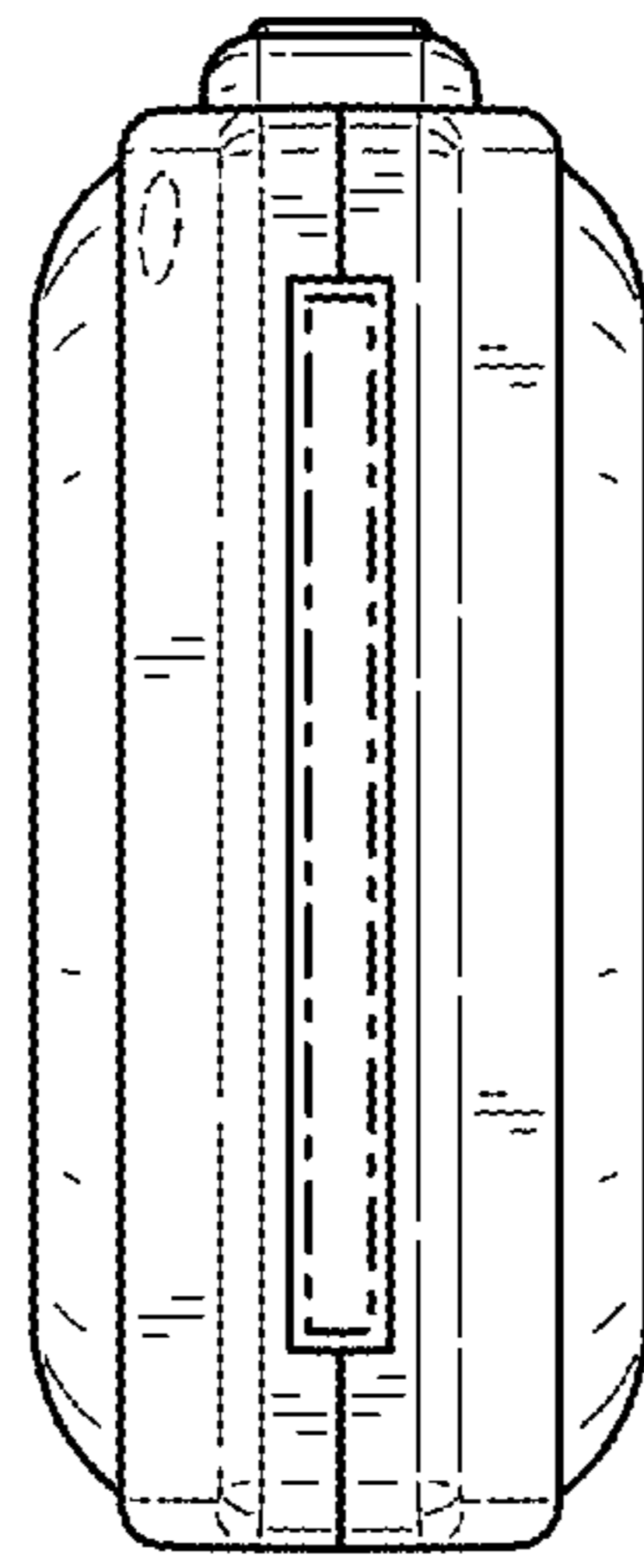


FIG. 5

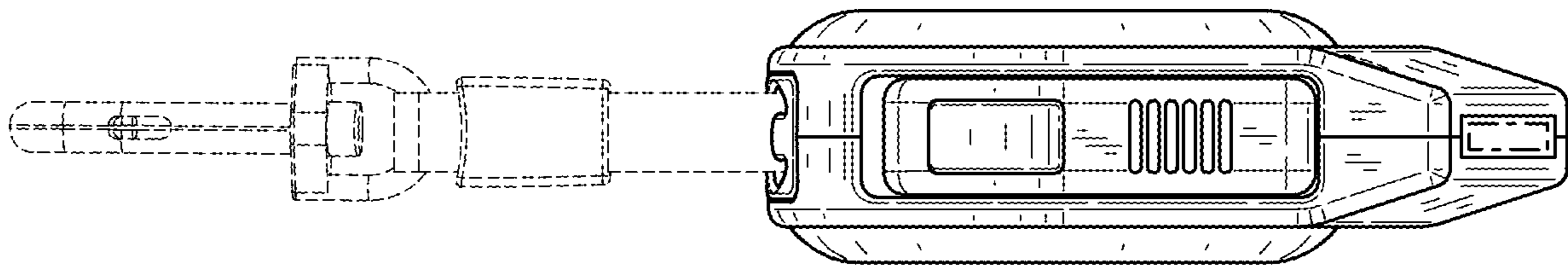


FIG. 6

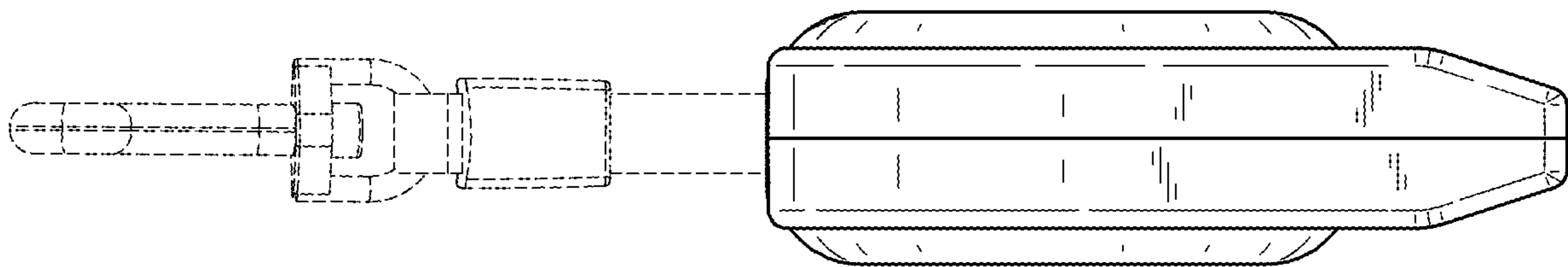


FIG. 7