



US00D887647S

(12) **United States Design Patent**
King, Jr.

(10) **Patent No.:** **US D887,647 S**
(45) **Date of Patent:** **** Jun. 16, 2020**

(54) **KNEE GUARD**

(71) Applicant: **Skitter & Squirt Adventures, LLC**,
Missoula, MO (US)

(72) Inventor: **Jack M. King, Jr.**, Phoenix, AZ (US)

(73) Assignee: **Skitter & Squirt Adventures, LLC**,
Missoula, MT (US)

(**) Term: **15 Years**

(21) Appl. No.: **29/671,614**

(22) Filed: **Nov. 28, 2018**

(51) **LOC (12) Cl.** **29-02**

(52) **U.S. Cl.**
USPC **D29/121.1**

(58) **Field of Classification Search**
USPC D24/192; D29/121.1
CPC A41D 13/06; A41D 13/05
See application file for complete search history.

(56) **References Cited**

U.S. PATENT DOCUMENTS

D454,231 S *	3/2002	McFarlane	D29/121.1
D462,811 S *	9/2002	Marasco	D29/121.1
D602,210 S *	10/2009	Crye	D29/121.1
D741,553 S *	10/2015	Vito	D29/121.1
D789,616 S *	6/2017	Votel	D29/121.1
D789,617 S *	6/2017	Votel	D29/121.1
D850,730 S *	6/2019	Deng	D29/121.1
2003/0019006 A1 *	1/2003	Godshaw	A41D 13/0568 2/24
2006/0041986 A1 *	3/2006	Godshaw	A41D 13/0568 2/24

* cited by examiner

Primary Examiner — Charles D Hanson

(74) *Attorney, Agent, or Firm* — Lisa Foundation Patent
Law Clinic at Arizona State University

(57) **CLAIM**

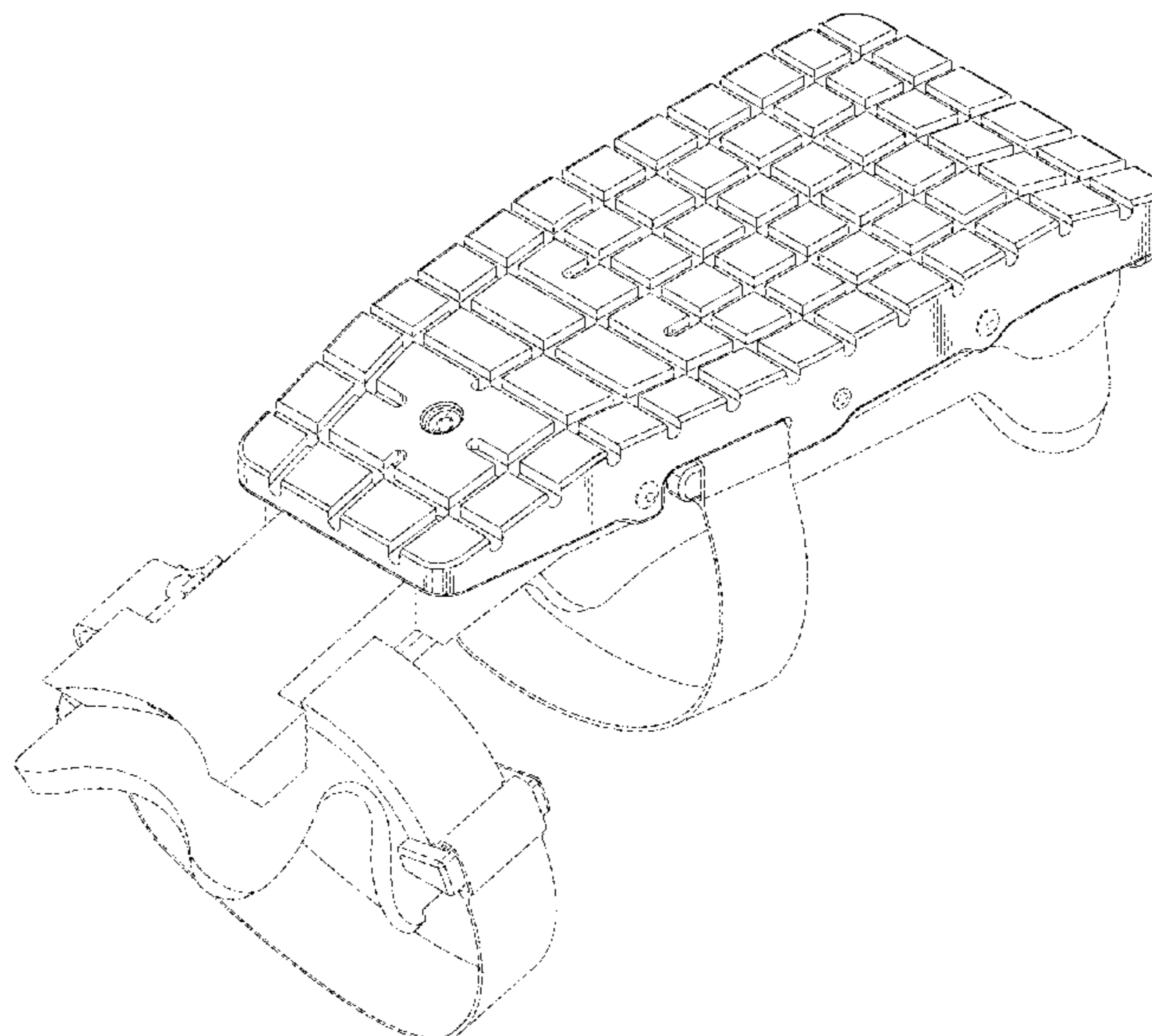
The ornamental design for a knee guard, as shown.

DESCRIPTION

FIG. 1 depicts an isometric view of the knee guard from above and to the side whilst it is coupled to a leg brace.
 FIG. 2 depicts an isometric view of the knee guard from below and to the side whilst it is coupled to a leg brace.
 FIG. 3 depicts a direct view of the knee guard from the right side whilst it is coupled to a leg brace.
 FIG. 4 depicts a direct view of the knee guard from the left side whilst it is coupled to a leg brace.
 FIG. 5 depicts an exploded view of the knee guard from below and to the side whilst it is coupled to a leg brace.
 FIG. 6 depicts an exploded view of the knee guard from the left side whilst it is coupled to a leg brace.
 FIG. 7 depicts an exploded view of the knee guard from the right side whilst it is coupled to a leg brace.
 FIG. 8 depicts an isometric view of the knee guard on its own from below and to the side.
 FIG. 9 depicts an isometric view of the knee guard on its own from above and to the side.
 FIG. 10 depicts a view of the knee guard on its own from directly below.
 FIG. 11 depicts a direct view of the knee guard on its own from the right side.
 FIG. 12 depicts a view of the knee guard on its own from directly behind.
 FIG. 13 depicts a view of the knee guard on its own from directly above.
 FIG. 14 depicts a direct view of the knee-guard on its own from the left side; and,
 FIG. 15 depicts a view of the knee guard on its own from directly in front.

The broken line showing is included for the purpose of illustrating environment and forms no part of the claimed design.

1 Claim, 10 Drawing Sheets



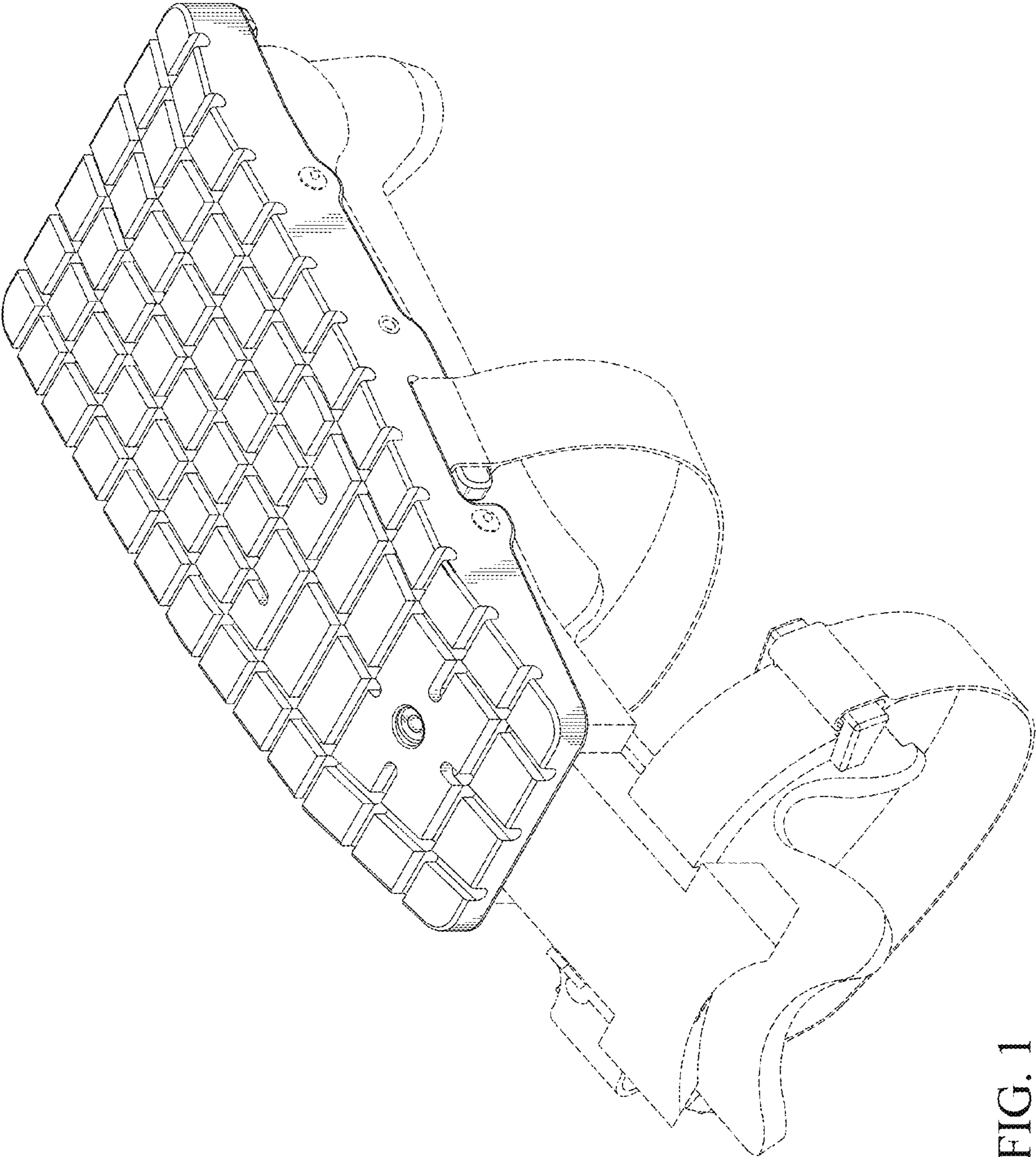


FIG. 1

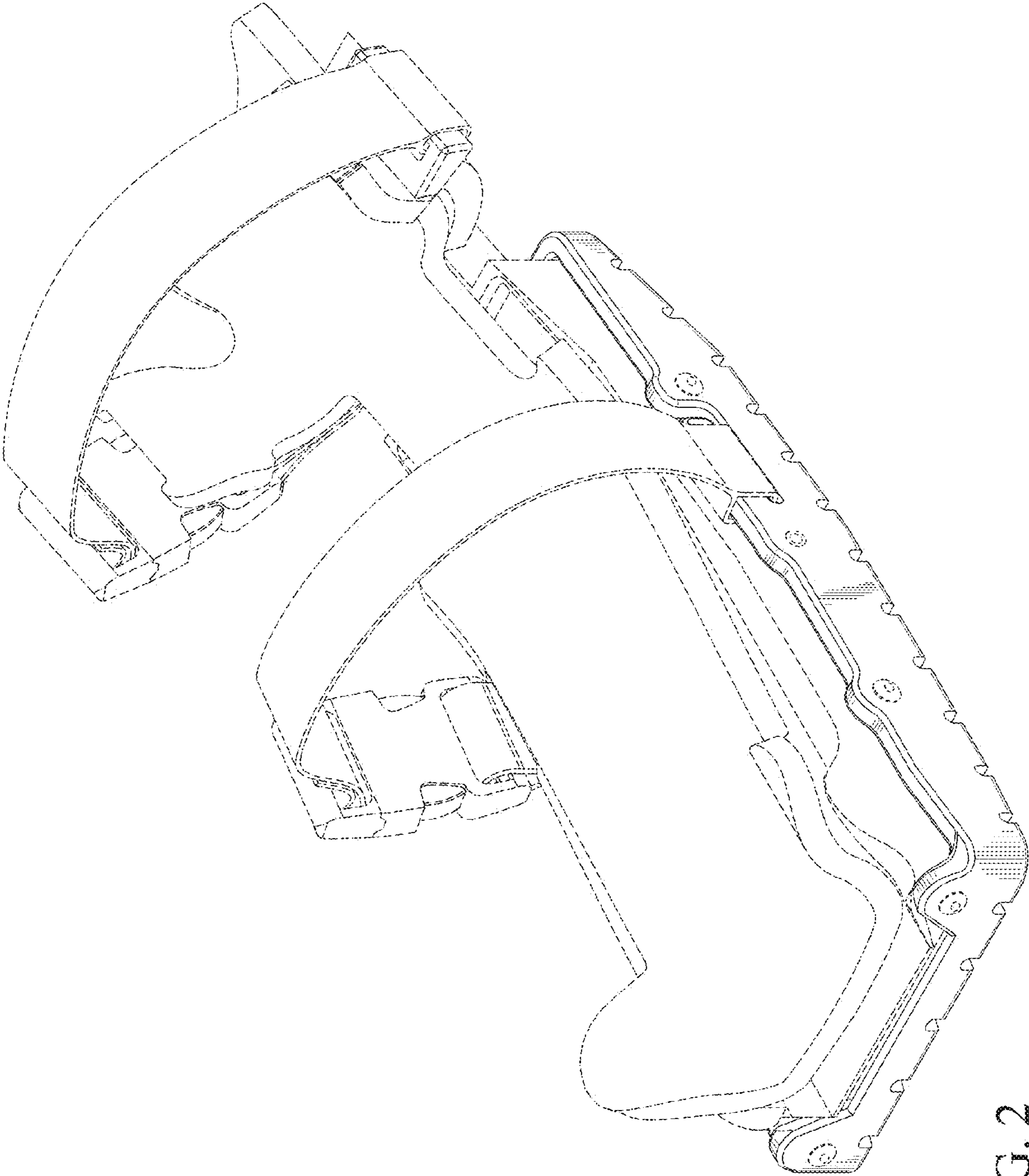


FIG. 2

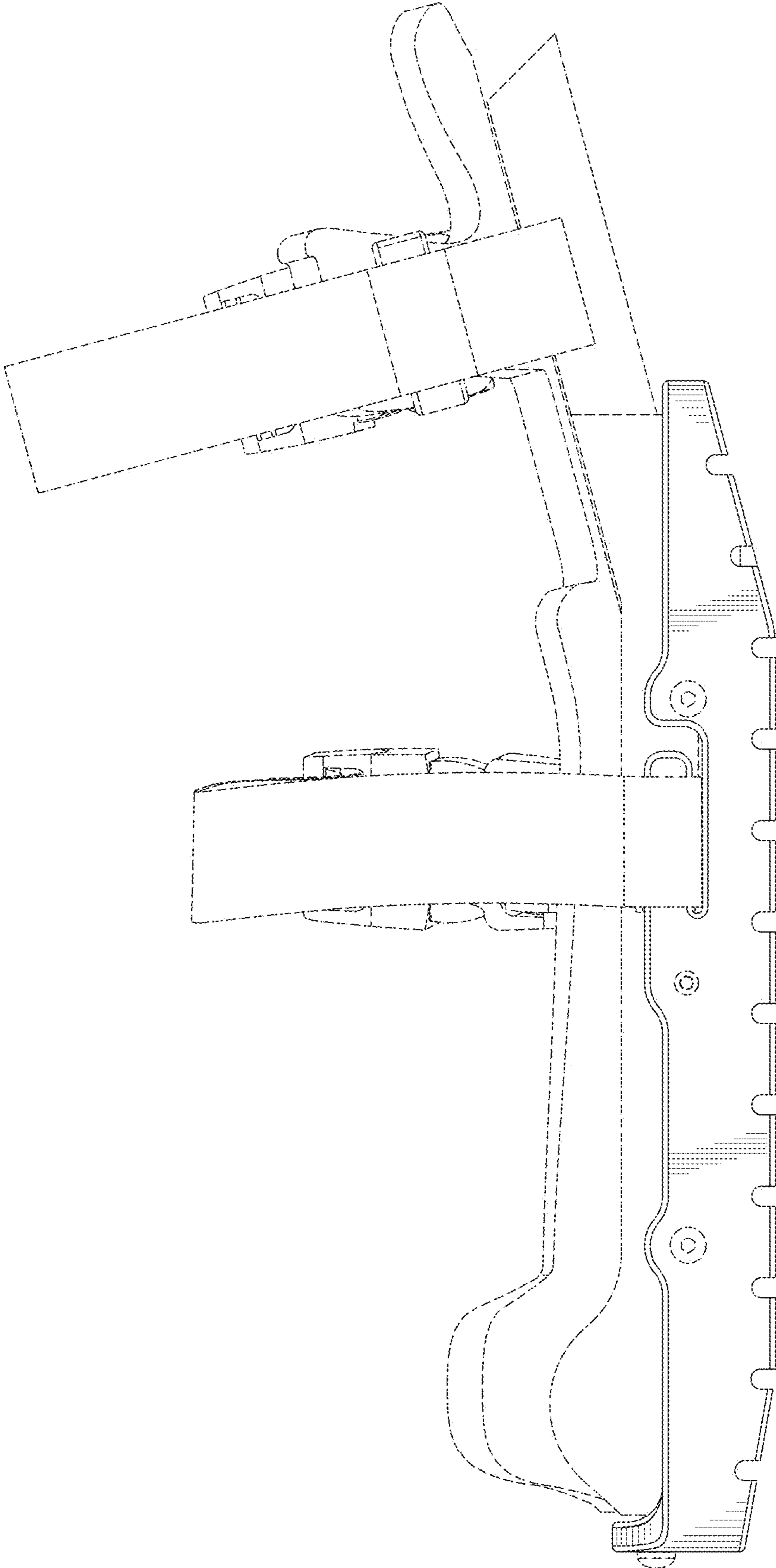


FIG. 3

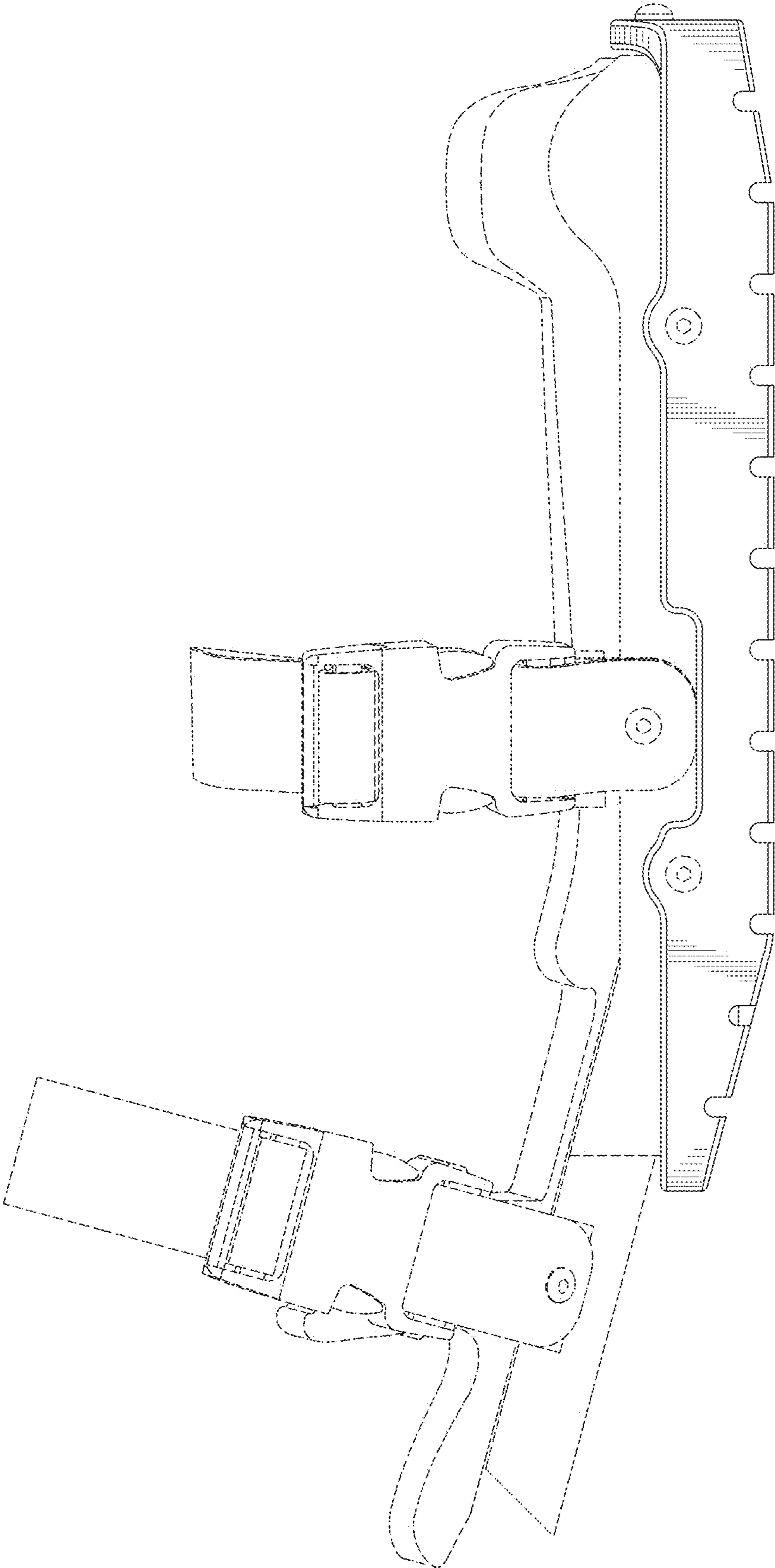


FIG. 4

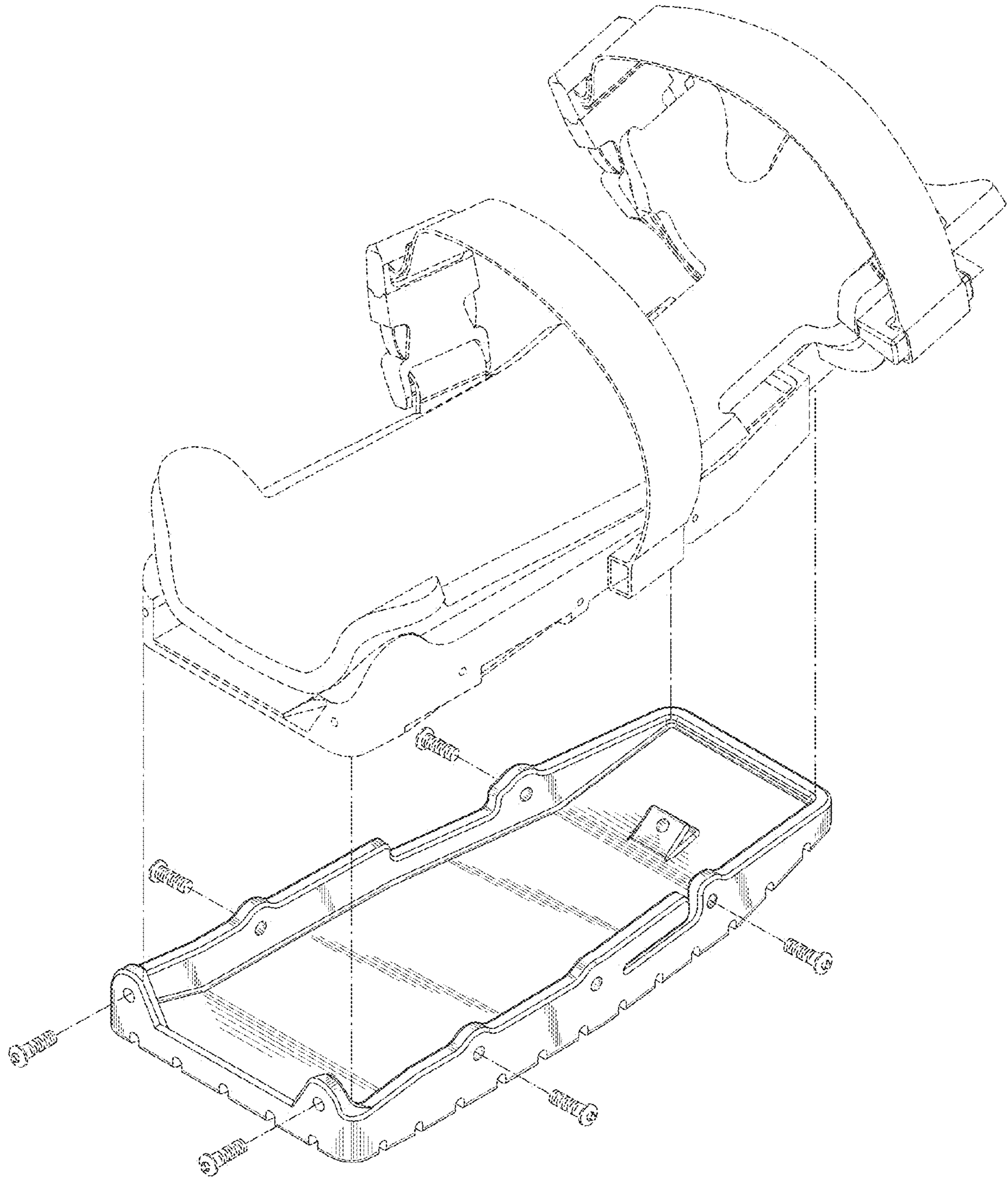


FIG. 5

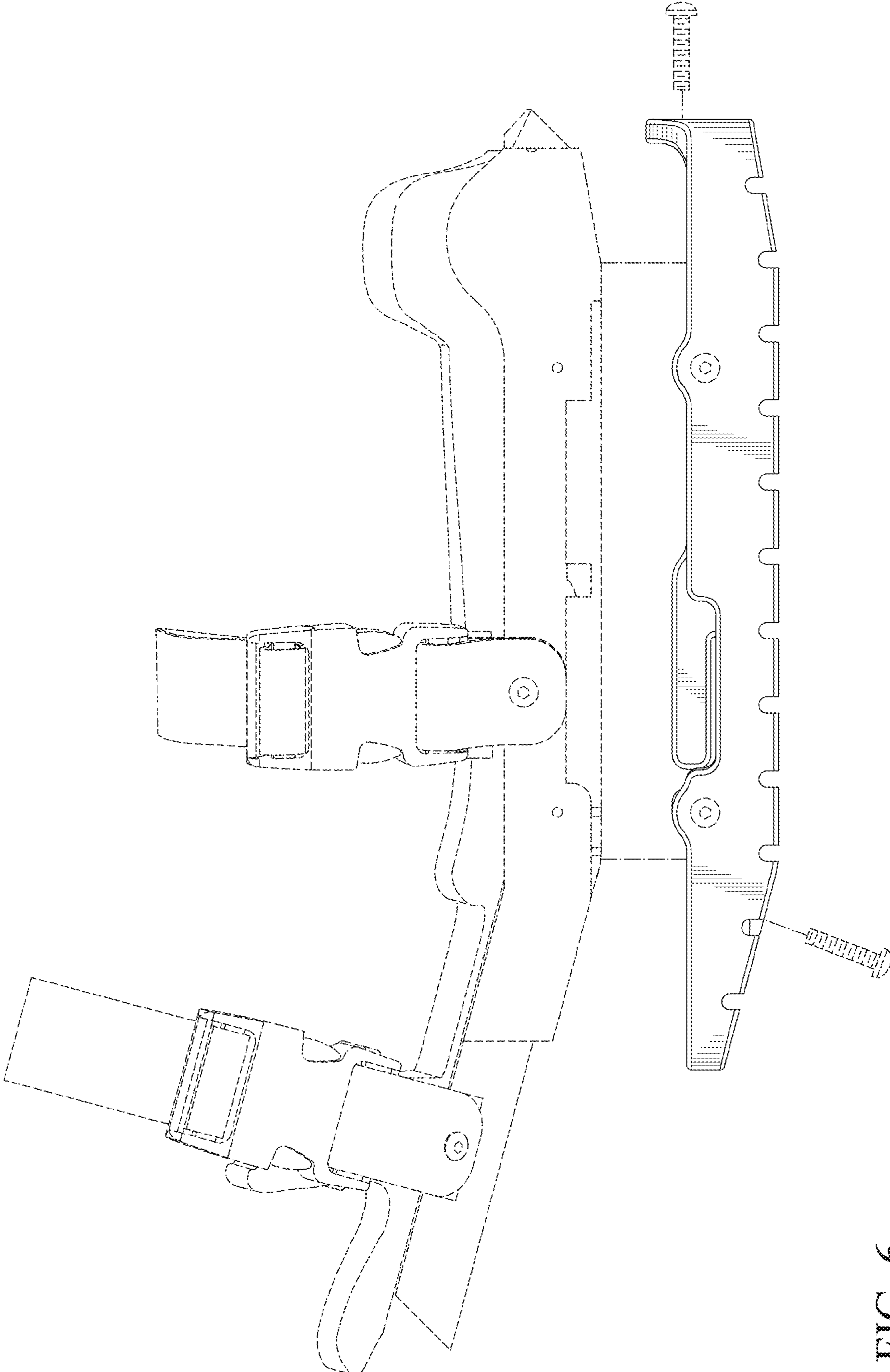


FIG. 6

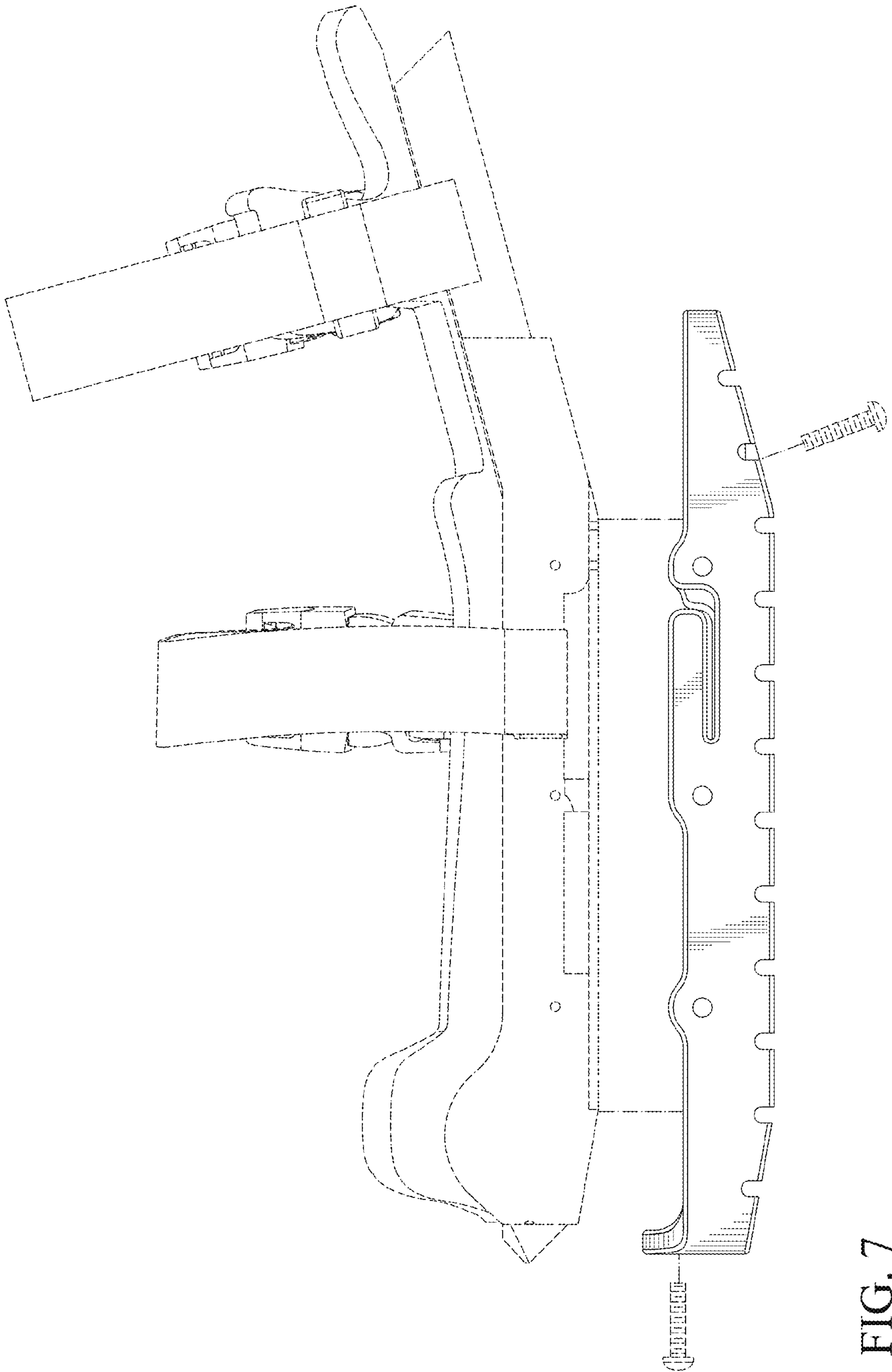


FIG. 7

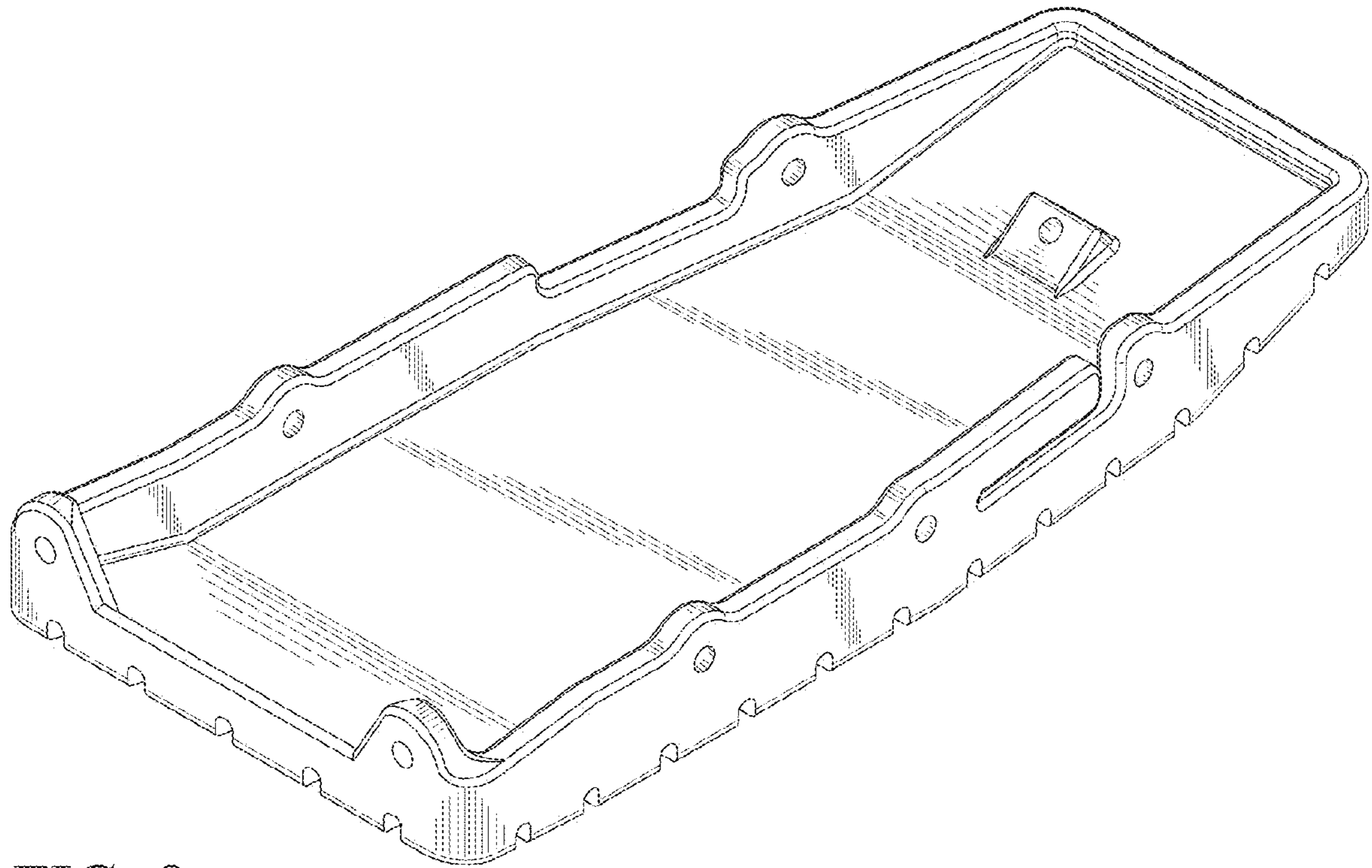


FIG. 8

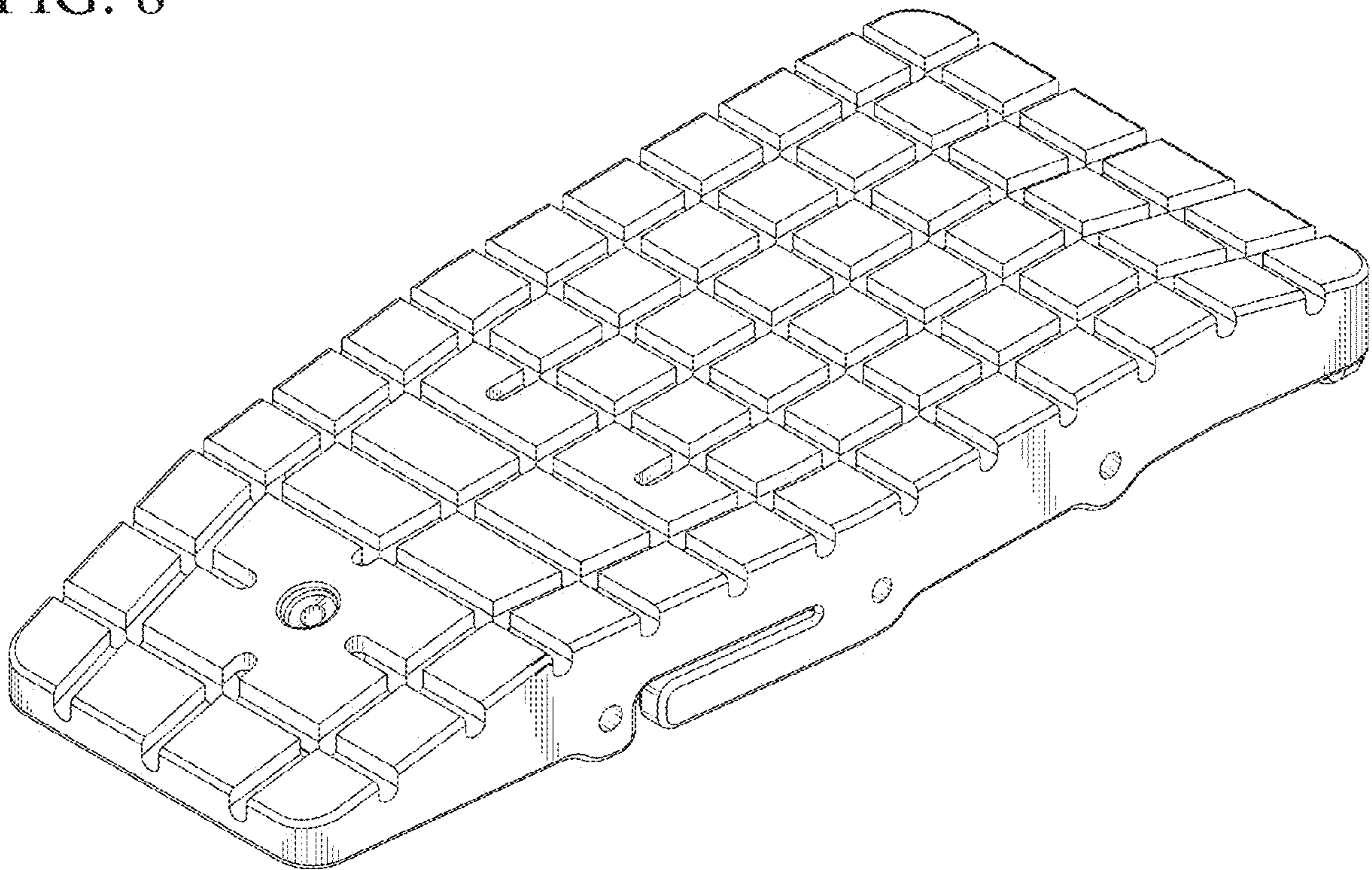


FIG. 9

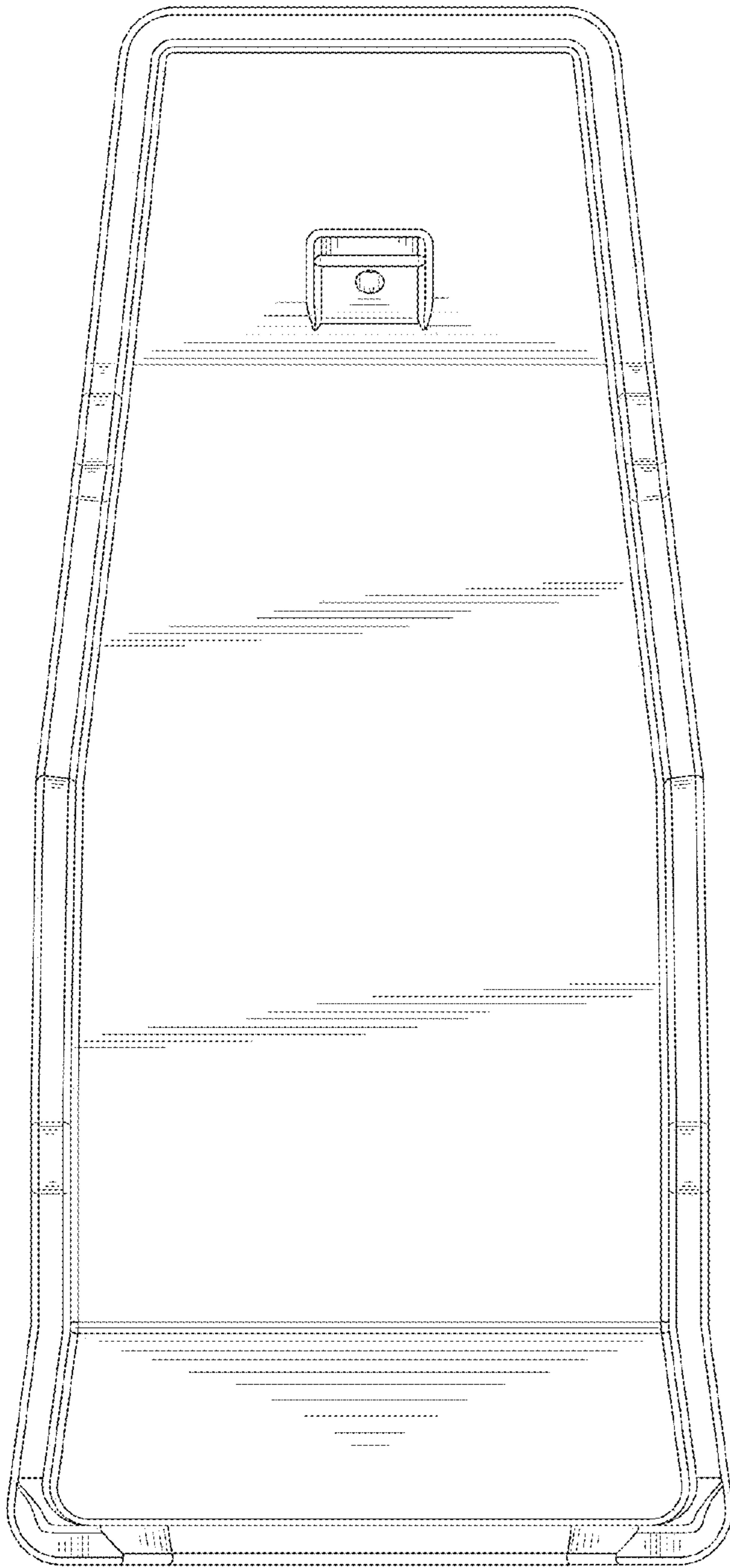


FIG. 10

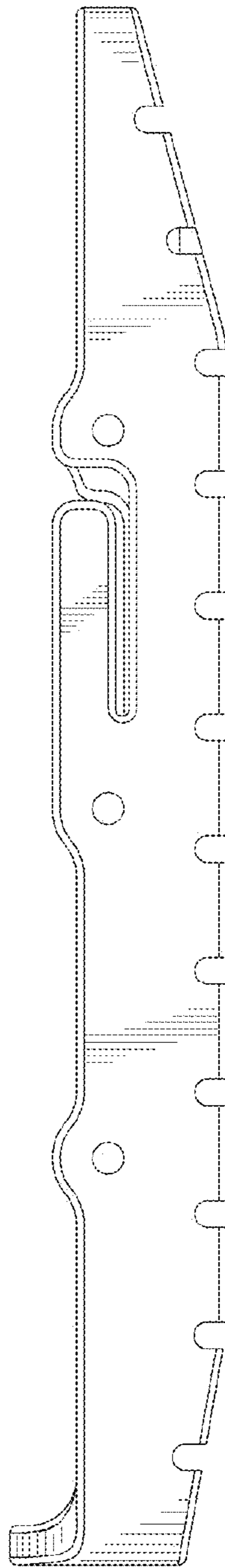


FIG. 11

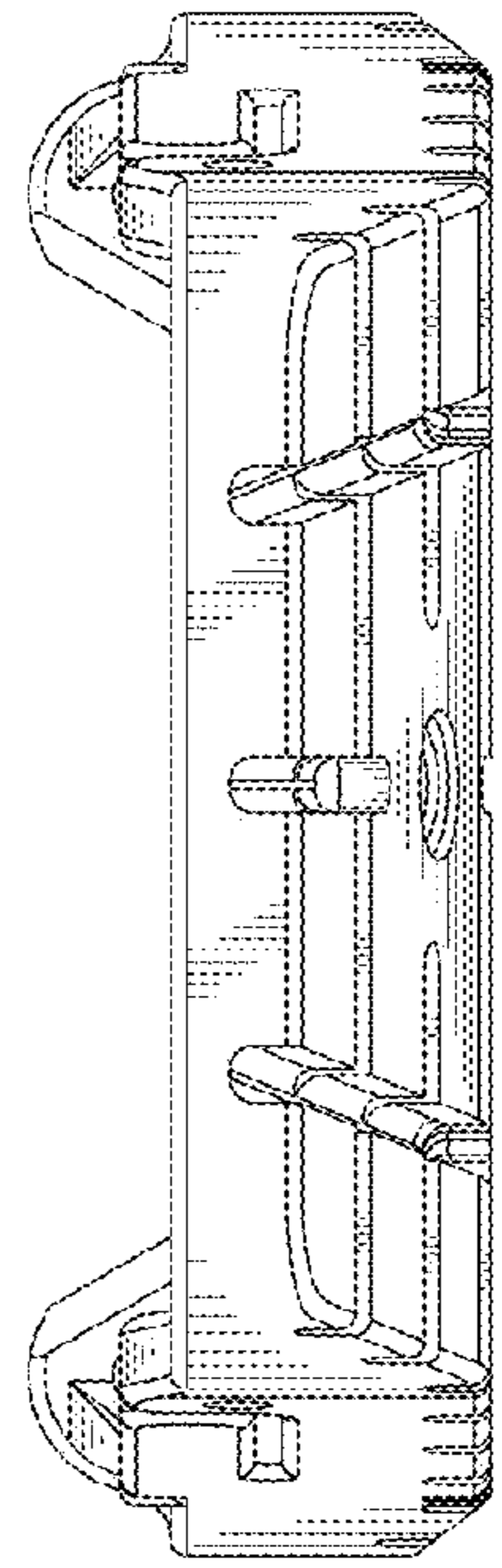


FIG. 12

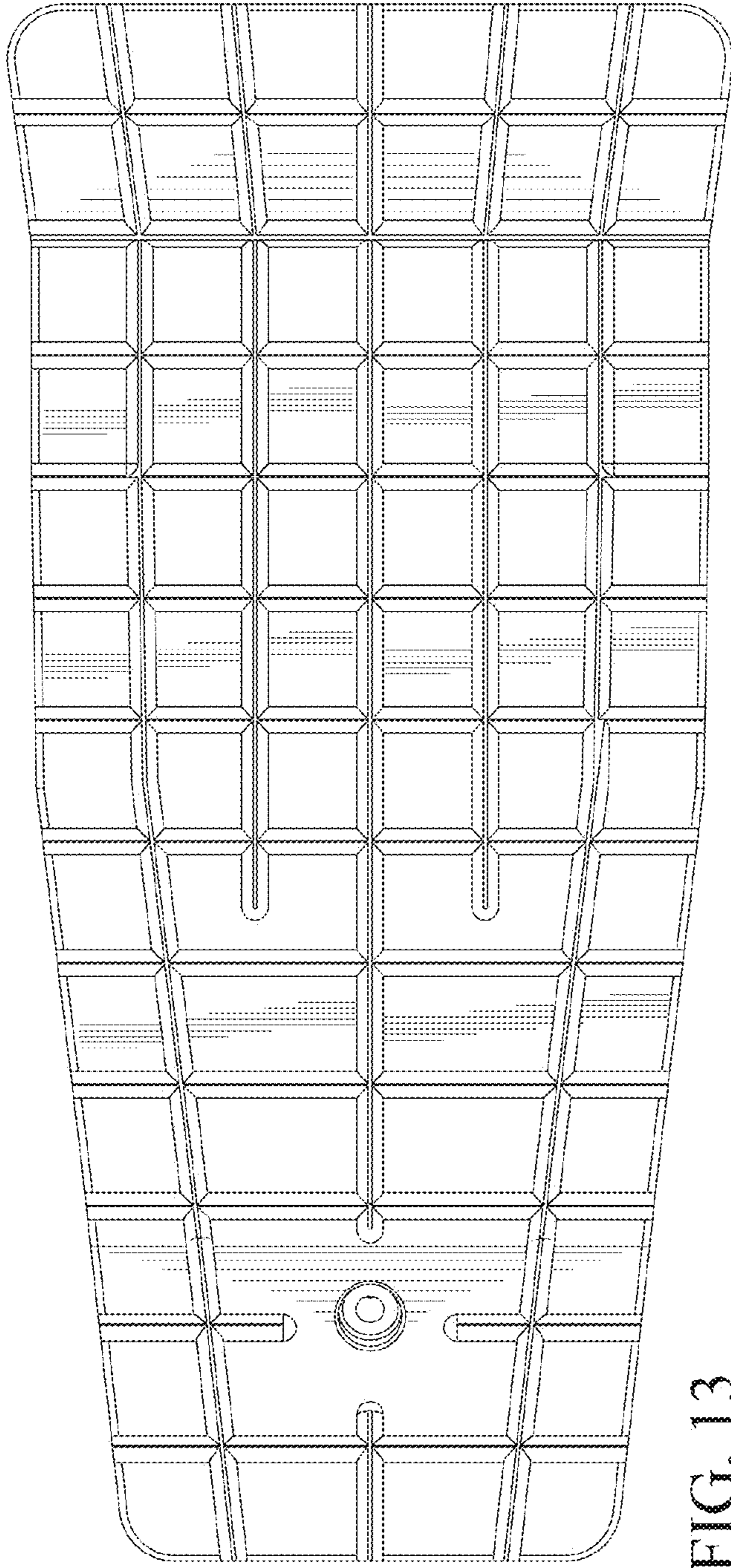


FIG. 13

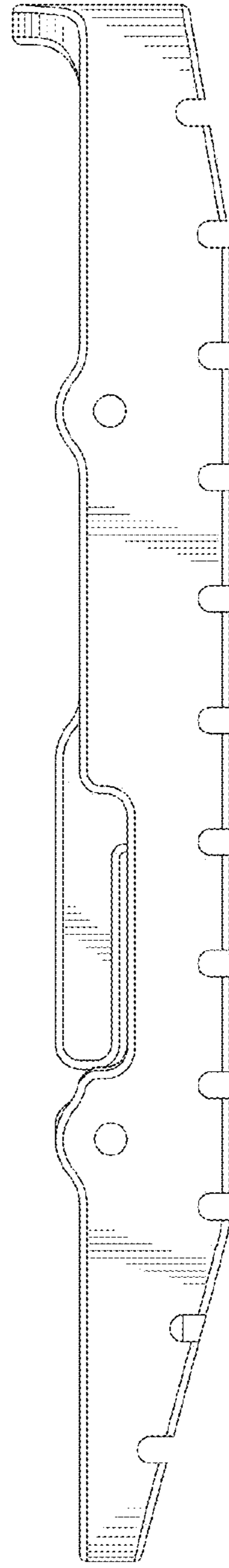


FIG. 14

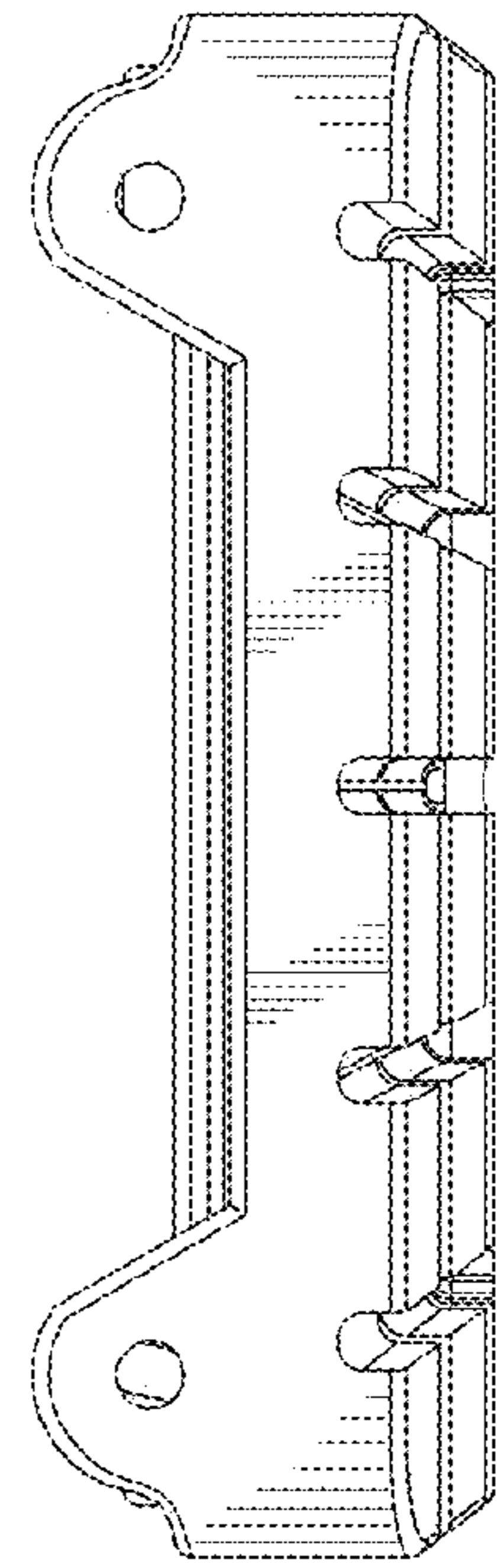


FIG. 15