



US00D887644S

(12) **United States Design Patent** (10) **Patent No.:** **US D887,644 S**
Gaito et al. (45) **Date of Patent:** **** Jun. 16, 2020**

(54) **COSMETICS PALETTE**
(71) Applicants: **David Gaito**, Plantation, FL (US);
Vincent Laurino, Sunrise, FL (US)
(72) Inventors: **David Gaito**, Plantation, FL (US);
Vincent Laurino, Sunrise, FL (US)
(73) Assignee: **OFRA Cosmetics, LLC**, Pompano
Beach, FL (US)

D655,865 S * 3/2012 Villarreal D28/83
D655,866 S * 3/2012 Villarreal D28/83
D666,773 S * 9/2012 Greenfield D28/83
D721,855 S * 1/2015 Lavigne D28/83
D788,462 S * 6/2017 Zhu D3/294
D809,298 S * 2/2018 Zhu D3/294
D822,281 S * 7/2018 Komai D28/61
D831,890 S * 10/2018 Von Drachenberg D28/83
2002/0125169 A1 * 9/2002 Bores H01L 21/67379
206/711

(Continued)

(**) Term: **15 Years**

OTHER PUBLICATIONS

(21) Appl. No.: **29/657,339**

Ofra Cosmetics X Francesca Tolot Collaboration, TrendMood, published on Jan. 11, 2019 on youtube.com, retrieved on Sep. 3, 2019, retrieved from the Internet URL: <https://www.youtube.com/watch?v=6B3OPYOnw9l>.*

(22) Filed: **Jul. 20, 2018**

(51) **LOC (12) Cl.** **28-03**

(52) **U.S. Cl.**
USPC **D28/84**

(58) **Field of Classification Search**
USPC D28/9, 64.1, 76-84; D3/294, 295;
D9/503-505, 722, 529, 737, 756, 759;
D19/102-103, 106-107, 112
CPC A45D 2033/001; A45D 33/006; A45D
33/003; A45D 33/04-33; A45D 33/025;
A45D 33/02; A45D 33/20; A45D 33/22;
A45D 33/24; A45D 33/26; A45D 33/28;
A45D 33/18; A45D 40/22; A45D 40/222;
A45D 40/24; B65D 85/00; B65D 85/30;
B65D 85/48; H01L 21/67

See application file for complete search history.

Primary Examiner — Jennifer Rivard
Assistant Examiner — Alison M Ofstun
(74) *Attorney, Agent, or Firm* — Garrity Traina, PLLC;
Christopher Traina, Esq.

(57) **CLAIM**

The ornamental design for a cosmetics palette, as shown and described.

DESCRIPTION

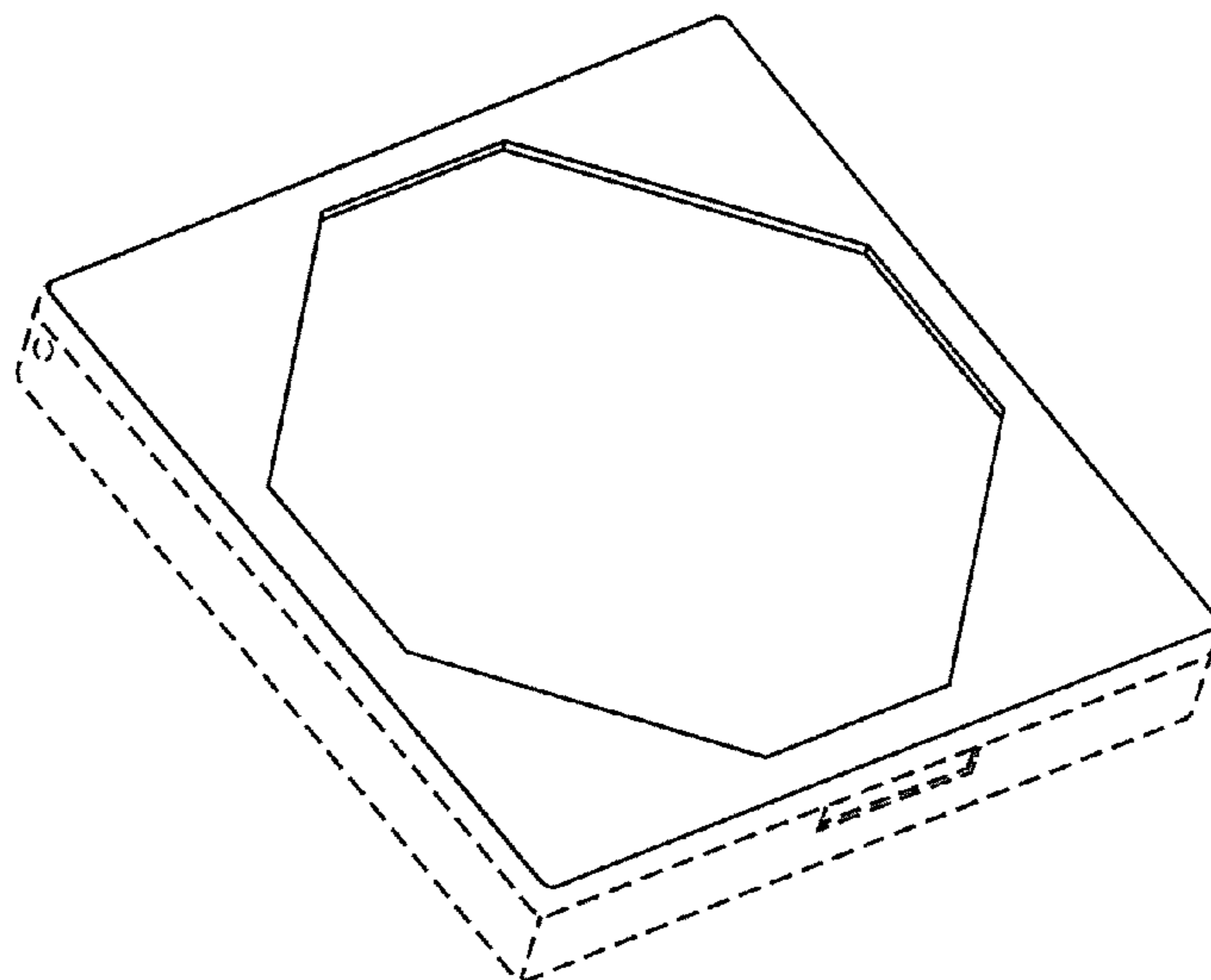
FIG. 1 is a front perspective view of the cosmetics palette in its open configuration.
FIG. 2 is a bottom plan view thereof.
FIG. 3 is a top plan view thereof.
FIG. 4 is a front plan view thereof.
FIG. 5 is a right plan view thereof.
FIG. 6 is left plan view thereof.
FIG. 7 is a rear plan view thereof; and,
FIG. 8 is a front perspective view of the cosmetics palette in its closed configuration.
The broken lines in the drawings show portions of the palette that form no part of the claimed design.

(56) **References Cited**

U.S. PATENT DOCUMENTS

D115,324 S * 6/1939 Zell D28/83
D313,288 S * 12/1990 Bakic D28/77
D314,066 S * 1/1991 Bakic D28/77
5,458,433 A * 10/1995 Stastny B27F 5/02
144/136.95
D416,103 S * 11/1999 Hashmi D26/120
D422,120 S * 3/2000 Orsomando D28/83
D465,305 S * 11/2002 Thorpe D28/83

1 Claim, 4 Drawing Sheets



(56)

References Cited

U.S. PATENT DOCUMENTS

2017/0273438 A1* 9/2017 Liu A45D 40/221

* cited by examiner

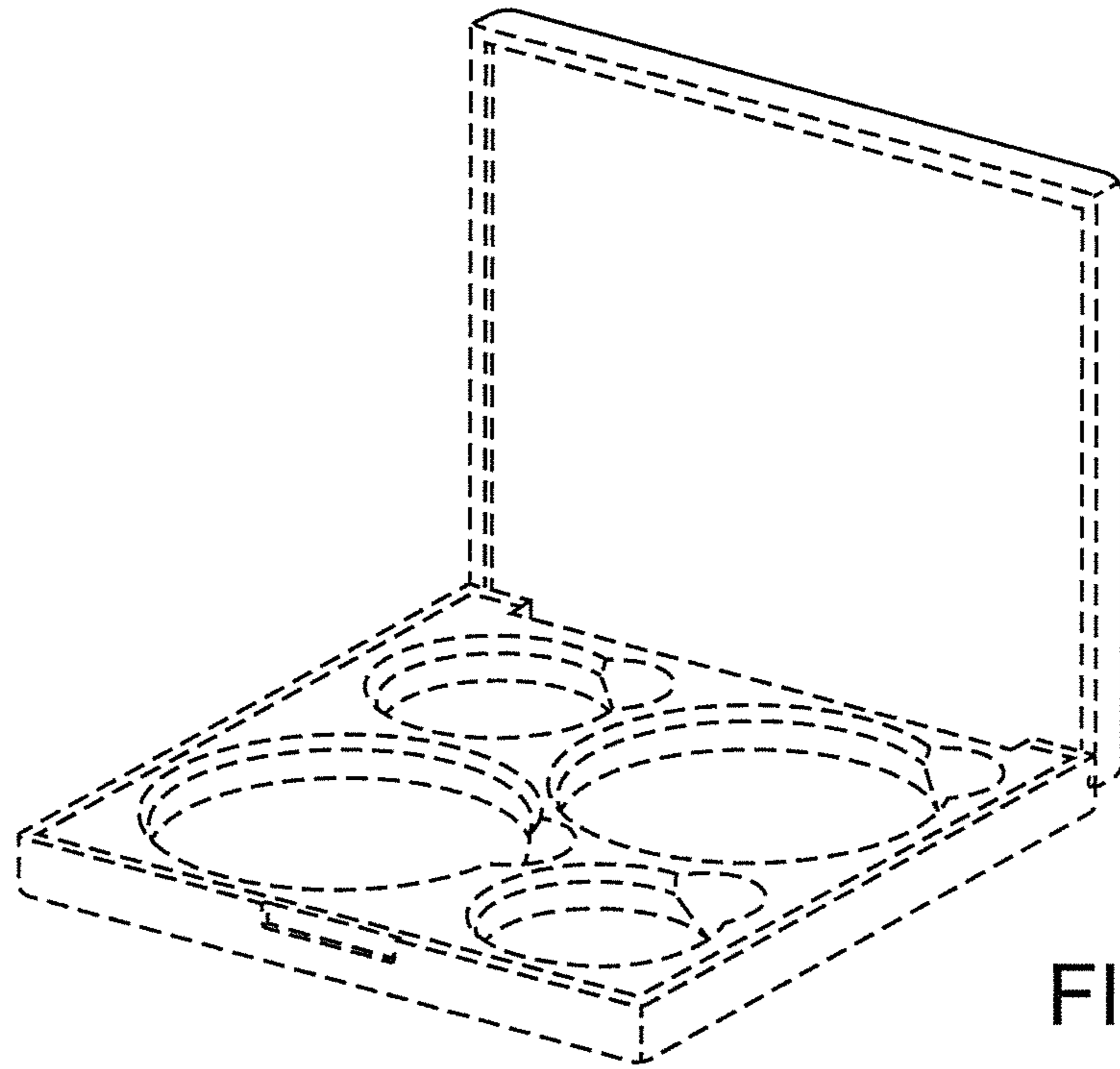


FIG. 1

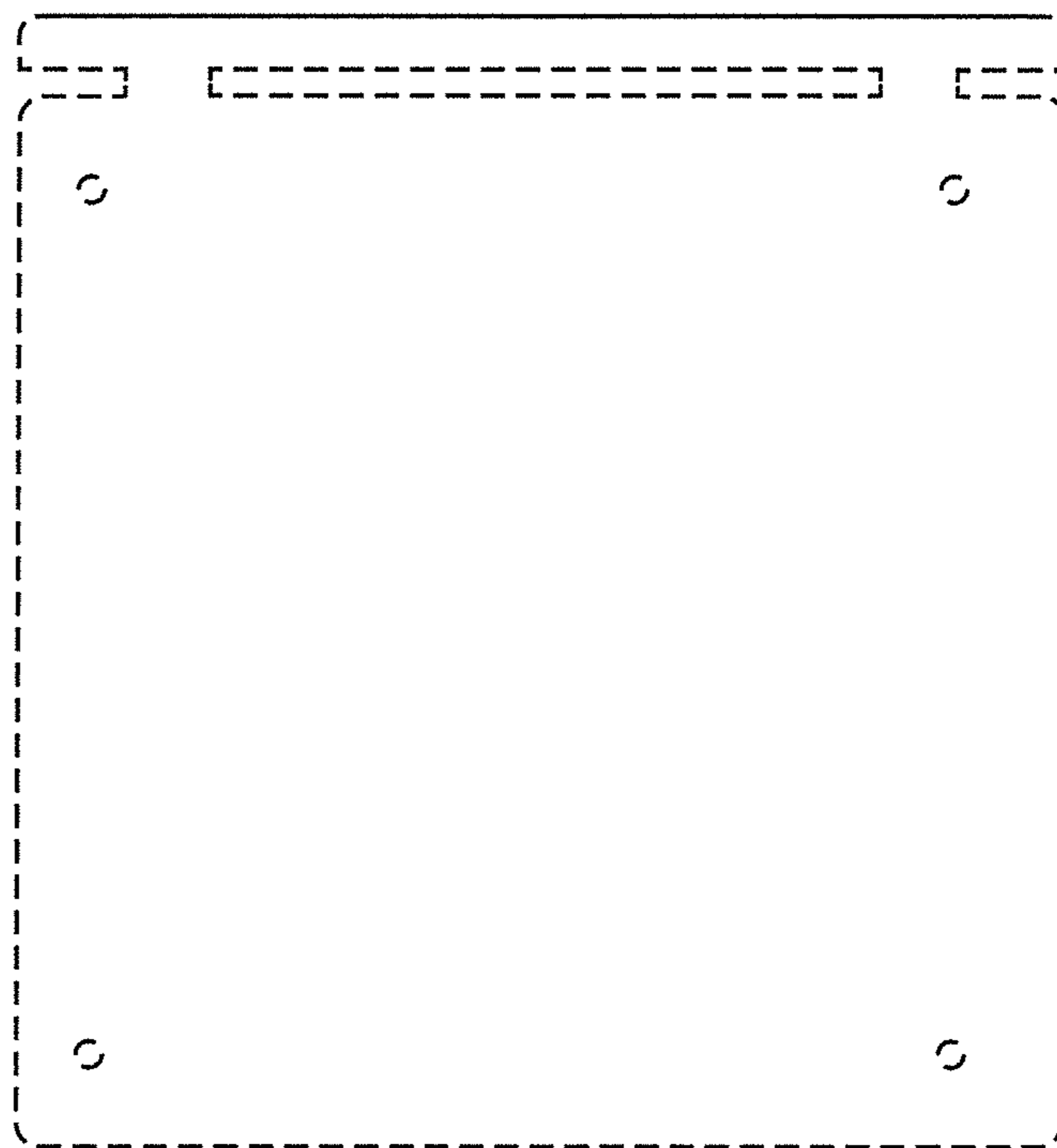


FIG. 2

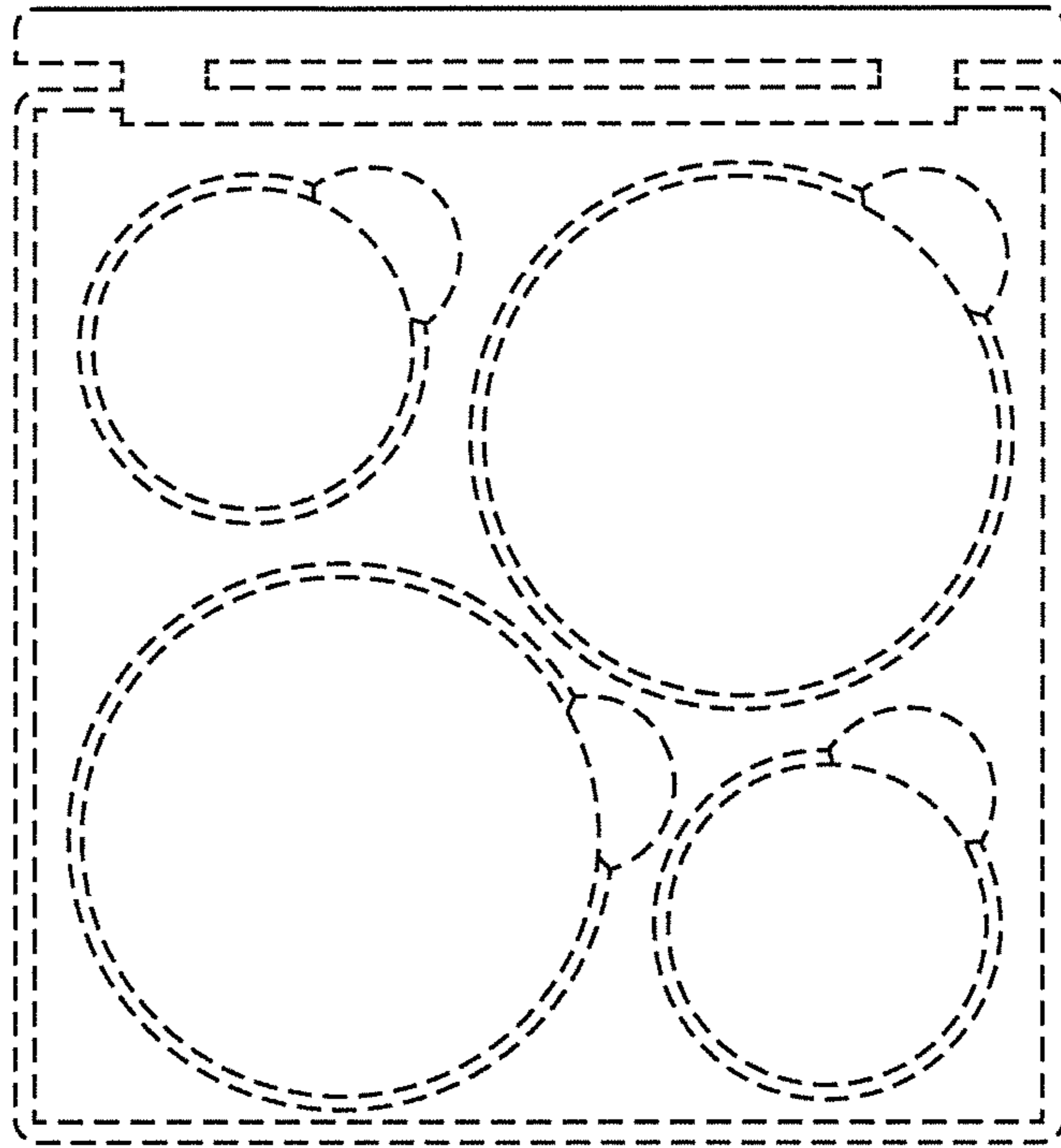


FIG. 3

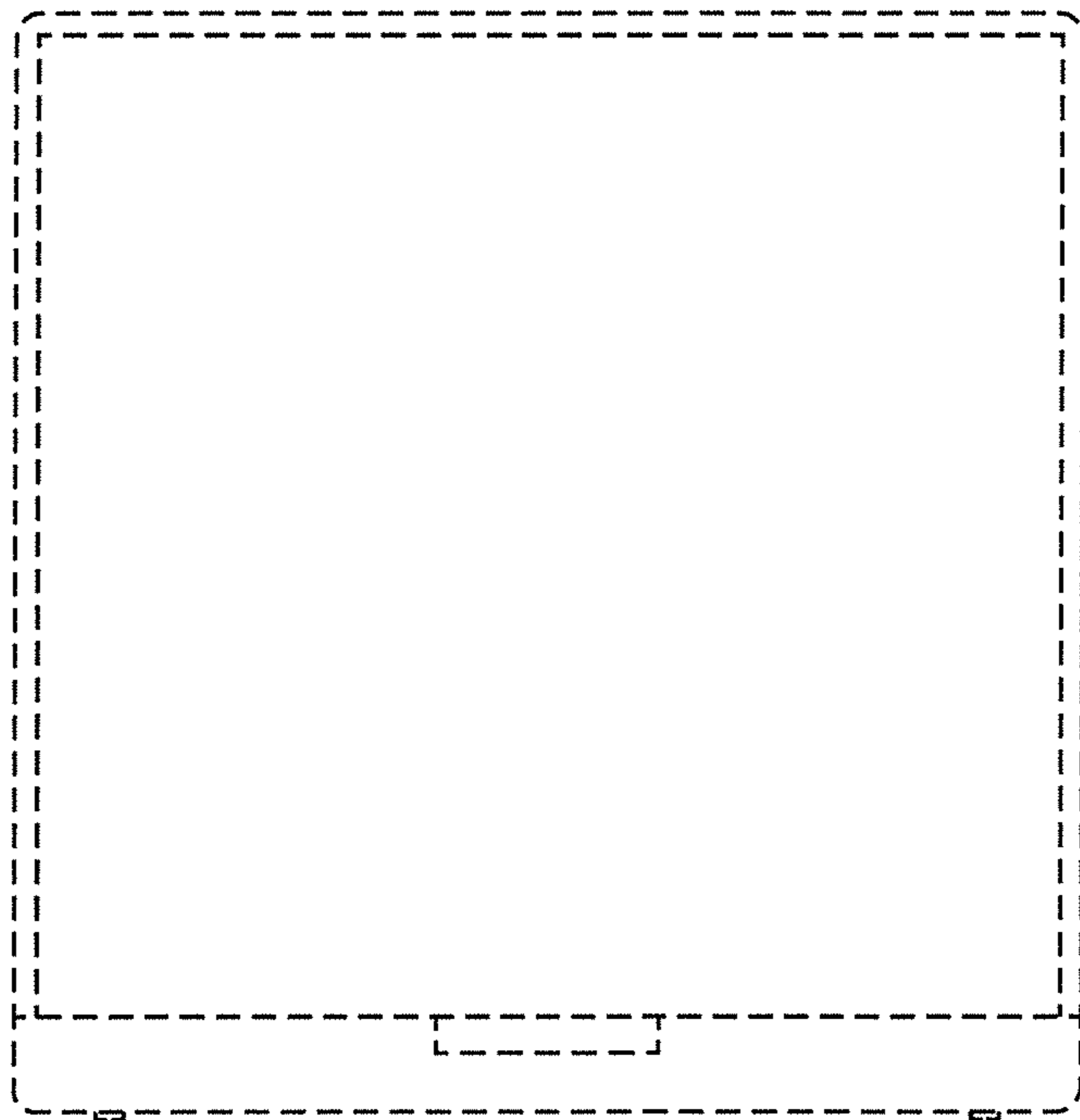


FIG. 4

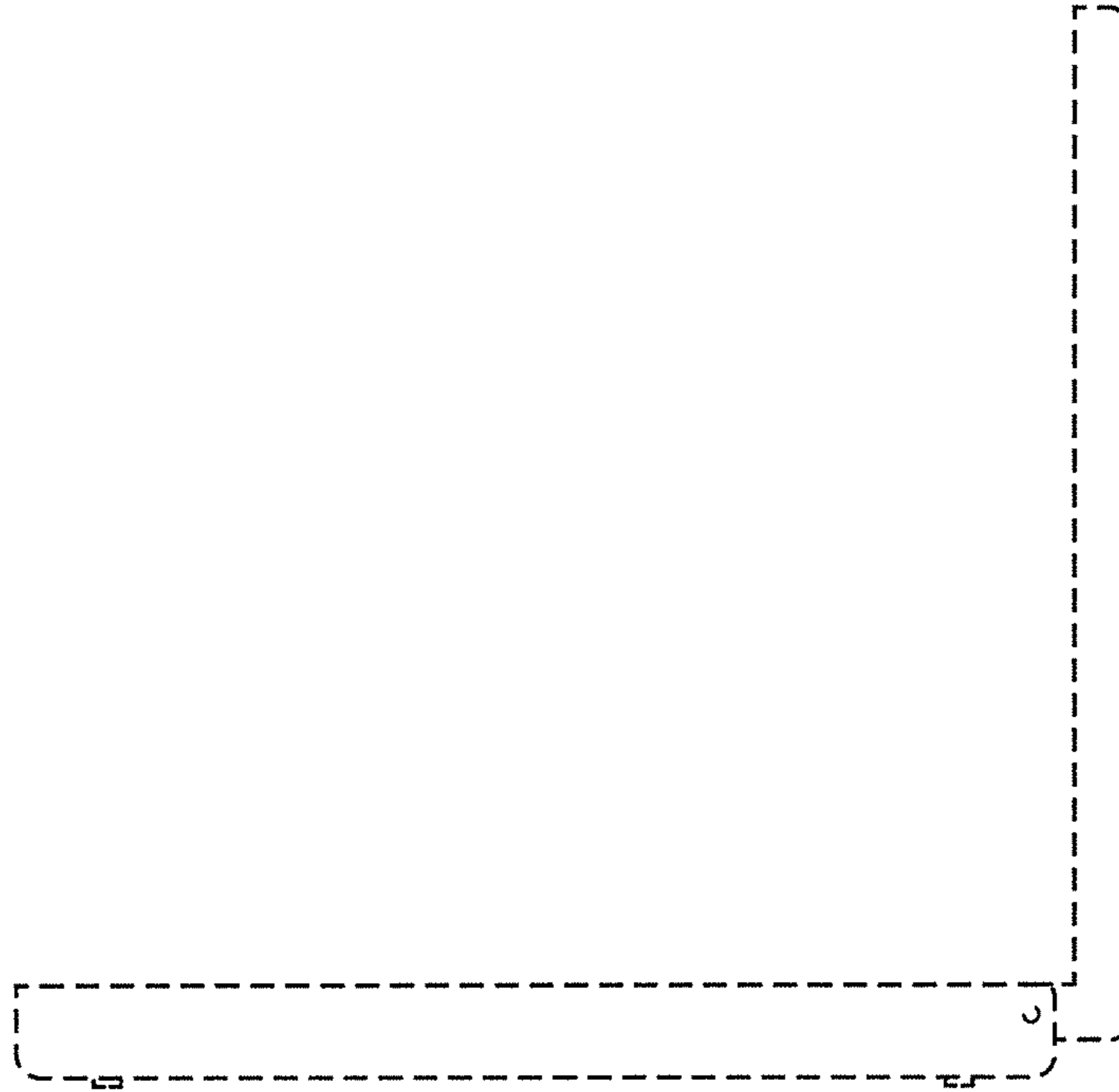


FIG. 5

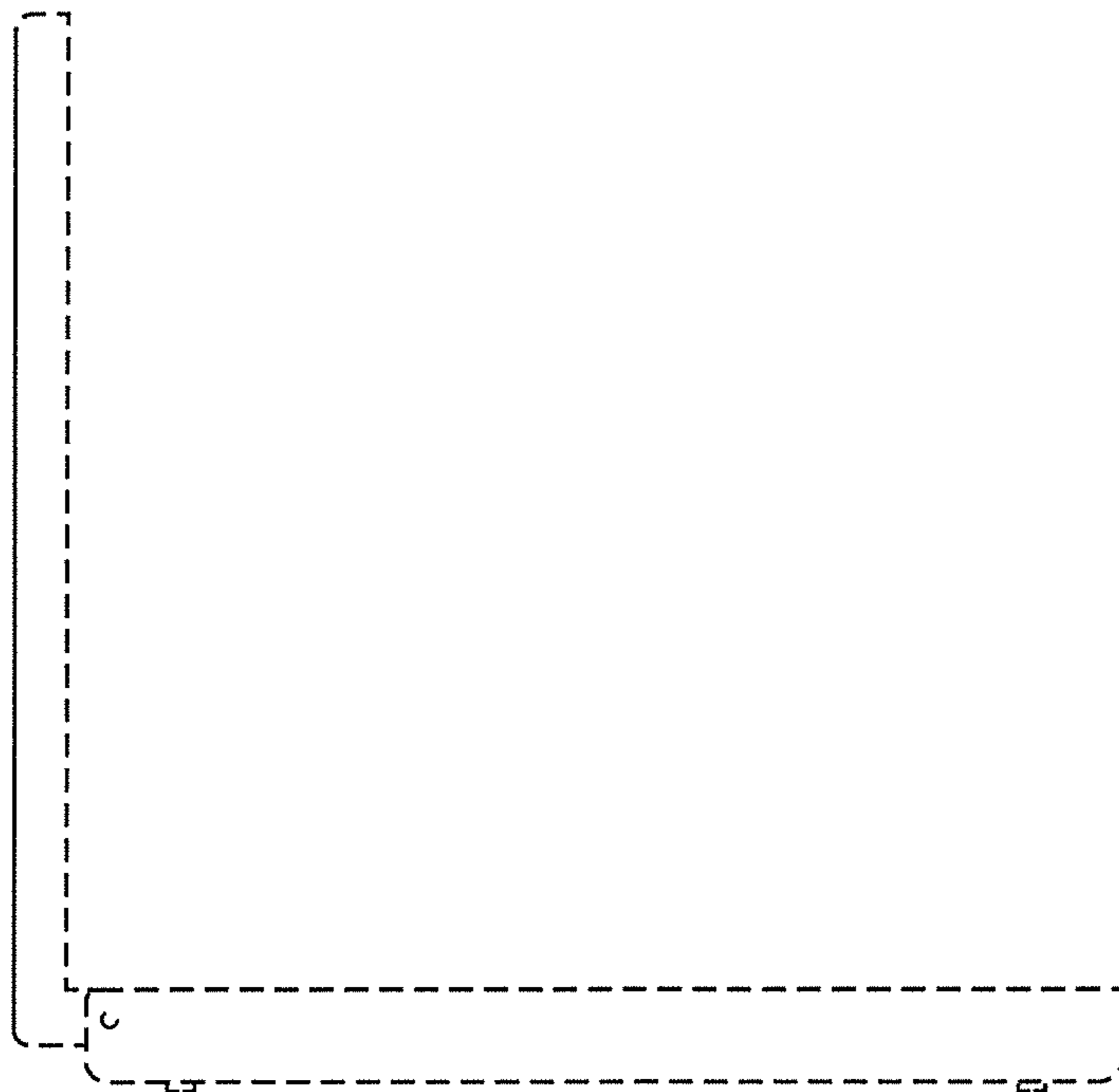


FIG. 6

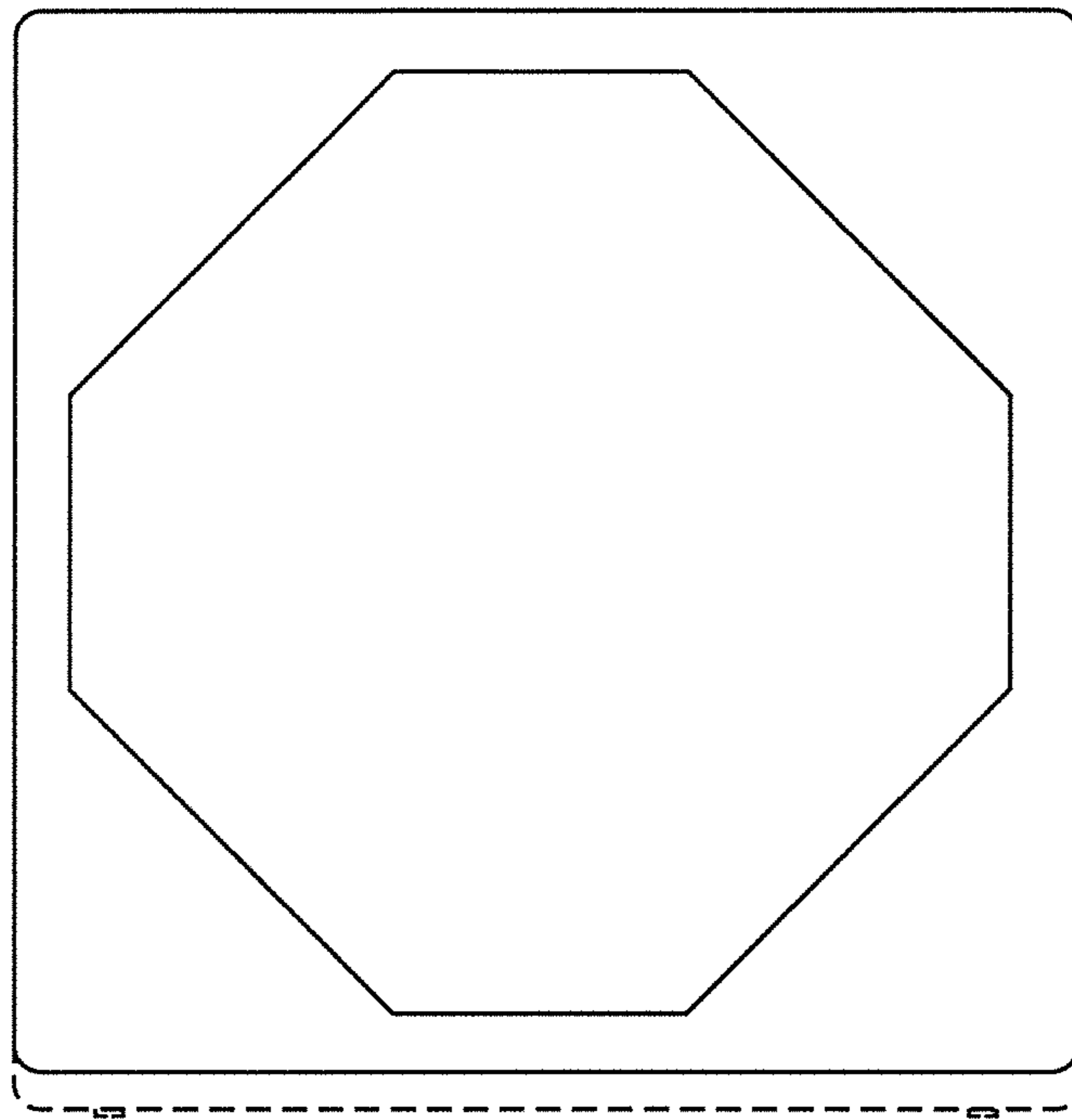


FIG. 7

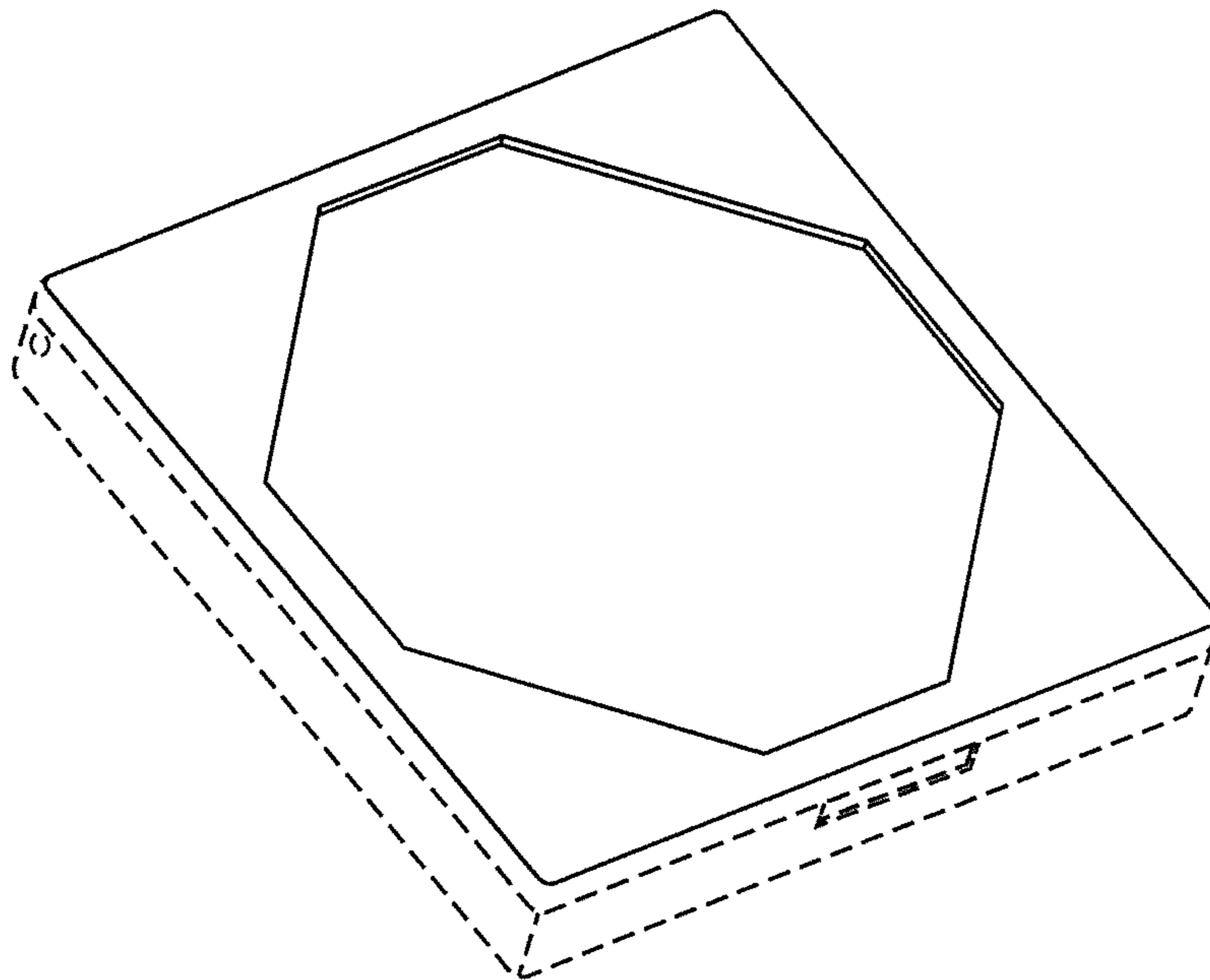


FIG. 8