



US00D887642S

(12) **United States Design Patent** (10) **Patent No.:** **US D887,642 S**  
**Hodgson** (45) **Date of Patent:** **\*\* Jun. 16, 2020**

- (54) **CARTRIDGE COUPLER** 5,269,062 A \* 12/1993 Dallaire ..... B26B 21/446  
30/41
- (71) Applicant: **The Gillette Company LLC**, Boston, MA (US) D489,485 S \* 5/2004 Leventhal ..... D28/46  
D602,634 S 10/2009 Cataudella
- (72) Inventor: **Matthew James Hodgson**, Ramsbury (GB) D660,516 S \* 5/2012 Christie ..... D28/48  
D675,377 S \* 1/2013 Boulanger ..... D28/46  
D696,461 S \* 12/2013 Prat-Pfister ..... D28/53  
8,607,458 B2 12/2013 Hosseini  
9,221,185 B2 12/2015 Walker, Jr.
- (73) Assignee: **The Gillette Company LLC**, Boston, MA (US) 9,579,809 B2 \* 2/2017 Hawes ..... B26B 21/14  
D839,477 S \* 1/2019 Hodgson ..... D28/46  
2008/0034591 A1 \* 2/2008 Fung ..... B26B 19/02  
30/43.92

(\*\*) Term: **15 Years**

(Continued)

(21) Appl. No.: **29/672,275**

*Primary Examiner* — Jennifer Rivard

(22) Filed: **Dec. 4, 2018**

(74) *Attorney, Agent, or Firm* — John M. Lipchitz

**Related U.S. Application Data**

(62) Division of application No. 29/601,000, filed on Apr. 18, 2017, now Pat. No. Des. 839,477.

(51) **LOC (12) Cl.** ..... **28-03**

(52) **U.S. Cl.**  
USPC ..... **D28/47**

(58) **Field of Classification Search**  
USPC ..... D28/50, 46–48  
CPC .... B26B 19/20–205; B26B 19/00–107; B26B 19/12–18; B26B 19/22–24; B26B 19/26–265; B26B 19/38–48  
See application file for complete search history.

(56) **References Cited**

**U.S. PATENT DOCUMENTS**

- 4,433,483 A \* 2/1984 Lazarus ..... B26B 21/446  
30/41
- D294,661 S \* 3/1988 Kang ..... A46B 15/0055  
D28/46
- D306,496 S \* 3/1990 Newberry, Jr. .... D28/45
- D309,036 S \* 7/1990 Cheng ..... D28/46
- D310,271 S \* 8/1990 Jacobson ..... D28/46
- D311,784 S \* 10/1990 Schwartz ..... D28/48

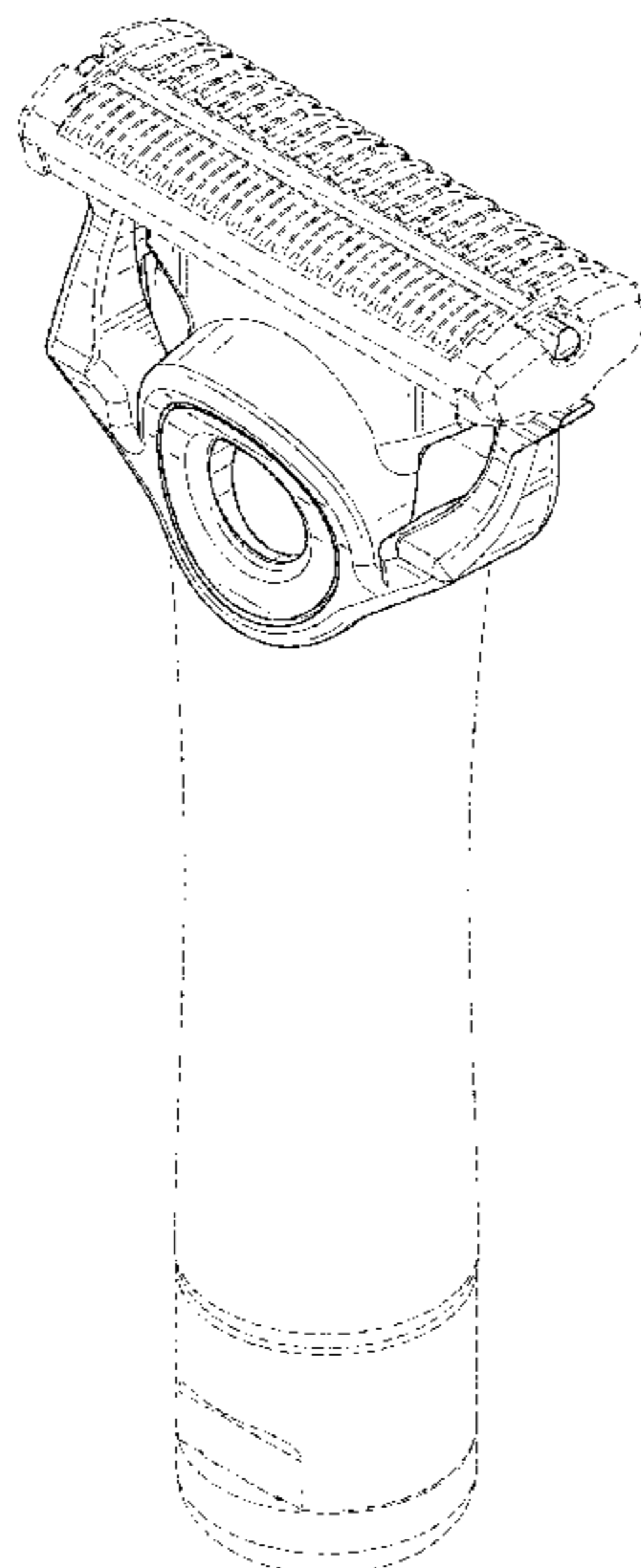
(57) **CLAIM**

The ornamental design for a cartridge coupler, as shown and described.

**DESCRIPTION**

FIG. 1 is a perspective view of a cartridge coupler in a closed position showing our new design;  
 FIG. 2 is a front view thereof;  
 FIG. 3 is a rear view thereof;  
 FIG. 4 is a right side view thereof;  
 FIG. 5 is a left side view thereof;  
 FIG. 6 is a top view thereof;  
 FIG. 7 is a bottom view thereof;  
 FIG. 8 is another perspective view thereof;  
 FIG. 9 is another front view thereof;  
 FIG. 10 is another rear view thereof;  
 FIG. 11 is another right side view thereof;  
 FIG. 12 is another left side view thereof;  
 FIG. 13 is another top view thereof; and,  
 FIG. 14 is another bottom view thereof.  
 The broken lines illustrate the environment of the cartridge coupler and form no part of the claimed design.

**1 Claim, 8 Drawing Sheets**



(56)

**References Cited**

U.S. PATENT DOCUMENTS

2009/0126197 A1\* 5/2009 Tomassetti ..... B26B 21/446  
30/41  
2010/0236071 A1\* 9/2010 Szczepanowski .... B26B 21/446  
30/41.5  
2017/0001320 A1\* 1/2017 Hodgson ..... B26B 21/446  
2017/0066148 A1\* 3/2017 Hodgson ..... B26B 21/4056  
2017/0112002 A1\* 4/2017 Behrendt ..... B26B 21/48  
2017/0264036 A1\* 9/2017 Broemse ..... H01R 13/516  
2017/0282390 A1\* 10/2017 Hodgson ..... B26B 21/14  
2017/0326743 A1\* 11/2017 Hodgson ..... B26B 21/48  
2017/0368702 A1\* 12/2017 Wain ..... B26B 19/40  
2018/0297220 A1\* 10/2018 Hodgson ..... B26B 21/522  
2018/0297221 A1\* 10/2018 Hodgson ..... B26B 21/522  
2018/0297222 A1\* 10/2018 Hodgson ..... B26B 21/446  
2018/0297223 A1\* 10/2018 Hodgson ..... B26B 21/522  
2019/0077033 A1\* 3/2019 Hodgson ..... B26B 21/18

\* cited by examiner

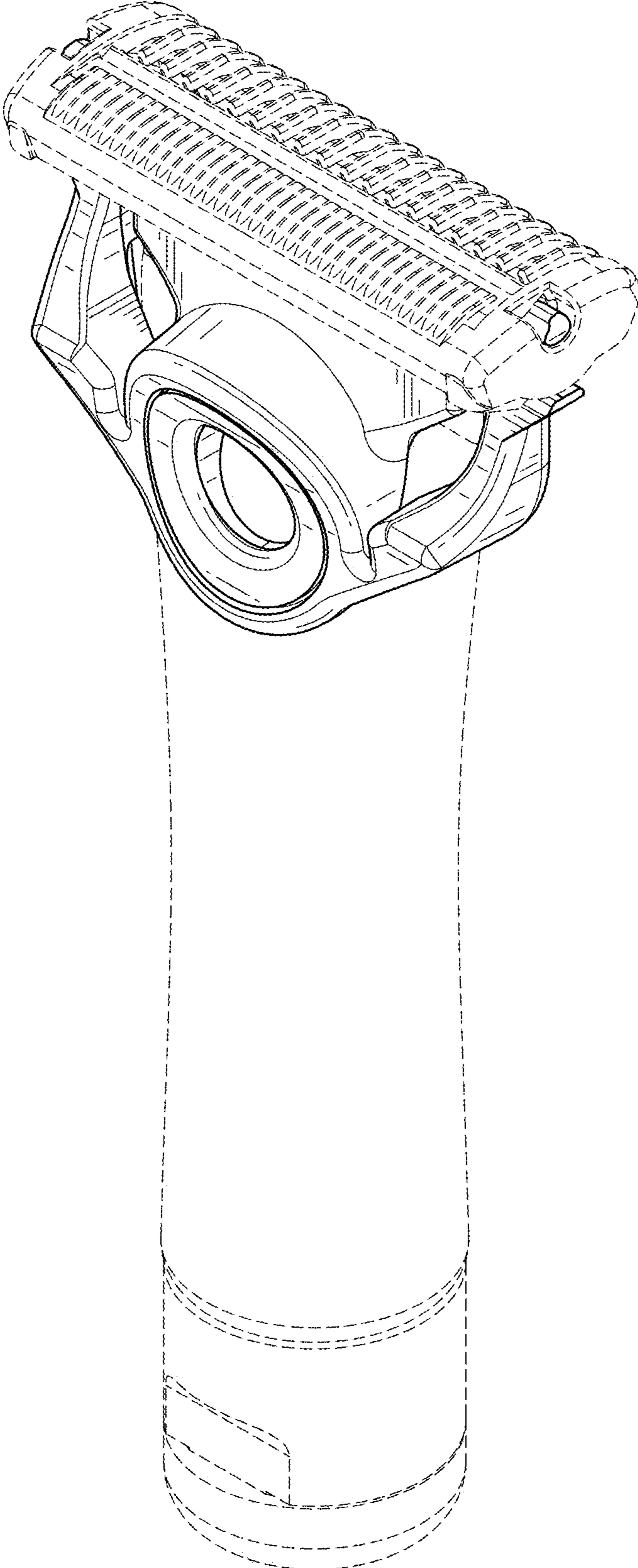


FIG. 1

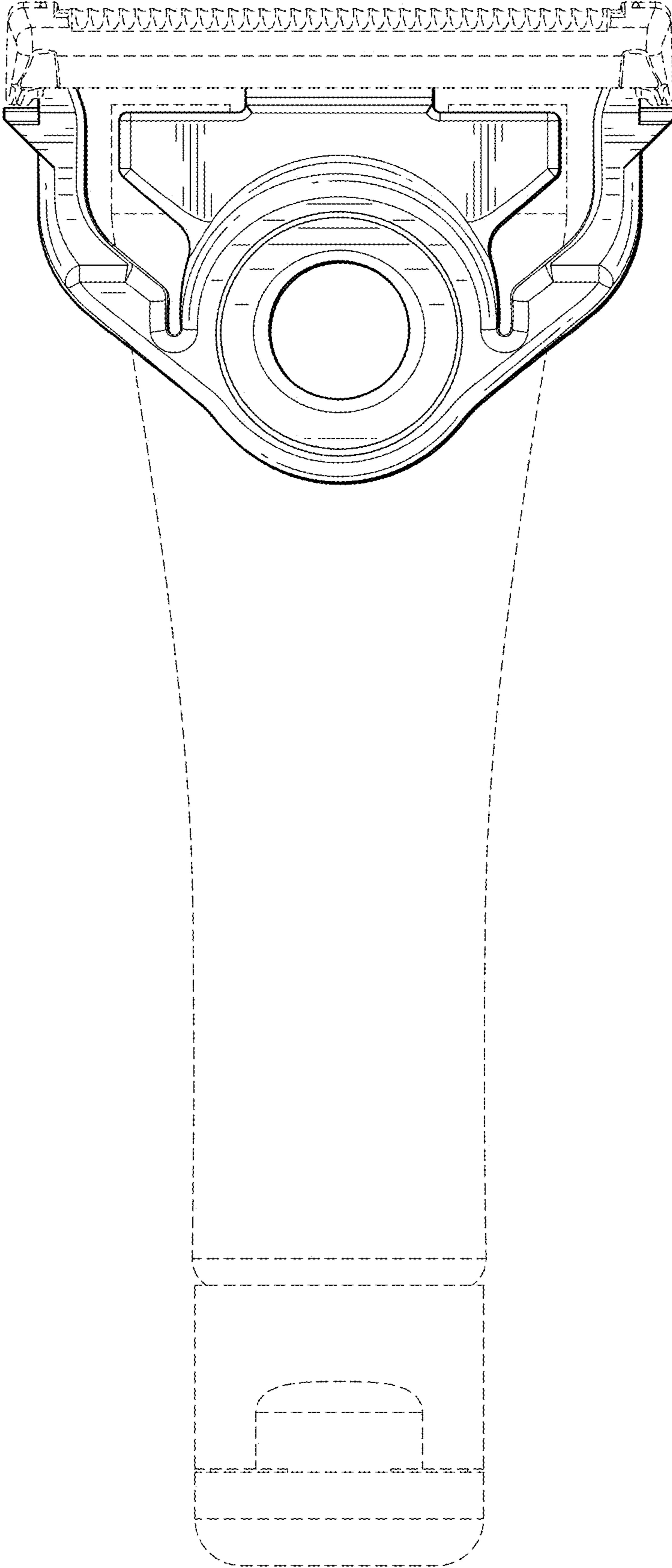


FIG. 2



FIG. 3

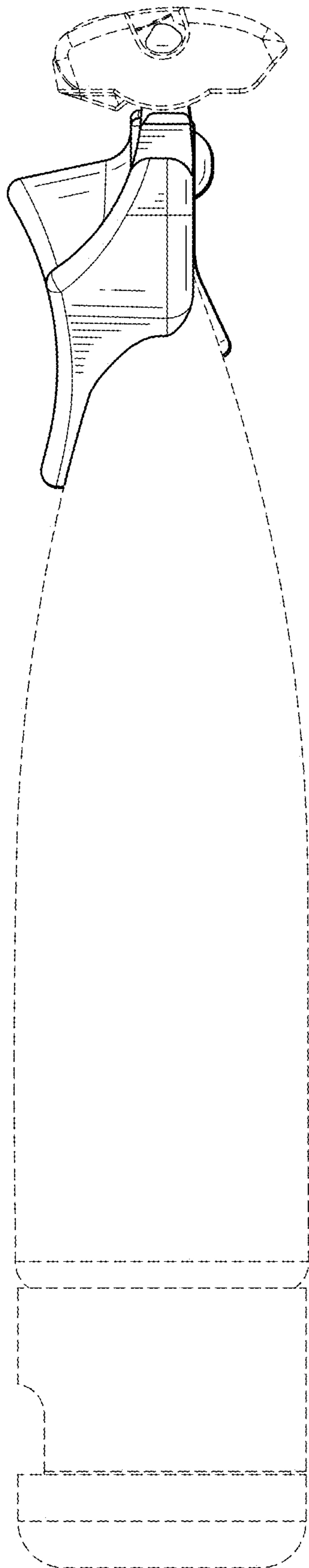


FIG. 4

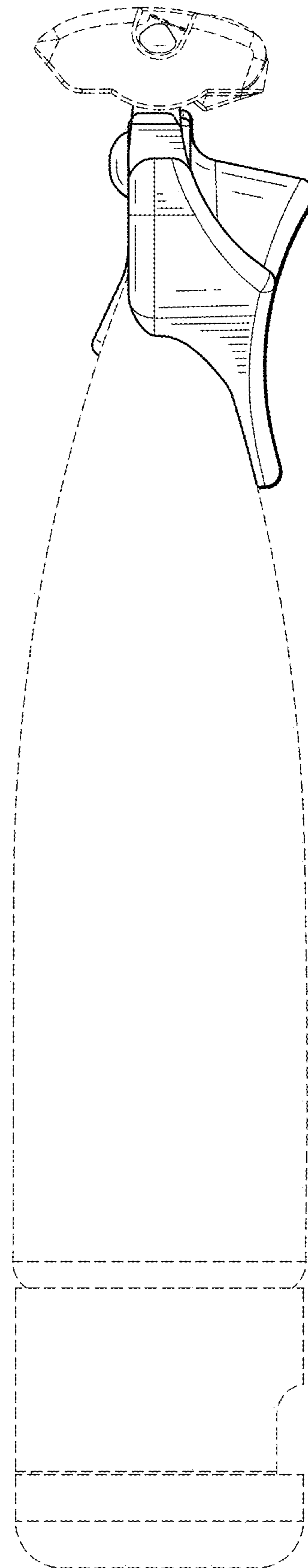


FIG. 5

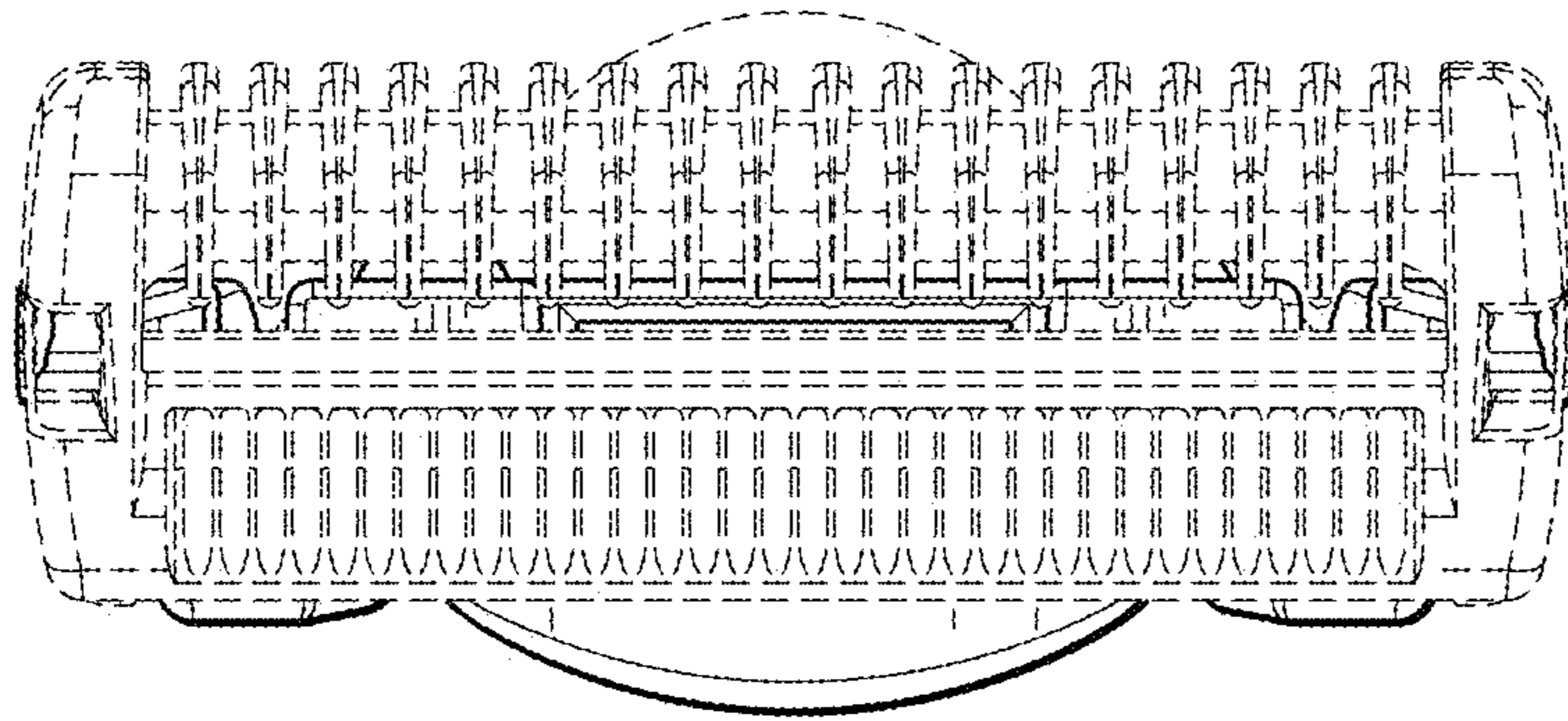


FIG. 6

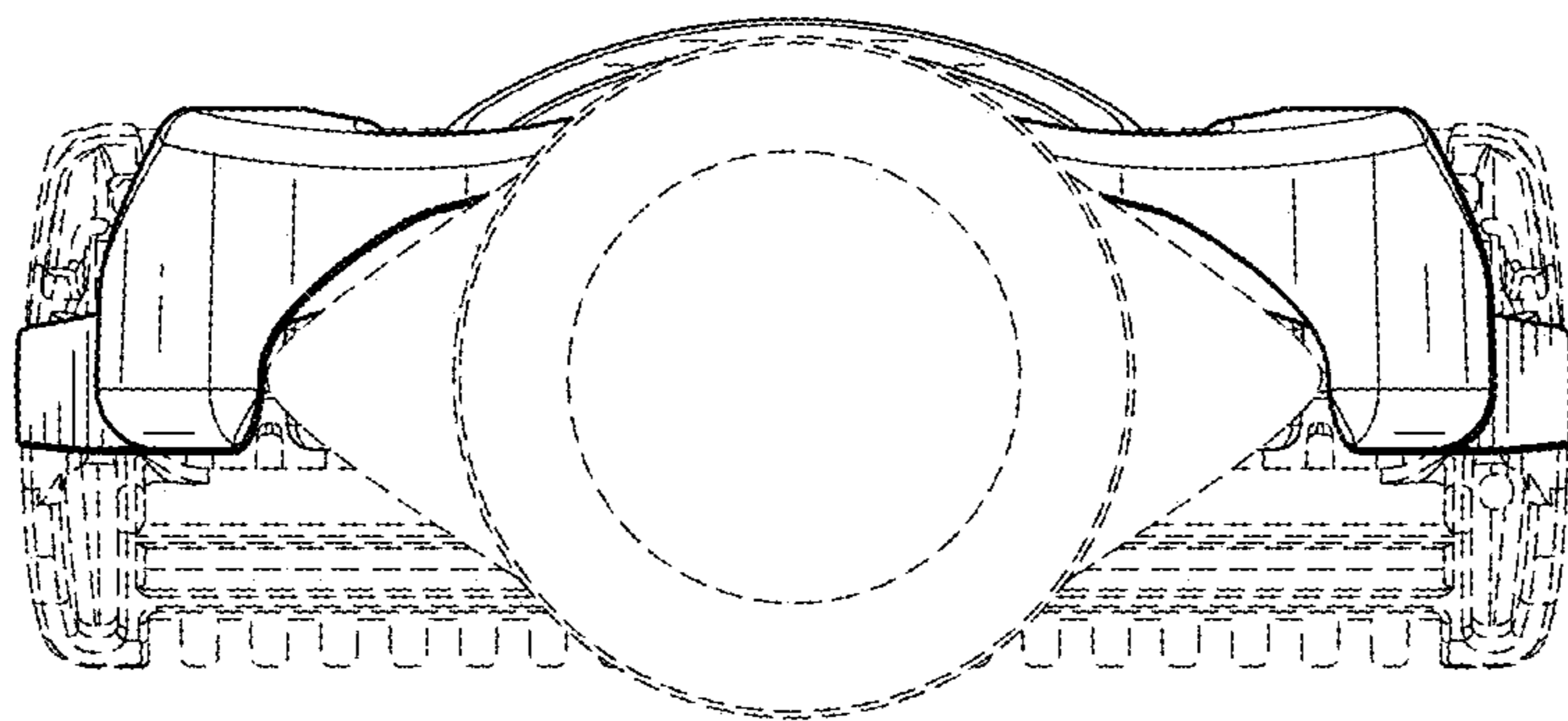


FIG. 7

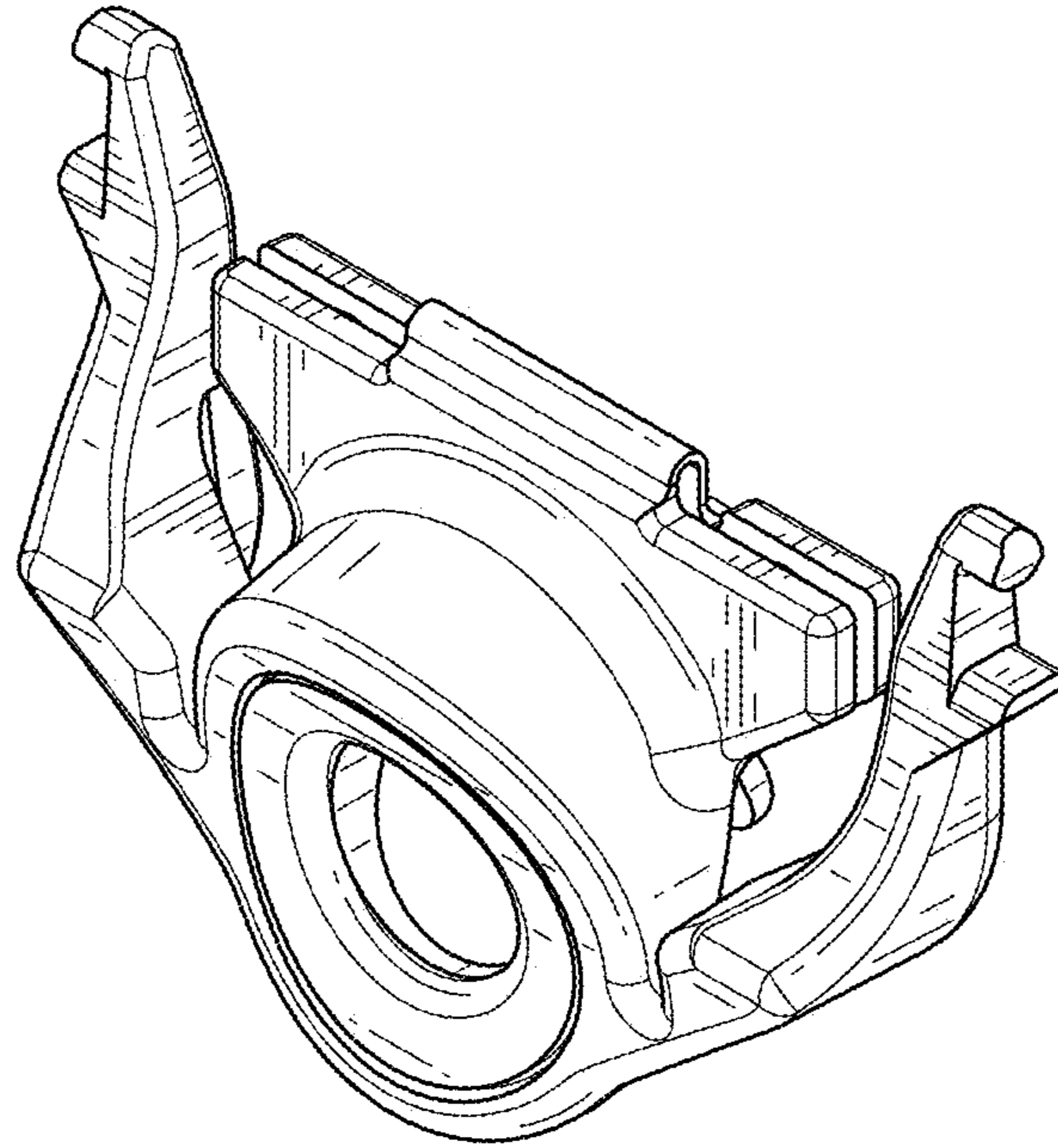


FIG. 8

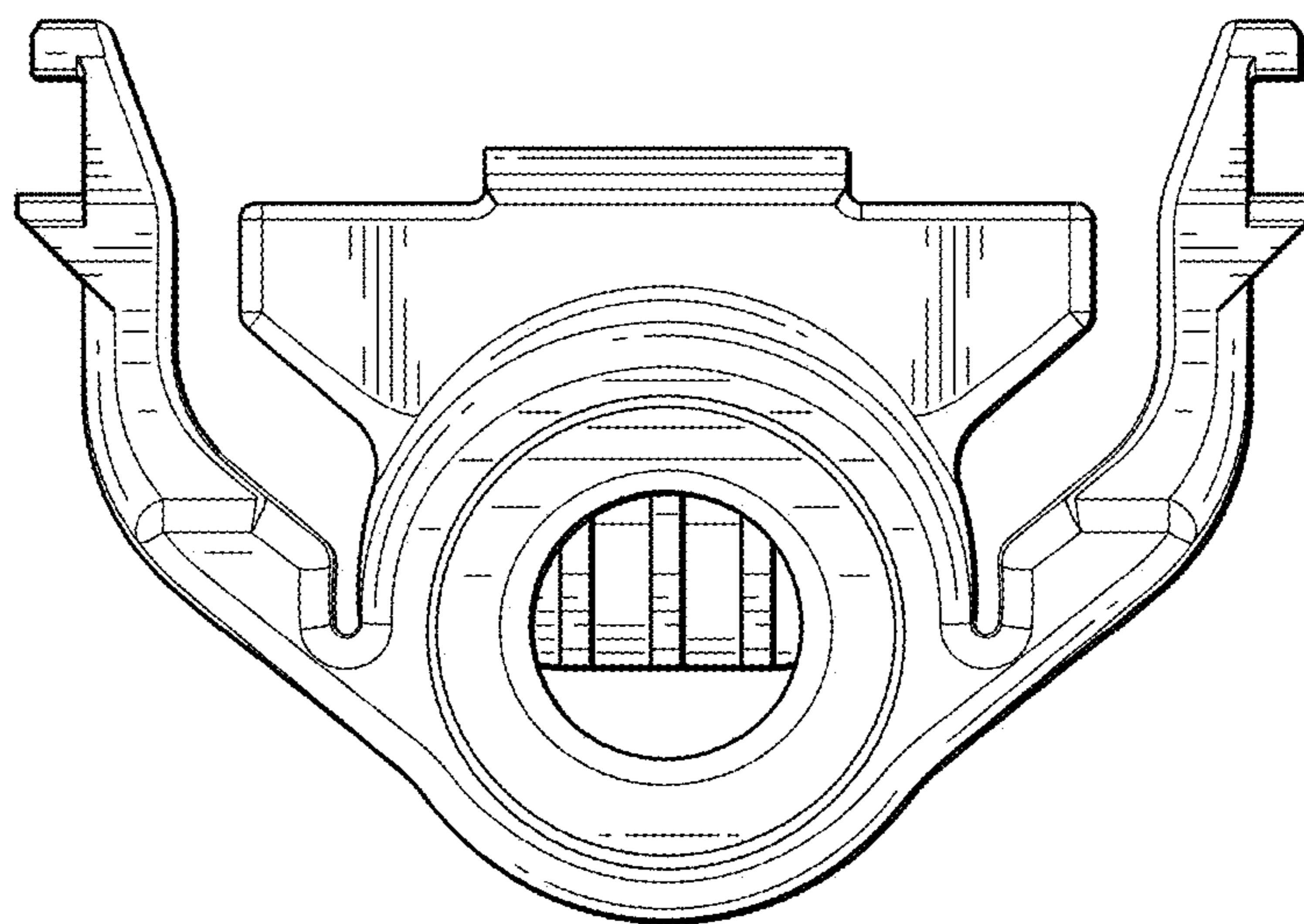


FIG. 9



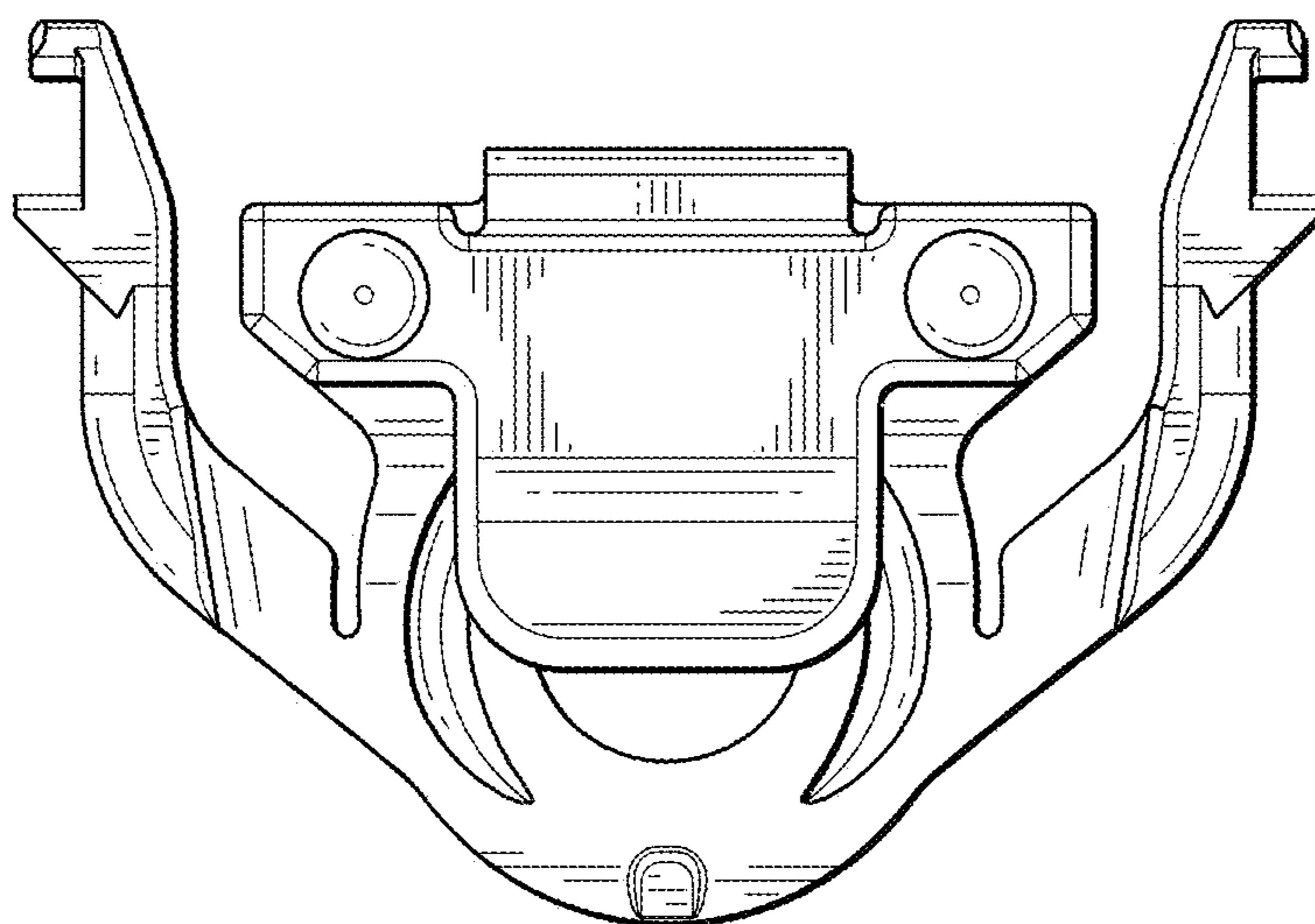


FIG. 10

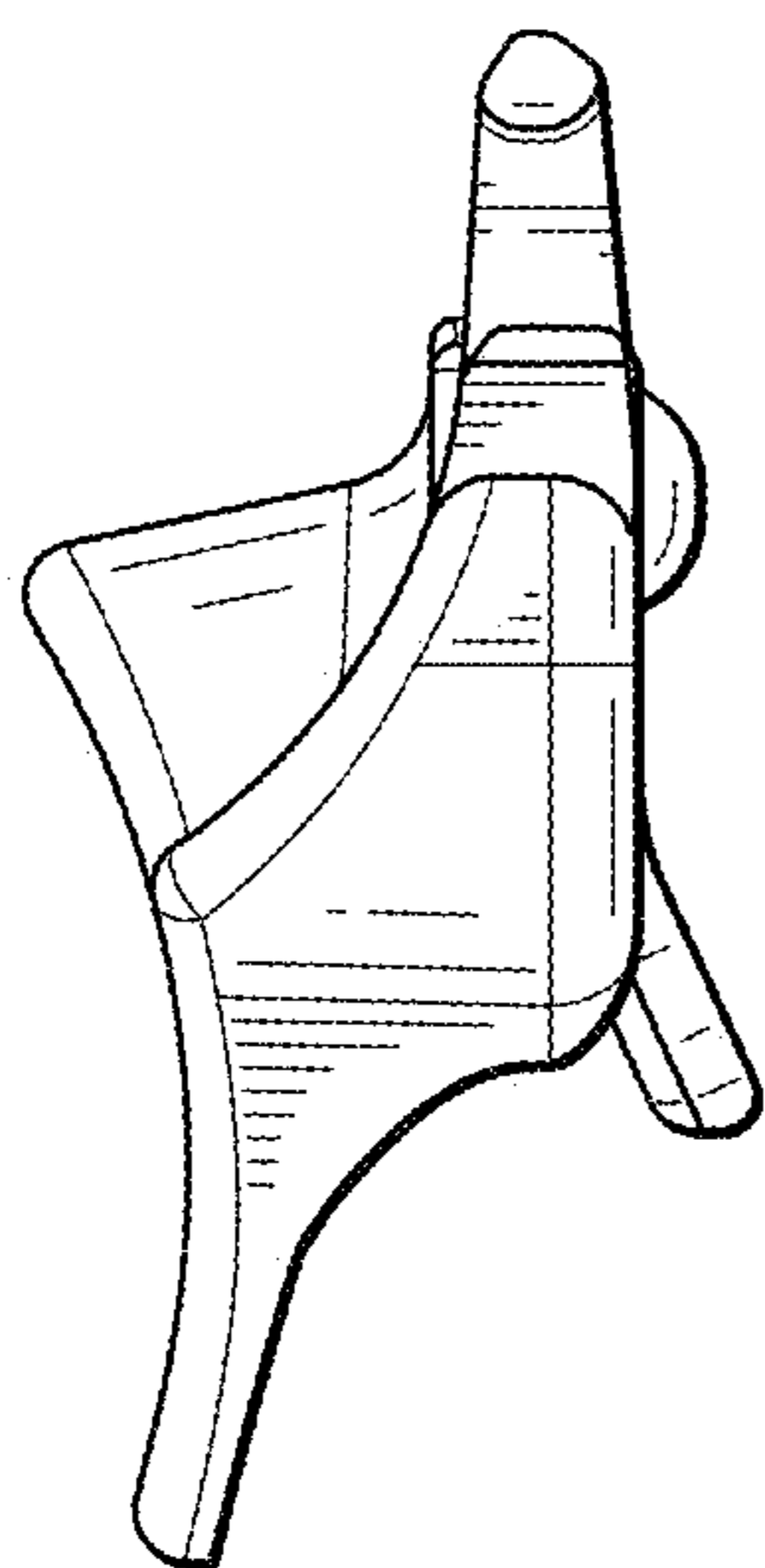


FIG. 11

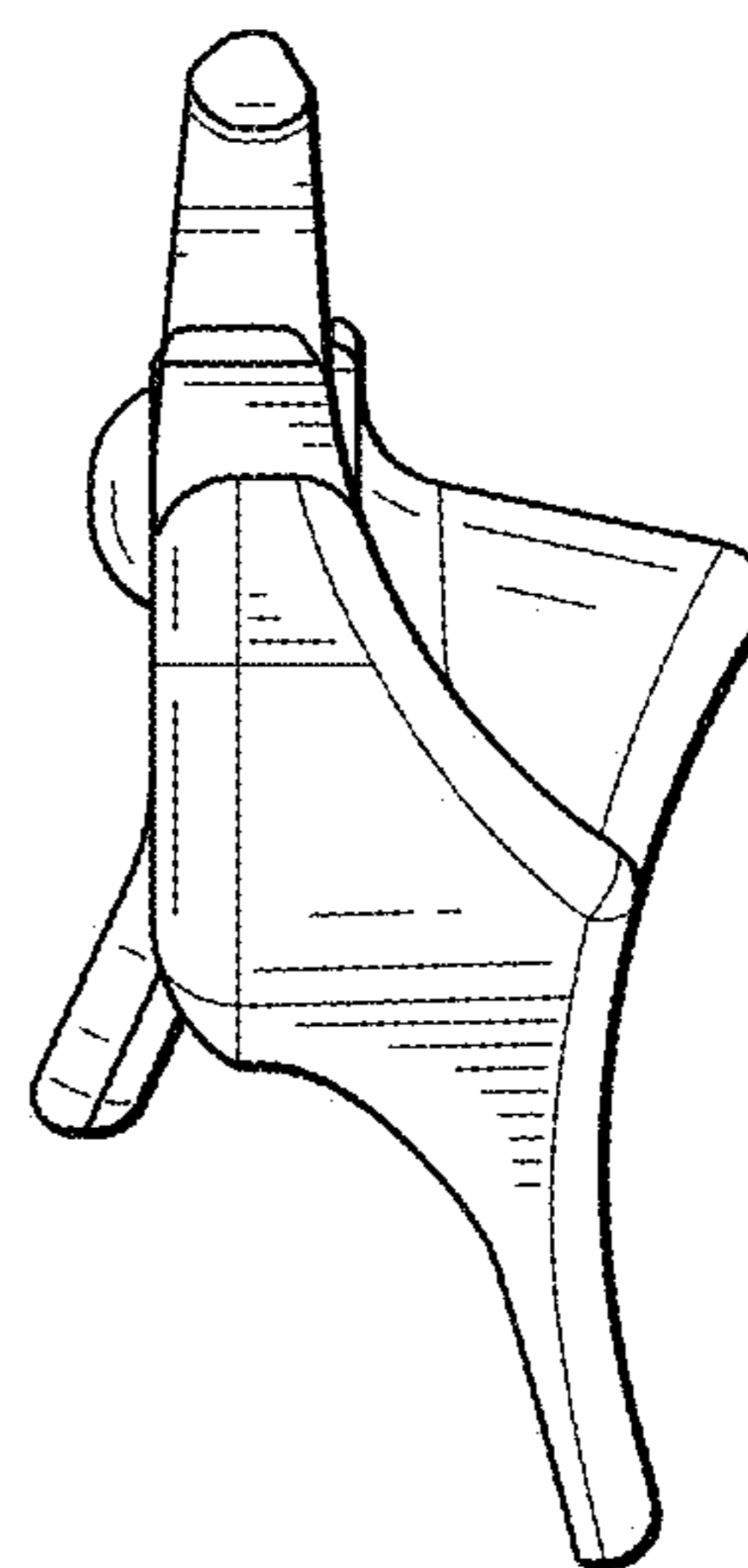


FIG. 12

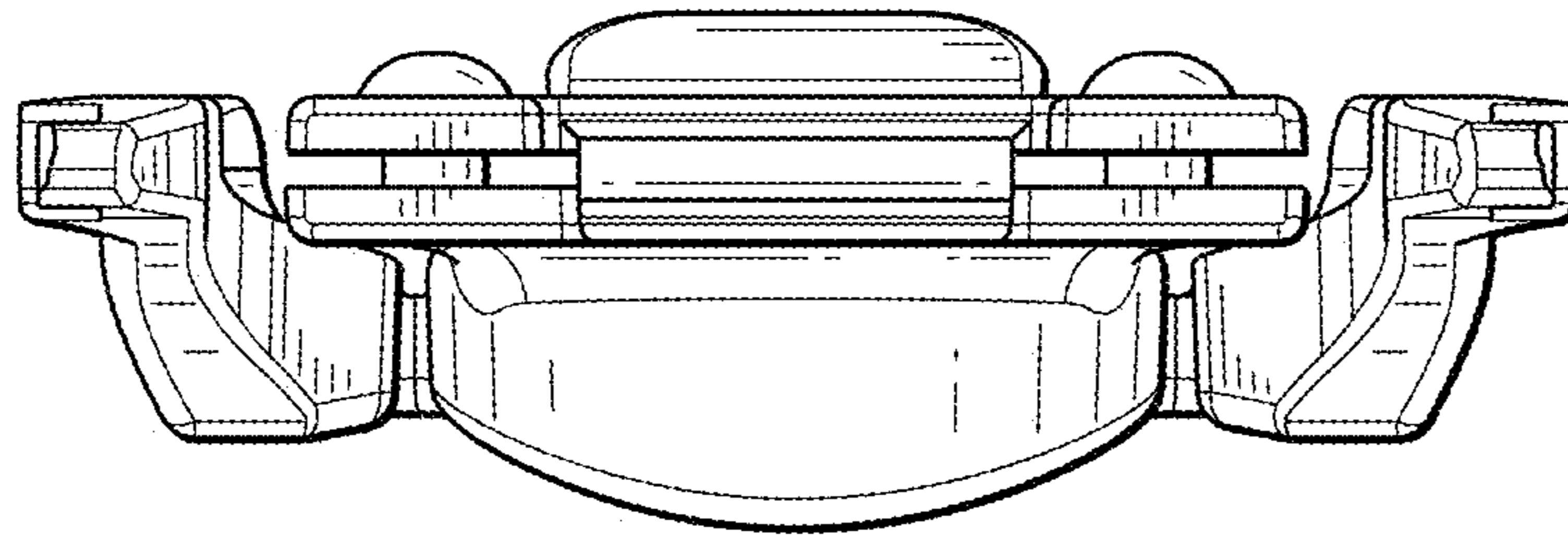


FIG. 13

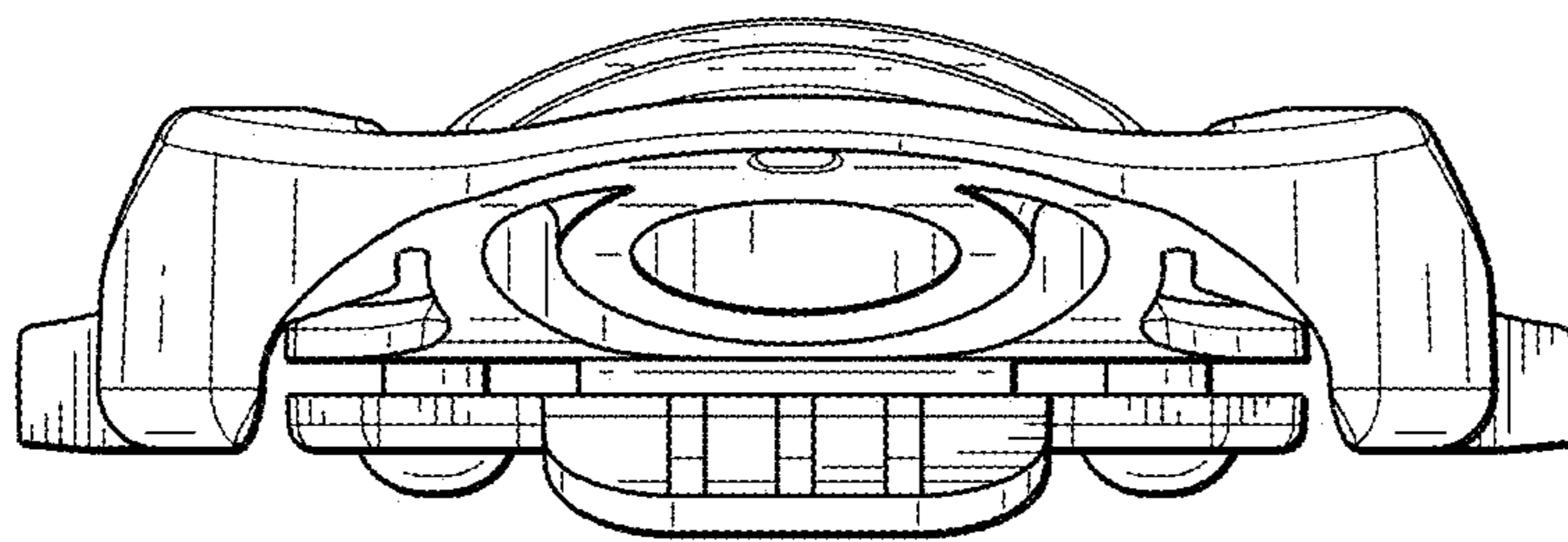


FIG. 14