



US00D887641S

(12) **United States Design Patent** (10) **Patent No.:** **US D887,641 S**
Ramm et al. (45) **Date of Patent:** **** Jun. 16, 2020**

- (54) **SHAVING RAZOR BUTTON**
- (71) Applicant: **The Procter & Gamble Company**,
Cincinnati, OH (US)
- (72) Inventors: **Christopher Ramm**, North Attleboro,
MA (US); **Philipp Goeder**, Frankfurt
(DE)
- (73) Assignee: **The Gillette Company LLC**, Boston,
MA (US)
- (**) Term: **15 Years**
- (21) Appl. No.: **29/650,044**
- (22) Filed: **Jun. 4, 2018**
- (51) **LOC (12) Cl.** **28-03**
- (52) **U.S. Cl.**
USPC **D28/47**
- (58) **Field of Classification Search**
USPC D28/44–54; D9/502, 516, 530, 562, 564;
D14/456
CPC ... B26B 21/00–12; B26B 21/14; B26B 21/16;
B26B 21/165; B26B 21/18; B26B 21/185;
B26B 21/20–227; B26B 19/00; B26B
19/10; B26B 19/12; B26B 19/14; B26B
19/38; B26B 19/02–107; B26B 21/44;
B26B 21/446; B26B 21/48; B26B 21/526;
B26B 19/40
See application file for complete search history.

- D474,478 S * 5/2003 Laverick D14/247
- D475,159 S * 5/2003 Fisher D28/48
- D549,671 S * 8/2007 Teiber D10/118
- D624,243 S * 9/2010 Rhoad D28/47
- D652,991 S * 1/2012 Cavazos Jimenez D28/48
- D654,221 S * 2/2012 Christie D28/48

(Continued)

Primary Examiner — Jennifer Rivard
Assistant Examiner — Alison M Ofstun
(74) *Attorney, Agent, or Firm* — John M. Lipchitz

(57) **CLAIM**

The ornamental design for a shaving razor button, as shown and described.

DESCRIPTION

FIG. 1 is a front perspective view of a shaving razor button, showing our new design in an environment of use; FIG. 2 is a front view thereof; FIG. 3 is a rear view thereof; FIG. 4 is a right side view thereof; FIG. 5 is a left side view thereof; FIG. 6 is a top view thereof; FIG. 7 is a bottom view thereof; FIG. 8 is a second front perspective view thereof; FIG. 9 is a rear perspective view thereof; FIG. 10 is a front perspective of a shaving razor button; FIG. 11 is a front view thereof; FIG. 12 is a rear view thereof; FIG. 13 is a right side view thereof; FIG. 14 is a left side view thereof; FIG. 15 is a top view thereof; FIG. 16 is a bottom view thereof; and, FIG. 17 is a second front perspective view thereof.

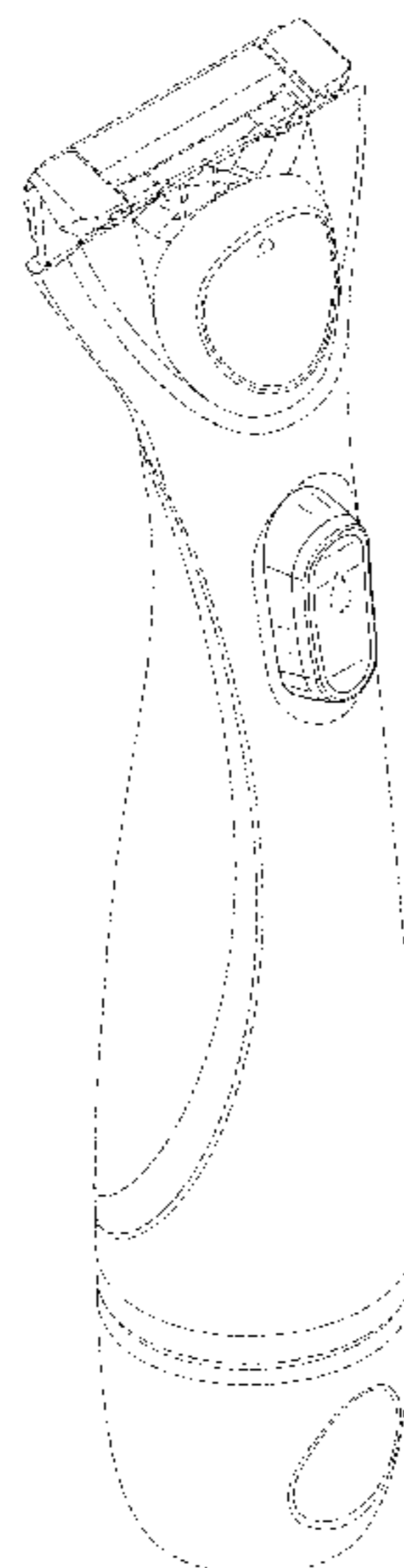
In the drawings, the broken lines showing the tear-drop shape on the front surface of the article represents portions of the article and form no part of the claimed design. All other broken lines in FIGS. 1-9 represent environmental subject matter and form no part of the claimed design.

1 Claim, 11 Drawing Sheets

(56) **References Cited**

U.S. PATENT DOCUMENTS

- 2,747,273 A * 5/1956 Olsson B26B 21/446
30/41
- D398,002 S * 9/1998 Chacon D14/456
- D417,034 S * 11/1999 Shurtleff D28/48
- D421,966 S * 3/2000 Allen D13/174
- D429,034 S * 8/2000 Shurtleff D28/48
- D437,661 S * 2/2001 Pinchuk D28/48
- D464,329 S * 10/2002 Mainiero D13/169



(56)

References Cited

U.S. PATENT DOCUMENTS

D656,676 S * 3/2012 Cavazos Jimenez D28/48
D656,677 S * 3/2012 Cavazos Jimenez D28/48
D660,516 S * 5/2012 Christie D28/48
D699,395 S * 2/2014 Bae D28/48
D710,056 S * 7/2014 Martin D28/48
D751,932 S * 3/2016 Chong D10/57
D764,971 S * 8/2016 Schulz D11/222
D828,310 S * 9/2018 Luke D13/174
D829,468 S * 10/2018 Anderson D6/580
D829,993 S * 10/2018 Hage D28/48
D843,658 S * 3/2019 Kong D28/48
2008/0209733 A1 * 9/2008 Johnson A45D 27/22
30/41
2009/0320293 A1 12/2009 Clarke
2012/0102761 A1 5/2012 Jessemey et al.
2013/0145625 A1 6/2013 Xu et al.
2015/0121705 A1 * 5/2015 Coffindaffer A61K 8/368
30/41.5
2018/0200899 A1 * 7/2018 Eagleton B26B 21/521
2018/0297225 A1 * 10/2018 Hodgson B26B 21/521
2019/0299471 A1 * 10/2019 Verasamy B26B 21/405
2019/0299472 A1 * 10/2019 Johnson B26B 21/4043
2019/0365078 A1 * 12/2019 Bourque A45D 27/00
2019/0365079 A1 * 12/2019 Bourque A45D 27/00

* cited by examiner

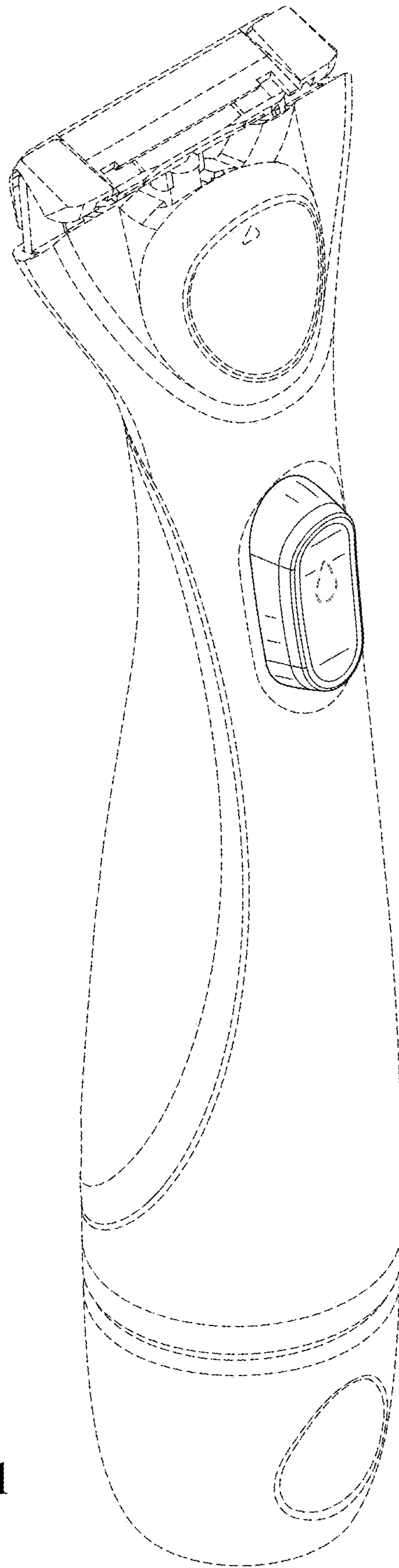


FIG. 1

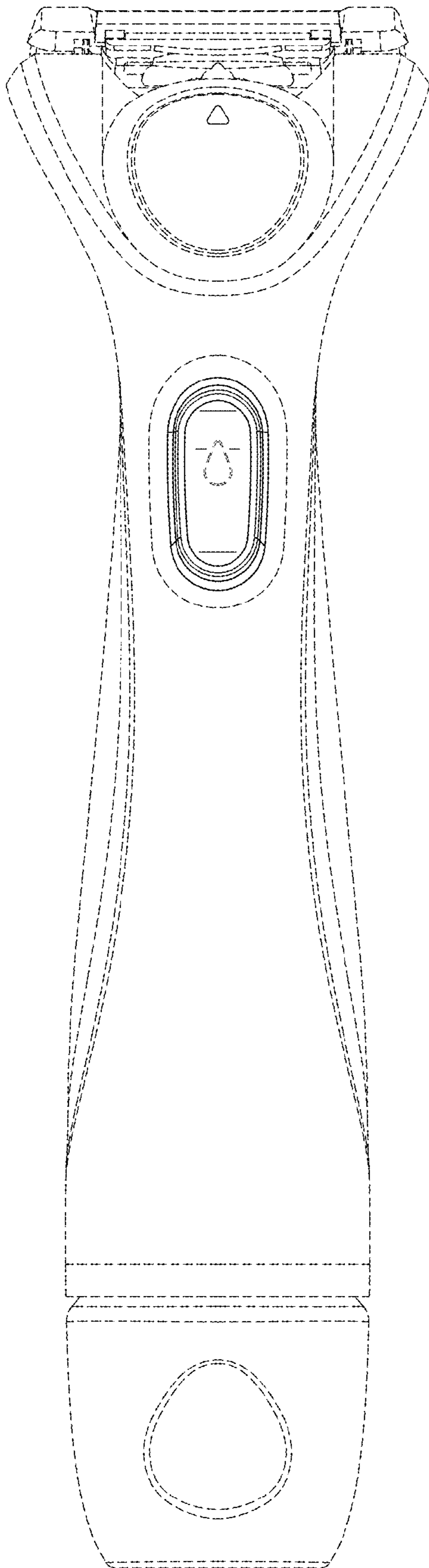


FIG. 2

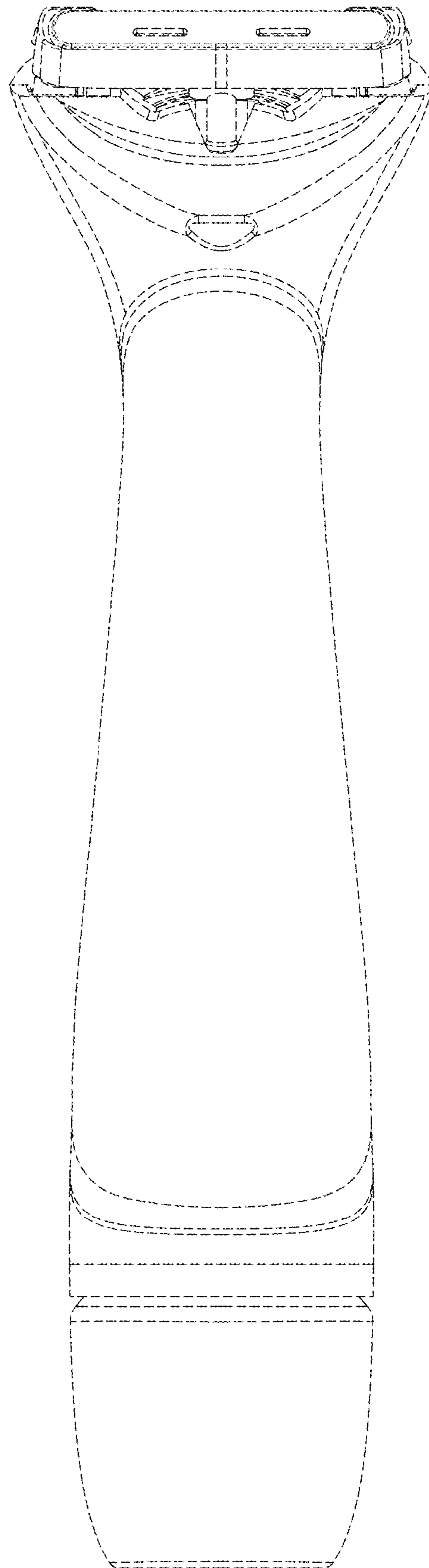


FIG. 3

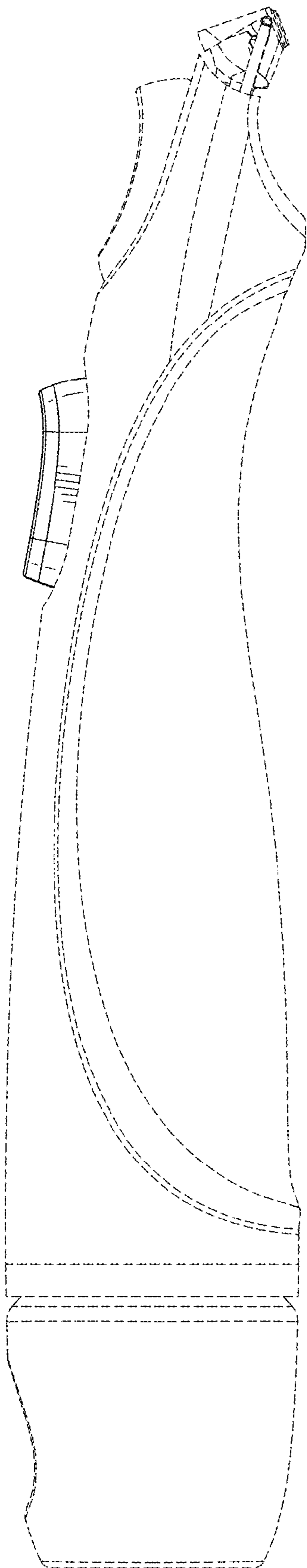


FIG. 4

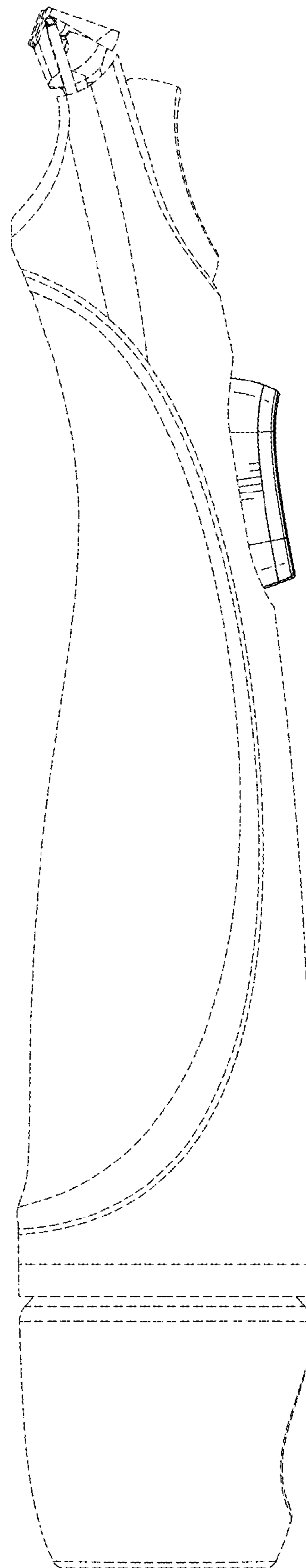


FIG. 5

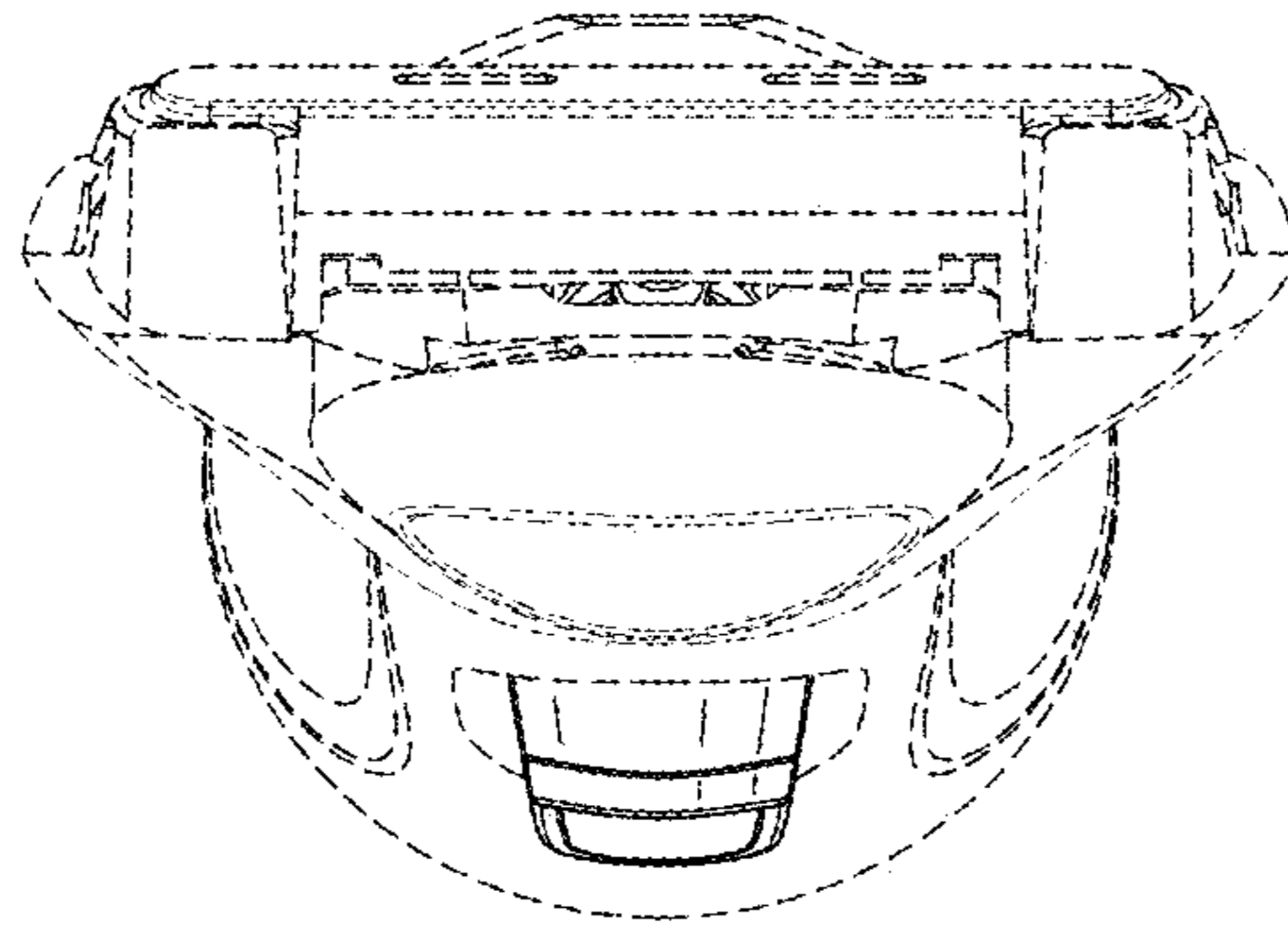


FIG. 6

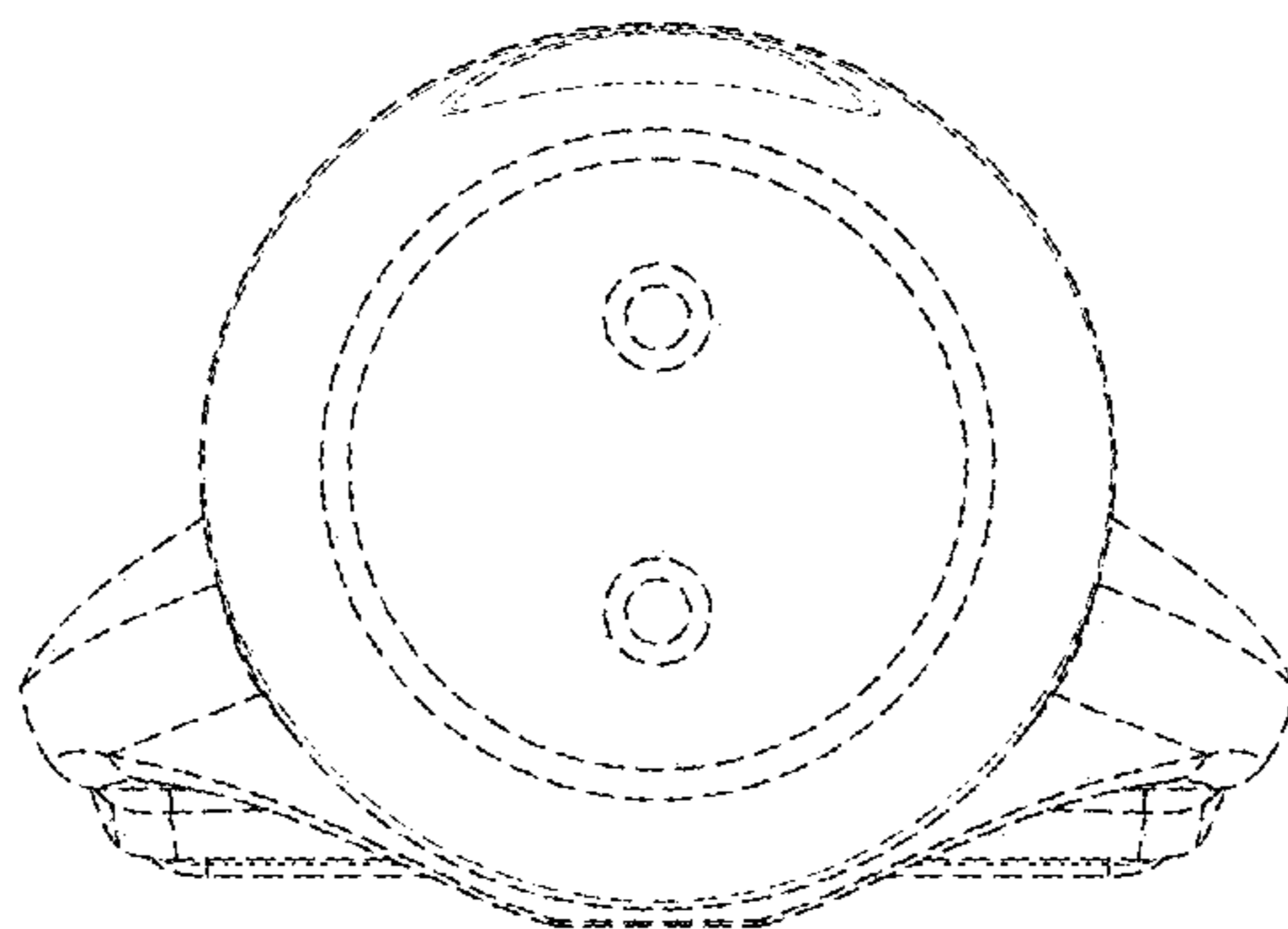


FIG. 7

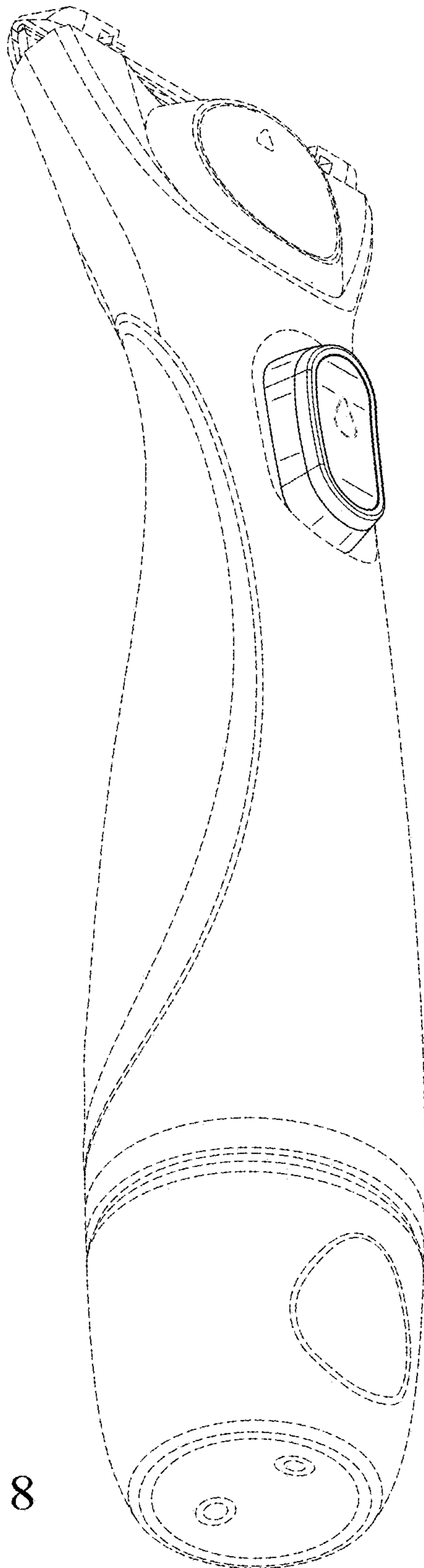


FIG. 8

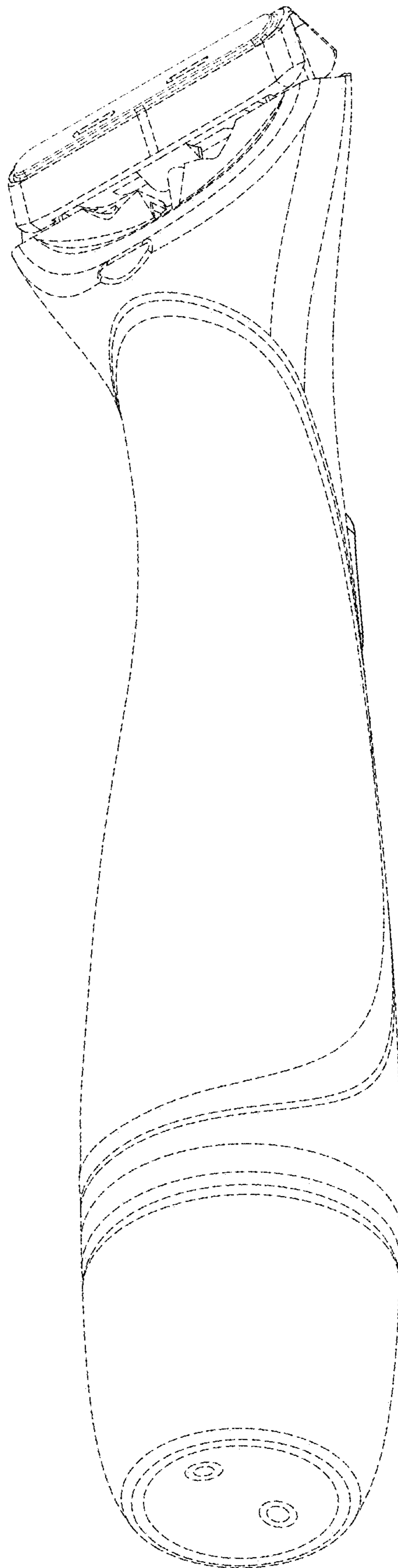


FIG. 9

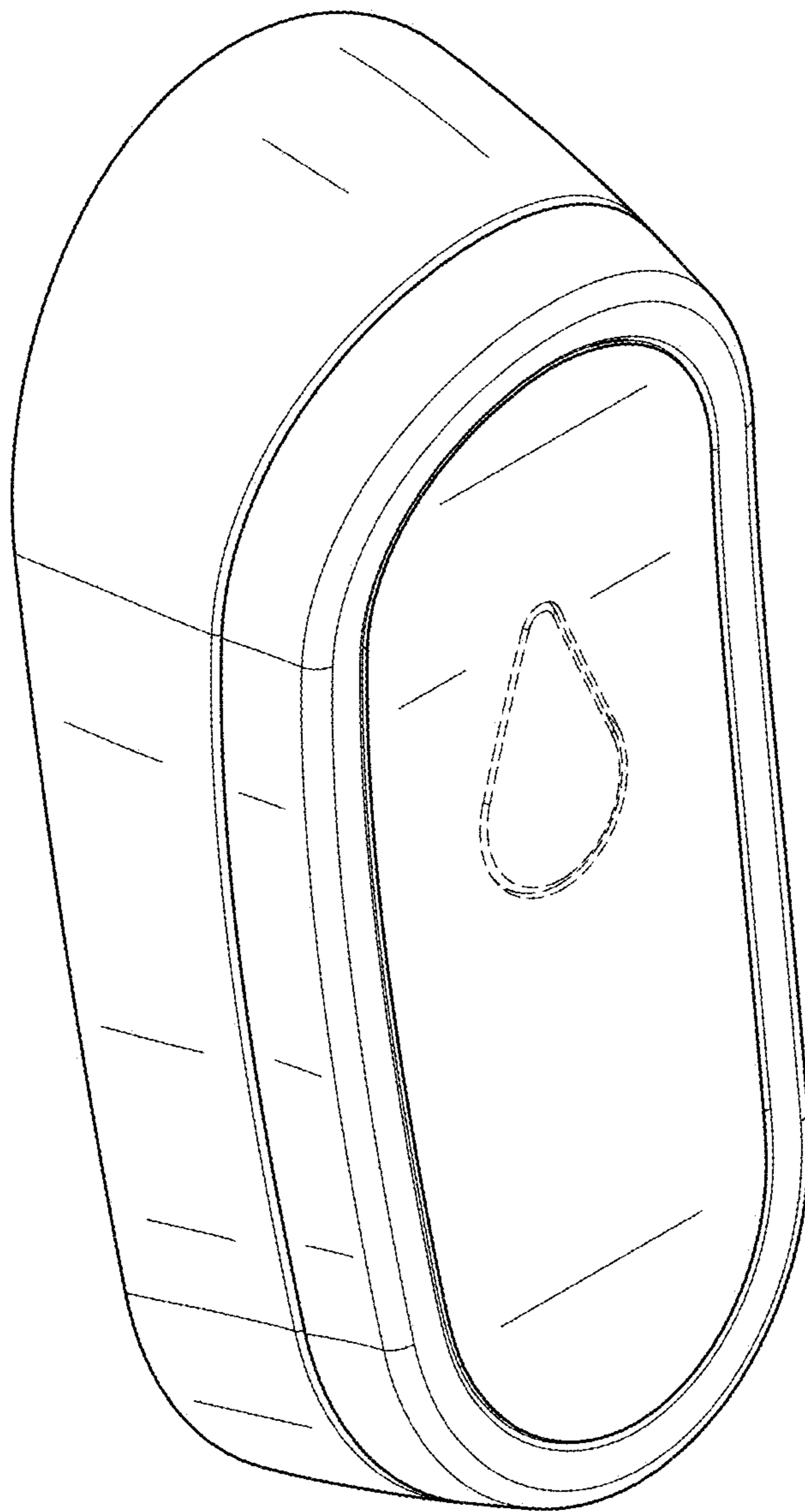


FIG. 10

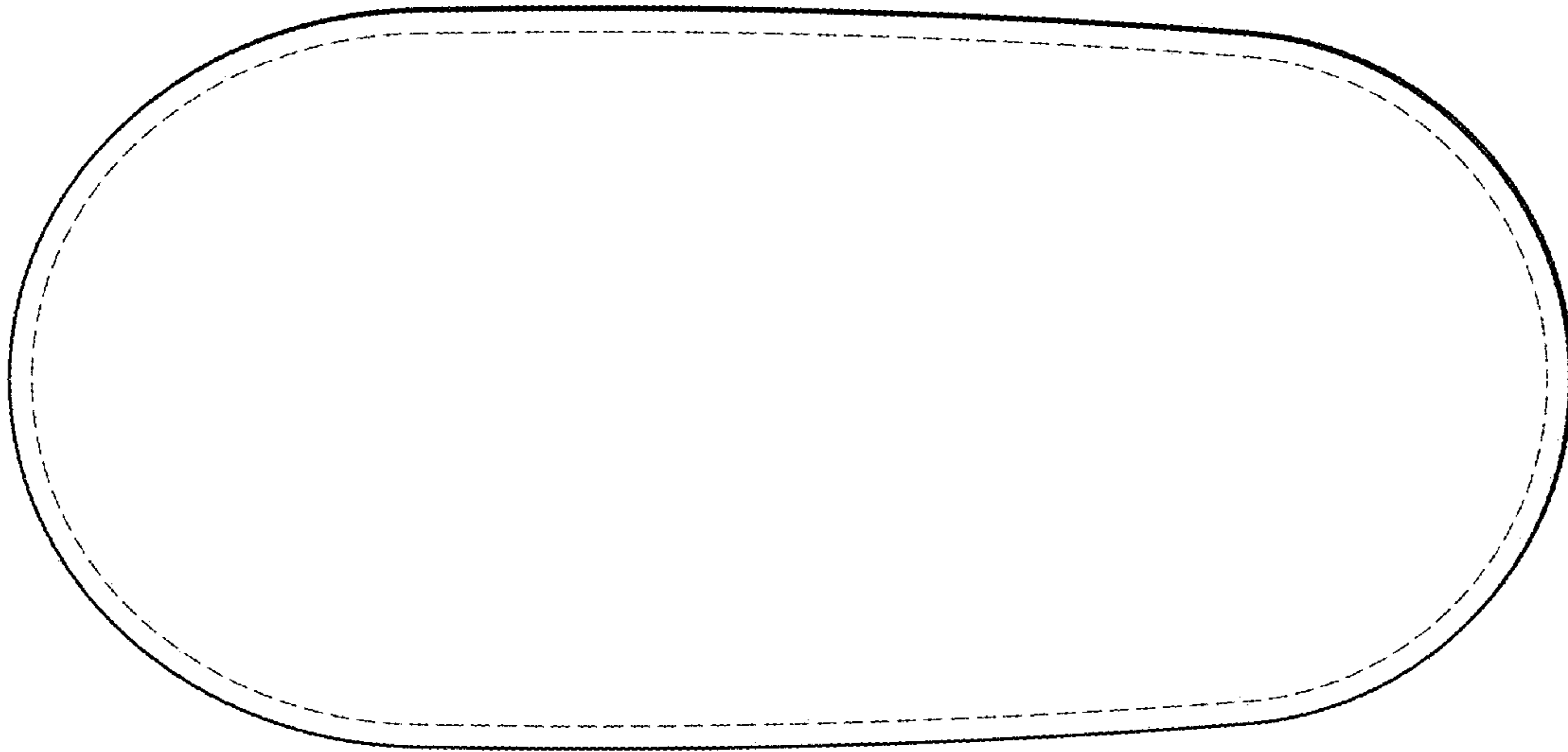


FIG. 12

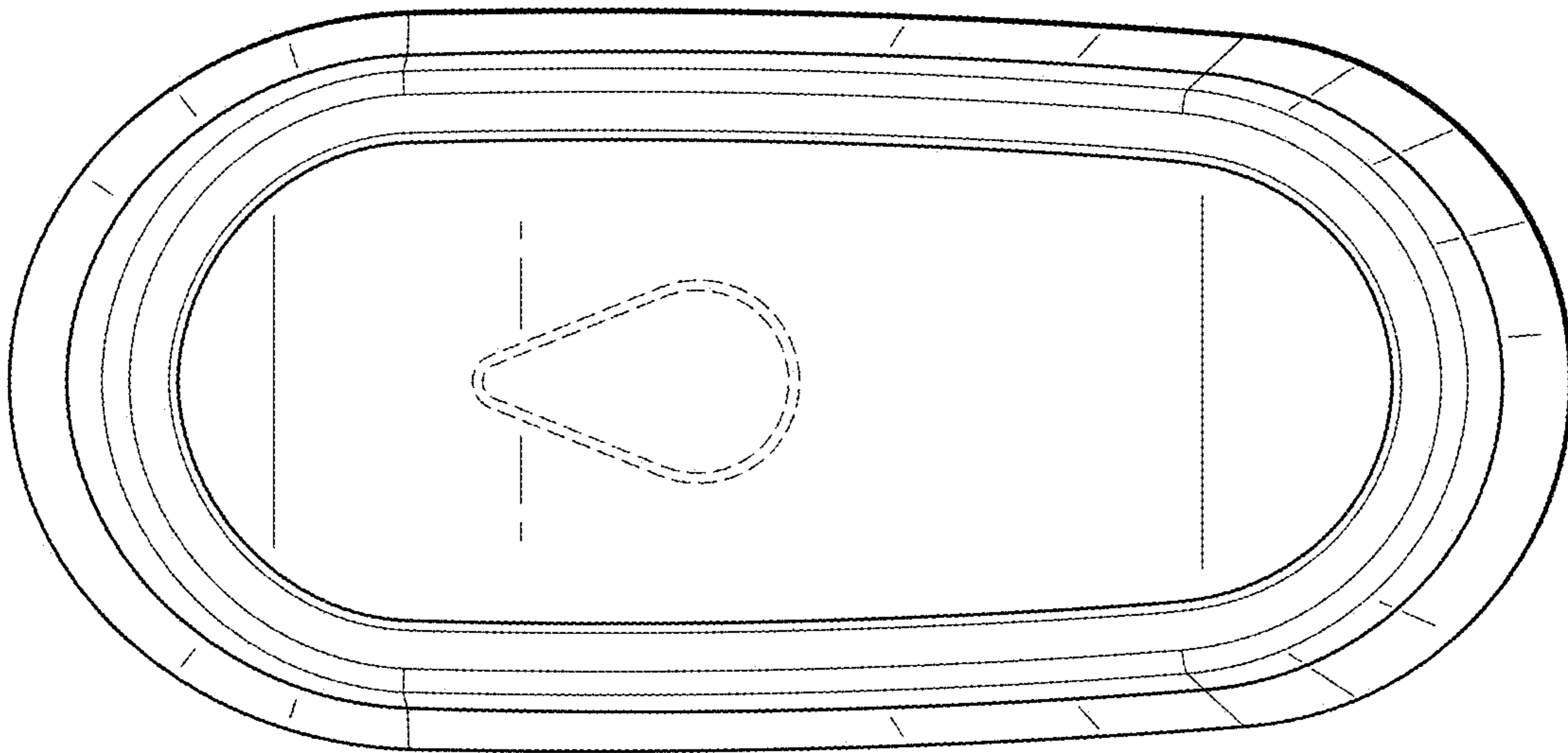


FIG. 11

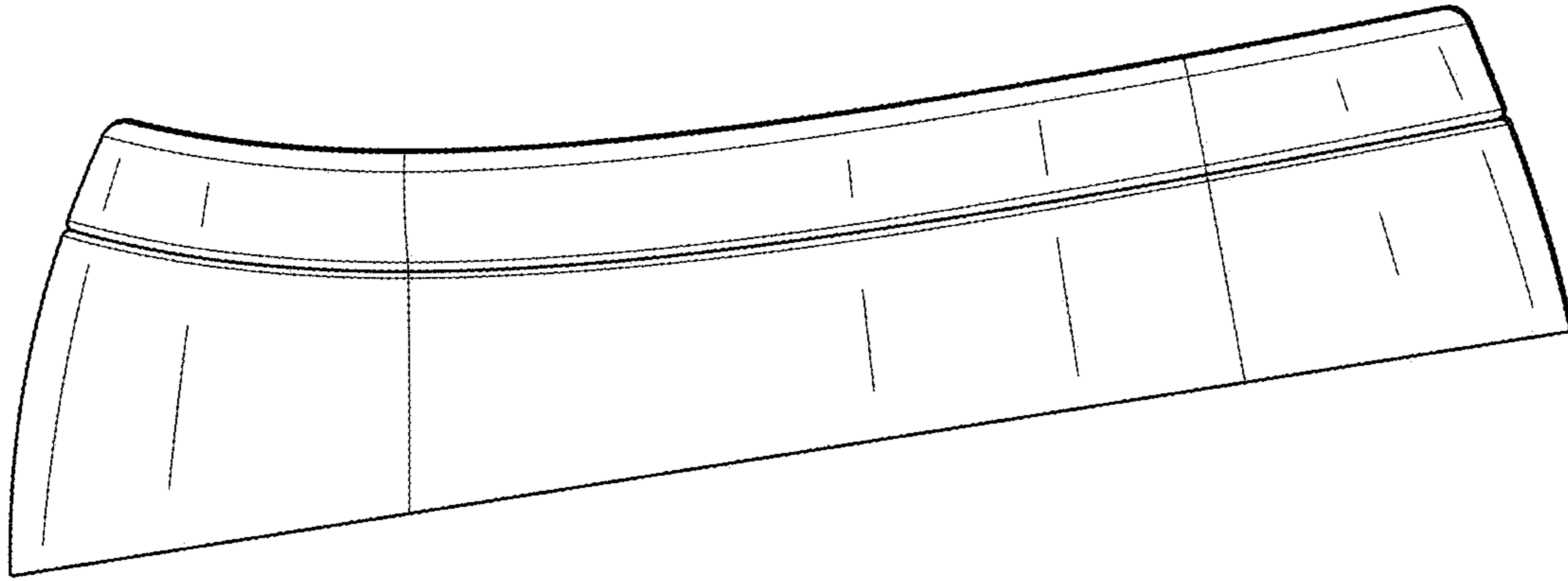


FIG. 14

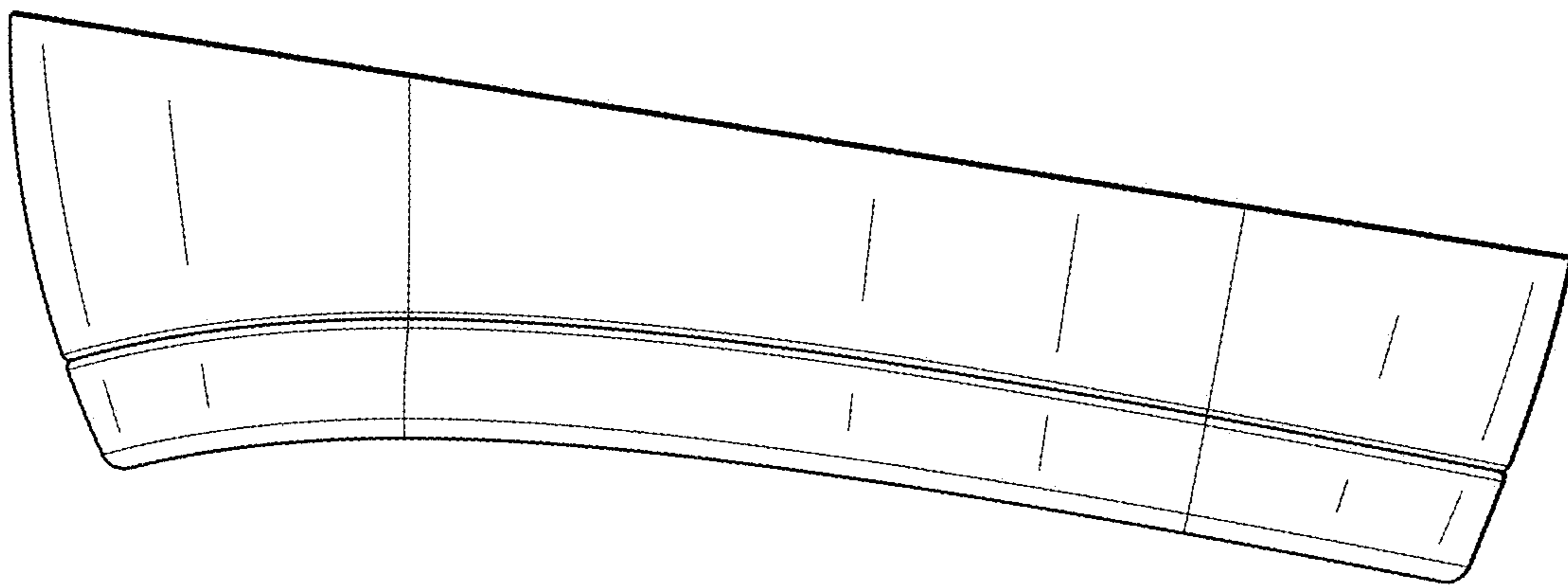


FIG. 13

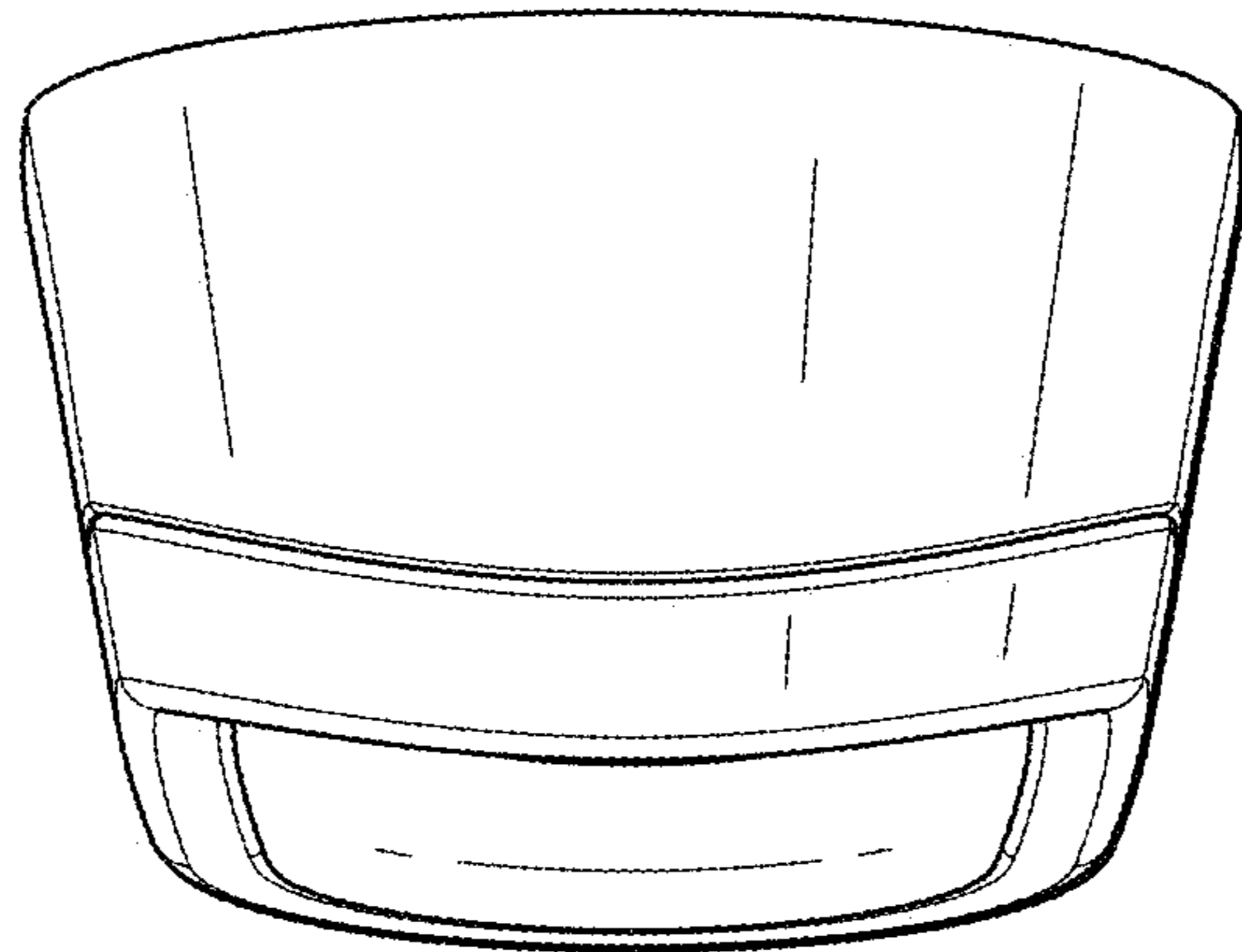


FIG. 15

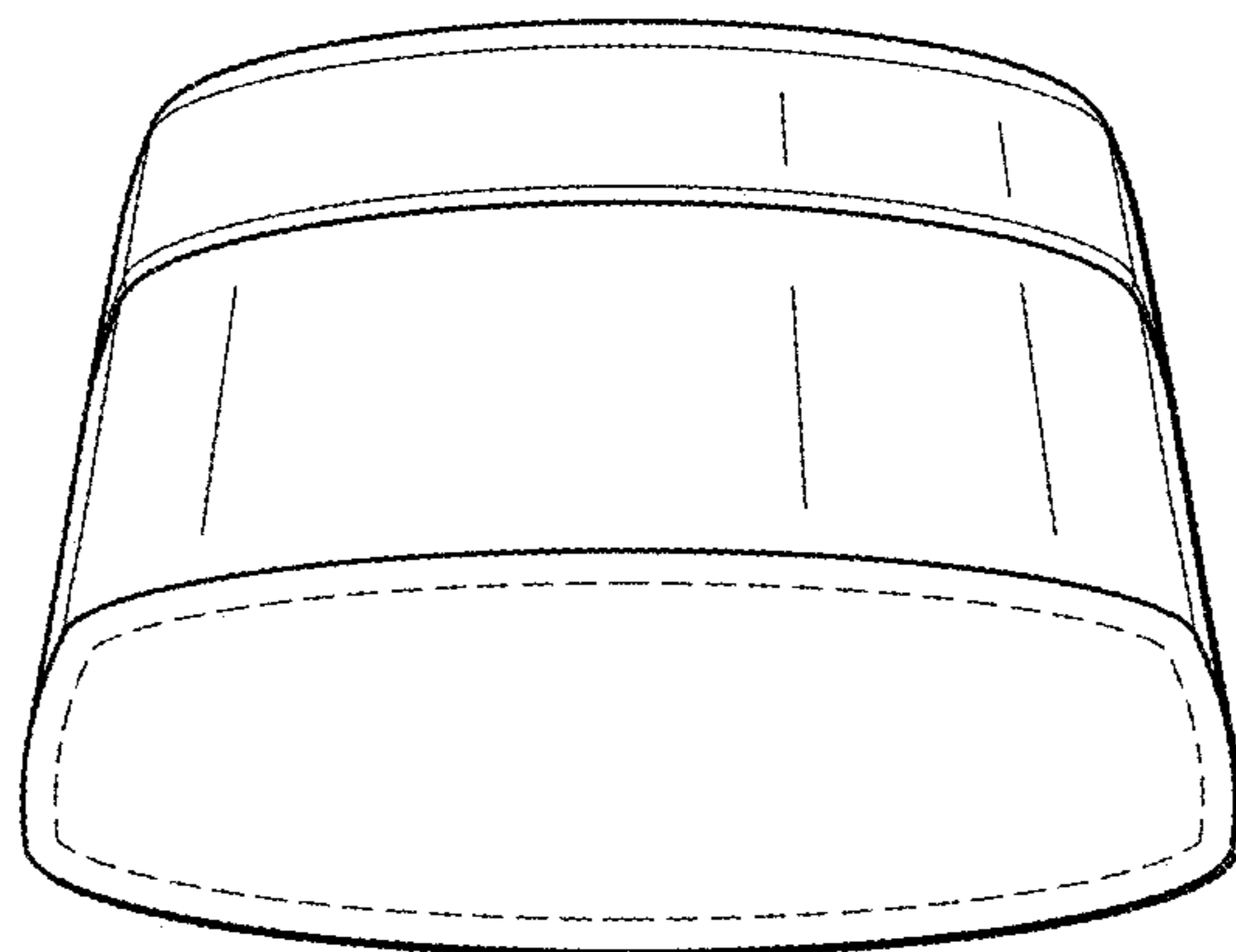


FIG. 16

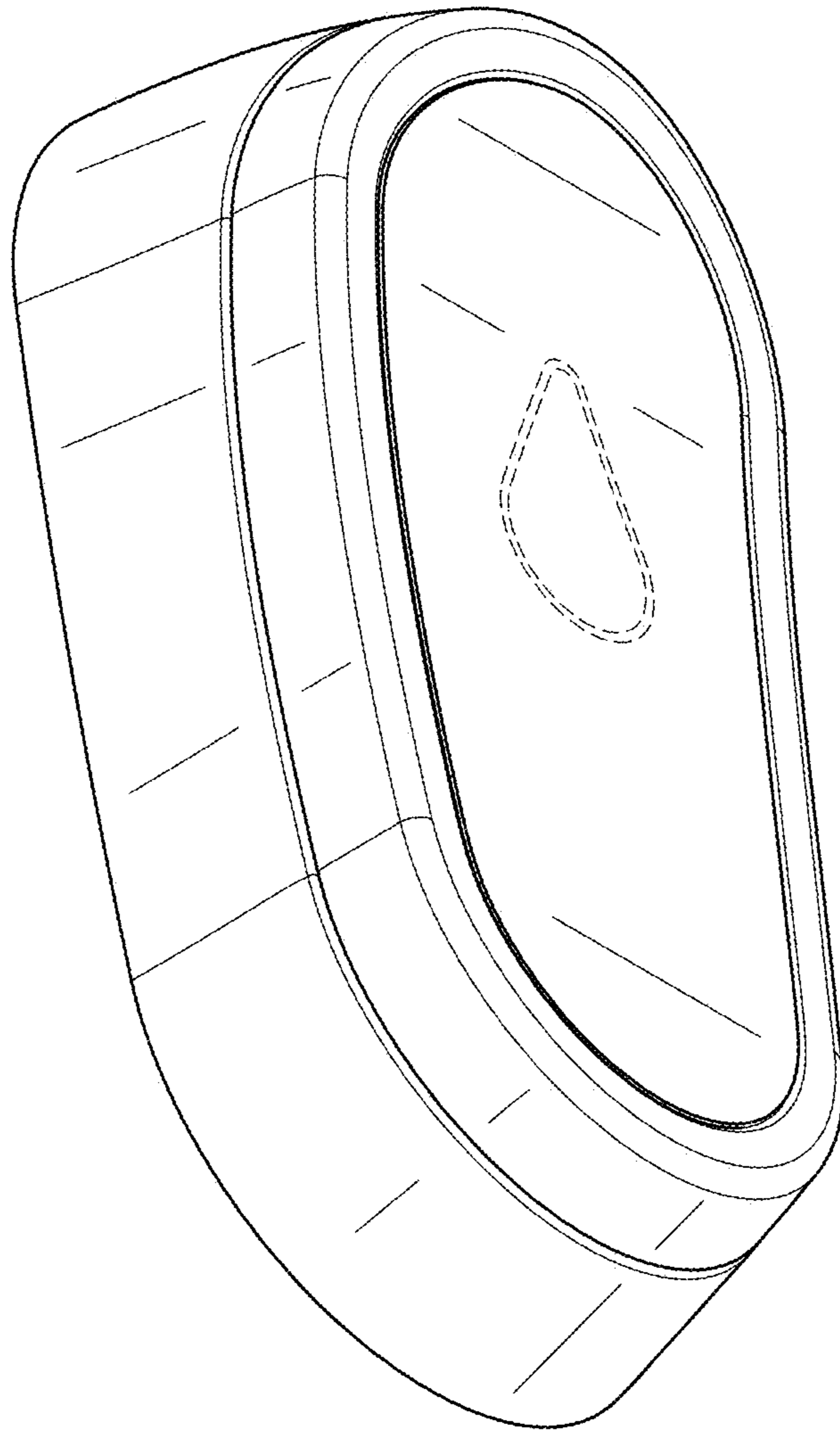


FIG. 17