

US00D887638S

(12) **United States Design Patent** (10) **Patent No.:** **US D887,638 S**  
**Zoot et al.** (45) **Date of Patent:** **\*\* Jun. 16, 2020**

(54) **COMB**  
(71) Applicant: **Denroy Group Limited**, Bangor (GB)  
(72) Inventors: **Ivan Zoot**, Chicago, IL (US);  
**Christopher Boomer**, Lisburn (GB)  
(73) Assignee: **Denroy Group Limited**, Bangor (GB)  
(\*\*) Term: **15 Years**  
(21) Appl. No.: **29/647,092**  
(22) Filed: **May 9, 2018**

(51) **LOC (12) Cl.** ..... **28-03**  
(52) **U.S. Cl.**  
USPC ..... **D28/30**  
(58) **Field of Classification Search**  
USPC ..... D28/13, 19, 21, 22, 23, 24, 25, 27, 28,  
D28/29, 30, 31, 32, 33, 34, 44, 45, 49,  
D28/50, 51, 52, 53, 54, 63, 74  
CPC ..... A45D 24/00; A45D 24/02; A45D 24/04;  
A45D 24/06; A45D 24/08; A45D 24/10;  
A45D 24/22; A45D 24/30; A45D 24/32;  
A45D 24/34; A45D 24/36; A45D 24/38;  
A45D 24/40; A45D 24/42; A45D 24/44;  
A45D 2024/002; A45D 2024/005; A45D  
8/00; A45D 8/02; A45D 8/04; A45D  
8/06; A45D 8/12; A45D 8/20; A45D  
8/22; A45D 8/24; A45D 8/28; A45D  
8/30; A45D 8/32  
See application file for complete search history.

(56) **References Cited**  
U.S. PATENT DOCUMENTS  
3,638,665 A \* 2/1972 Staffas, Sr. .... A45D 24/36  
132/129  
D311,069 S \* 10/1990 Furco ..... A45D 24/02  
D28/28

D369,435 S \* 4/1996 Bozak ..... D28/30  
D381,117 S \* 7/1997 Cheung ..... D28/25  
D428,669 S \* 7/2000 Lucero ..... D28/25  
D472,016 S \* 3/2003 Kim ..... D28/25  
D601,751 S \* 10/2009 Day ..... D28/21  
D643,575 S \* 8/2011 Peverini ..... D28/30  
D792,710 S \* 7/2017 McDuffie ..... D28/25  
D794,249 S \* 8/2017 Hou ..... D28/24  
D820,518 S \* 6/2018 Tanaka ..... D28/29  
D821,030 S \* 6/2018 Paul ..... D28/25  
D823,003 S \* 7/2018 Lafortune ..... D4/117  
D845,542 S \* 4/2019 Granito ..... D28/25  
D850,719 S \* 6/2019 Torres ..... D28/25  
2009/0032043 A1 \* 2/2009 Gaugler ..... A45D 24/10  
132/148

\* cited by examiner

*Primary Examiner* — Michelle E. Wilson  
*Assistant Examiner* — Messina L Smith  
(74) *Attorney, Agent, or Firm* — Caseiro Burke LLC;  
Chris A. Caseiro

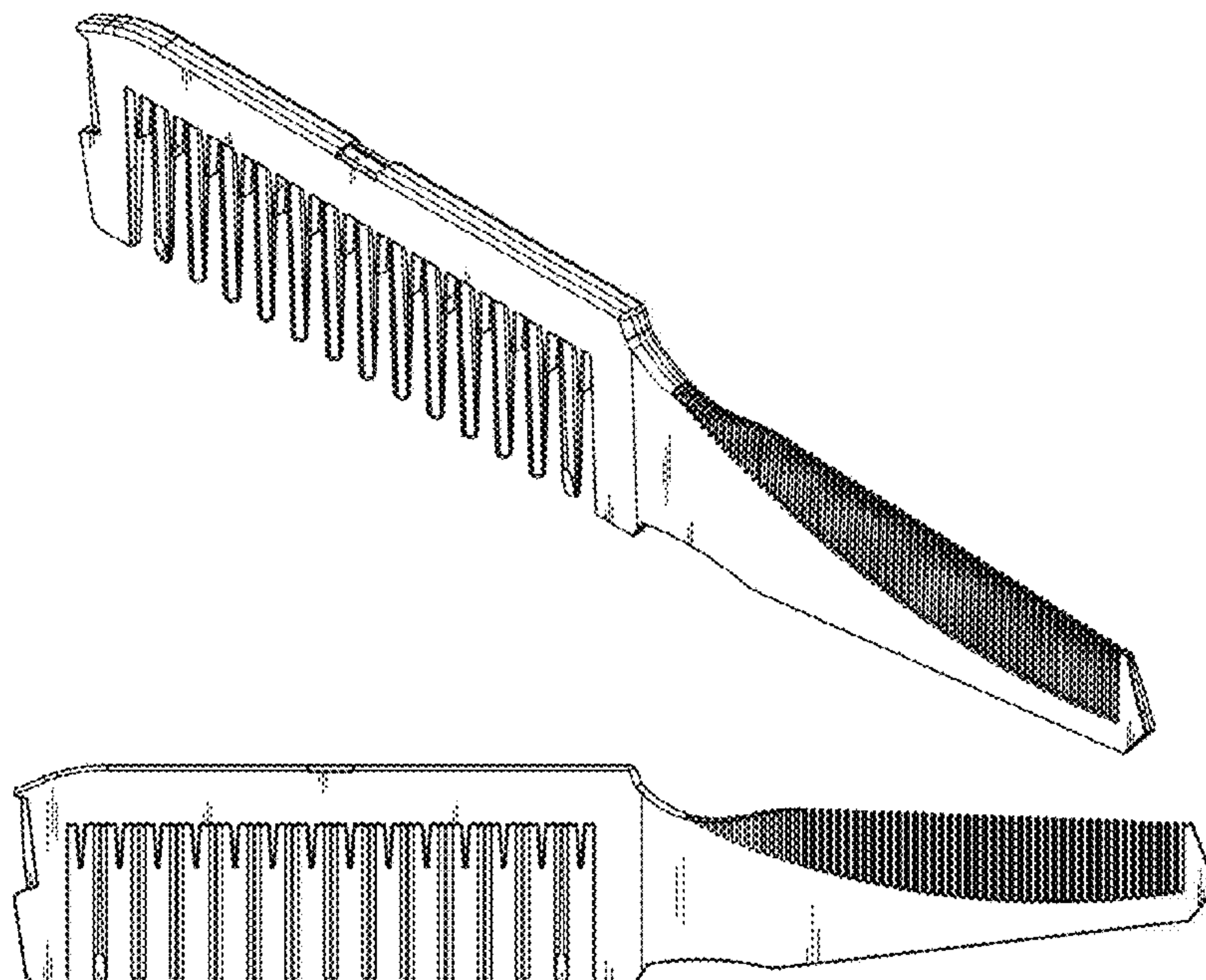
(57) **CLAIM**

The ornamental design for a comb, as shown and described.

**DESCRIPTION**

FIG. 1 is a perspective view of a comb showing our new design;  
FIG. 2 is another perspective view thereof;  
FIG. 3 is a front view thereof;  
FIG. 4 is a top view thereof;  
FIG. 5 is a bottom view thereof;  
FIG. 6 is a right side view thereof; and,  
FIG. 7 is a left side view thereof.

**1 Claim, 7 Drawing Sheets**



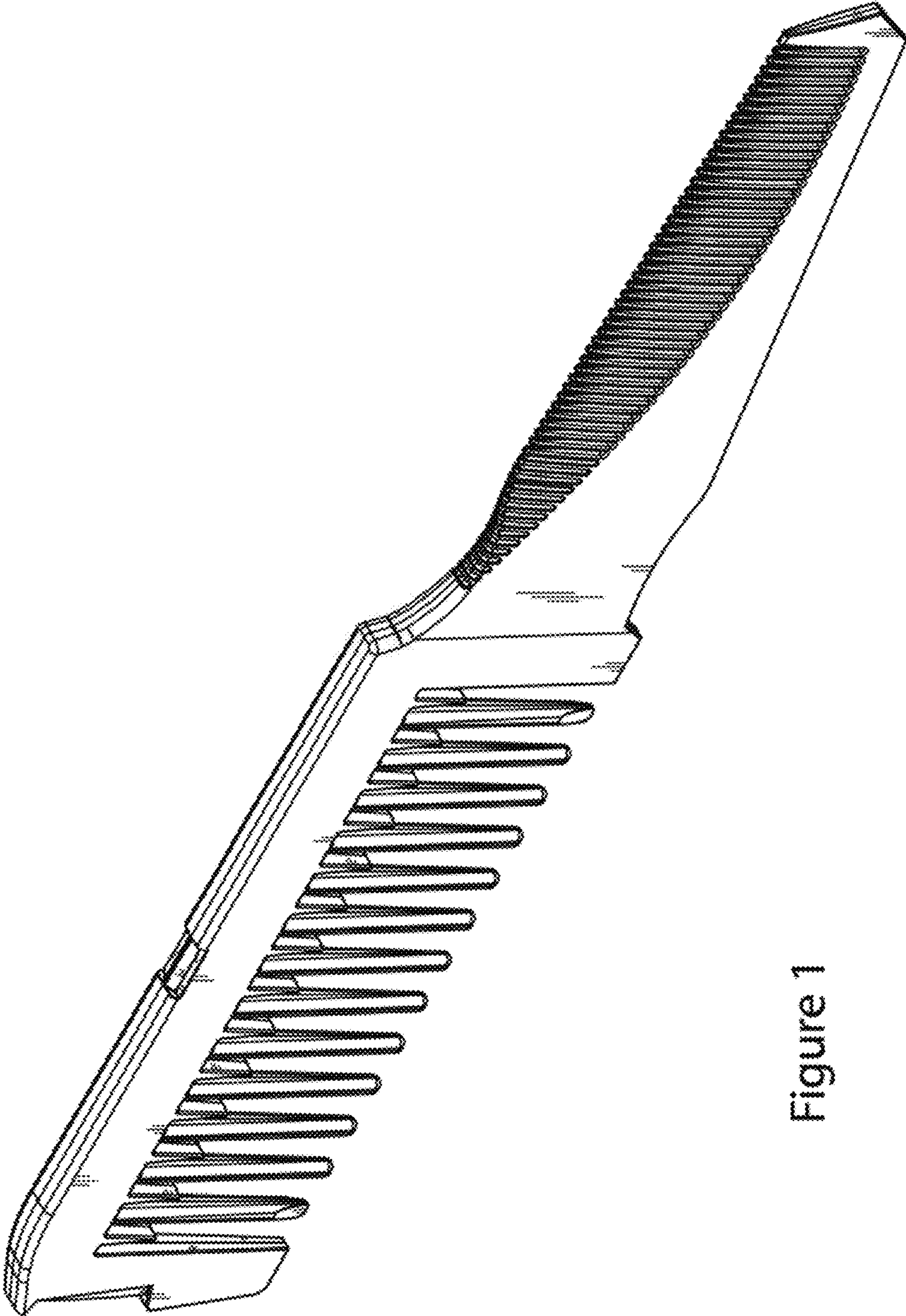


Figure 1



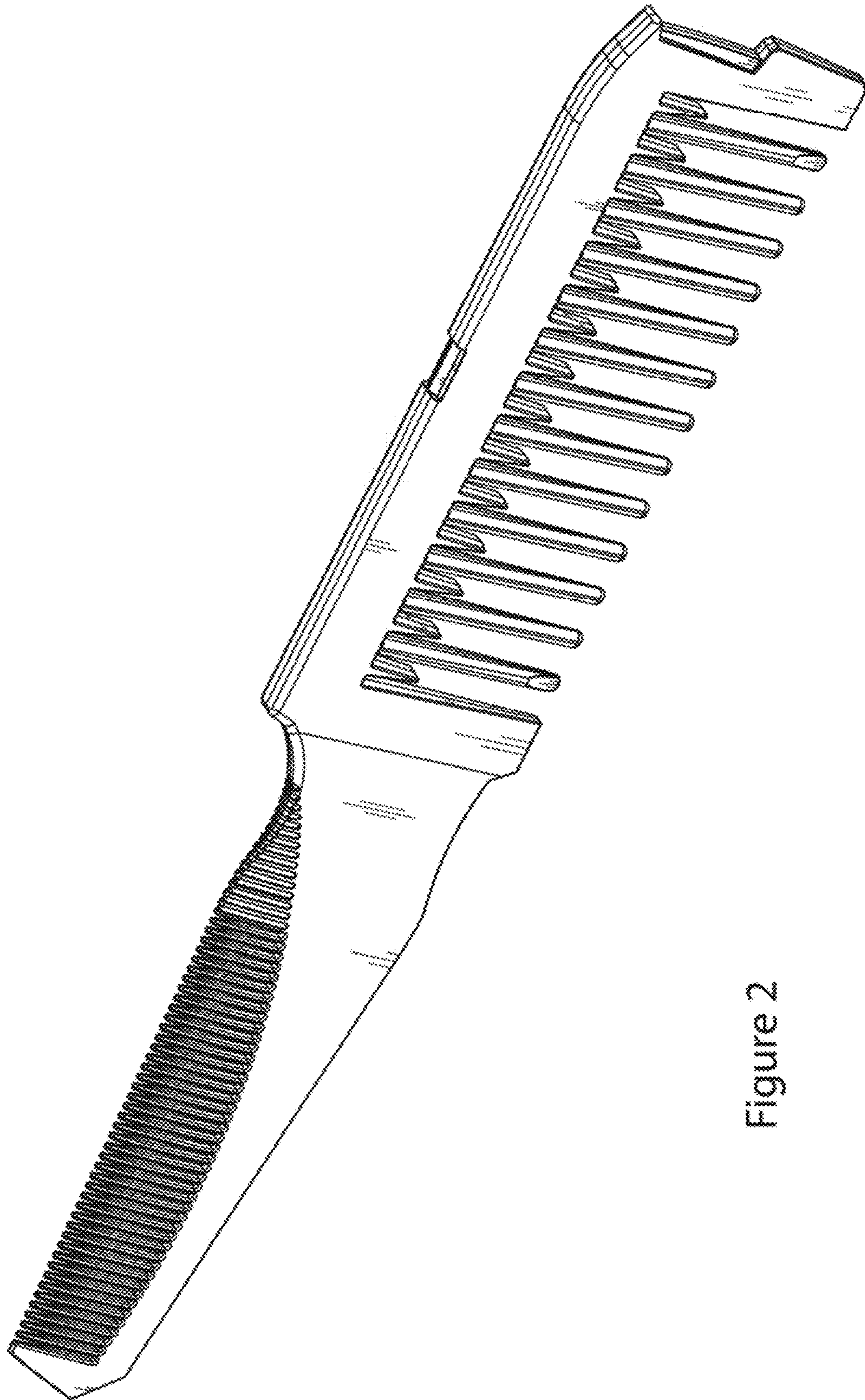


Figure 2

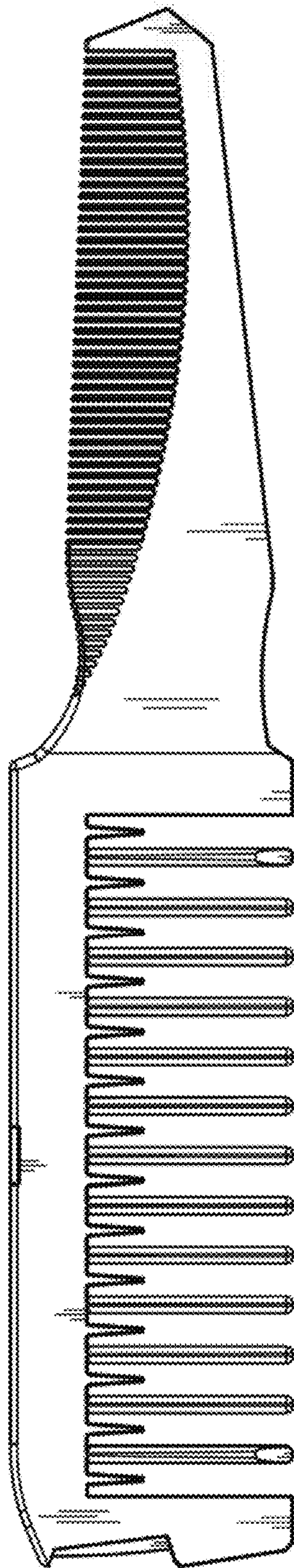


Figure 3



Figure 4



Figure 5

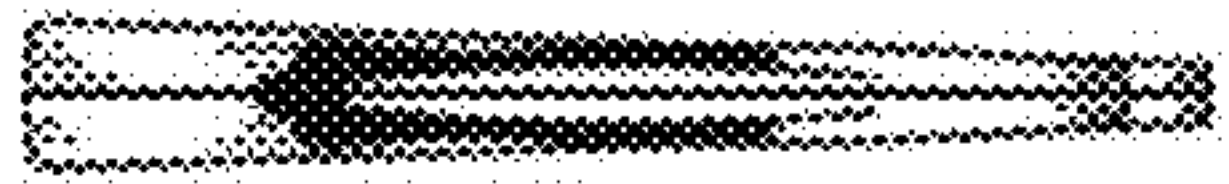


Figure 6

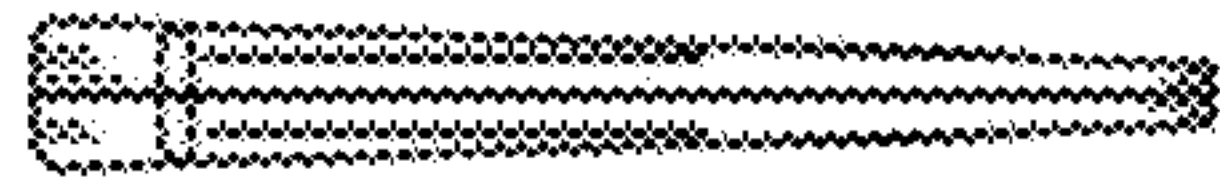


Figure 7