



US00D887636S

(12) **United States Design Patent**
Zoot et al.

(10) **Patent No.:** **US D887,636 S**
(45) **Date of Patent:** **** *Jun. 16, 2020**

- (54) **COMB WITH AN ATTACHMENT**
- (71) Applicant: **Denroy Group Limited**, Bangor (GB)
- (72) Inventors: **Ivan Zoot**, Chicago, IL (US);
Christopher Boomer, Lisburn (GB)
- (73) Assignee: **Denroy Group Limited**, Bangor (GB)
- (*) Notice: This patent is subject to a terminal disclaimer.

(**) Term: **15 Years**

(21) Appl. No.: **29/647,072**

(22) Filed: **May 9, 2018**

(51) **LOC (12) Cl.** **28-03**

(52) **U.S. Cl.**
USPC **D28/21; D28/25**

(58) **Field of Classification Search**
USPC D28/13, 19, 21, 22, 23, 24, 25, 27, 28,
D28/29, 30, 31, 32, 33, 34, 44, 45, 49,
D28/50, 51, 52, 53, 54, 63, 74; D4/101,
D4/102, 105, 106, 109, 110, 111, 112,
D4/117, 128, 130, 131, 132, 133, 134, 13,
D4/136, 138

CPC A46B 2200/01; A46B 2200/1046; A46B
2200/104; A46B 2200/1066; A46B
2200/20; A46B 2200/30; A46B 2200/10;
A46B 2200/1026; A46B 2200/1033;
A46B 1/00; A46B 3/00; A46B 5/00;
A46B 7/00; A46B 9/00; A46B 11/00;
A46B 13/00; A46B 15/00; A46B 17/00

See application file for complete search history.

(56) **References Cited**

U.S. PATENT DOCUMENTS

- 3,638,665 A * 2/1972 Staffas, Sr. A45D 24/36
132/129
- D369,435 S * 4/1996 Bozak D28/30

- D428,669 S * 7/2000 Lucero D28/25
- D472,016 S * 3/2003 Kim D28/25
- D565,793 S * 4/2008 Wallace D28/54
- D601,751 S * 10/2009 Day D28/21
- D643,575 S * 8/2011 Peverini D28/30
- D791,410 S * 7/2017 Whittaker D28/54
- D794,249 S * 8/2017 Hou D28/24
- D821,030 S * 6/2018 Paul D28/25
- D823,003 S * 7/2018 Lafortune D4/117
- D845,542 S * 4/2019 Granito D28/25
- D850,719 S * 6/2019 Torres D28/25
- 2009/0032043 A1* 2/2009 Gaugler A45D 24/10
132/148

* cited by examiner

Primary Examiner — Michelle E. Wilson

Assistant Examiner — Messina L Smith

(74) *Attorney, Agent, or Firm* — Caseiro Burke LLC;
Chris A. Caseiro

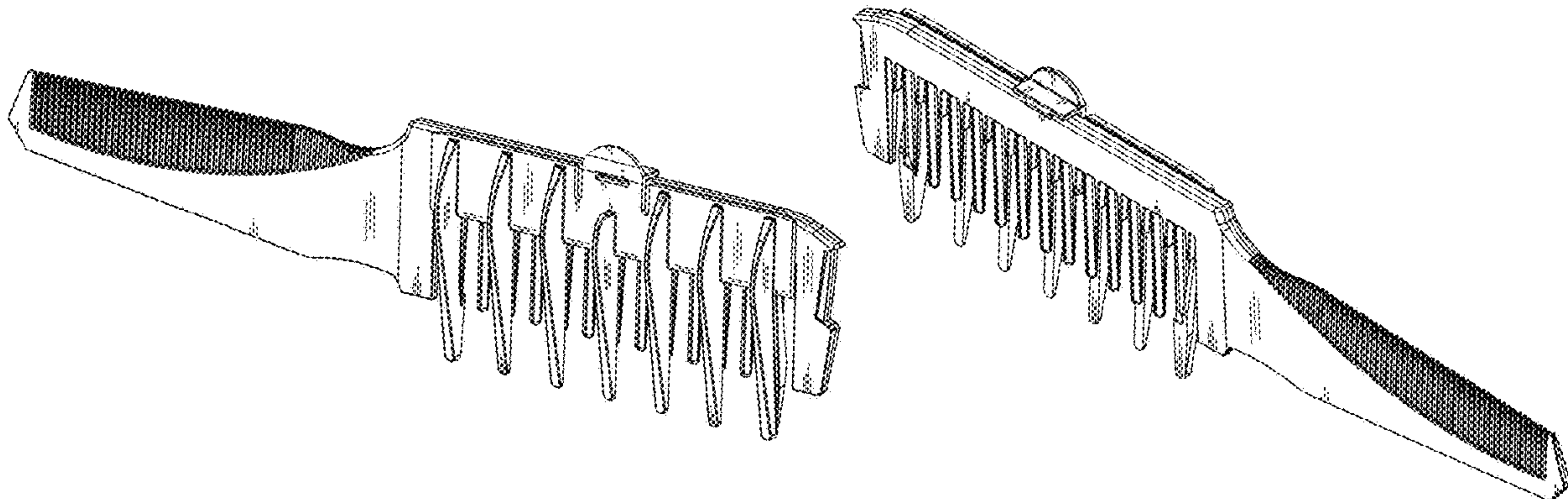
(57) **CLAIM**

The ornamental design for a comb with an attachment, as shown and described.

DESCRIPTION

FIG. 1 is a perspective view of a comb with an attachment showing our new design;
 FIG. 2 is another perspective view thereof;
 FIG. 3 is a front view thereof;
 FIG. 4 is a back view thereof;
 FIG. 5 is a top view thereof;
 FIG. 6 is a bottom view thereof;
 FIG. 7 is a left side view thereof; and,
 FIG. 8 is a right side view thereof.

1 Claim, 8 Drawing Sheets



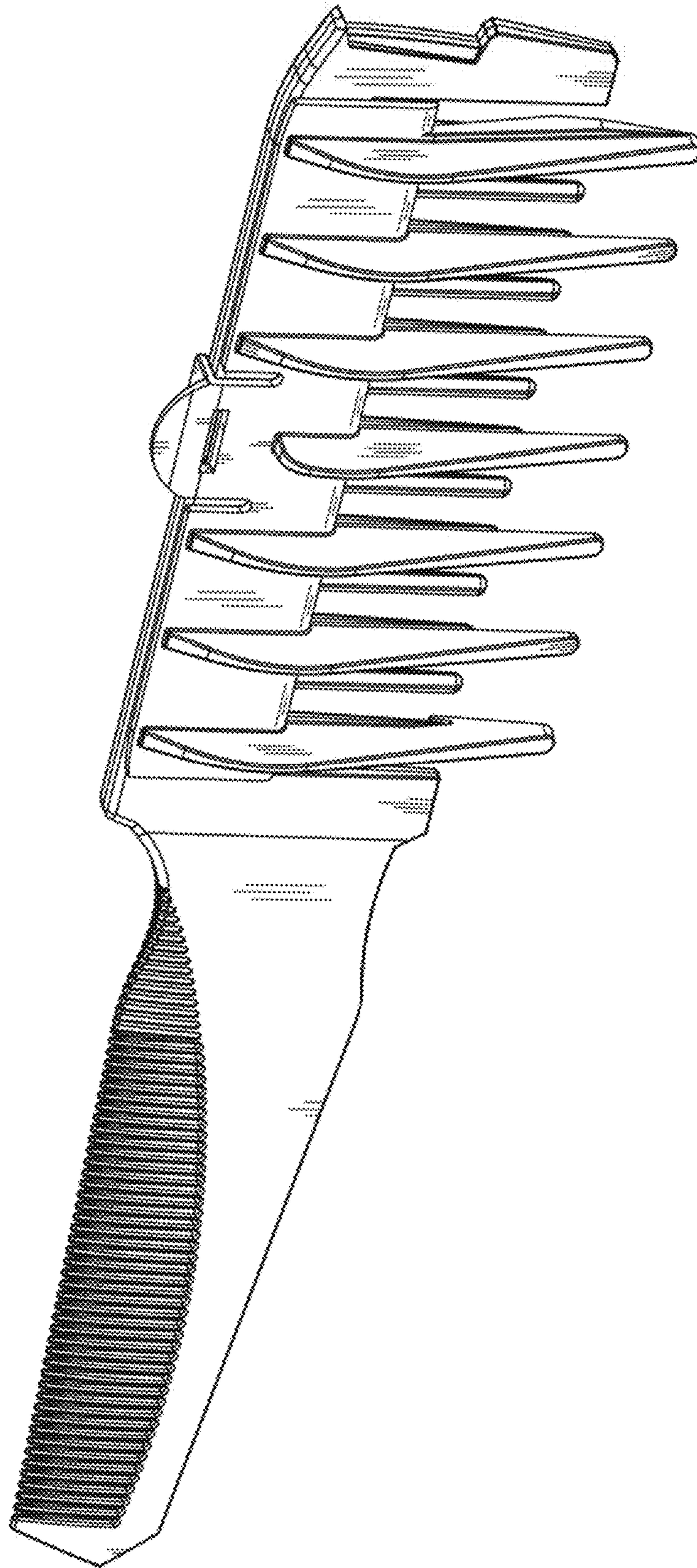


Figure 1

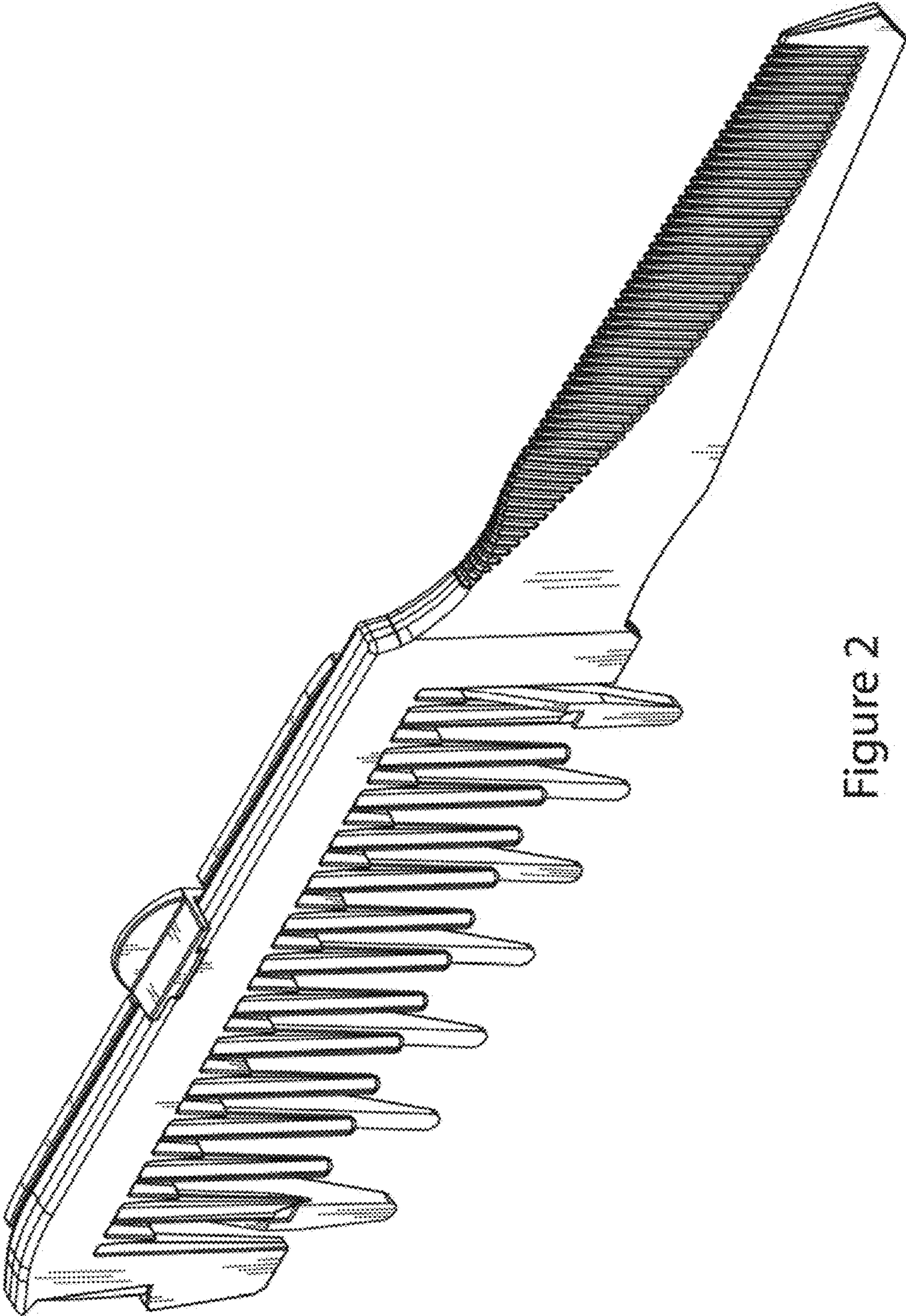


Figure 2

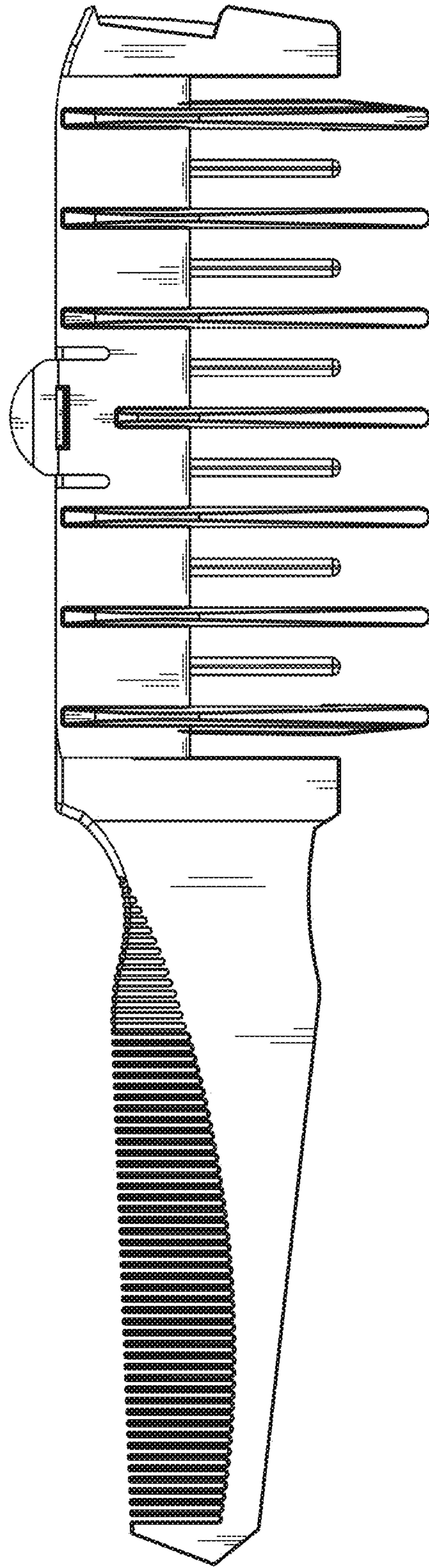


Figure 3

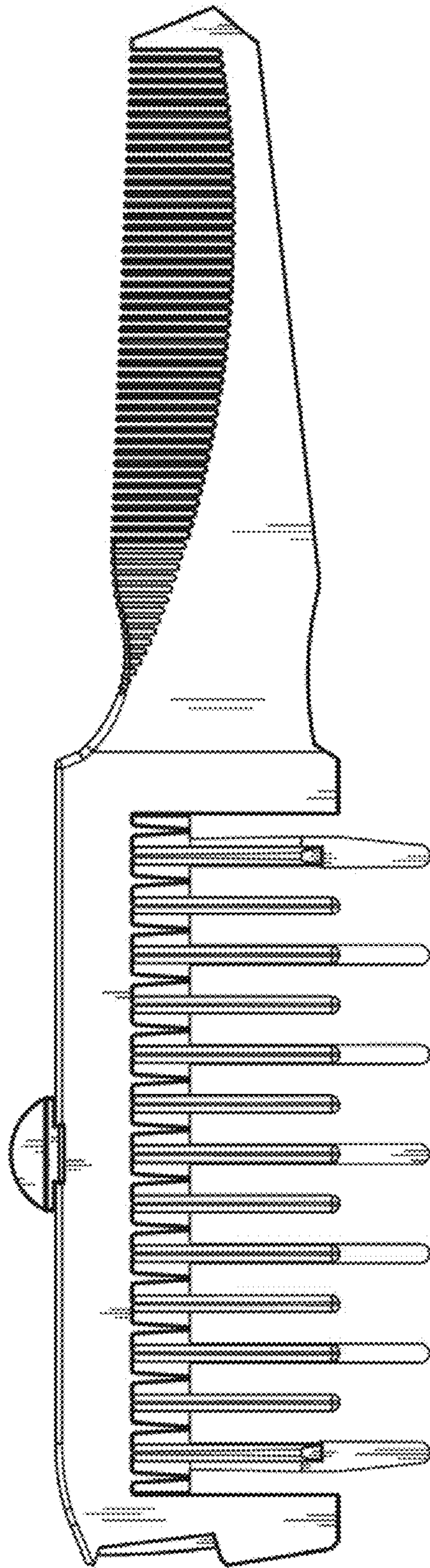


Figure 4

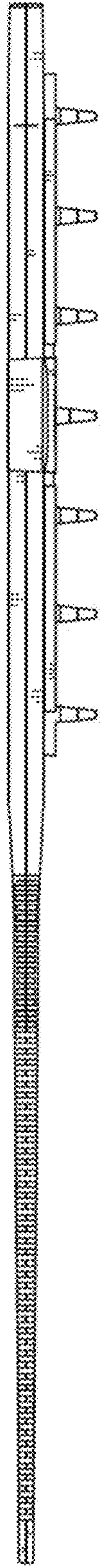


Figure 5

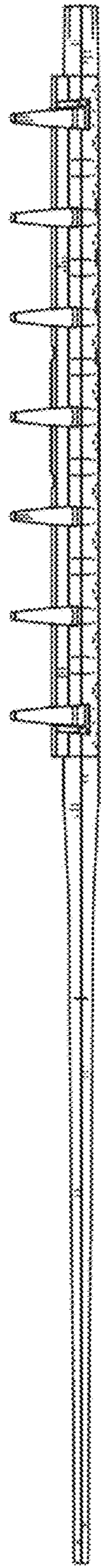


Figure 6

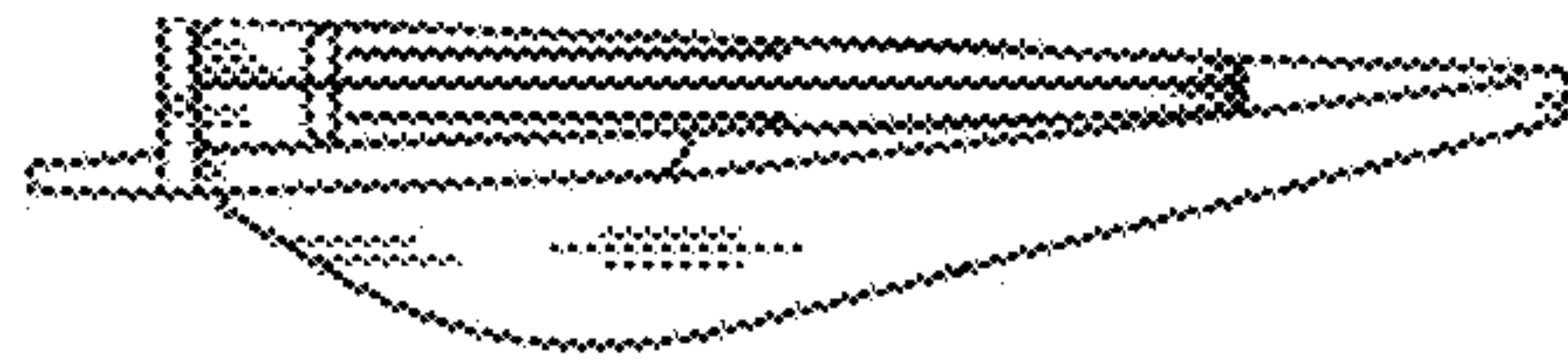


Figure 7

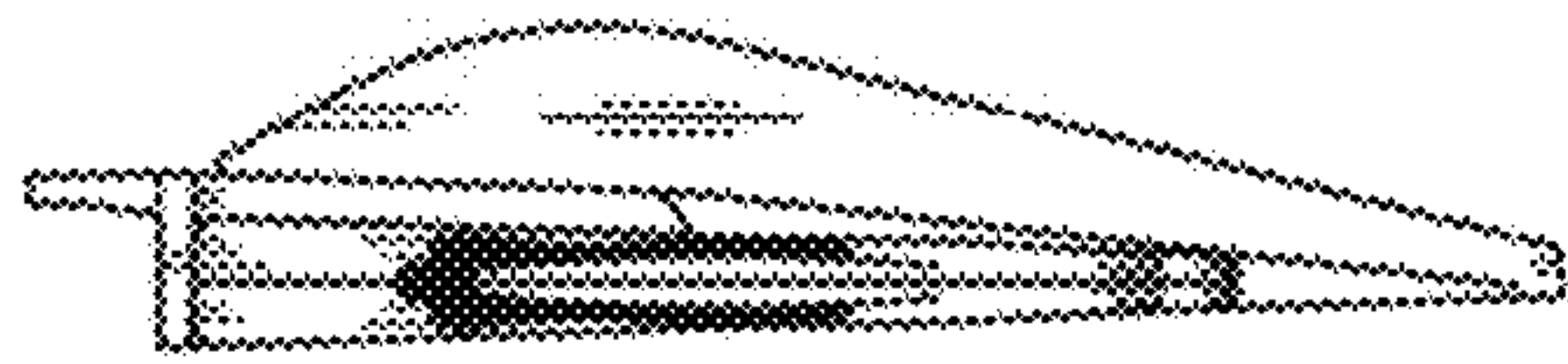


Figure 8