



US00D887624S

(12) **United States Design Patent**
Debelak et al.

(10) **Patent No.:** **US D887,624 S**
(45) **Date of Patent:** **** Jun. 16, 2020**

(54) **CAMERA HANDLE FOR A SURGICAL LIGHTHEAD**

D421,148 S * 2/2000 Borders D26/113
D430,696 S 9/2000 Borders
D441,490 S 5/2001 Borders

(Continued)

(71) Applicant: **American Sterilizer Company,**
Mentor, OH (US)
(72) Inventors: **Dana M. Debelak,** Lakeline, OH (US);
Damon Thomas Jurkiewicz,
Cleveland, OH (US)

Primary Examiner — Karen E Kearney
Assistant Examiner — Carissa C Fitts
(74) *Attorney, Agent, or Firm* — Kusner & Jaffe

(73) Assignee: **American Sterilizer Company,**
Mentor, OH (US)

(57) **CLAIM**

The ornamental design for a camera handle for a surgical lighthouse, as shown and described.

(**) Term: **15 Years**

DESCRIPTION

(21) Appl. No.: **29/632,422**

(22) Filed: **Jan. 8, 2018**

(51) **LOC (12) Cl.** **26-99**

(52) **U.S. Cl.**
USPC **D26/113; D26/51**

(58) **Field of Classification Search**
USPC D26/113, 51, 63, 65, 67, 68, 52
CPC F21S 8/04; F21S 8/00; F21V 21/00; F21V
17/02; F21V 14/02; F21V 21/30; F21V
21/14; F21V 21/26; F21W 2131/10
See application file for complete search history.

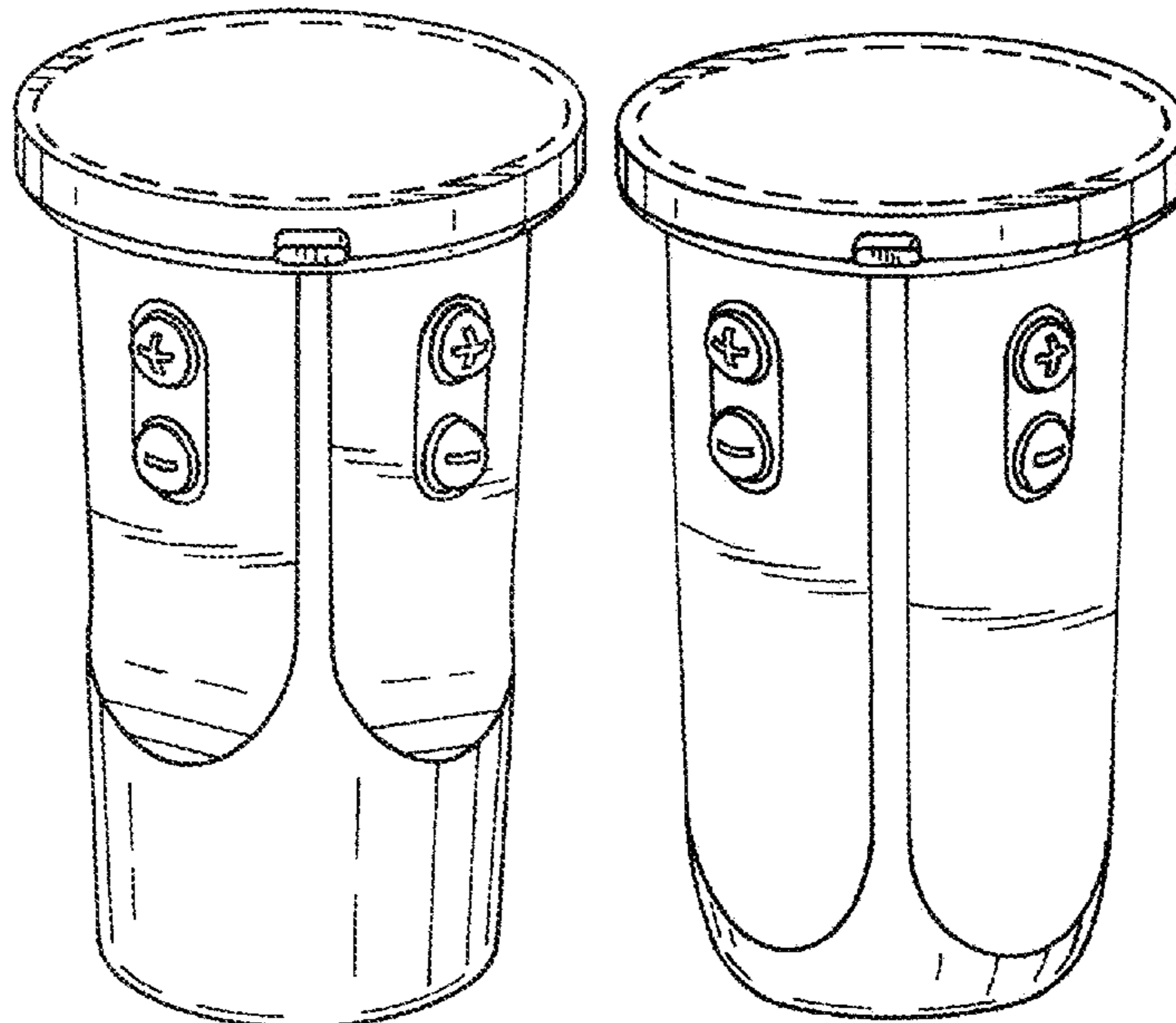
FIG. 1 is a front top perspective view of a camera handle for a surgical lighthouse showing our new design according to a first embodiment;
FIG. 2 is a front bottom perspective view of the first embodiment;
FIG. 3 is a front elevation view of the first embodiment;
FIG. 4 is a left elevation view of the first embodiment;
FIG. 5 is a right elevation view of the first embodiment;
FIG. 6 is a back elevation view of the first embodiment;
FIG. 7 is a top plan view of the first embodiment;
FIG. 8 is a bottom plan view of the first embodiment;
FIG. 9 is a front top perspective view of a camera handle for a surgical lighthouse showing our new design according to a second embodiment;
FIG. 10 is a front bottom perspective view of the second embodiment;
FIG. 11 is a front elevation view of the second embodiment;
FIG. 12 is a left elevation view of the second embodiment;
FIG. 13 is a right elevation view of the second embodiment;
FIG. 14 is a back elevation view of the second embodiment;
FIG. 15 is a top plan view of the second embodiment; and,
FIG. 16 is a bottom plan view of the second embodiment.

(56) **References Cited**

U.S. PATENT DOCUMENTS

D289,206 S 4/1987 Scoville, Jr. et al.
D298,864 S 12/1988 Jefferson
4,878,156 A * 10/1989 Hallings F21V 21/403
362/109
D313,670 S 1/1991 Barron et al.
D315,615 S 3/1991 Goldstein
5,165,786 A * 11/1992 Hubert F21V 15/04
362/272
5,709,465 A * 1/1998 Lanzone F21V 21/406
362/399

1 Claim, 6 Drawing Sheets



(56)

References Cited

U.S. PATENT DOCUMENTS

6,692,141 B2 2/2004 Jesurun et al.
7,757,352 B2 * 7/2010 Halamish A61B 46/10
16/421
8,052,339 B2 * 11/2011 Gharibian A61B 1/00128
396/448
8,789,243 B2 * 7/2014 Denmark B25G 1/10
16/421
D766,496 S * 9/2016 Maerzke D26/118
10,292,785 B2 * 5/2019 Hampe A61B 90/35
10,295,164 B2 * 5/2019 Liang H05B 37/0227
10,439,611 B2 * 10/2019 Alexanderson

* cited by examiner

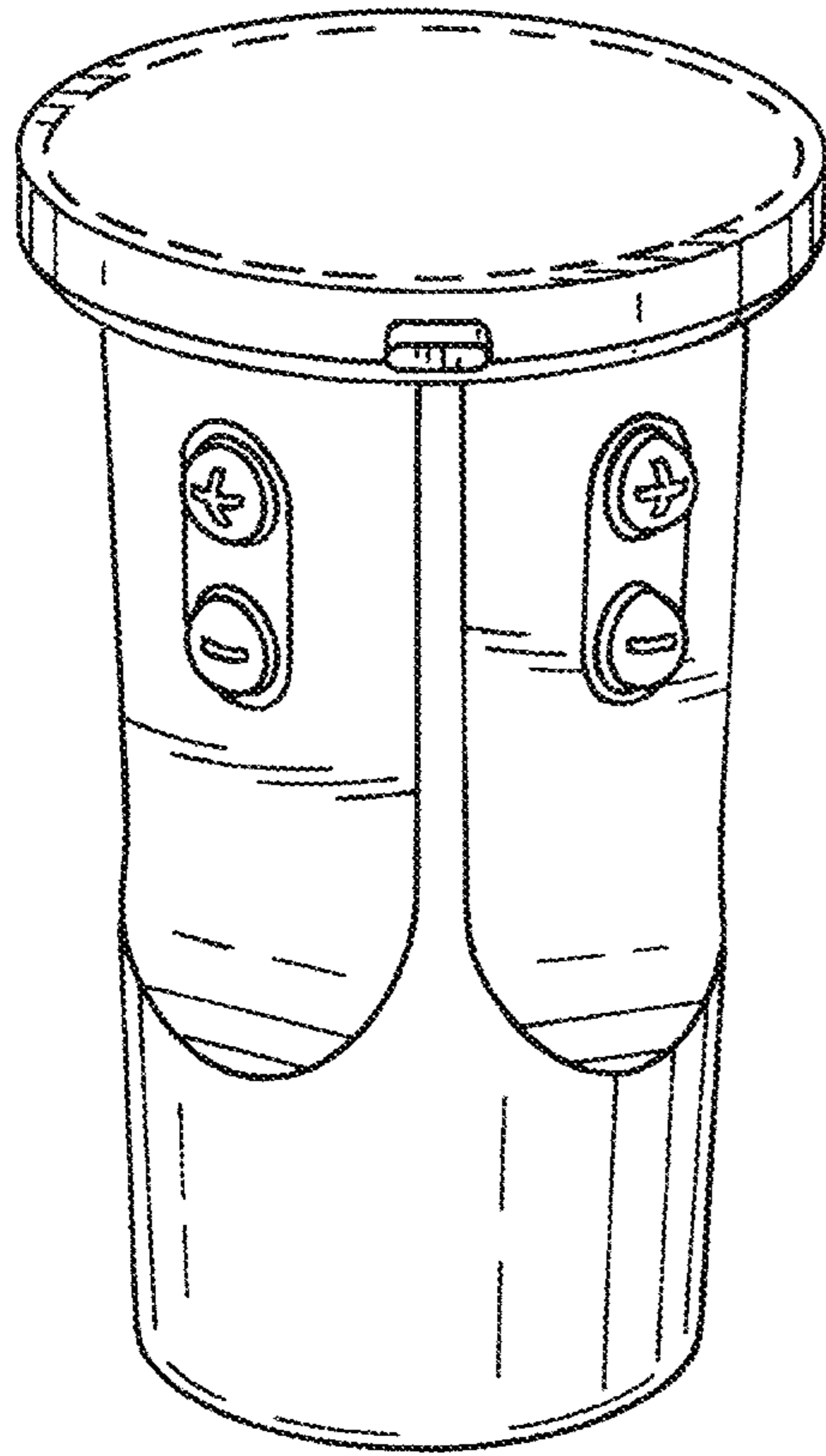


FIG. 1

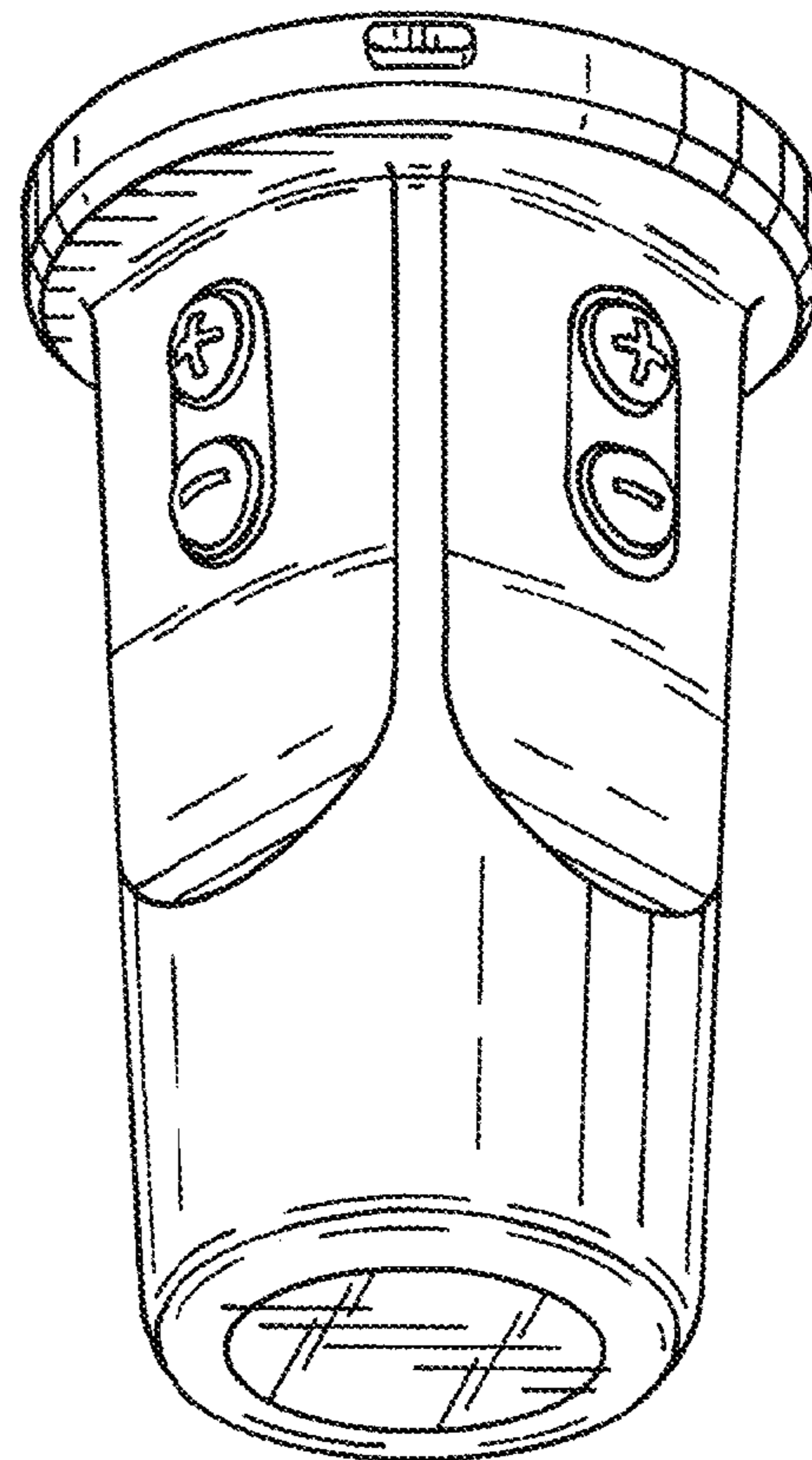


FIG. 2

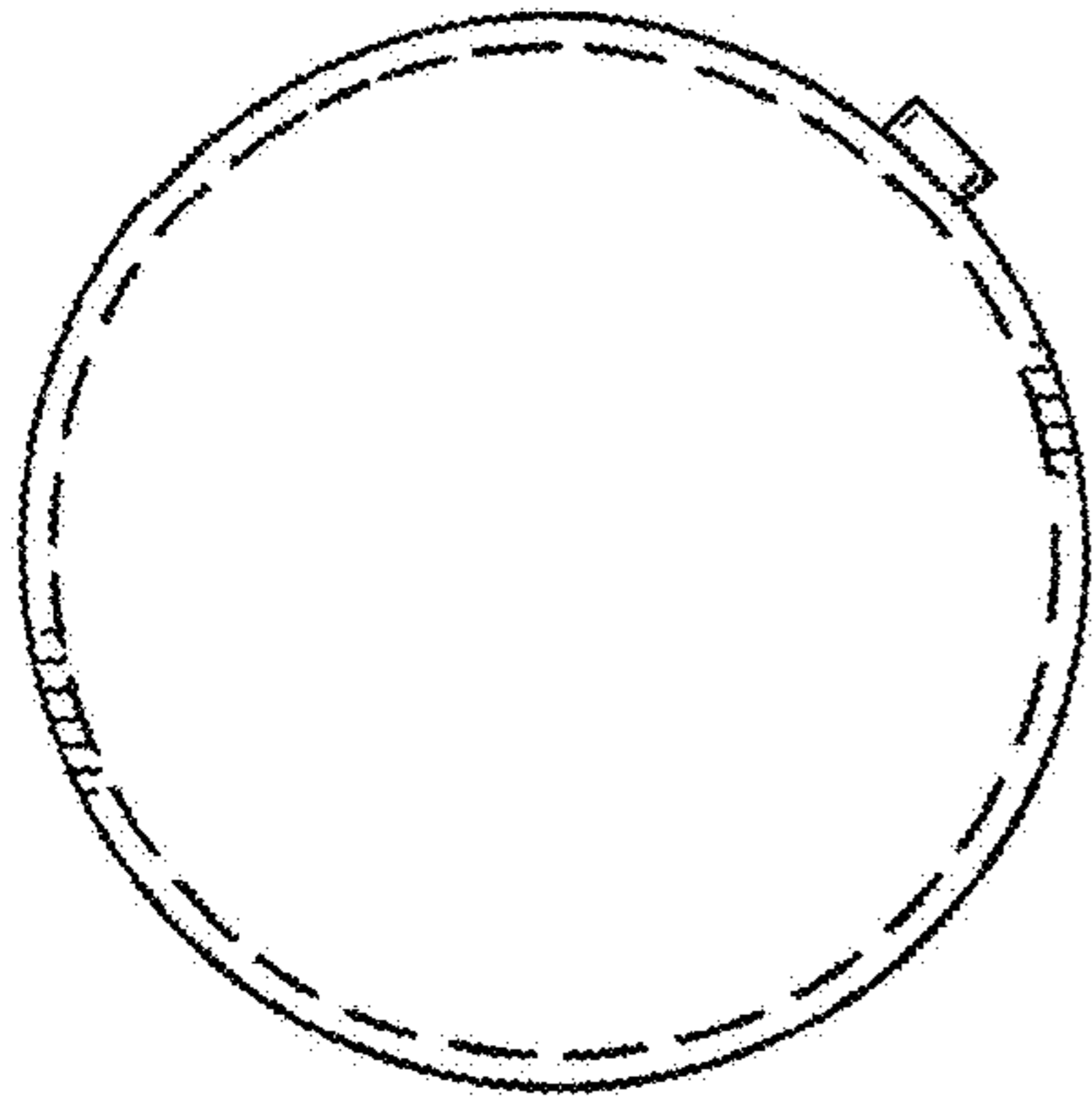


FIG. 7

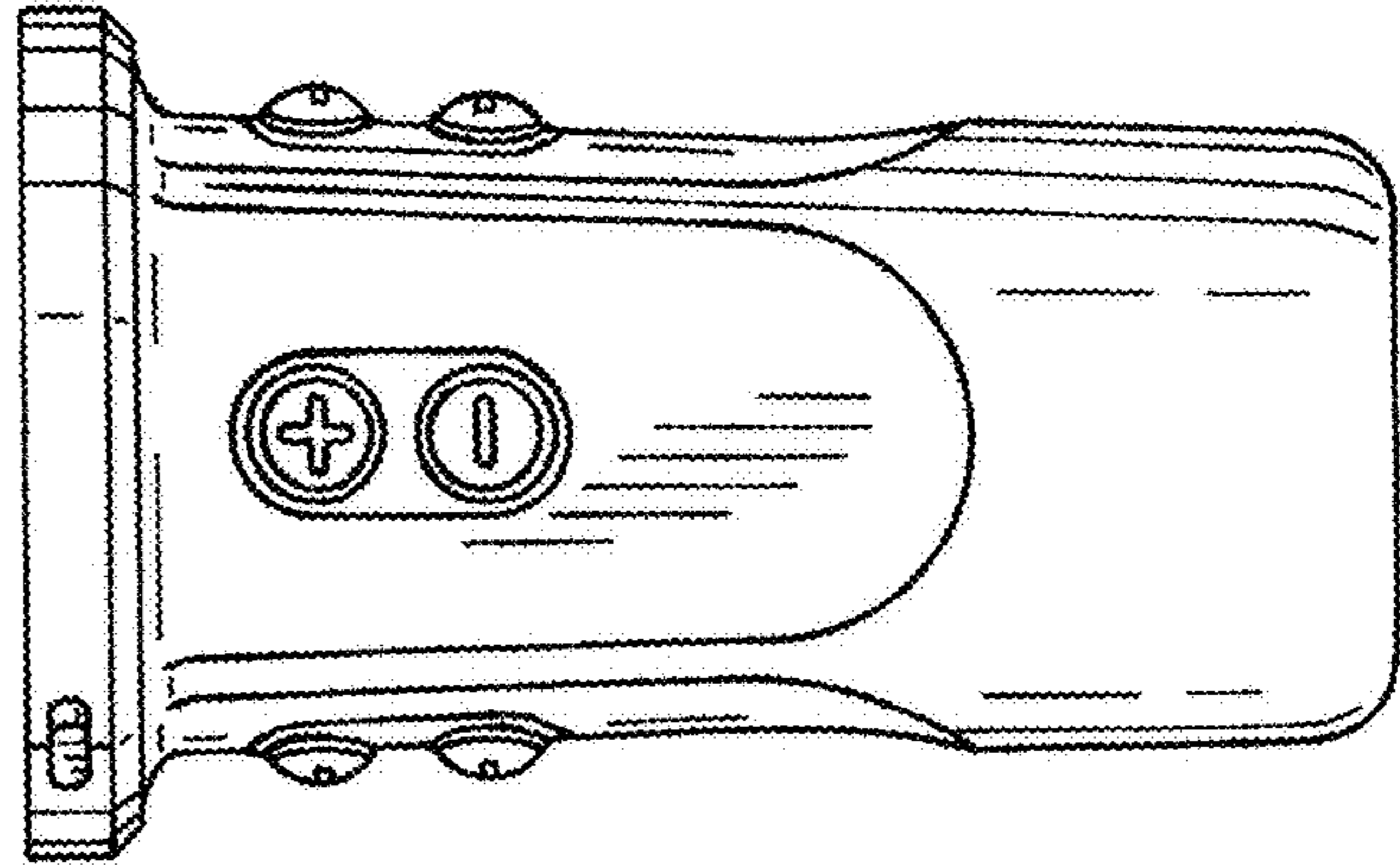


FIG. 5

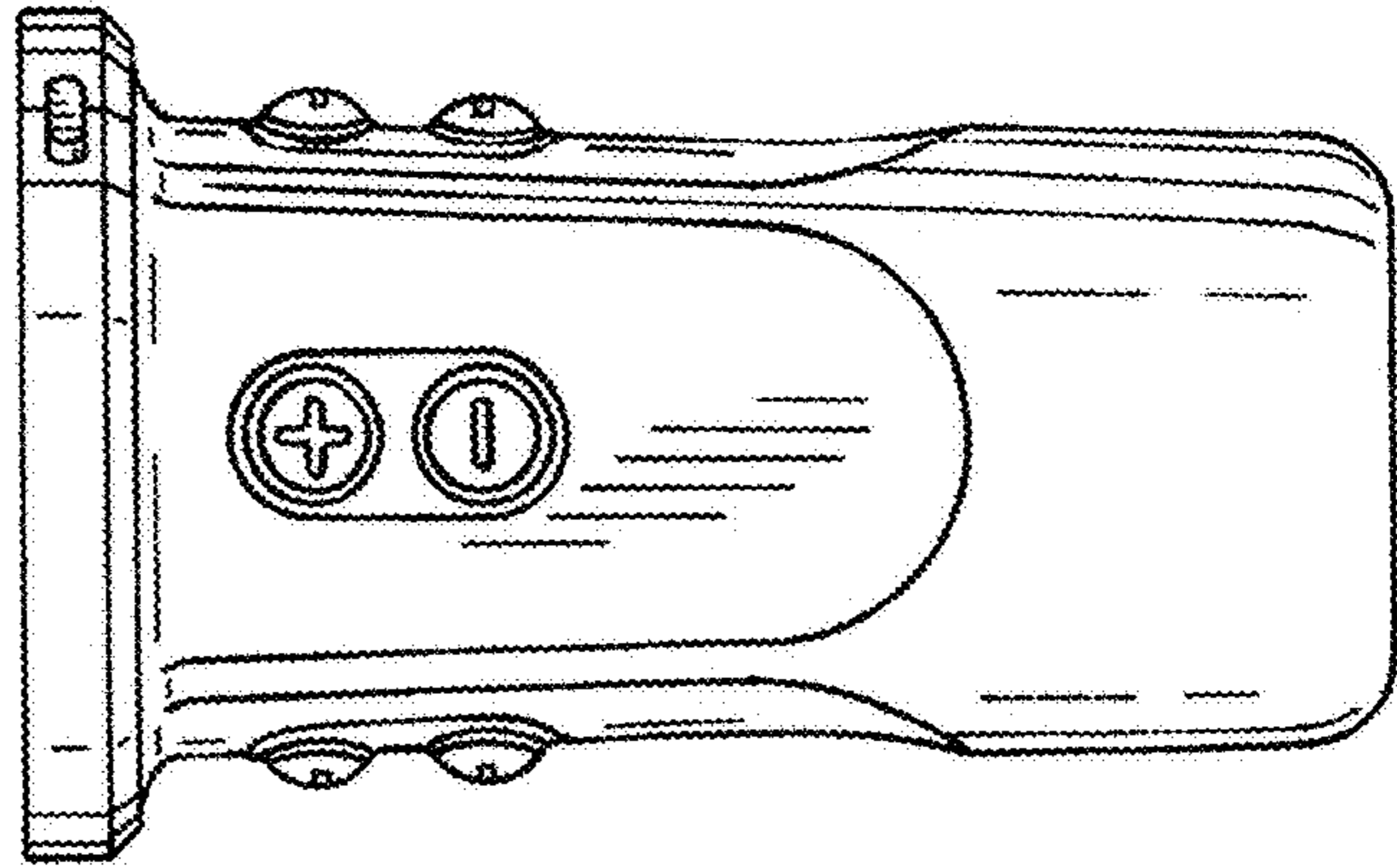


FIG. 3

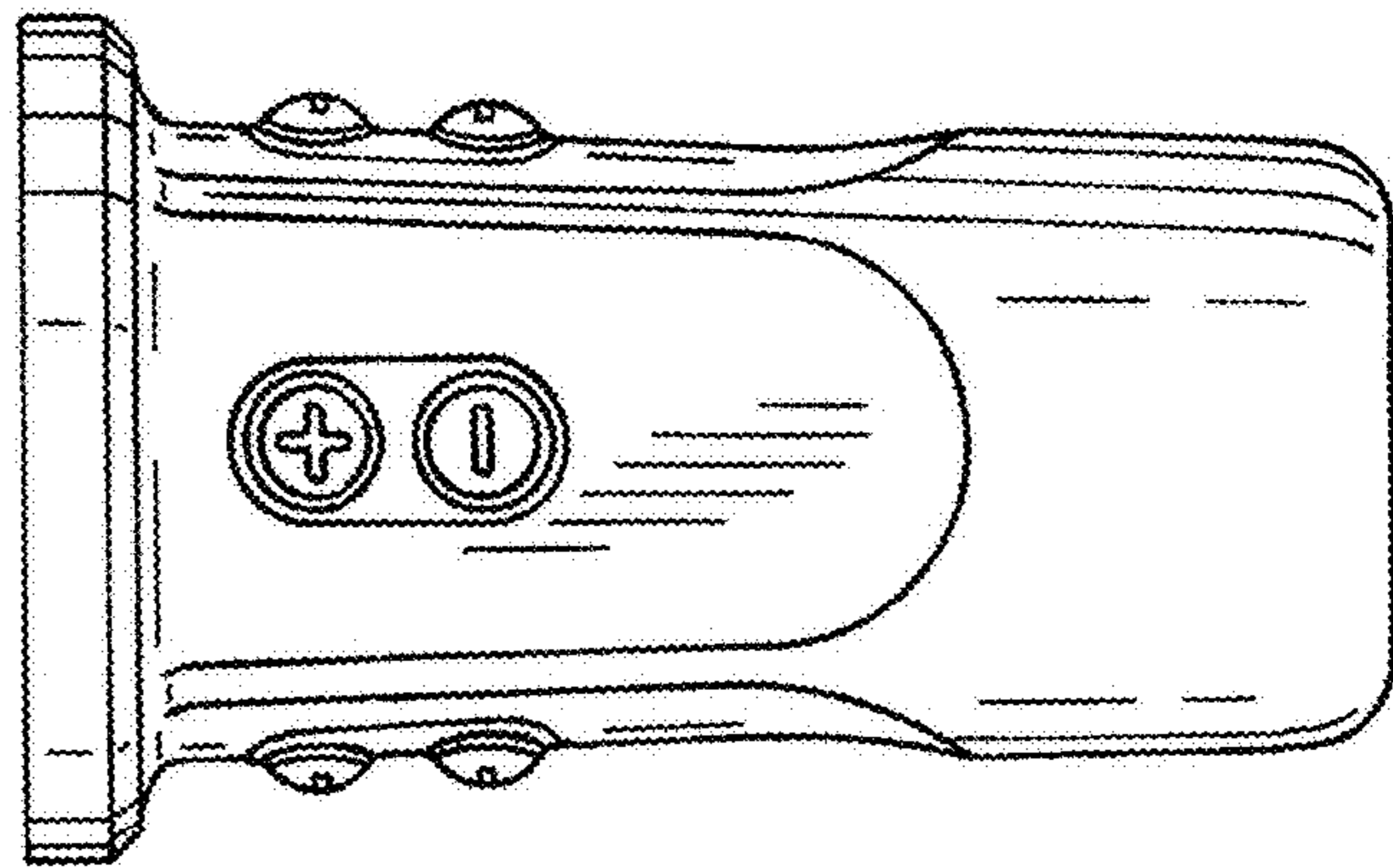


FIG. 4

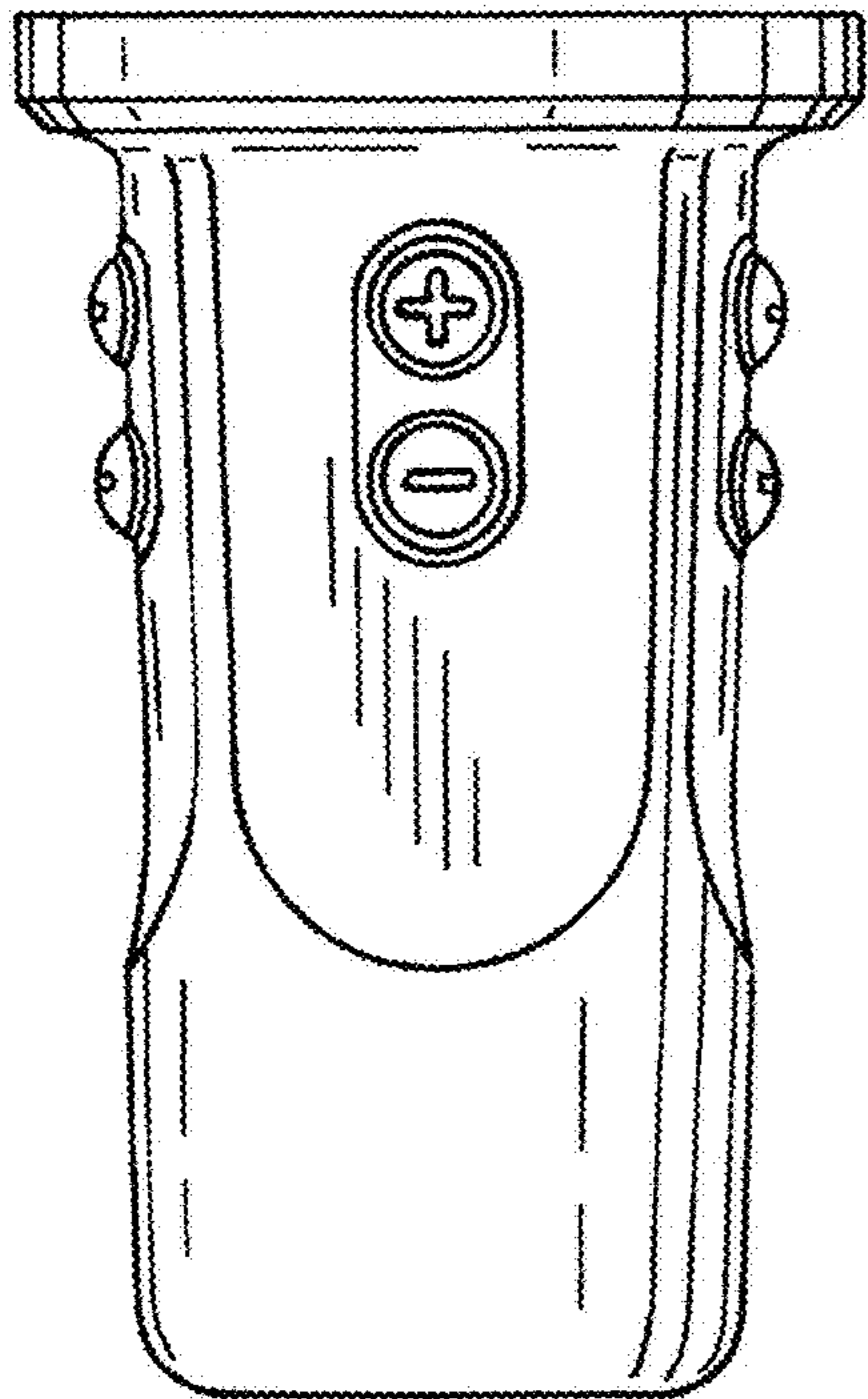


FIG. 6

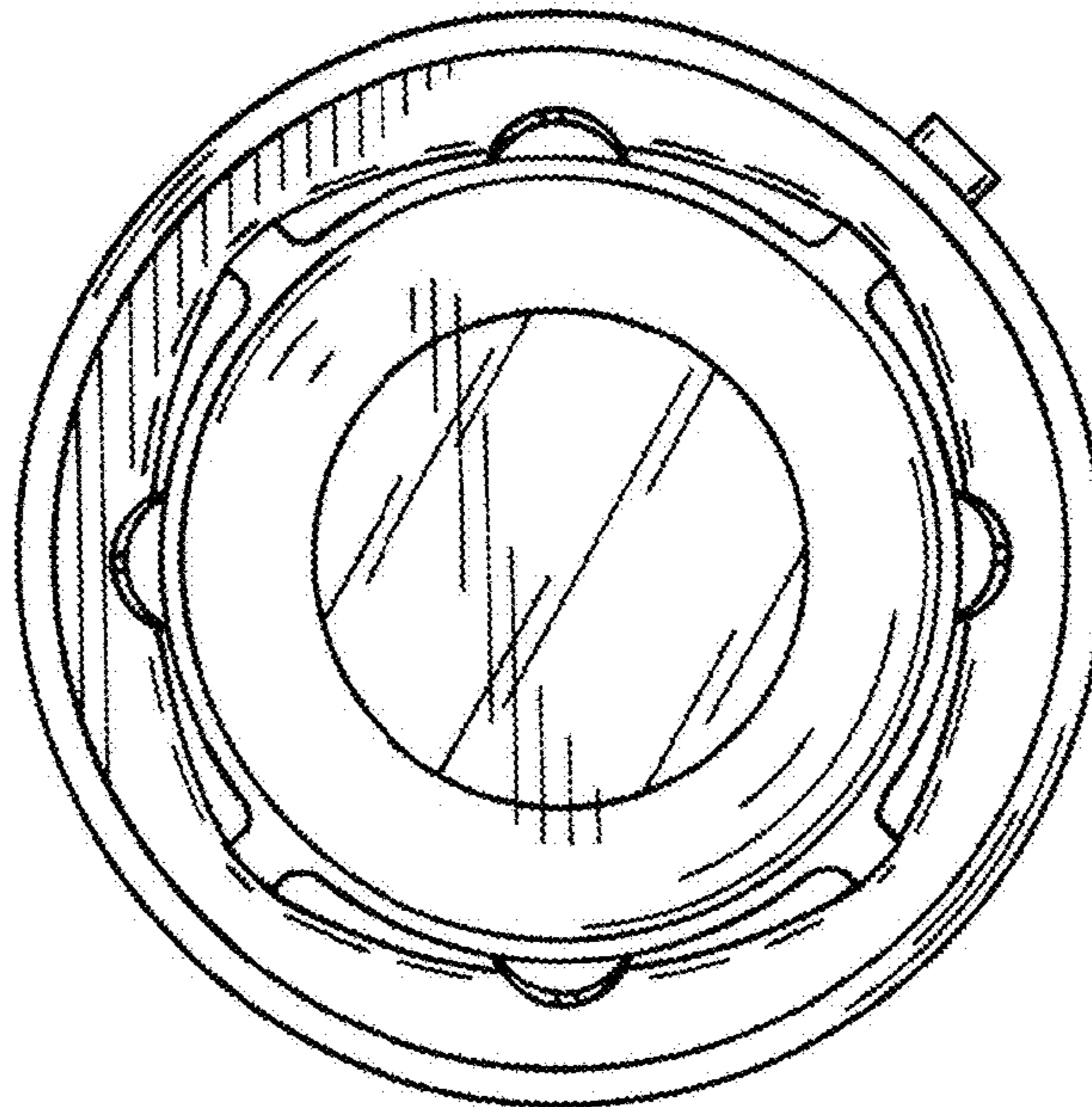


FIG. 8

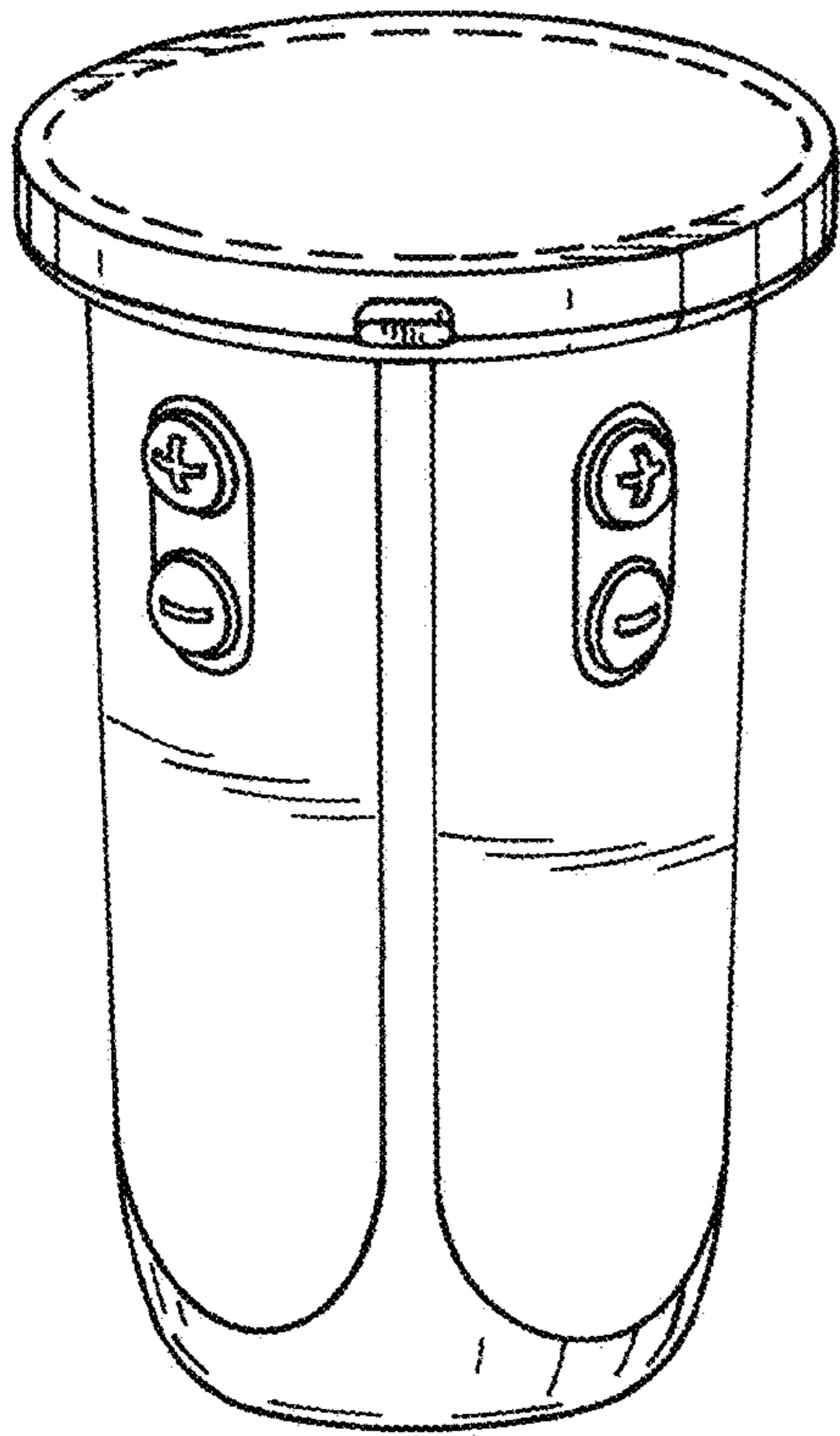


FIG. 9

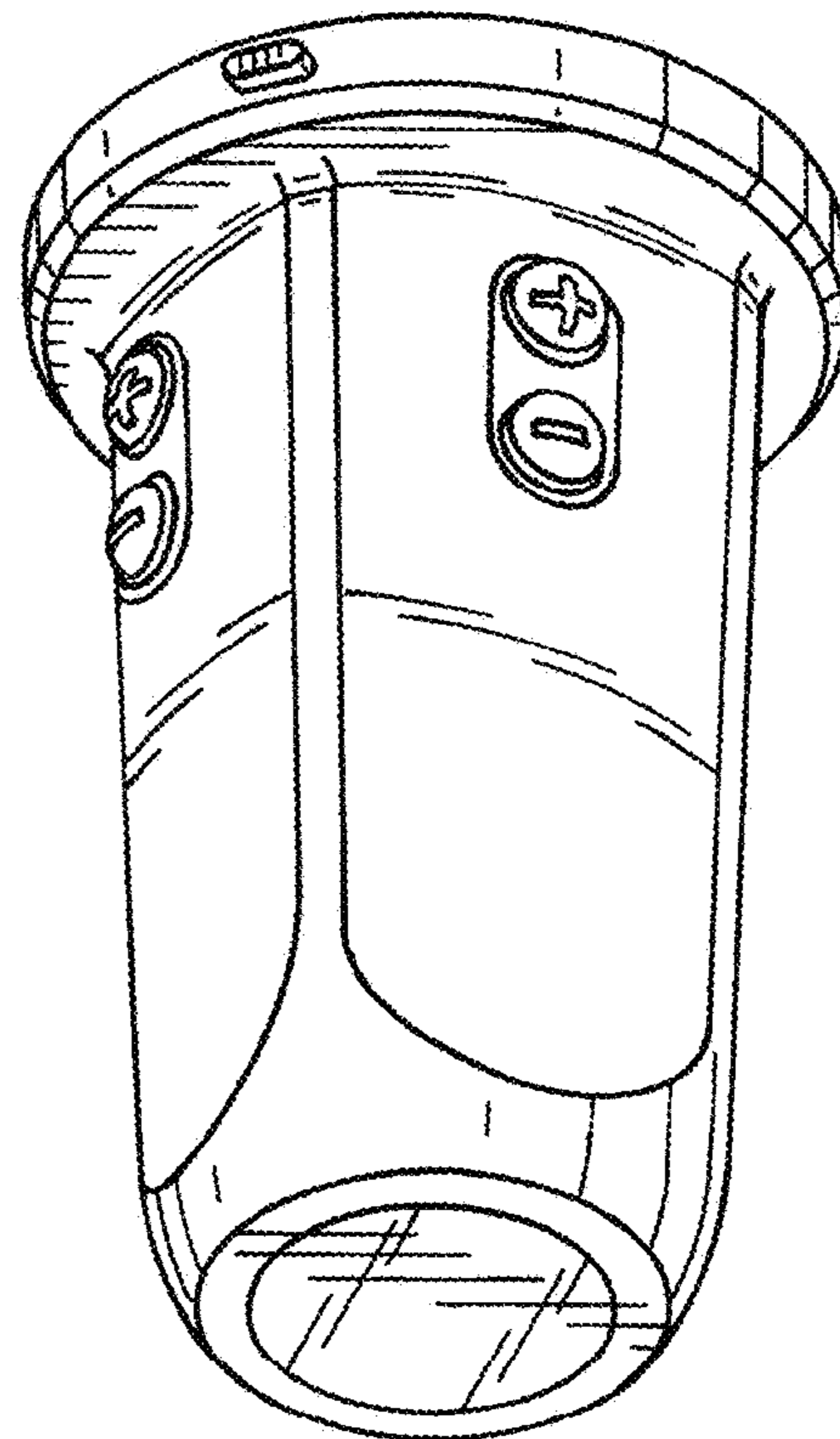


FIG. 10

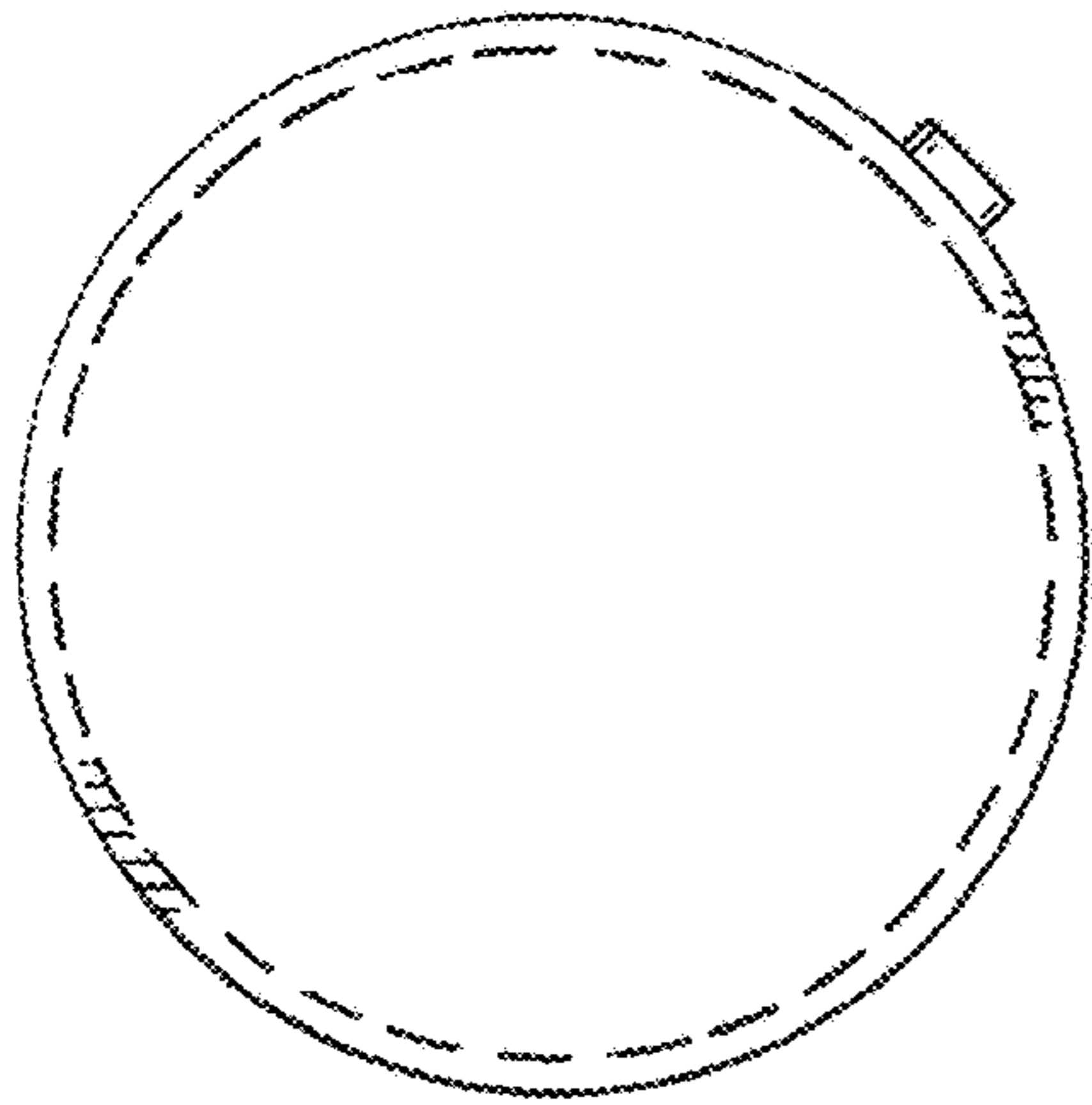


FIG. 15

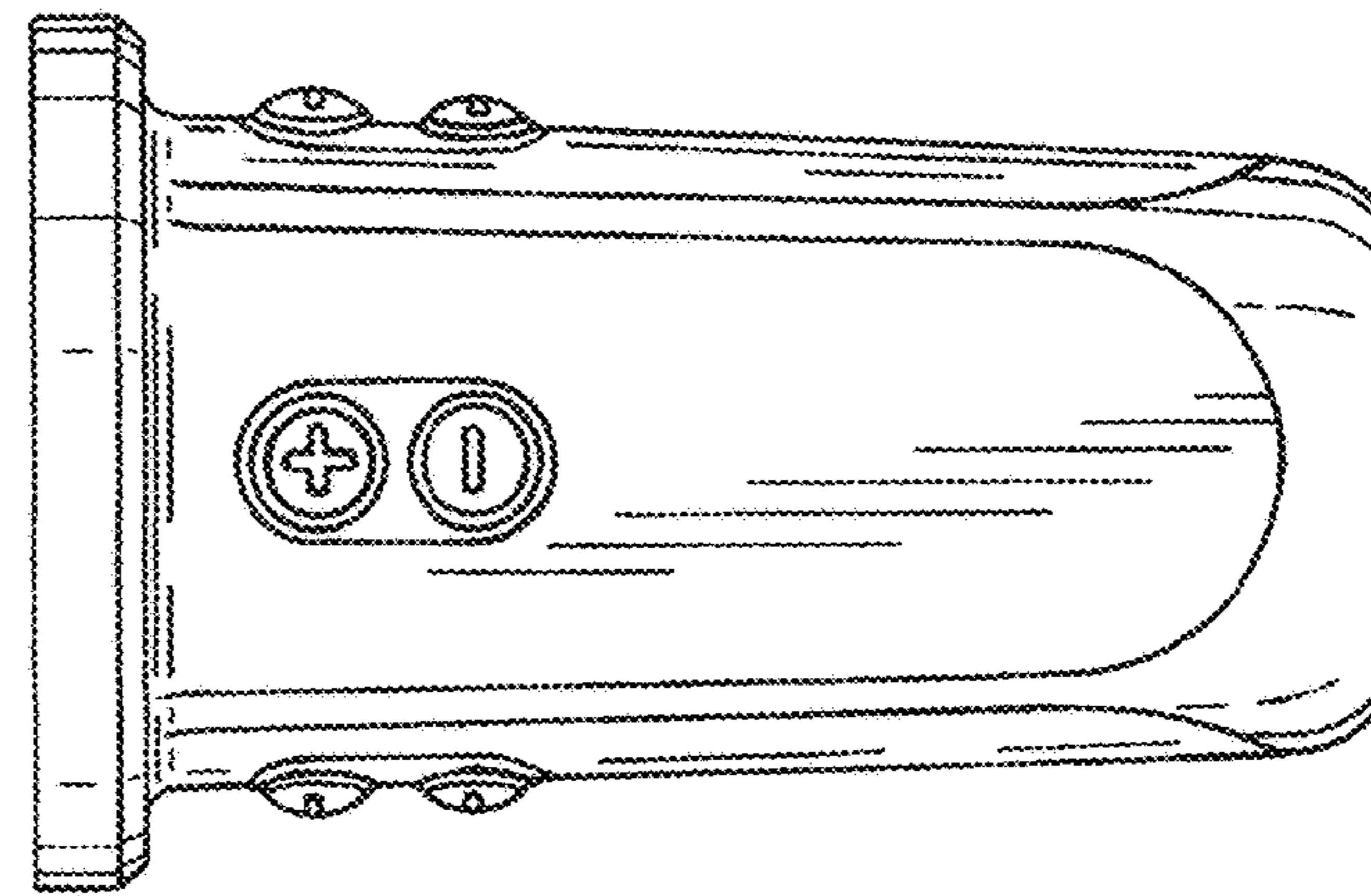


FIG. 12

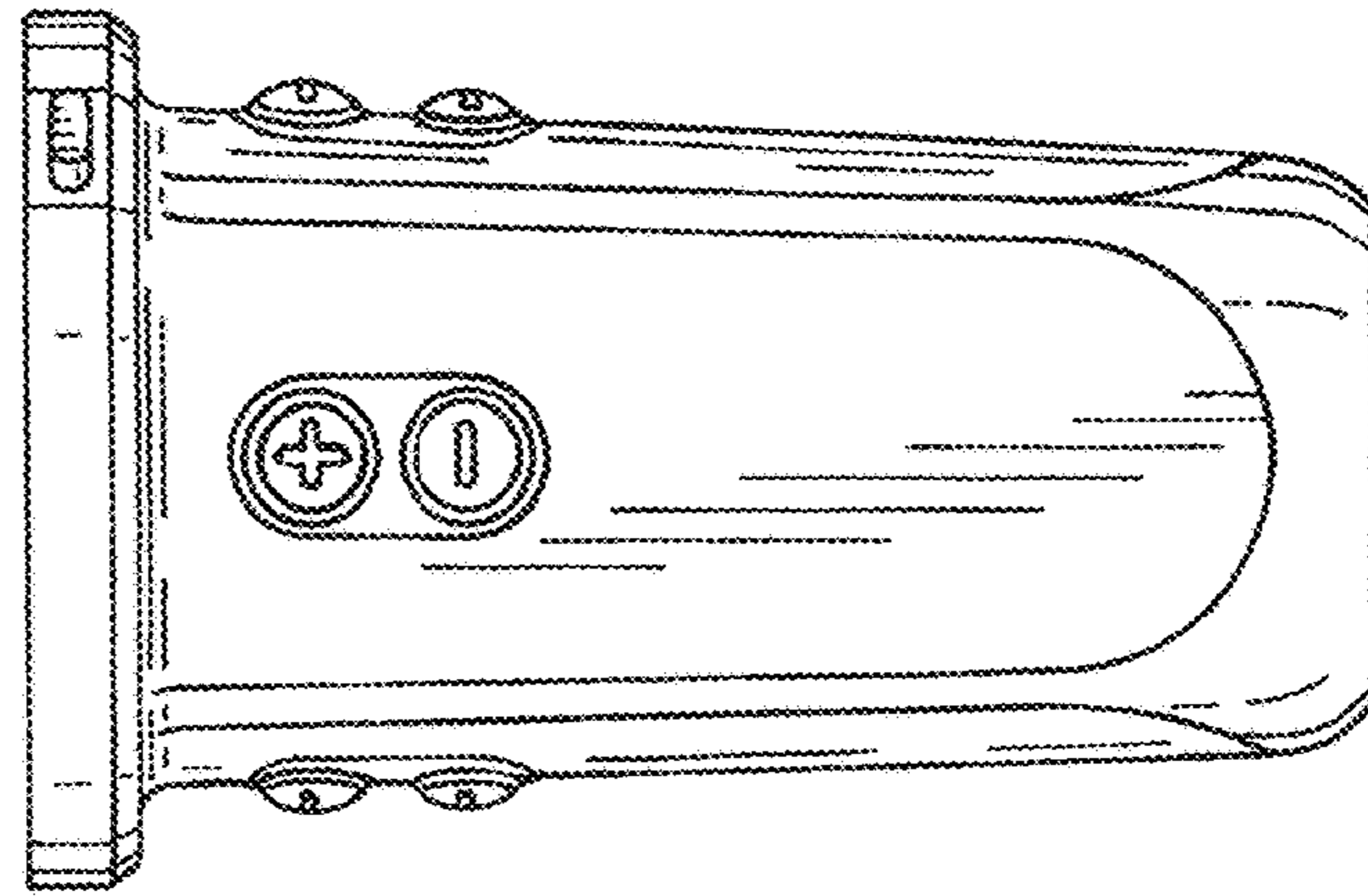


FIG. 11

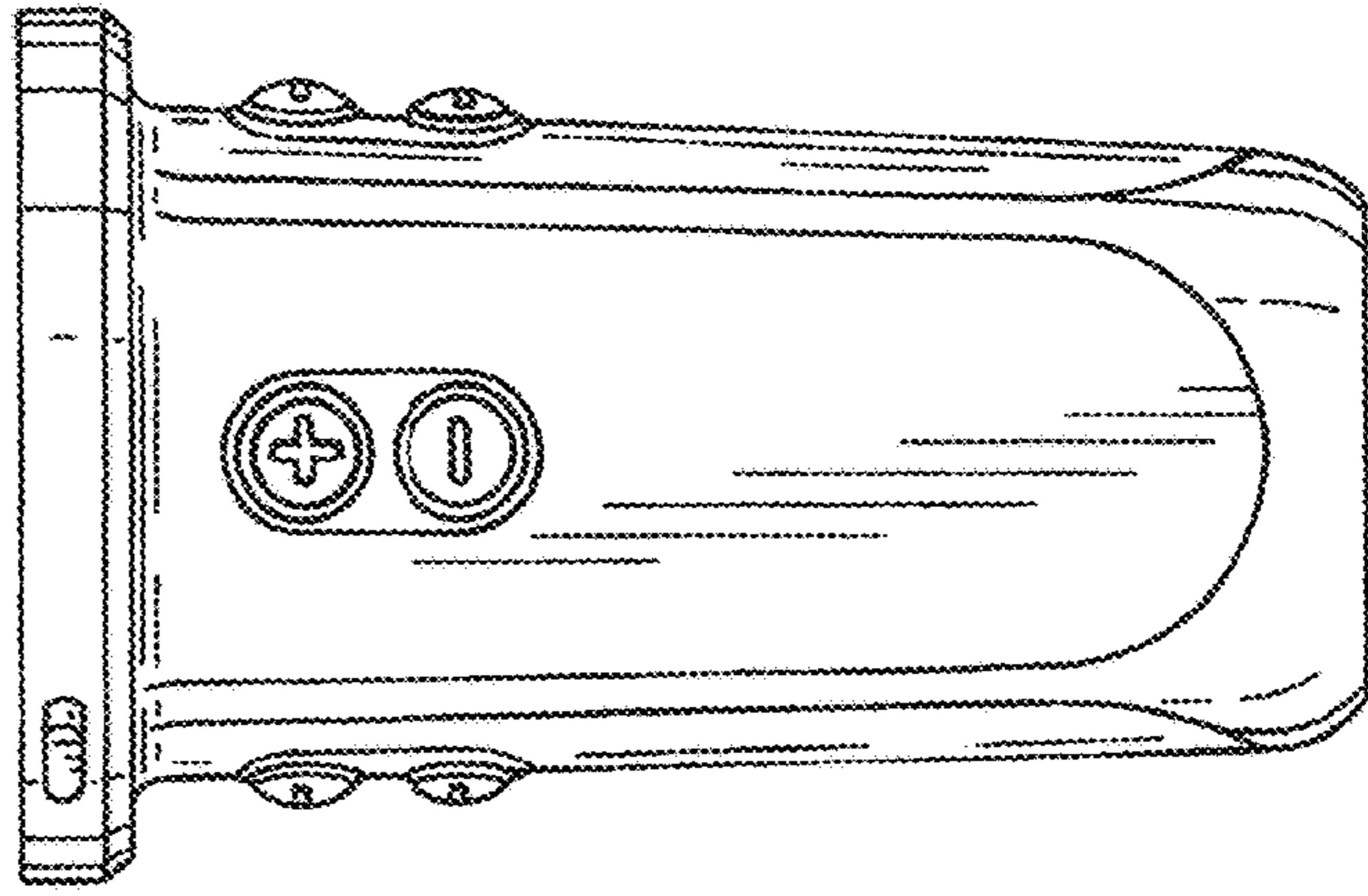


FIG. 13

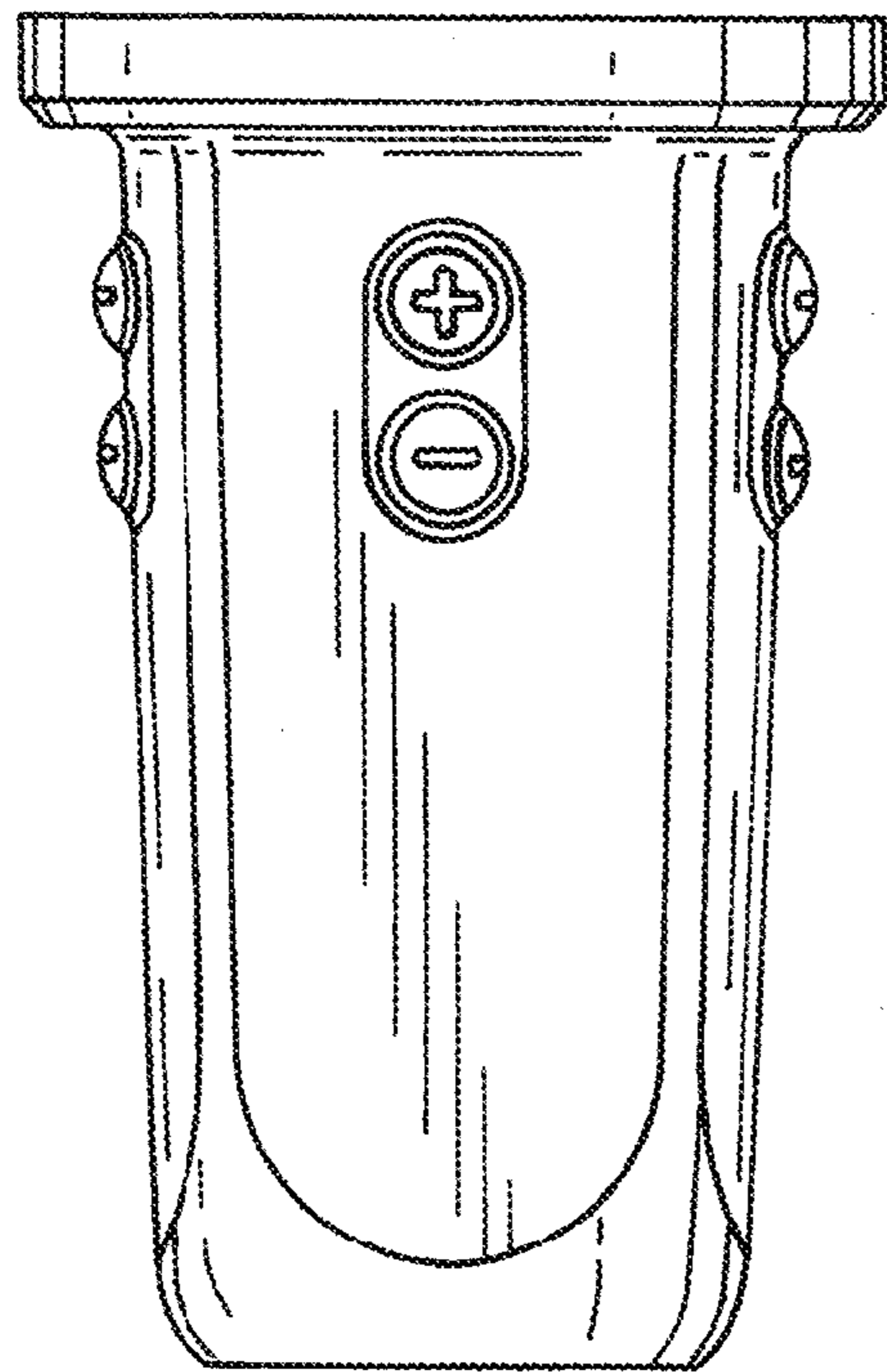


FIG. 14

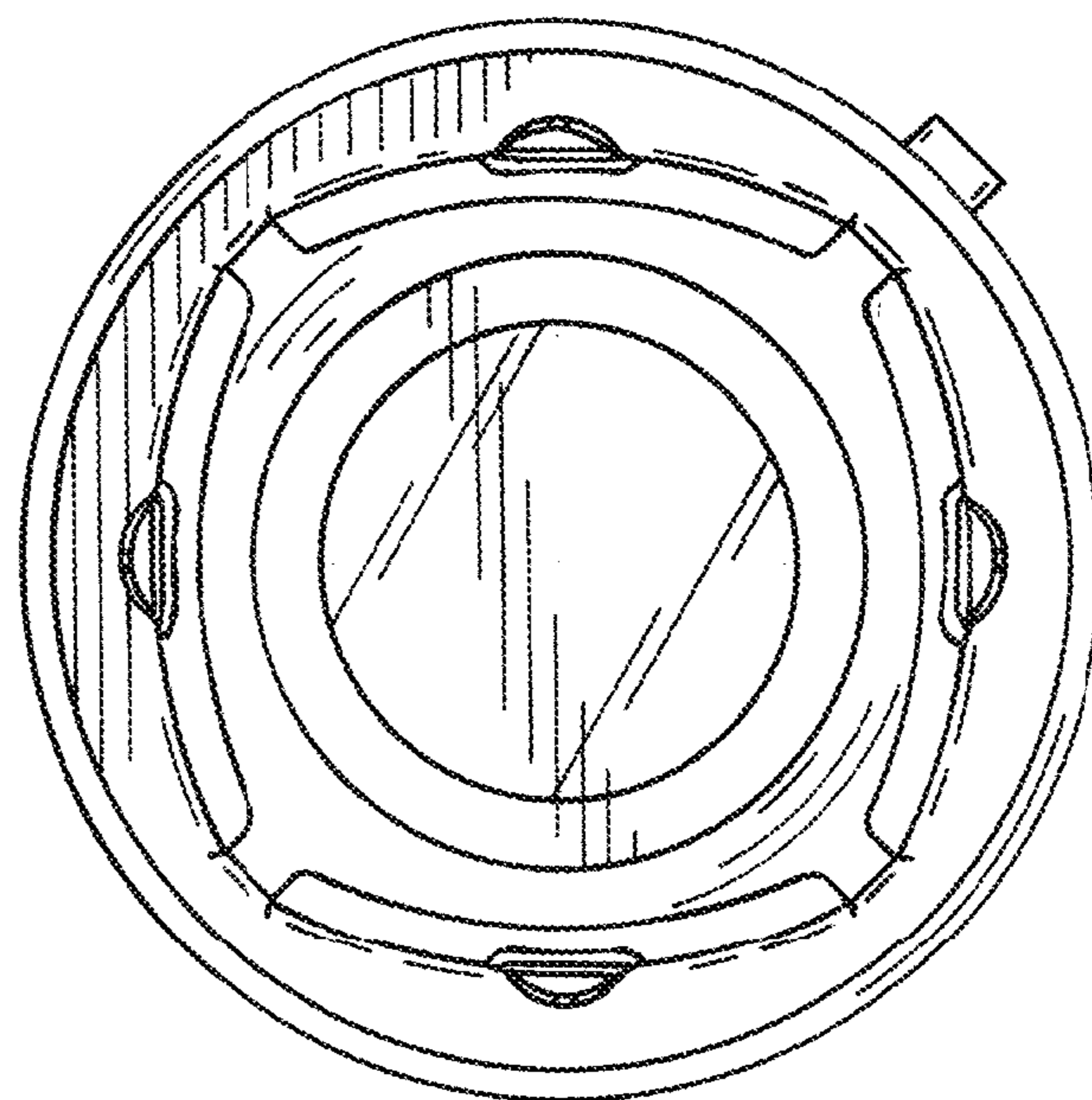


FIG. 16