



US00D887621S

(12) **United States Design Patent** (10) **Patent No.:** **US D887,621 S**
Wu (45) **Date of Patent:** **** Jun. 16, 2020**

(54) **MOTION SENSOR CEILING LIGHT**

(71) Applicant: **Xiaojun Wu**, Guangdong (CN)

(72) Inventor: **Xiaojun Wu**, Guangdong (CN)

(73) Assignee: **Aiping Guo**, Shenzhen, Guangdong (CN)

(**) Term: **15 Years**

(21) Appl. No.: **29/697,906**

(22) Filed: **Jul. 12, 2019**

(30) **Foreign Application Priority Data**

Jan. 22, 2019 (CN) 2019 3 0032586

(51) **LOC (12) Cl.** **26-03**

(52) **U.S. Cl.**
USPC **D26/89**

(58) **Field of Classification Search**
USPC D26/80-86, 88-91, 118
CPC F21S 8/04; F21S 8/043; F21S 8/046; F21S 8/061; F21S 8/063; F21S 8/065
See application file for complete search history.

(56) **References Cited**

U.S. PATENT DOCUMENTS

D556,938 S *	12/2007	Russello	D26/89
D571,034 S *	6/2008	Goetz-Schaefer	D26/85
D634,053 S *	3/2011	Guercio	D26/89
D668,811 S *	10/2012	Peter	D26/89
D693,046 S	11/2013	Hokazono		
D759,877 S *	6/2016	Hewitt	D26/89
D773,103 S *	11/2016	Recker	D26/89
D783,883 S *	4/2017	Cortez	D26/89
D855,240 S *	7/2019	Wagner	D26/89

D861,958 S *	10/2019	Winters	D26/89
2007/0253192 A1 *	11/2007	Monteiro	F21V 15/00 362/147
2015/0338071 A1 *	11/2015	Feit	F21S 8/036 362/370
2017/0009962 A1 *	1/2017	Feit	F21V 21/03
2019/0242559 A1 *	8/2019	Hsu	F21V 23/005

OTHER PUBLICATIONS

Toowell Motion Sensor Ceiling Light sold by Suolalaite at amazon.com Oct. 25, 2018. (Year: 2018).*

Woopen LED Night Light Wireless Battery Powered Motion Sensing Indoor LED Ceiling Light, sold by Lambor LLC at amazon.com May 22, 2019. (Year: 2019).*

* cited by examiner

Primary Examiner — Clare E Heflin

(57) **CLAIM**

The ornamental design for a motion sensor ceiling light, as shown and described.

DESCRIPTION

FIG. 1 is a perspective view of a motion sensor ceiling light showing my new design;

FIG. 2 is a front elevational view thereof;

FIG. 3 is a rear elevational view thereof;

FIG. 4 is a left side elevational view thereof;

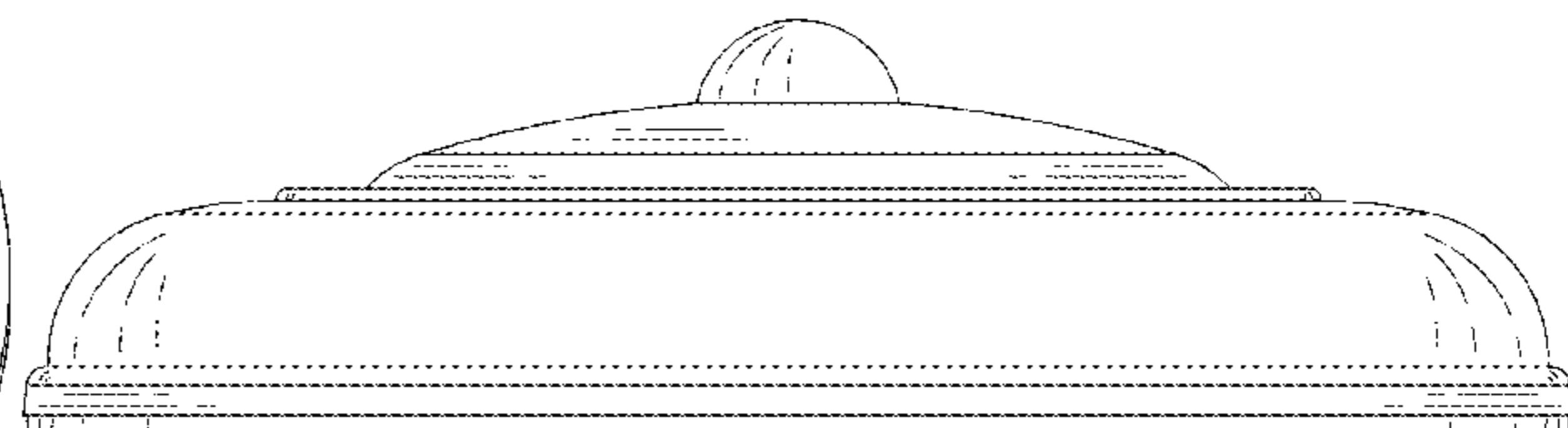
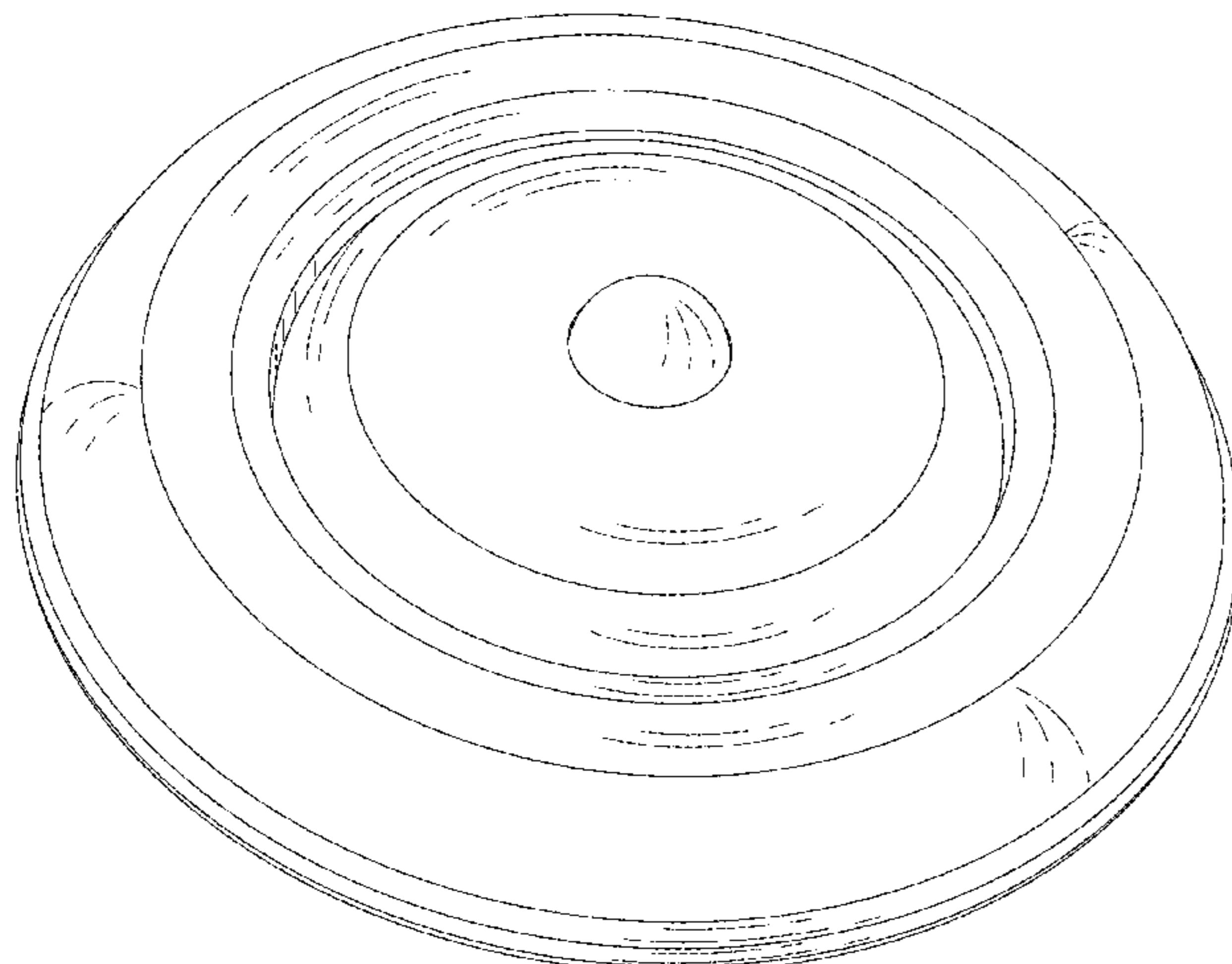
FIG. 5 is a right side elevational view thereof;

FIG. 6 is a top plan view thereof;

FIG. 7 is a bottom plan view thereof; and,

FIG. 8 is a bottom side perspective view thereof.

1 Claim, 8 Drawing Sheets



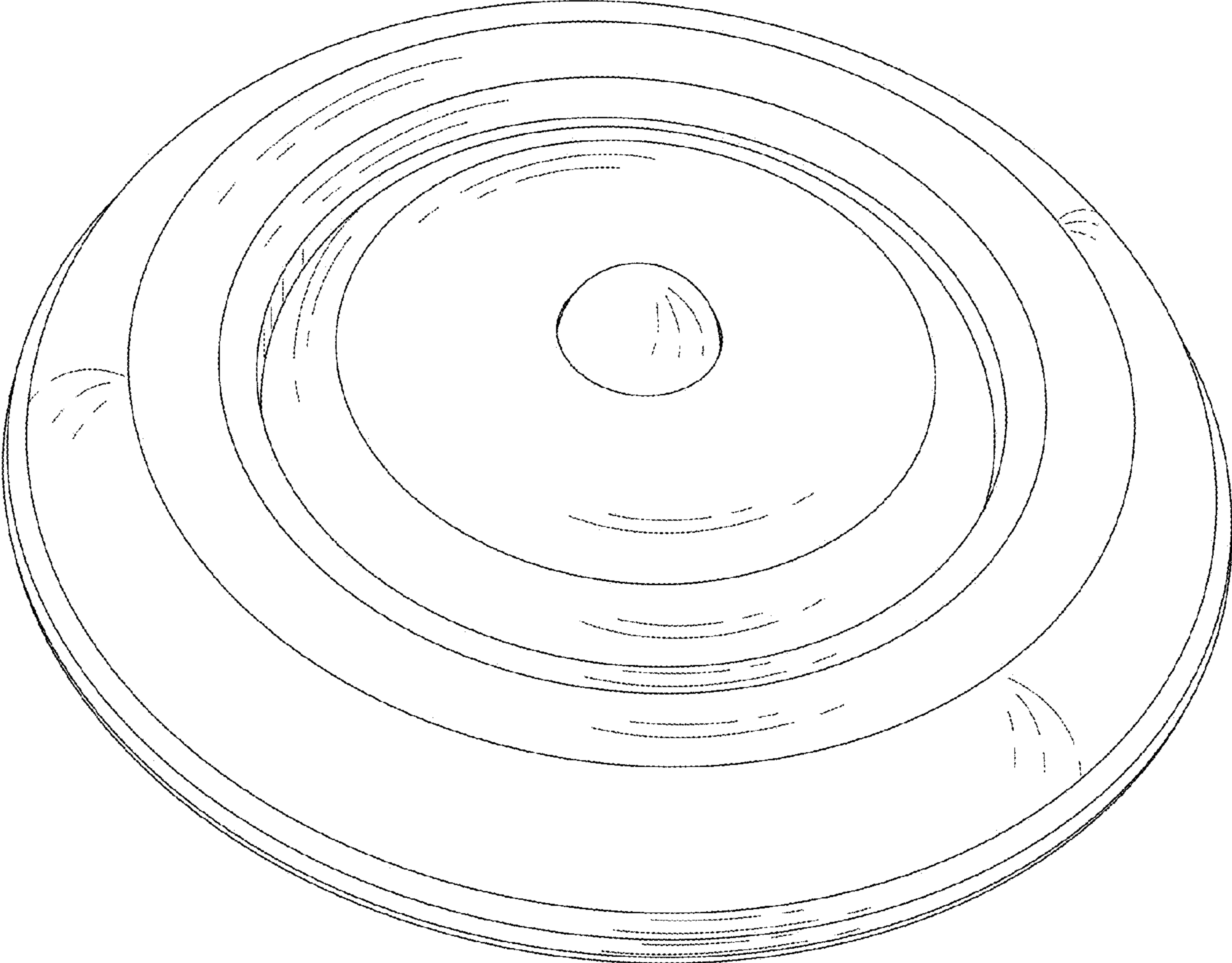


FIG.1

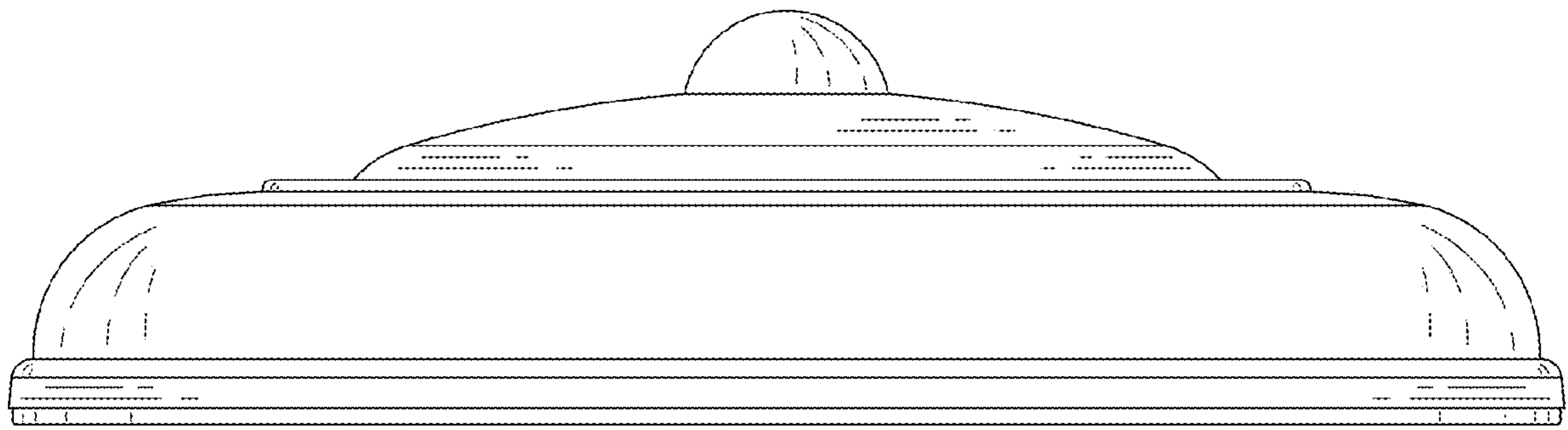


FIG.2

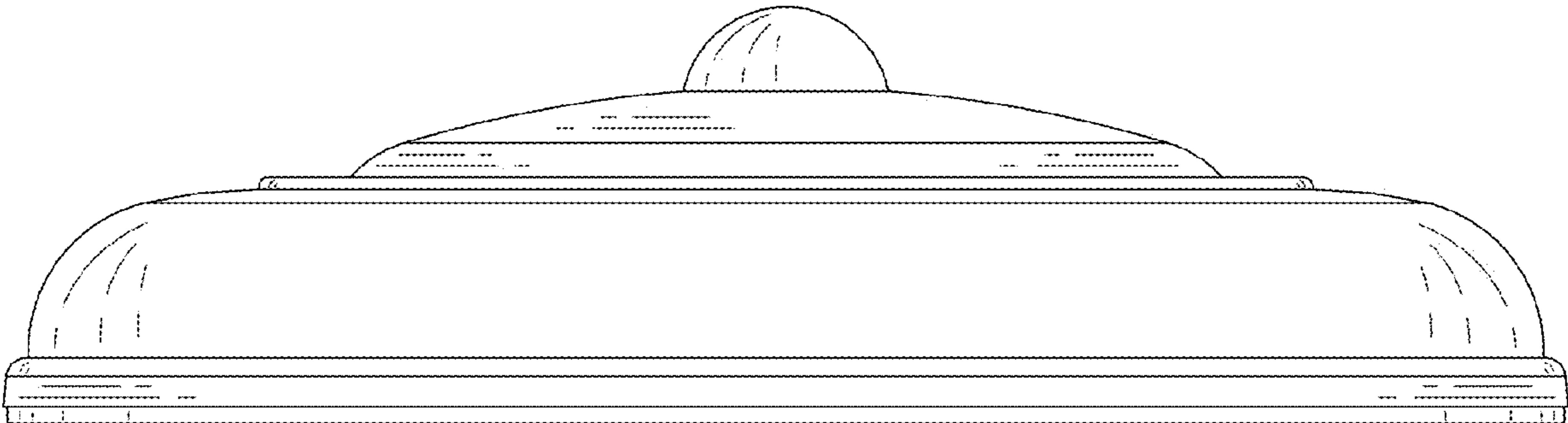


FIG.3

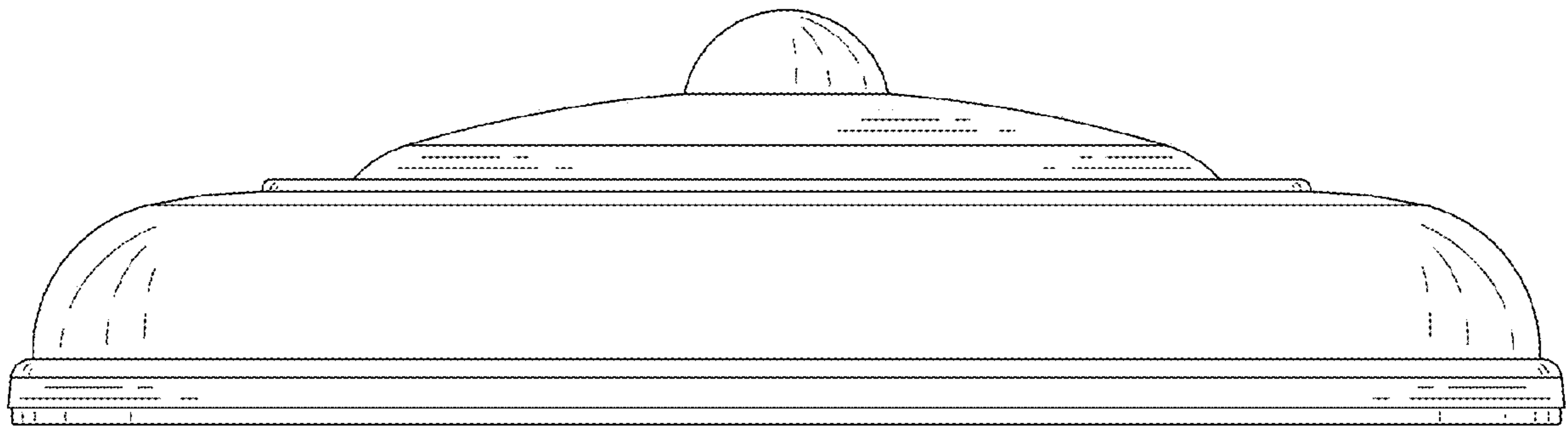


FIG.4

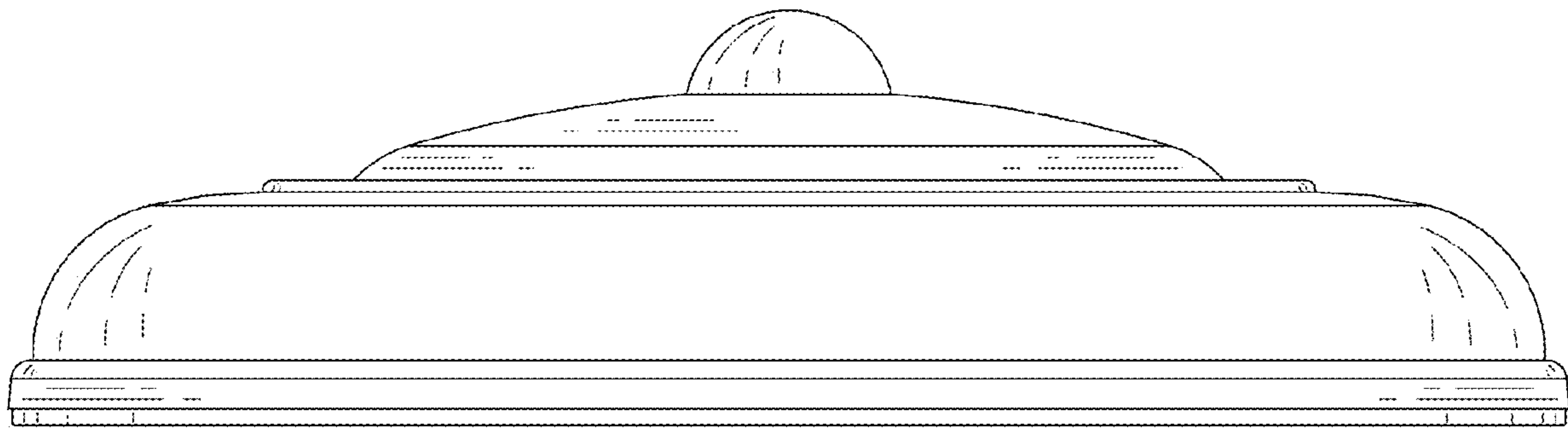


FIG.5

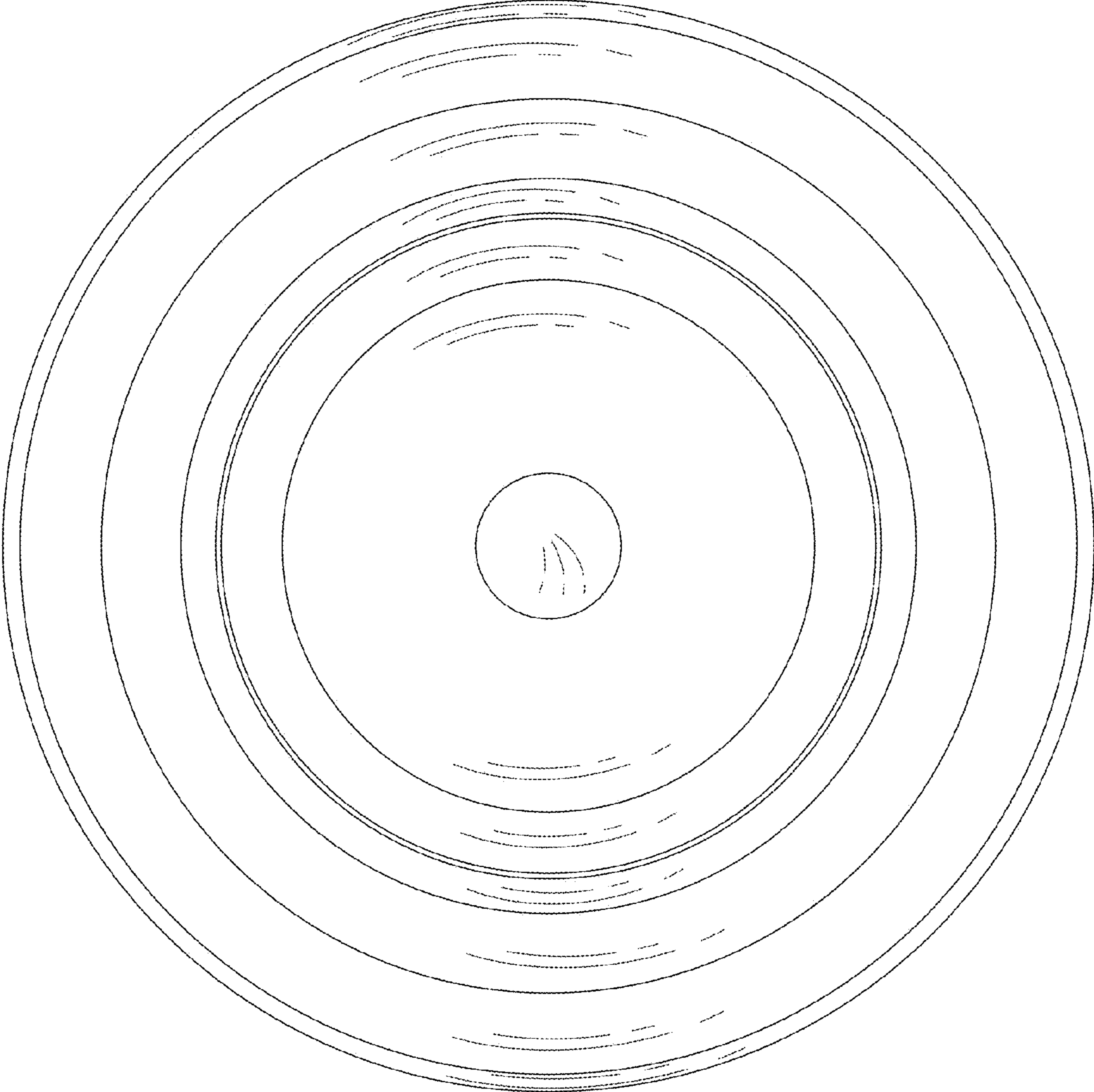


FIG.6

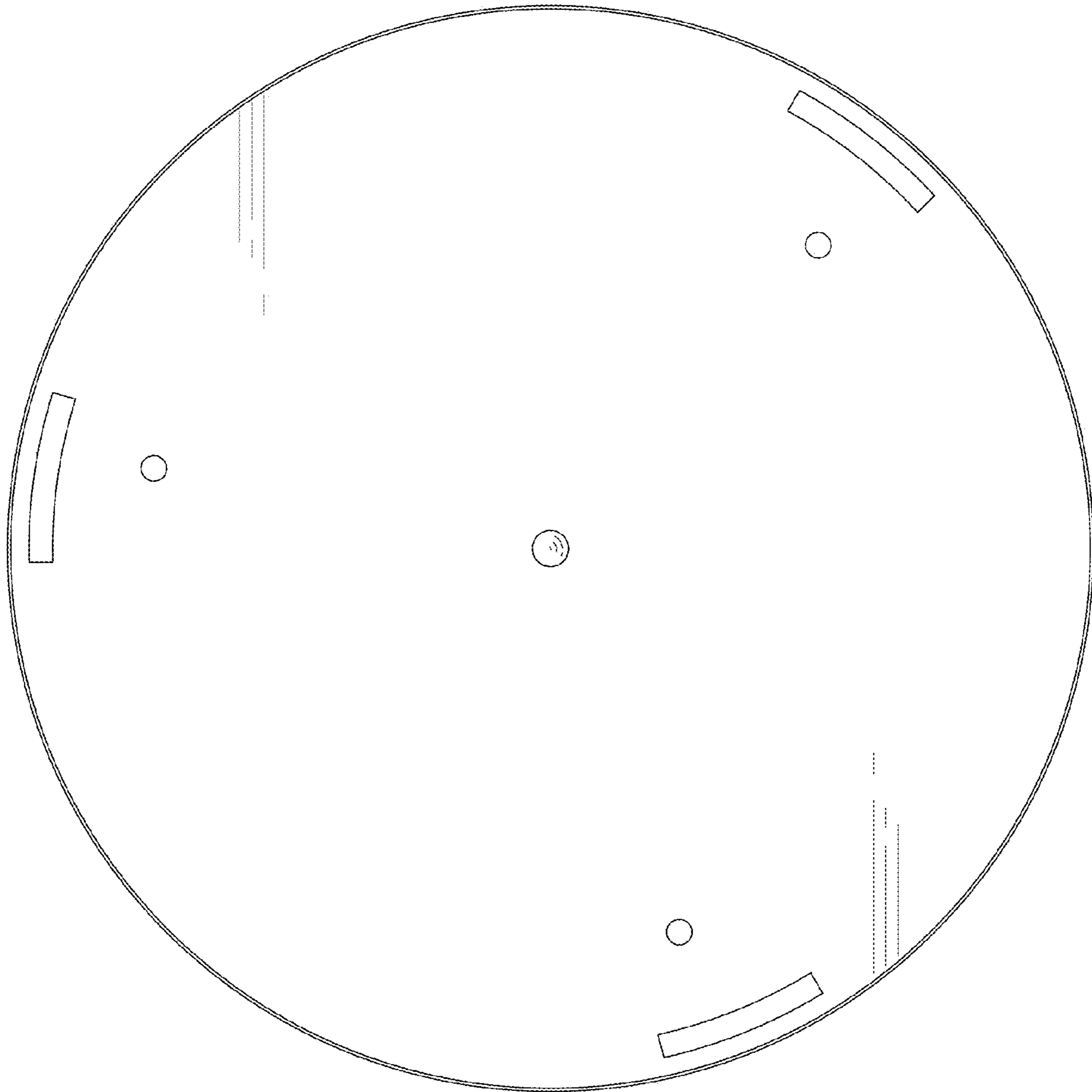


FIG.7

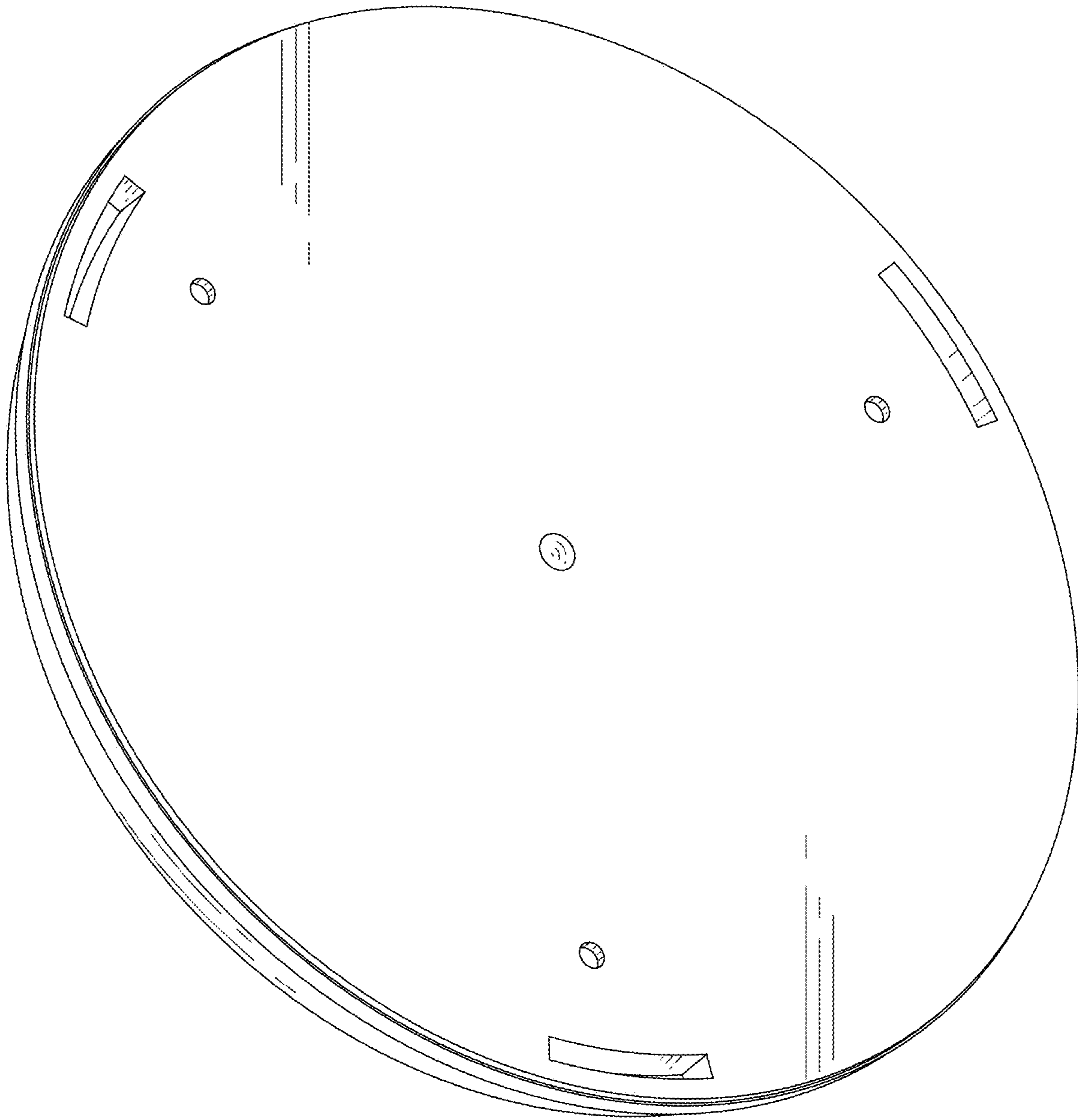


FIG.8