



US00D887620S

(12) **United States Design Patent**  
**Zhu et al.**

(10) **Patent No.:** **US D887,620 S**  
(45) **Date of Patent:** **\*\* Jun. 16, 2020**

(54) **LIGHT**

(71) Applicant: **Foshan Shine-Tech Lighting Electric Ltd, Foshan (CN)**

(72) Inventors: **Bo Zhu, Foshan (CN); Yong Li, Foshan (CN)**

(\*\*) Term: **15 Years**

(21) Appl. No.: **29/692,544**

(22) Filed: **May 27, 2019**

(51) **LOC (12) Cl.** ..... **26-03**

(52) **U.S. Cl.**  
USPC ..... **D26/88**

(58) **Field of Classification Search**  
USPC ..... D11/125, 141, 142; D26/25, 72, 73, 80, D26/81, 84, 85, 86, 88, 90, 91, 118  
CPC ..... F21S 4/10; F21S 4/15; F21S 4/22; F21S 4/24; F21S 4/26; F21S 8/04; F21S 8/043; F21S 8/046; F21S 8/06; F21S 8/061; F21S 8/063; F21S 8/065; F21S 8/068; F21V 7/18; F21W 2121/04  
See application file for complete search history.

(56) **References Cited**

**U.S. PATENT DOCUMENTS**

|           |     |        |             |       |                      |
|-----------|-----|--------|-------------|-------|----------------------|
| 3,598,988 | A * | 8/1971 | Link        | ..... | F21S 8/06<br>362/277 |
| D368,148  | S * | 3/1996 | Lee         | ..... | D26/86               |
| D635,711  | S * | 4/2011 | Scutella'   | ..... | D26/88               |
| D697,252  | S * | 1/2014 | Baylar      | ..... | D26/88               |
| D779,102  | S * | 2/2017 | Garraton    | ..... | D26/81               |
| D794,861  | S * | 8/2017 | Goorsenberg | ..... | D26/84               |
| D853,631  | S * | 7/2019 | Sperling    | ..... | D26/155              |

|              |      |         |                |       |                      |
|--------------|------|---------|----------------|-------|----------------------|
| D880,046     | S *  | 3/2020  | Orozco         | ..... | D26/81               |
| 2010/0097812 | A1 * | 4/2010  | Cheng          | ..... | F21S 4/10<br>362/382 |
| 2011/0305849 | A1 * | 12/2011 | Presswood, Jr. | ..... | A47G 33/08<br>428/8  |

**OTHER PUBLICATIONS**

Gilli Industrial Vintage Spherical Pendant Light Metal Globe Downlight Chandelier , Item #34649217, sold at overstock.com as early as Nov. 2, 2019. (Year: 2019).\*  
Eichholtz Cassini Planetarian Bronze LED Chandelier Item # 113445 sold at oroa.com visited Apr. 23, 2020. (Year: 2020).\*  
Cosmos Lamp designed by Nathaniel Ng featured in yanko design article by Sarang Sheth published Apr. 17, 2020. (Year: 2020).\*  
Pendant light JC-PT-02, <https://www.jinnlighting.com/product-page/pendant-light-hza-001>.

\* cited by examiner

*Primary Examiner* — Clare E Heflin  
(74) *Attorney, Agent, or Firm* — KA Filing LLC; Wayne V. Harper

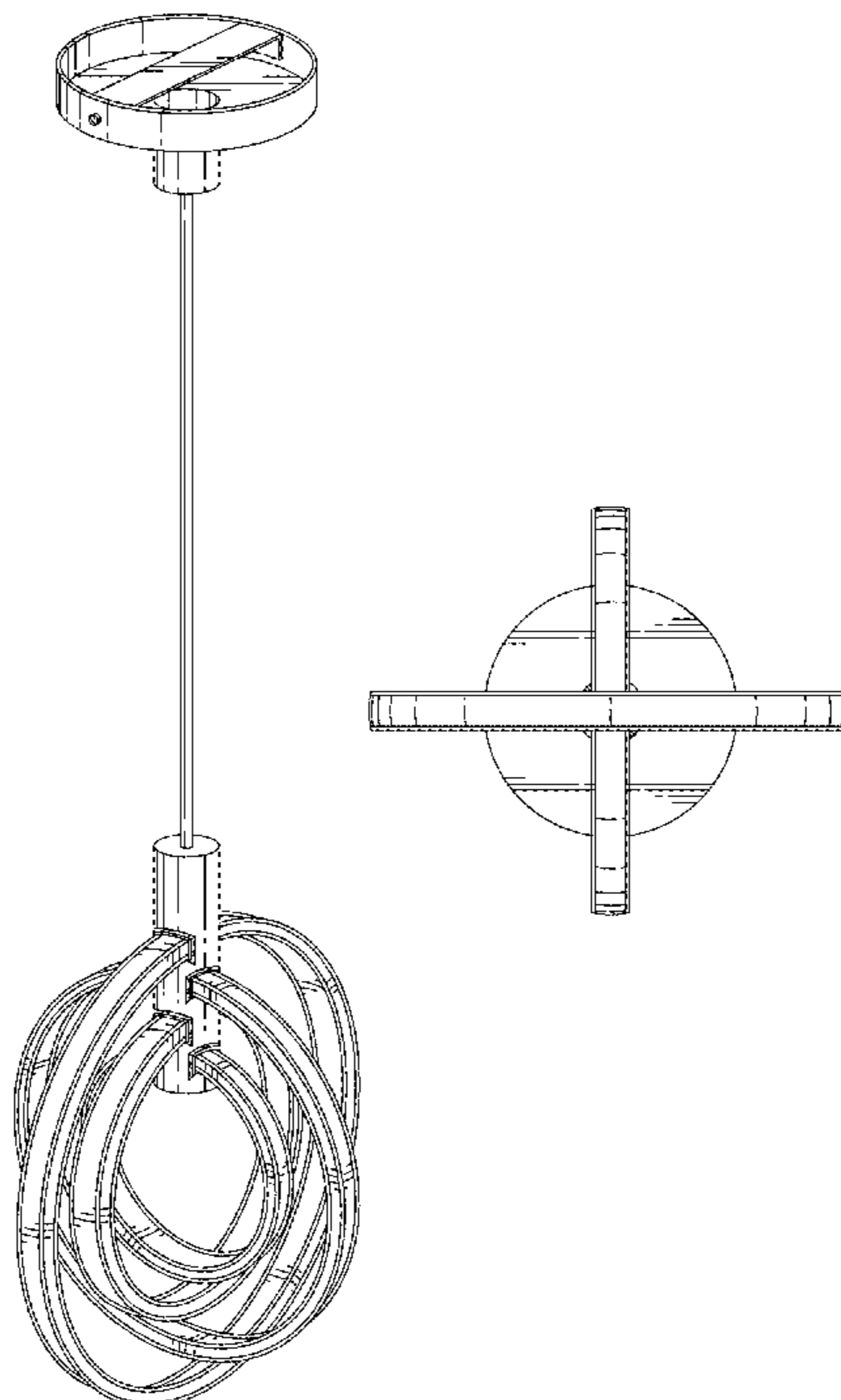
(57) **CLAIM**

We claim the ornamental design for a light, as shown and described.

**DESCRIPTION**

FIG. 1 is a Perspective view of a light showing my new design;  
FIG. 2 is a Front view of the light as shown in FIG. 1;  
FIG. 3 is a Back view of the light as shown in FIG. 1;  
FIG. 4 is Left-side view of the light as shown in FIG. 1;  
FIG. 5 is a Right-side view of the light as shown in FIG. 1;  
FIG. 6 is a Top view of the light as shown in FIG. 1; and,  
FIG. 7 is a Bottom view of the light as shown in FIG. 1.

**1 Claim, 6 Drawing Sheets**



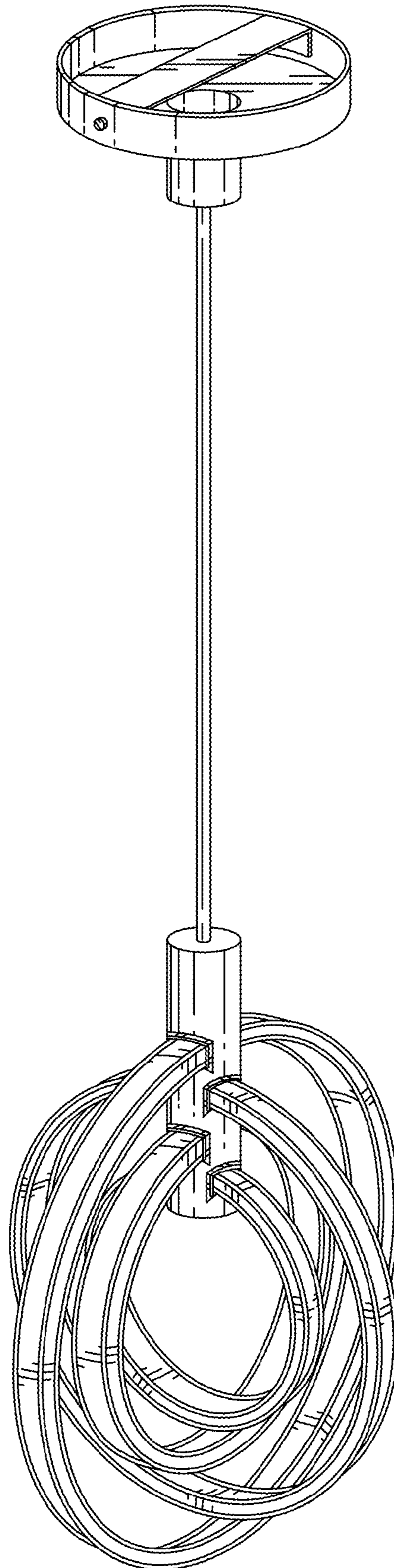


FIG. 1

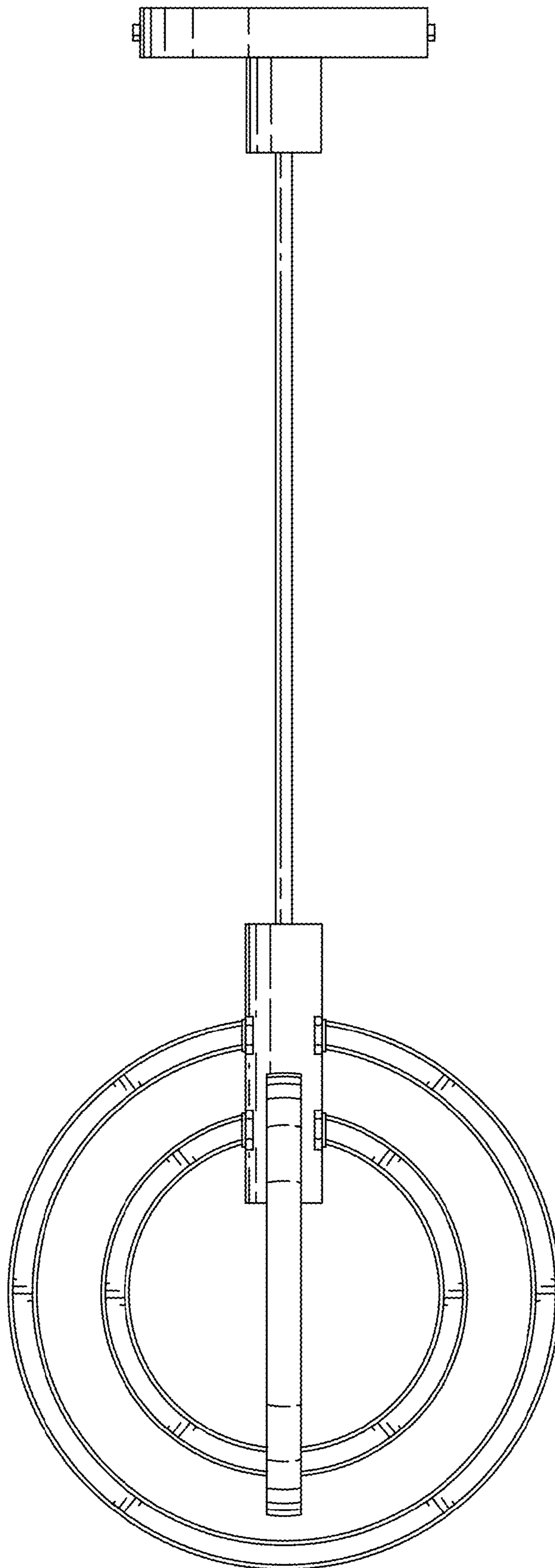


FIG. 2

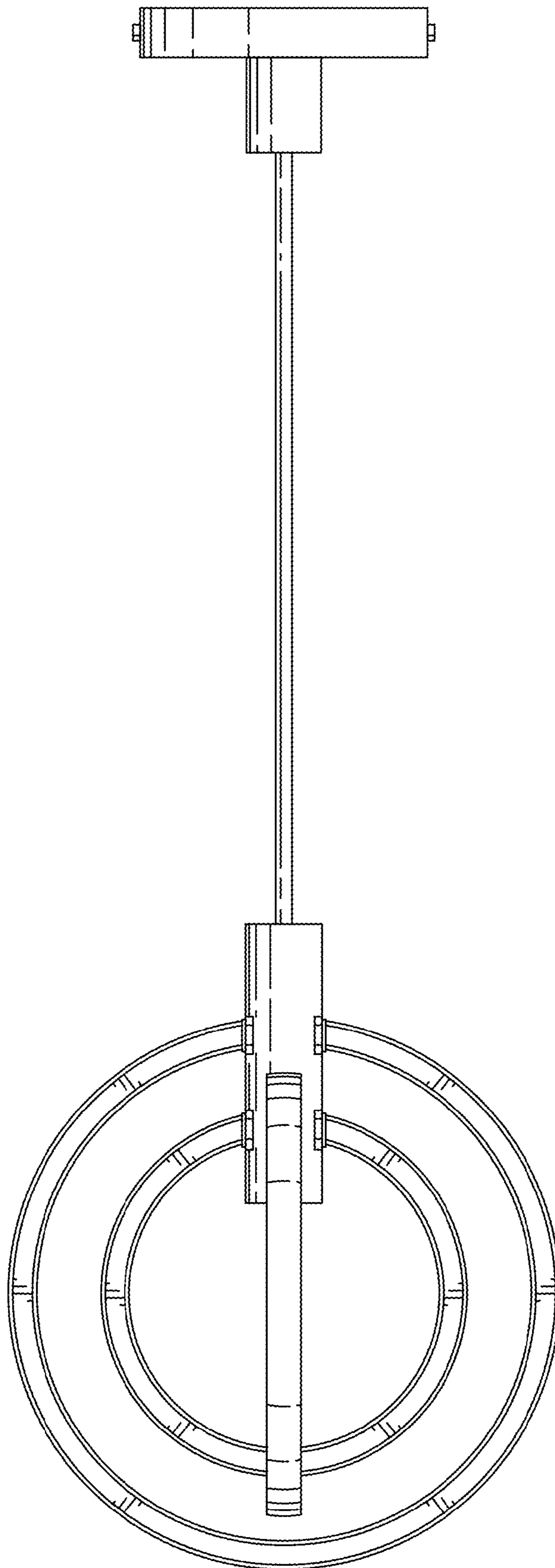


FIG. 3

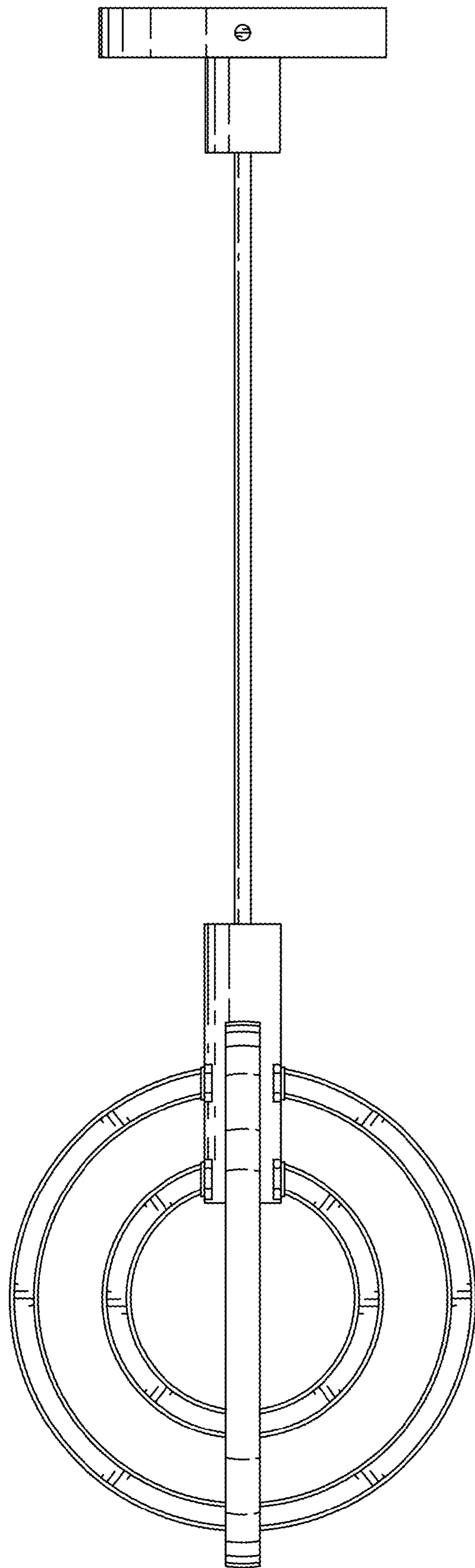


FIG. 4



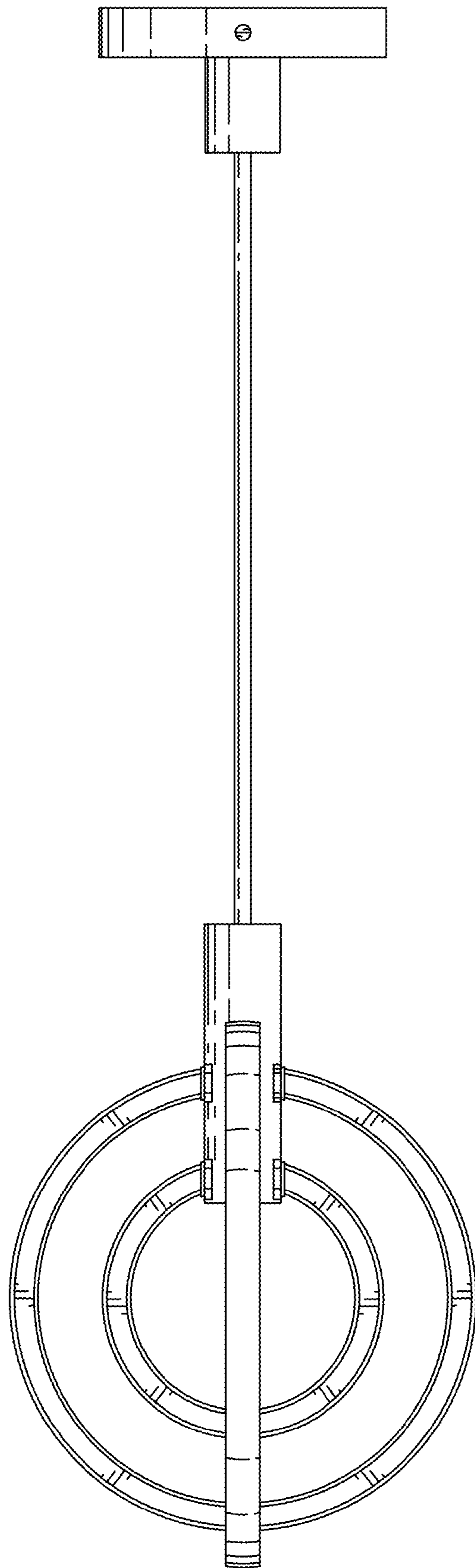


FIG. 5

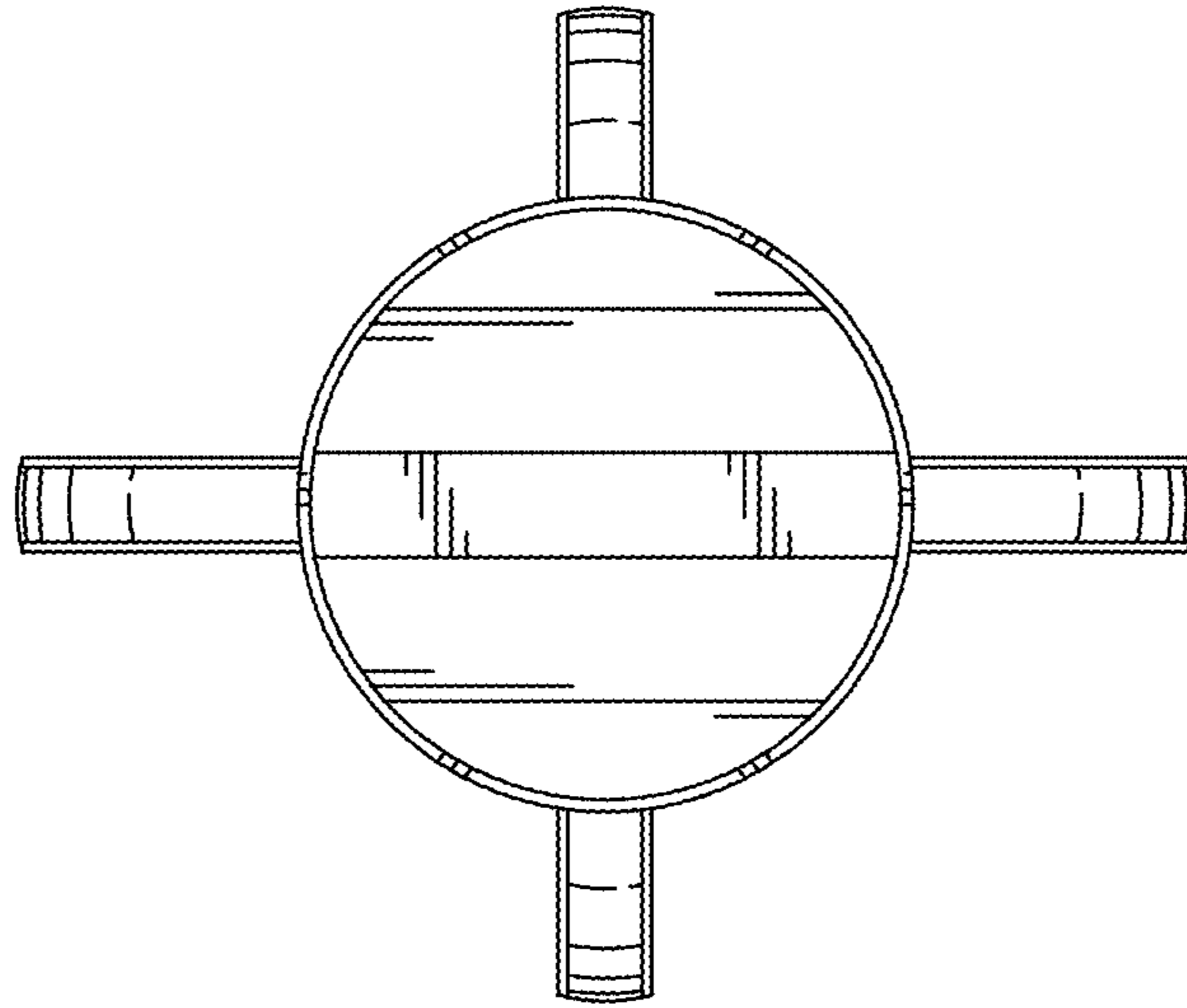


FIG. 6

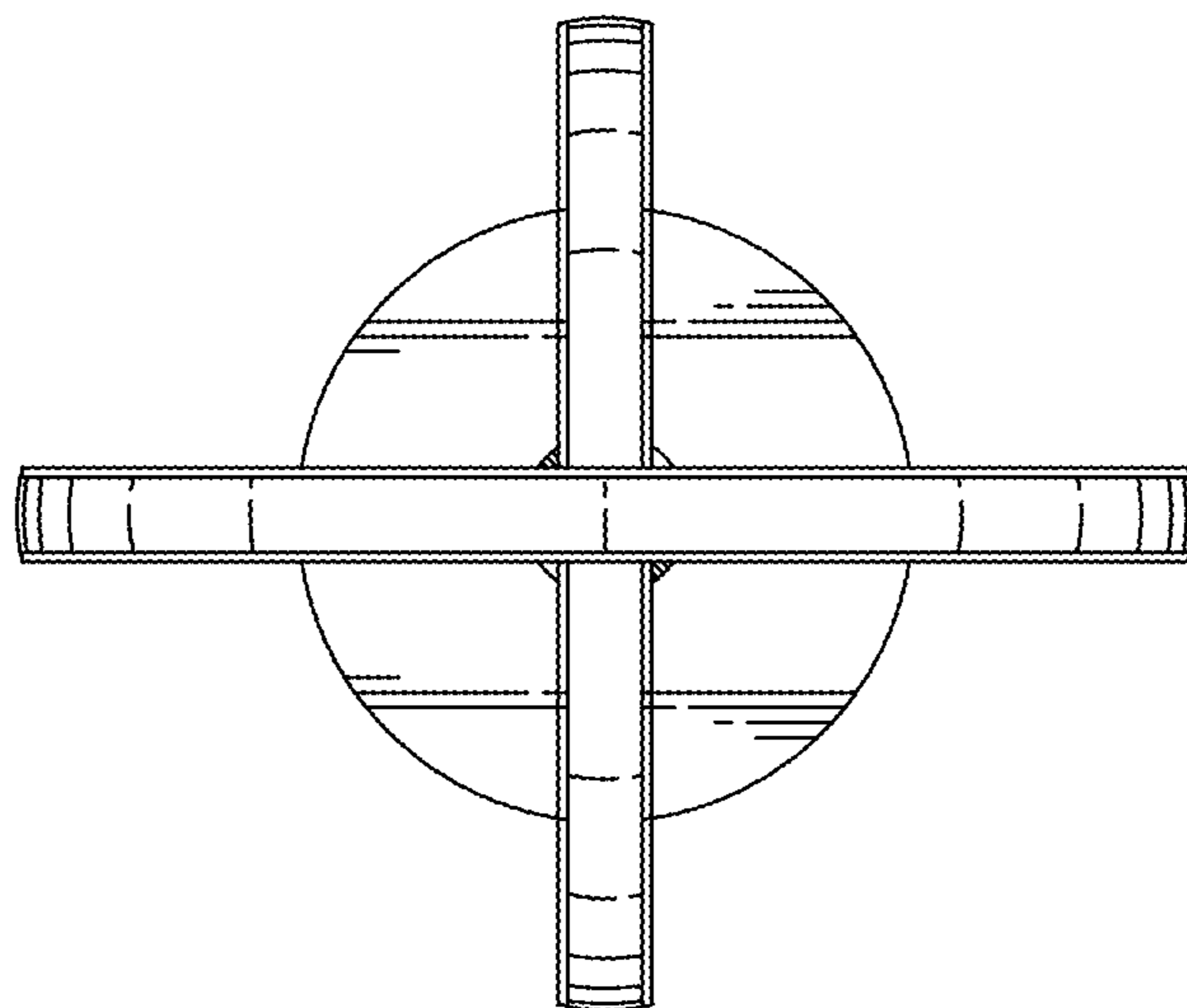


FIG. 7