



US00D887619S

(12) **United States Design Patent**
Chen

(10) **Patent No.:** **US D887,619 S**

(45) **Date of Patent:** **** Jun. 16, 2020**

(54) **LIGHT FIXTURE**

(71) Applicant: **Chia-Teh Chen**, Taipei (TW)

(72) Inventor: **Chia-Teh Chen**, Taipei (TW)

(**) Term: **15 Years**

(21) Appl. No.: **29/685,555**

(22) Filed: **Mar. 28, 2019**

(51) **LOC (12) Cl.** **26-03**

(52) **U.S. Cl.**

USPC **D26/88**

(58) **Field of Classification Search**

USPC D26/67, 72, 85, 87, 88, 90

CPC F21S 8/03; F21S 8/035; F21S 8/036; F21S

8/043; F21S 8/06; F21S 8/061; F21S

8/063; F21S 13/02; F21S 13/04; F21S

13/10; F21V 21/104; F21W 2121/004;

F21W 2131/109

See application file for complete search history.

(56) **References Cited**

U.S. PATENT DOCUMENTS

D64,114 S *	3/1924	Gruber	D26/85
D64,115 S *	3/1924	Gruber	D26/85
D64,116 S *	3/1924	Gruber	D26/85
D359,815 S *	6/1995	Porter	D26/85
D429,018 S *	8/2000	De'Armond	D26/72
D438,323 S *	2/2001	Xu	D26/72
D445,210 S *	7/2001	Chen	D26/72
D461,578 S *	8/2002	Cheong	D26/67
D484,999 S *	1/2004	Krieger	D26/67
D629,949 S *	12/2010	Ho	D26/67
D663,063 S *	7/2012	Yang	D26/67
D754,907 S *	4/2016	Orozco	D26/85

OTHER PUBLICATIONS

Zeyu 4-Light Dining Room Chandelier, Foyer Lighting Fixture, at amazon.com Jul. 1, 2019. (Year: 2019).*

Belleze Metal and Wood Rustic Caged Ceiling Lamp, item No. 014-HG-60202, from onebigoutlet.com visited Mar. 26, 2020. (Year: 2020).*

Rustic Weathered Oak Wood 3-Light Pendant Lighting Chandelier from Parrot Uncle, from overstock.com, visited Mar. 26, 2020. (Year: 2020).*

Feiss—Gannet 4 Light Weathered Oak Wood / Antique Forged Iron Chandelier, from overstock.com visited Mar. 26, 2020. (Year: 2020).*

* cited by examiner

Primary Examiner — Clare E Heflin

(74) *Attorney, Agent, or Firm* — Li & Cai Intellectual Property Office

(57) **CLAIM**

The ornamental design for a light fixture, as shown and described.

DESCRIPTION

FIG. 1 is a front and top perspective view of a light fixture showing my new design;

FIG. 2 is a front elevation view thereof;

FIG. 3 is a rear elevation view thereof;

FIG. 4 is a left side elevation view thereof;

FIG. 5 is a right side elevation view thereof;

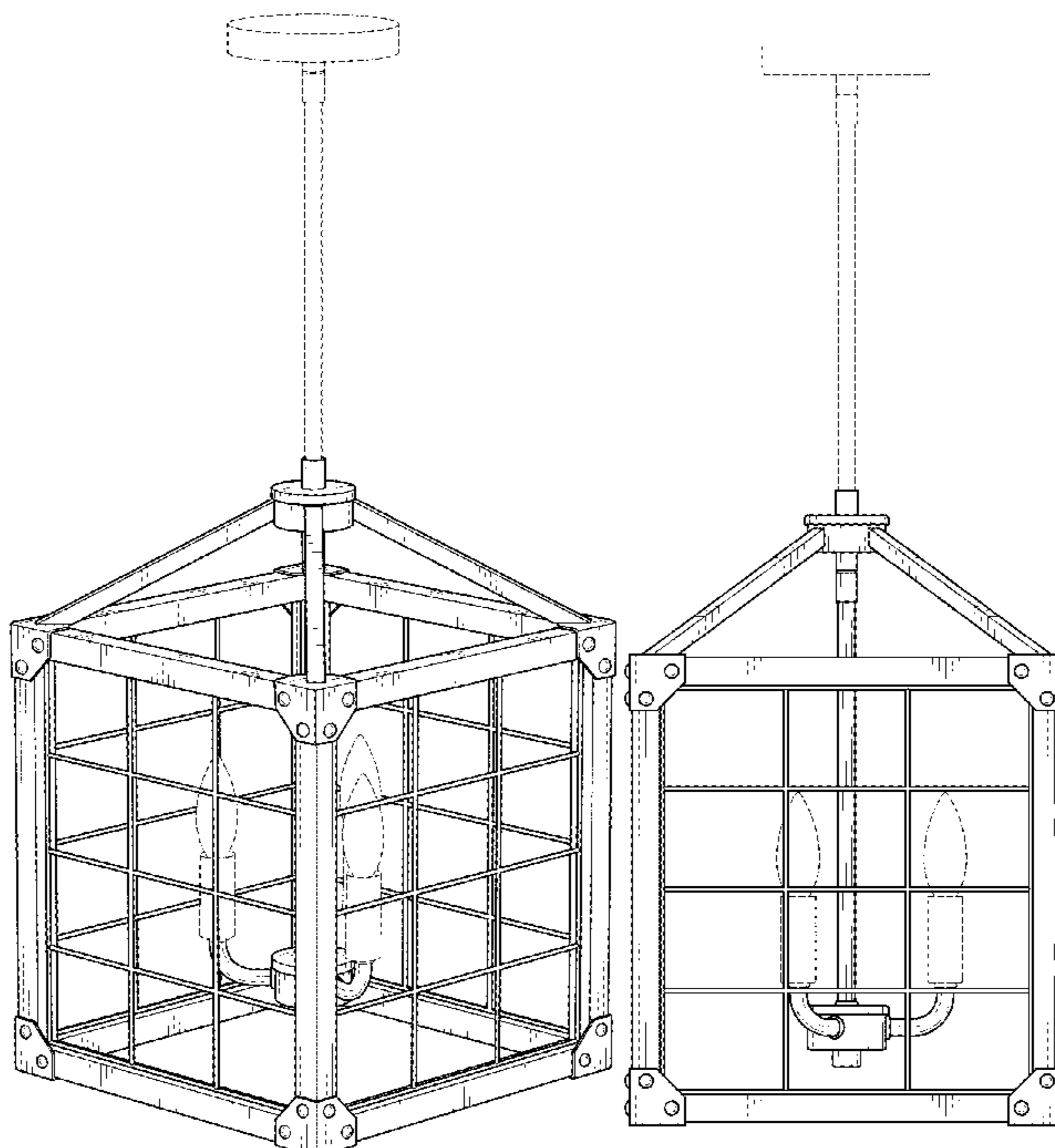
FIG. 6 is a top plan view thereof;

FIG. 7 is a bottom plan view thereof; and,

FIG. 8 is a rear and bottom perspective view thereof.

The broken lines depict portions of the light fixture in which the design is embodied that form no part of the claimed design.

1 Claim, 7 Drawing Sheets



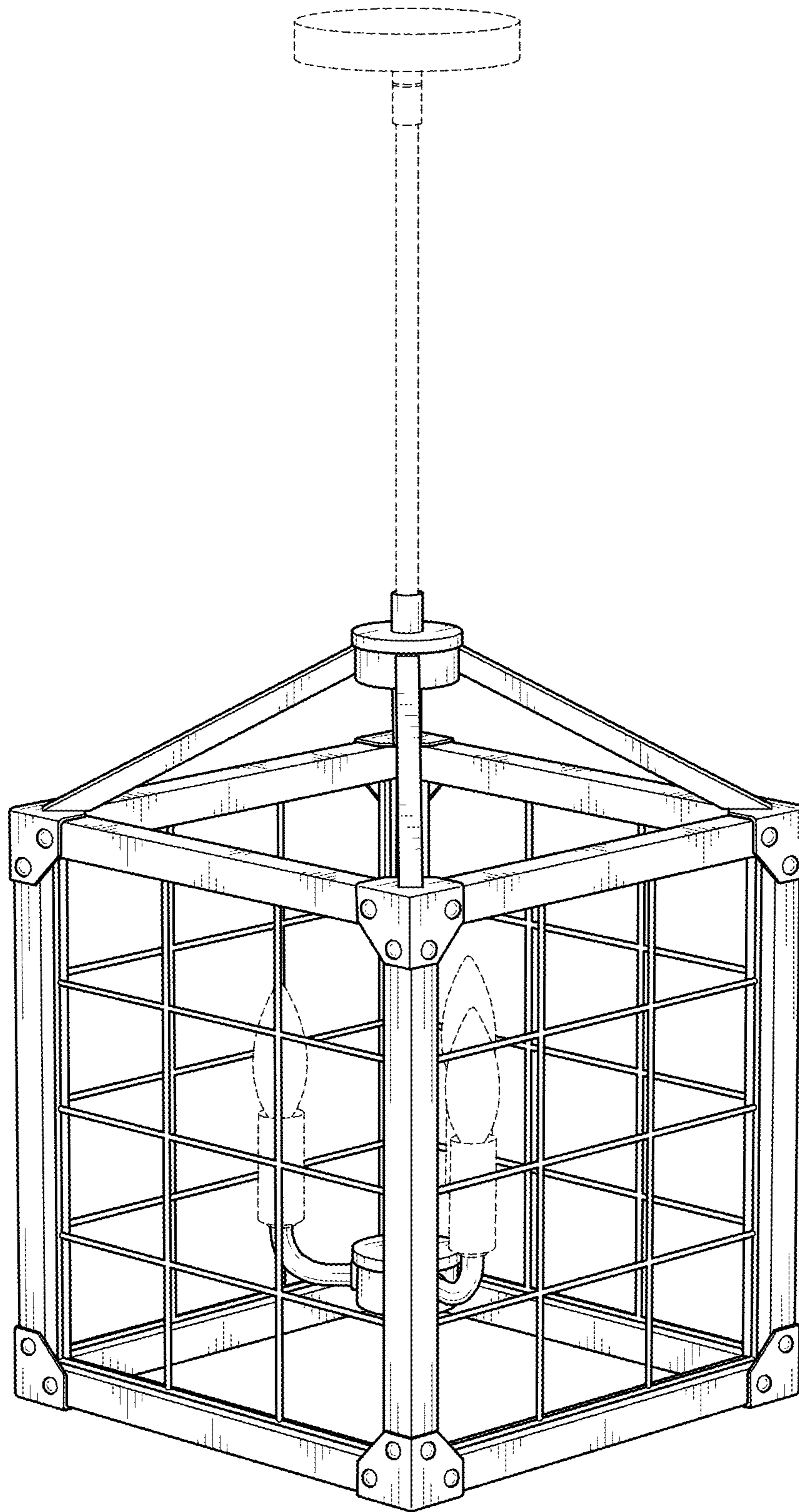


FIG. 1

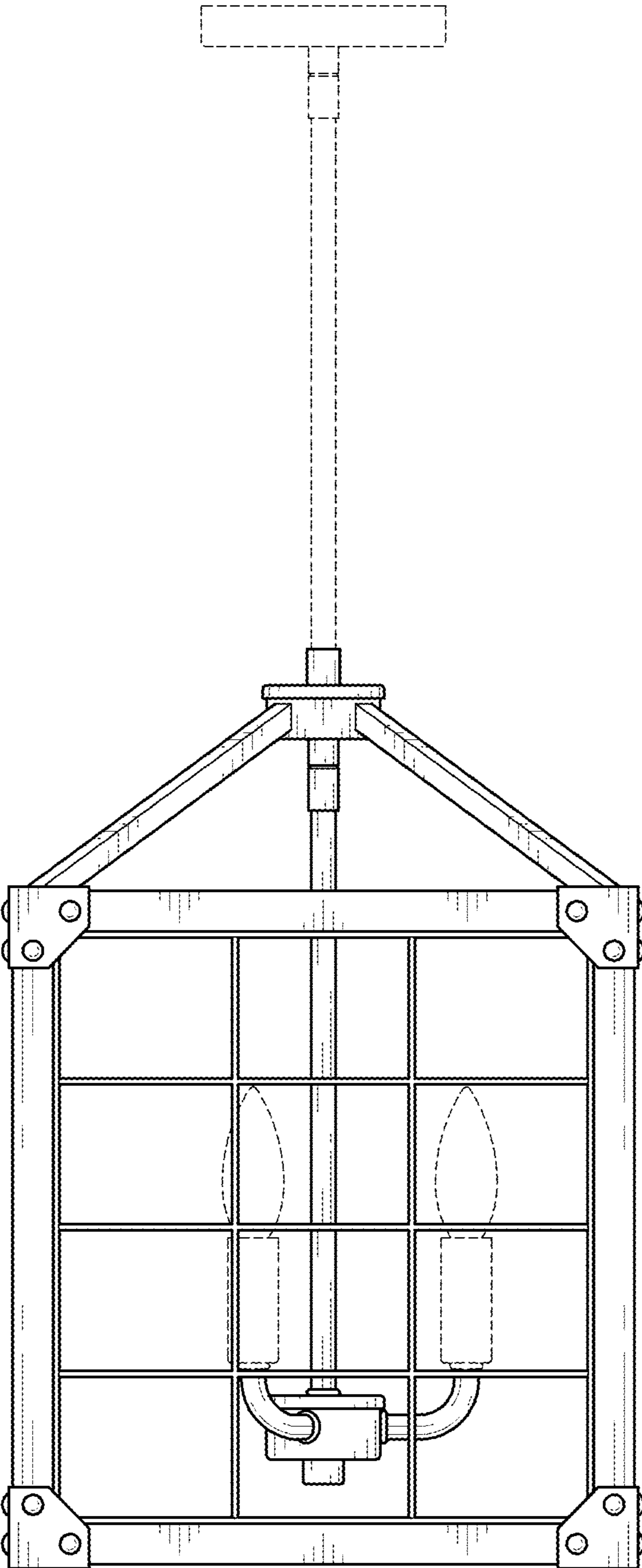


FIG. 2

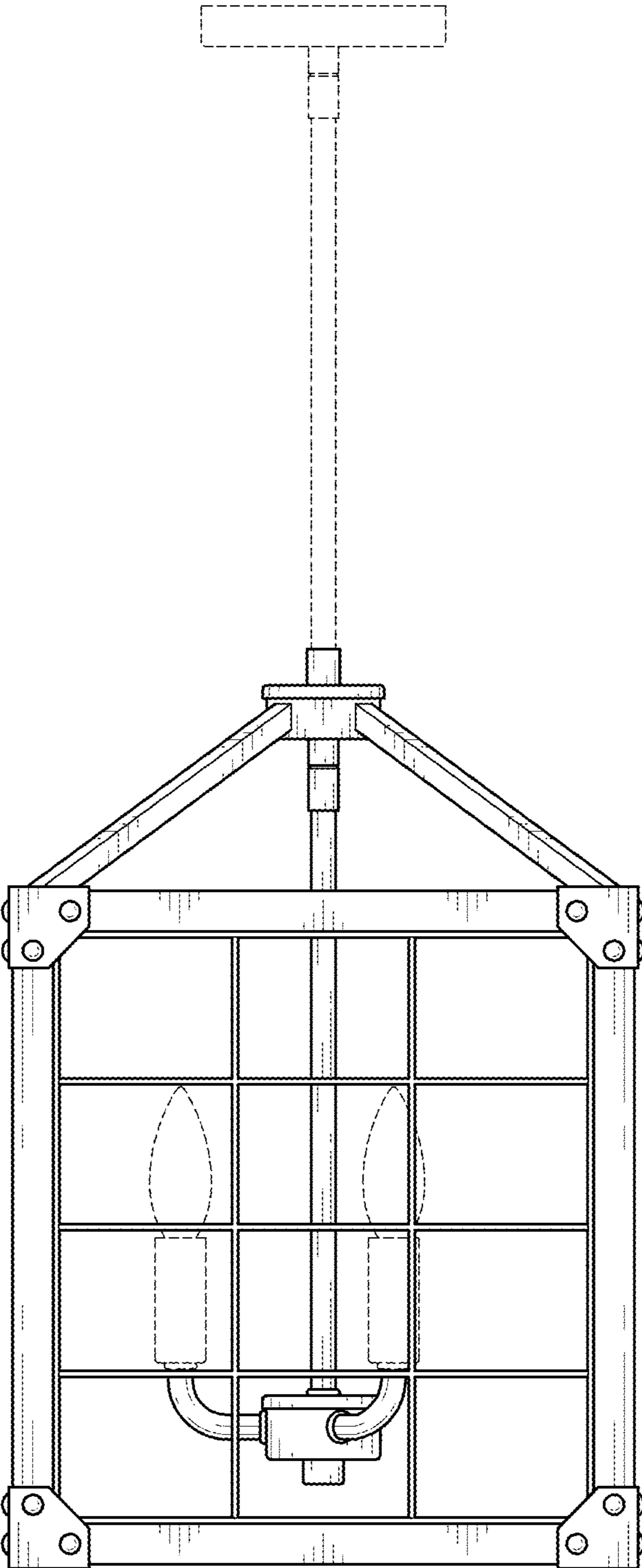


FIG. 3

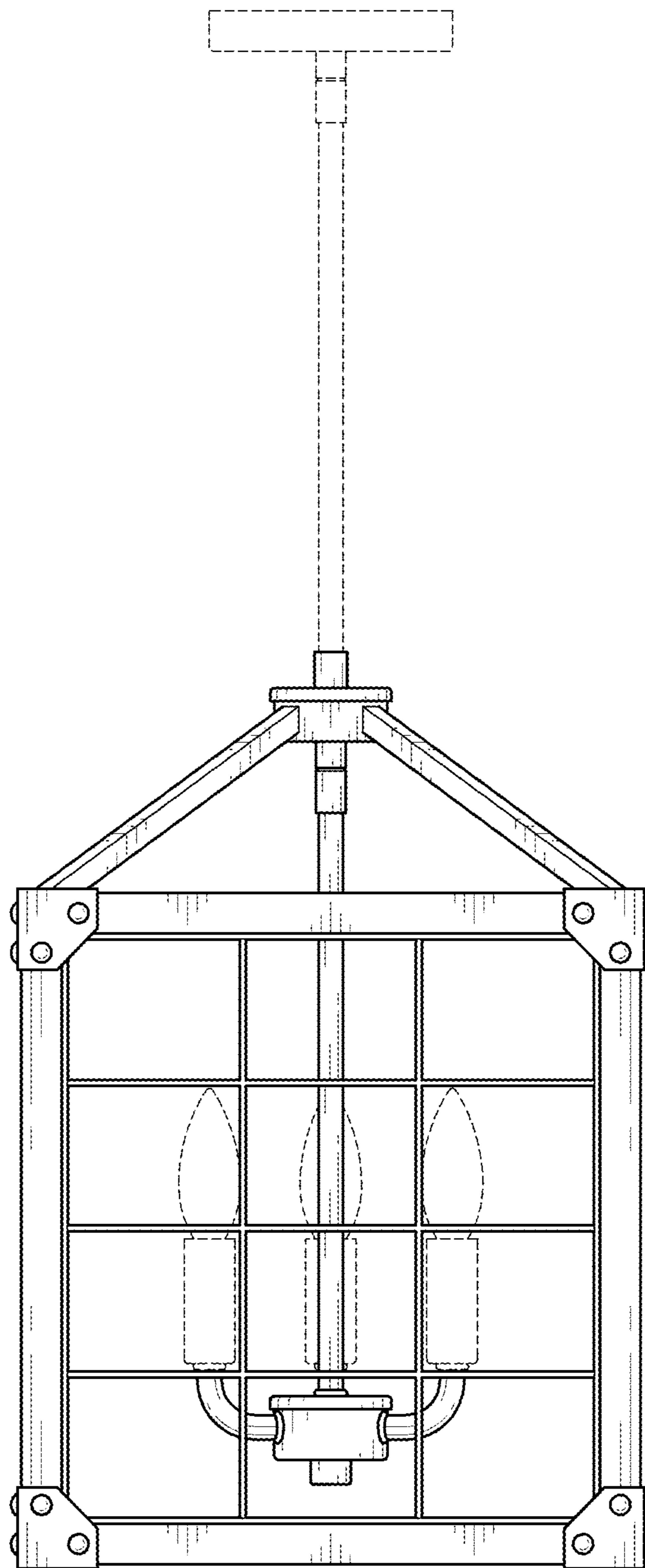


FIG. 4

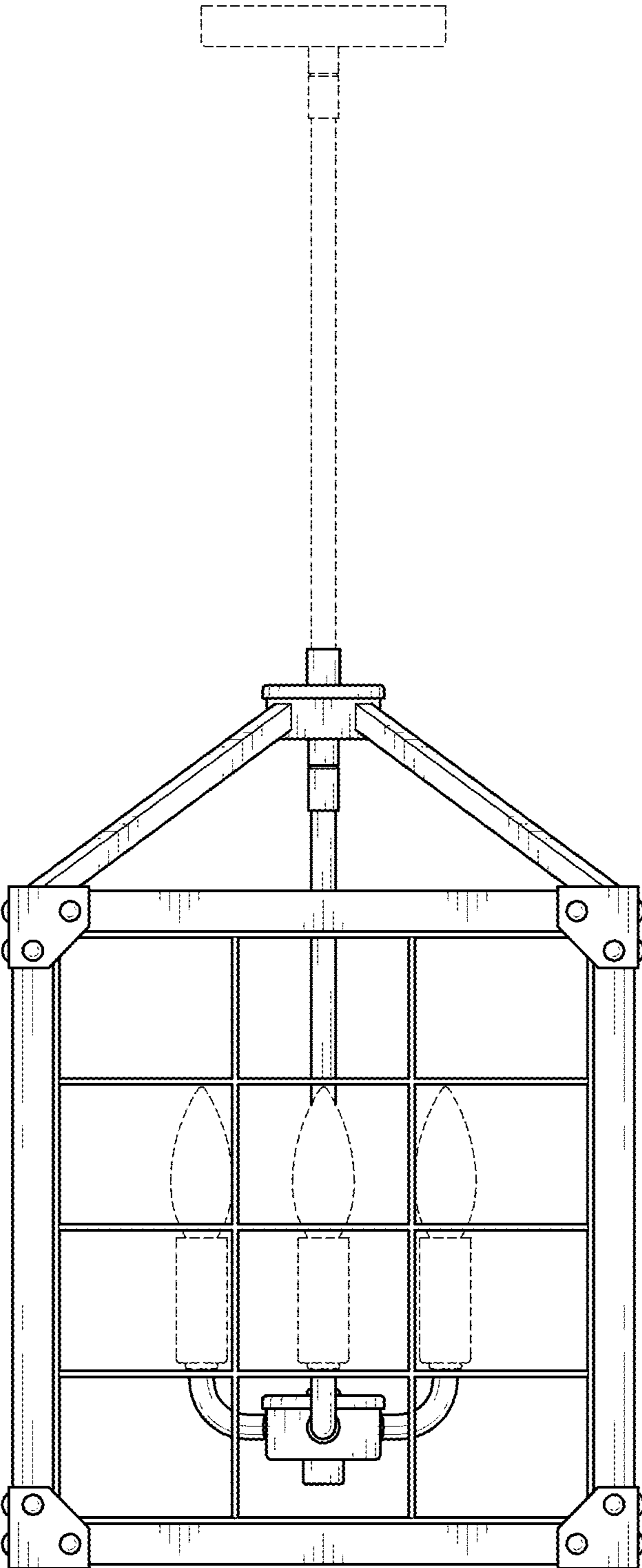


FIG. 5

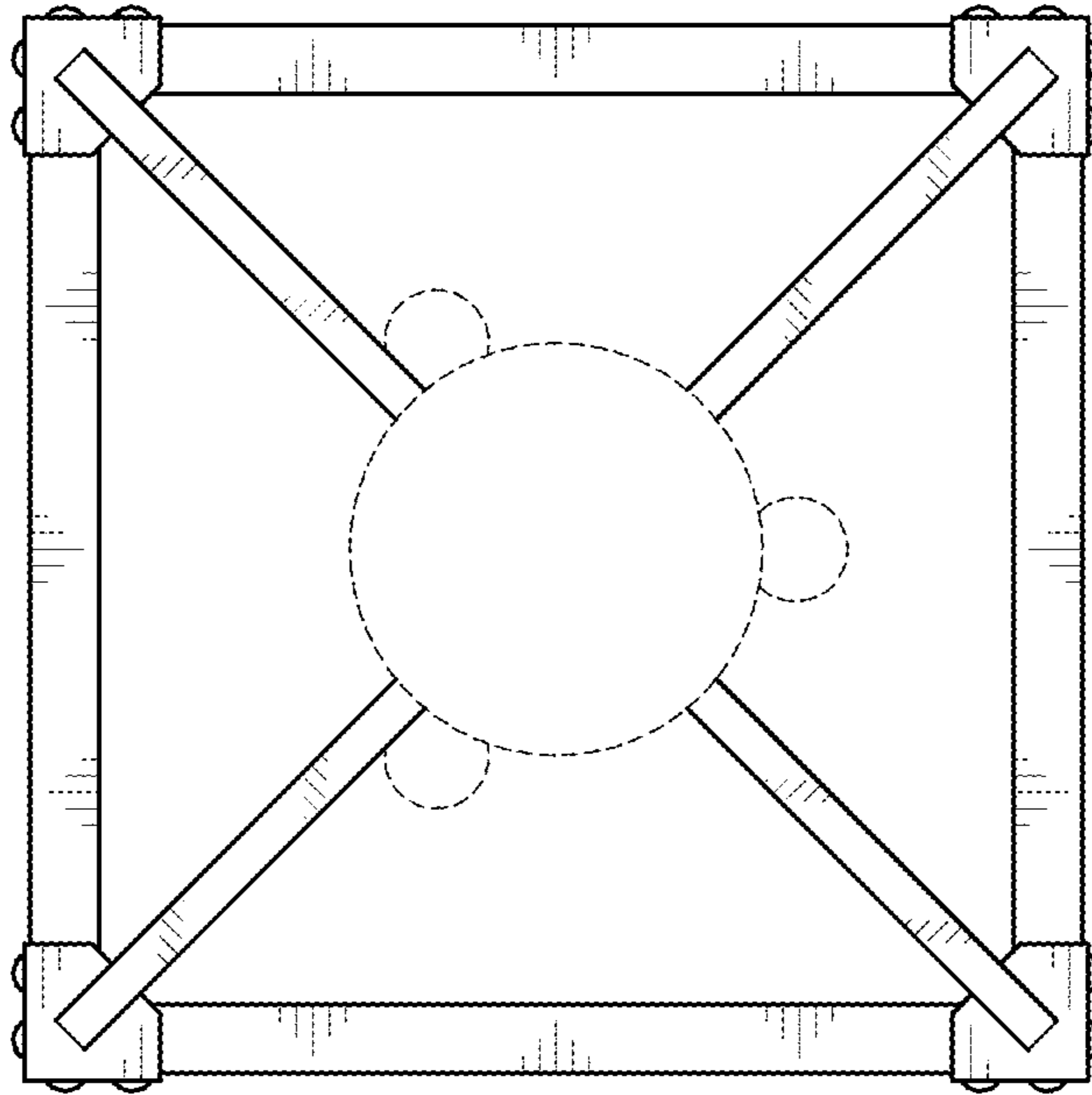


FIG. 6

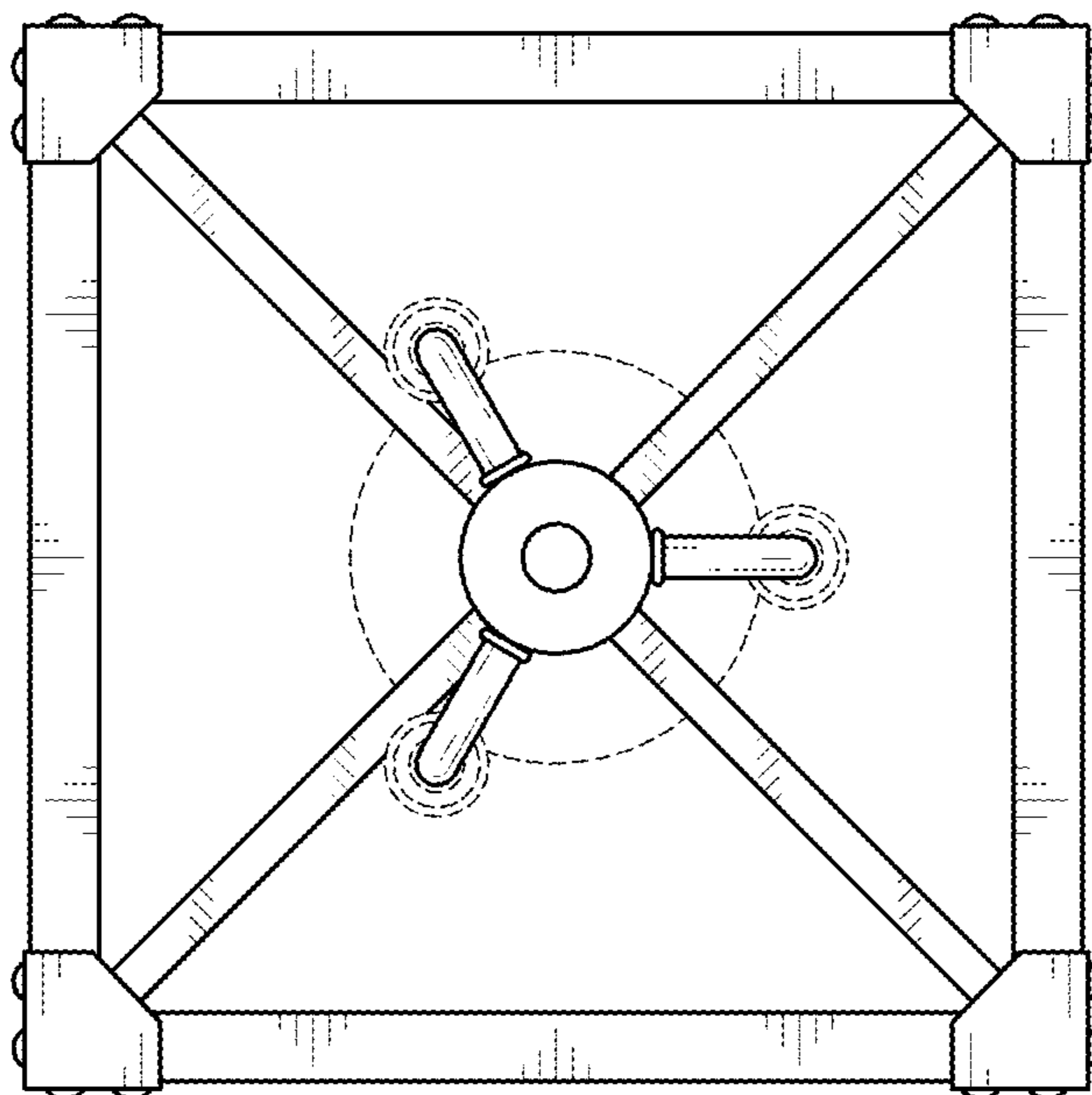


FIG. 7

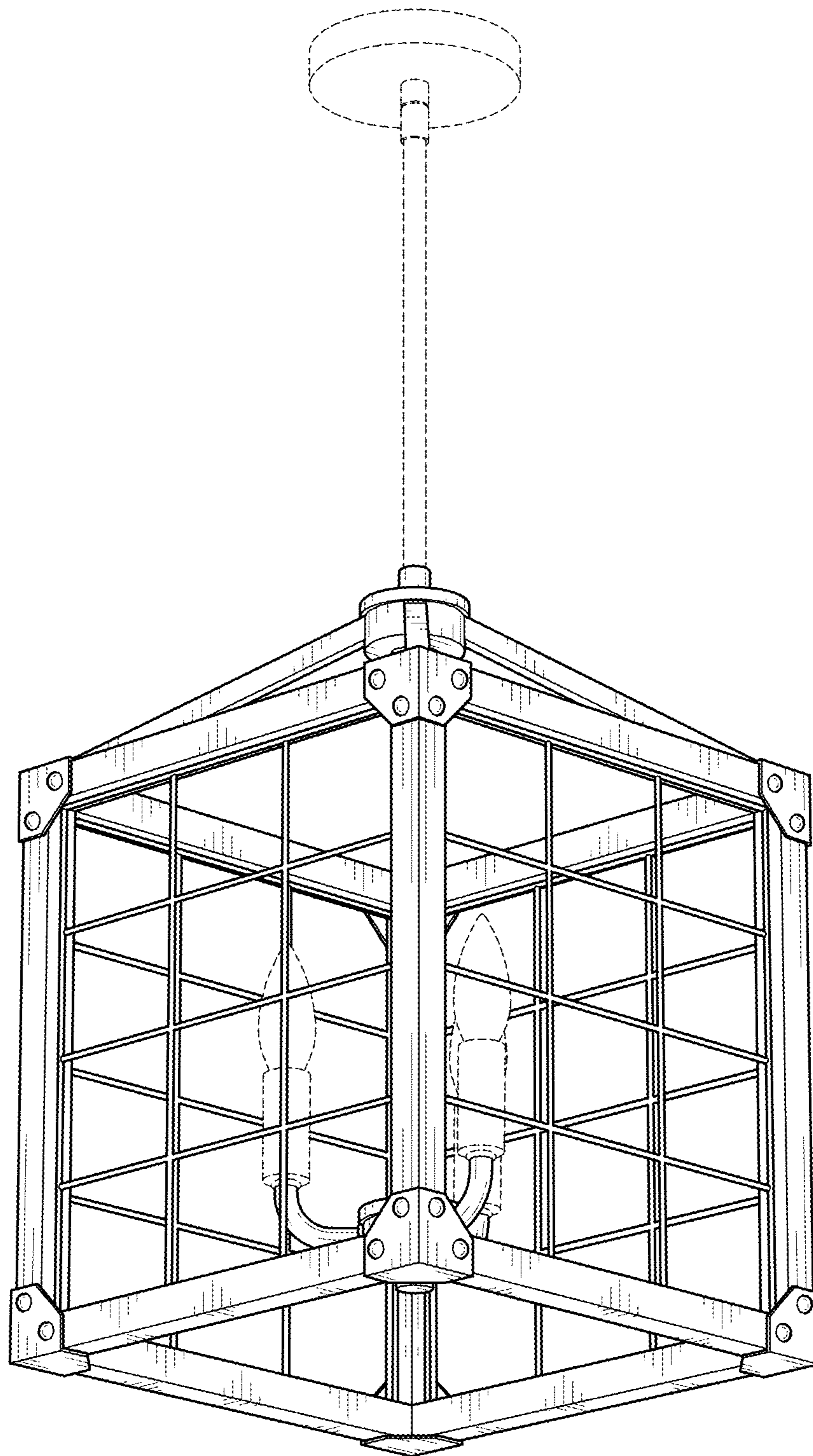


FIG. 8