



US00D887618S

(12) **United States Design Patent**  
**Ng et al.**

(10) **Patent No.:** **US D887,618 S**  
(45) **Date of Patent:** **\*\* \*Jun. 16, 2020**

(54) **LAMP**

(71) Applicant: **Koncept Technologies, Inc.**, Monrovia, CA (US)

(72) Inventors: **Kenneth Ng**, Monrovia, CA (US);  
**Edmund Ng**, Monrovia, CA (US)

(73) Assignee: **KONCEPT TECHNOLOGIES, INC.**, Monrovia, CA (US)

(\*) Notice: This patent is subject to a terminal disclaimer.

(\*\*) Term: **15 Years**

(21) Appl. No.: **29/589,968**

(22) Filed: **Jan. 5, 2017**

(51) **LOC (12) Cl.** ..... **26-03**

(52) **U.S. Cl.**  
USPC ..... **D26/88**

(58) **Field of Classification Search**  
USPC ..... D26/72, 80, 81, 84, 85, 86, 87, 88, 90,  
D26/91, 93, 103-105, 118  
CPC .... F21S 8/043; F21S 8/046; F21S 8/06; F21S  
8/061; F21S 8/063; F21S 8/065; F21S  
8/068; F21S 8/083  
See application file for complete search history.

(56) **References Cited**

**U.S. PATENT DOCUMENTS**

D97,834 S \* 12/1935 Beck ..... D26/131  
D110,639 S \* 7/1938 Guth ..... D26/86

D132,276 S \* 5/1942 Greppin ..... D26/86  
D134,355 S \* 11/1942 Rolph ..... D26/88  
D186,400 S \* 10/1959 Belau ..... D26/84  
D242,943 S \* 1/1977 Lazerson ..... D26/88  
D346,239 S \* 4/1994 Vamberszky ..... D26/118  
D469,562 S \* 1/2003 Crasset ..... D26/90  
D621,087 S \* 8/2010 Nagane ..... D26/86  
D659,886 S \* 5/2012 Wauters ..... D26/90  
D678,588 S \* 3/2013 Fang ..... D26/80  
D797,982 S \* 9/2017 Sonneman ..... D26/88

\* cited by examiner

*Primary Examiner* — Clare E Heflin

(74) *Attorney, Agent, or Firm* — Steins & Associates, P.C.

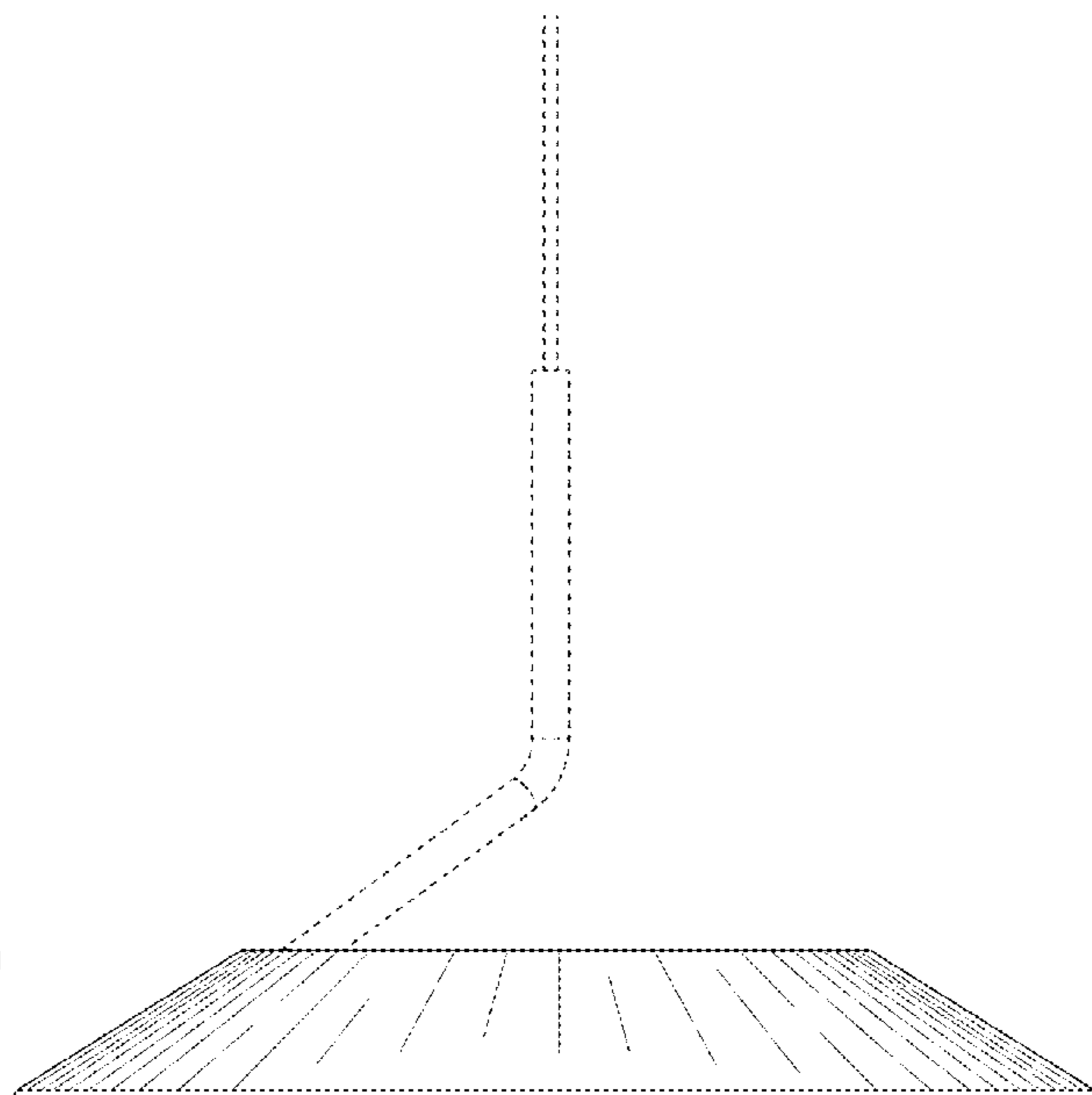
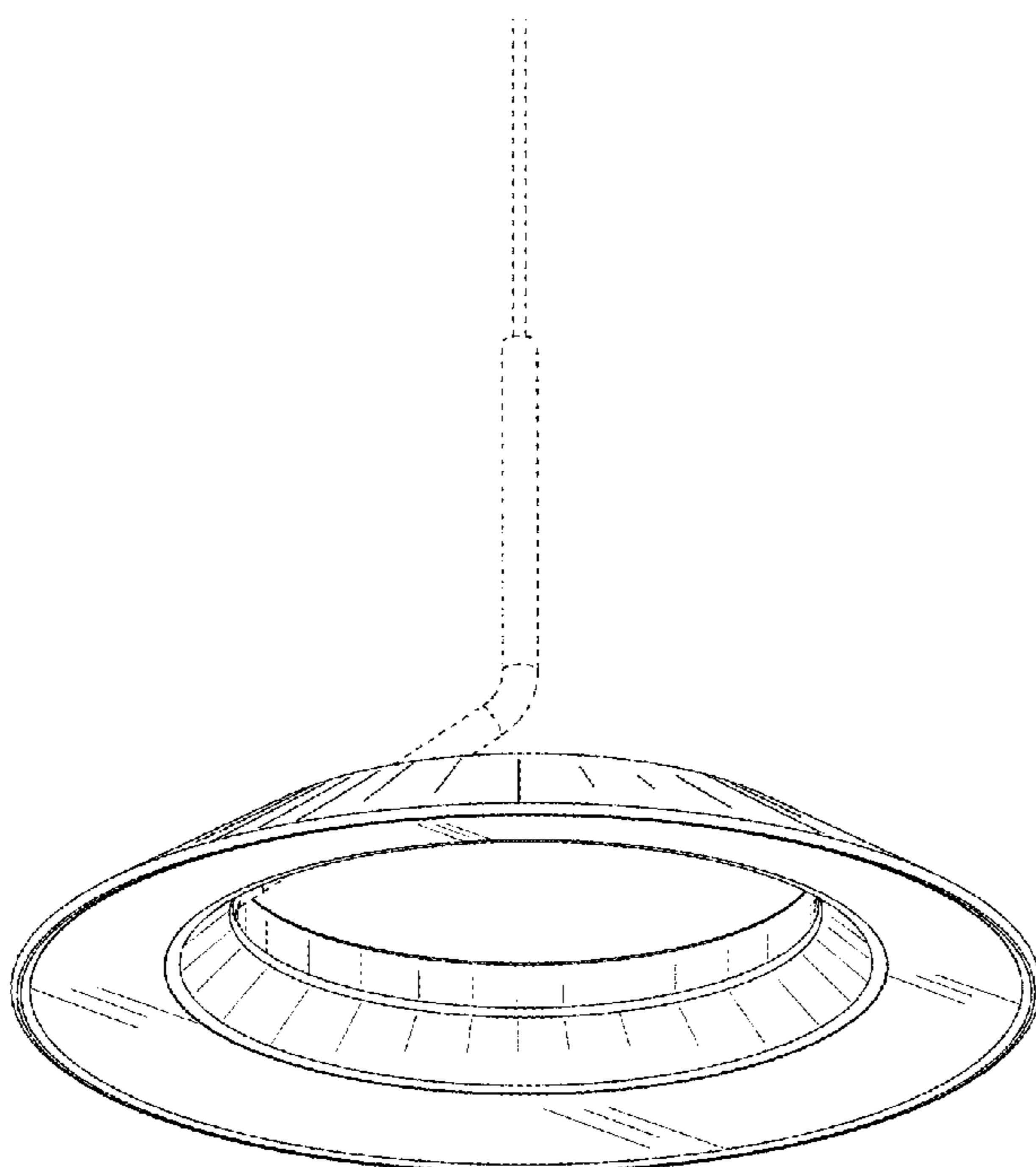
(57) **CLAIM**

What is claimed is the ornamental design for a lamp, as shown and described.

**DESCRIPTION**

FIG. 1 is a bottom perspective view of the lamp;  
FIG. 2 is a left side view thereof;  
FIG. 3 is a right side view thereof;  
FIG. 4 is front view thereof;  
FIG. 5 is a back view thereof;  
FIG. 6 is a top view thereof;  
FIG. 7 is a bottom view thereof; and,  
FIG. 8 is a cutaway left side view thereof.  
The portions of the lamp shown in broken lines form no part of the claimed design.

**1 Claim, 8 Drawing Sheets**



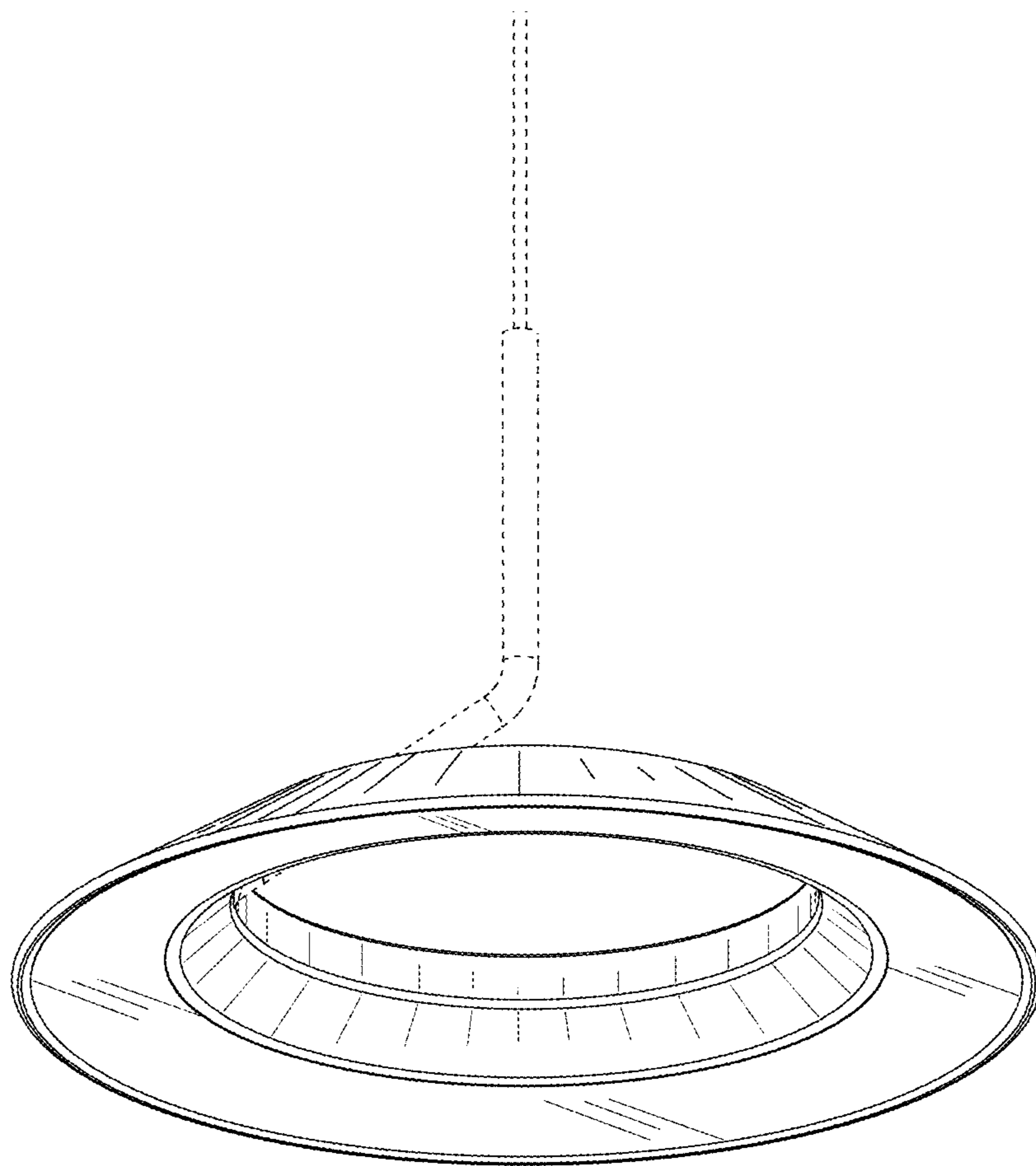


Fig. 1

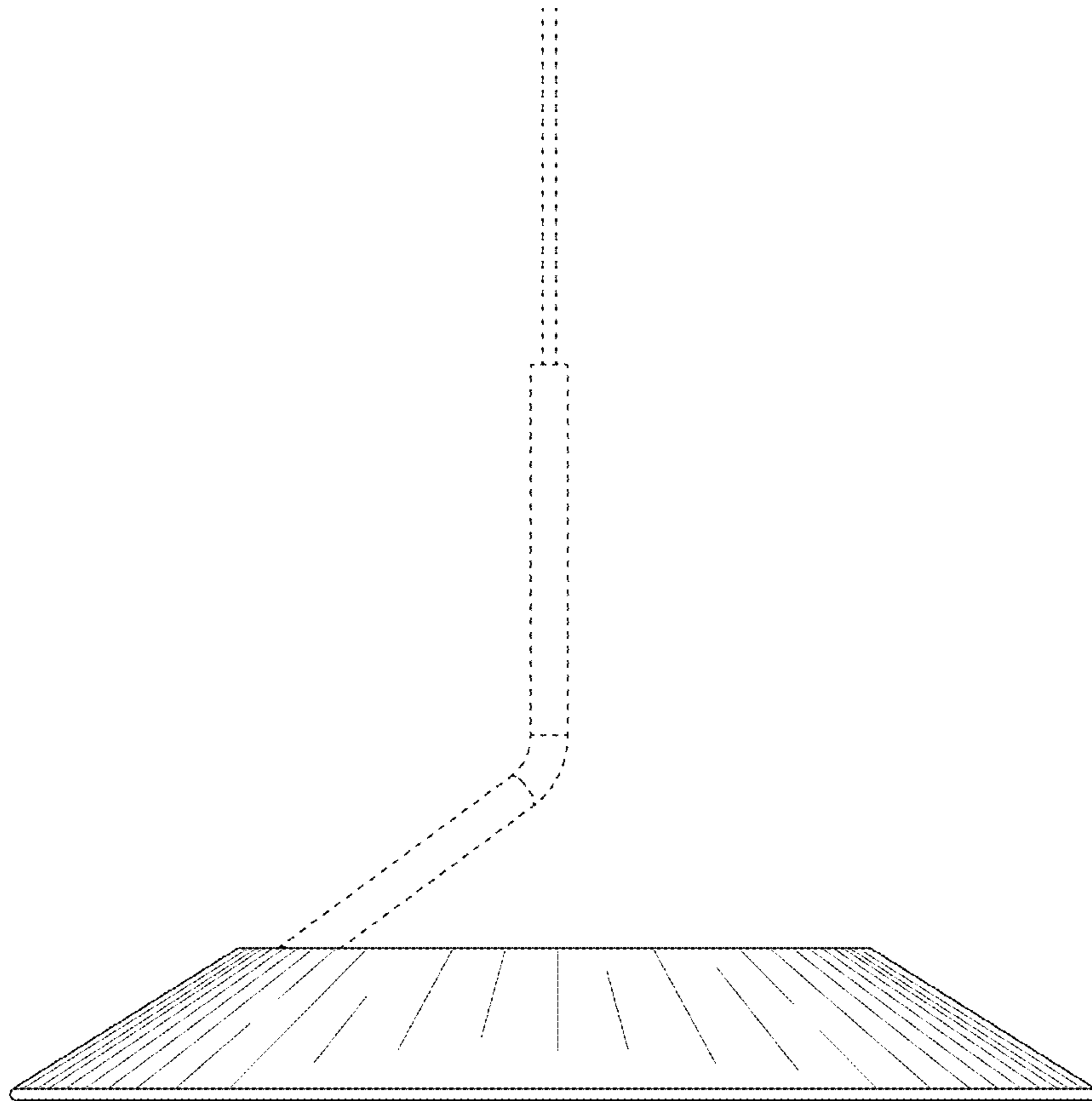


Fig. 2

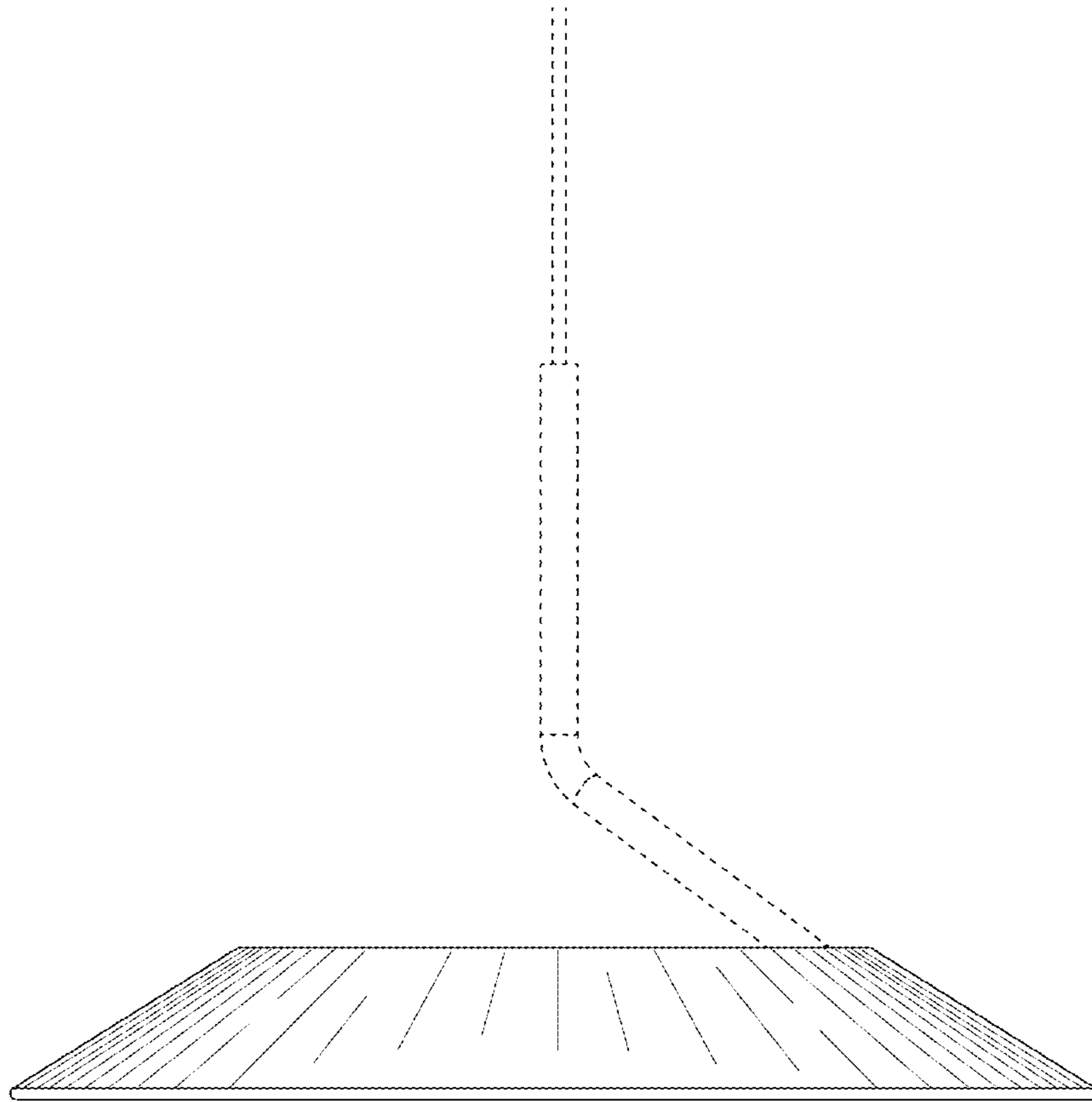


Fig. 3

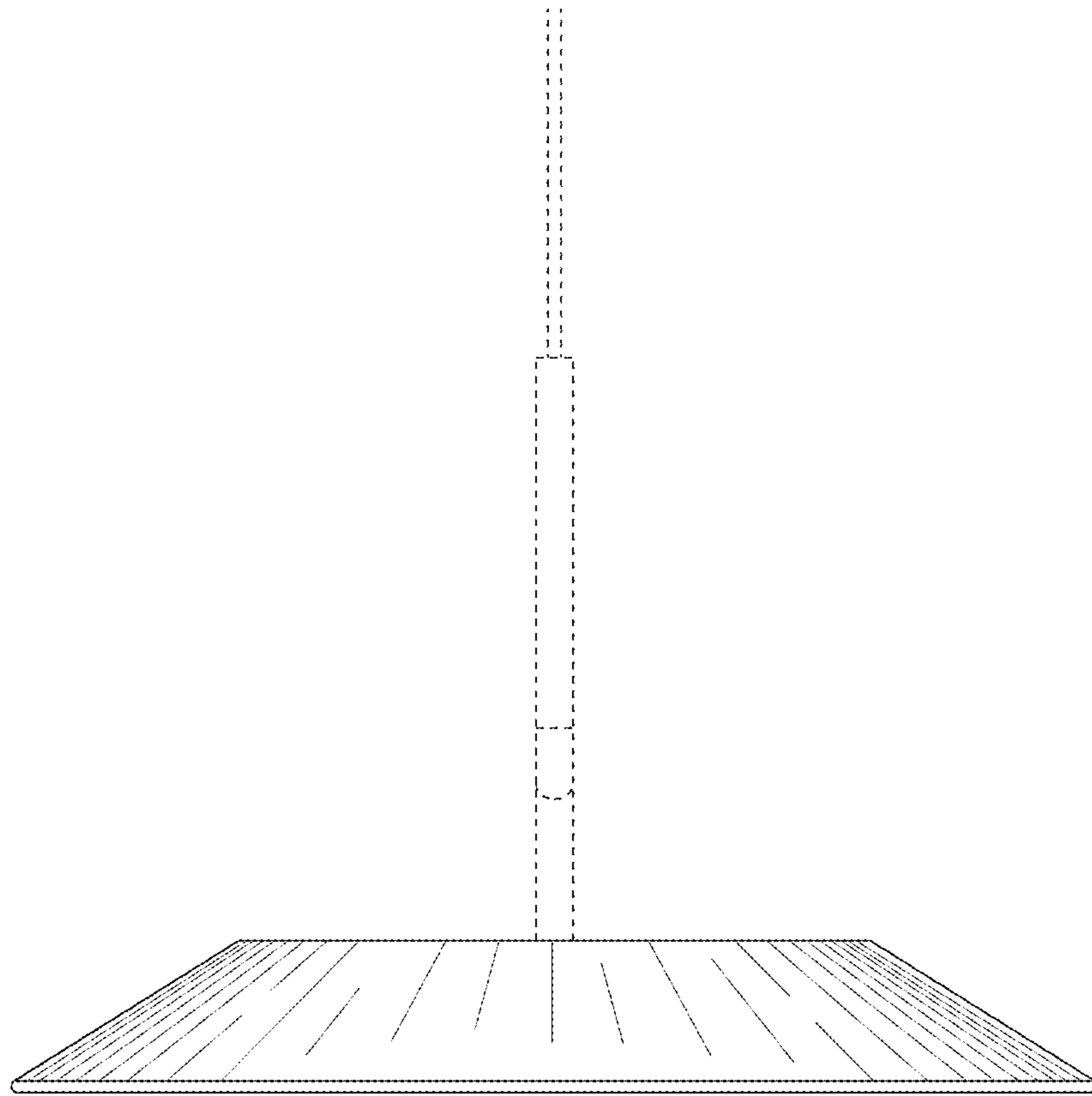


Fig. 4

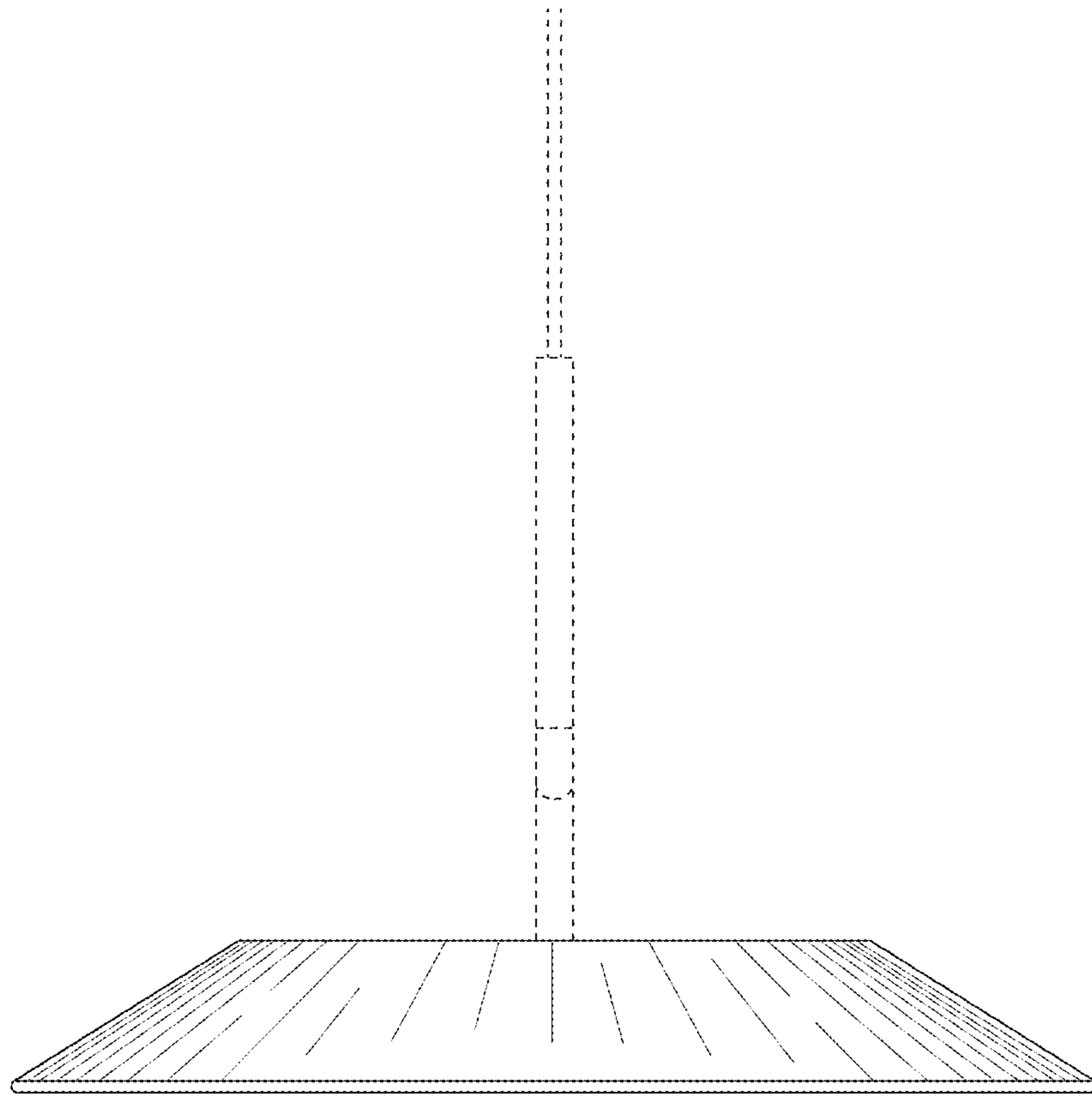


Fig. 5

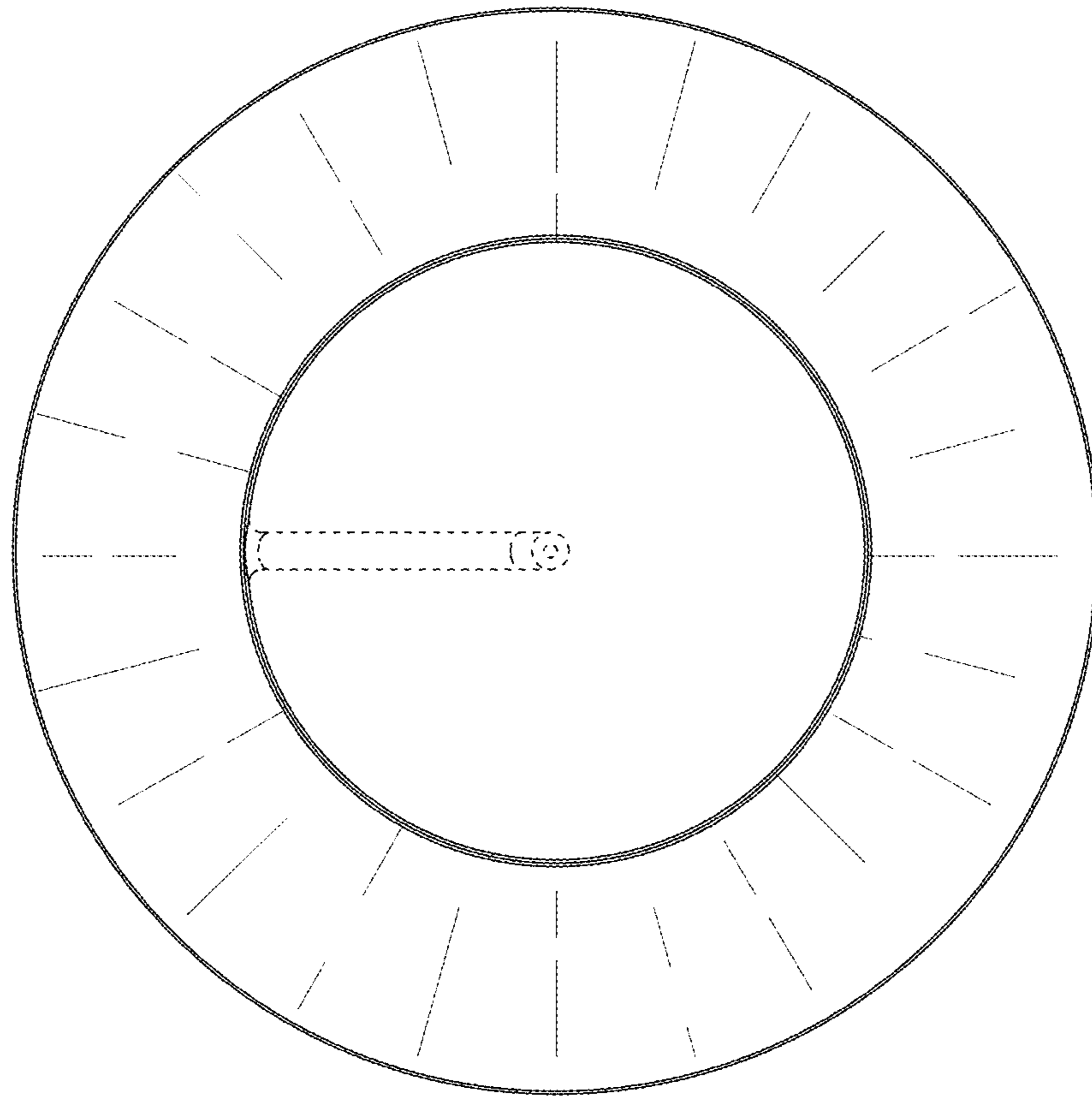


Fig. 6

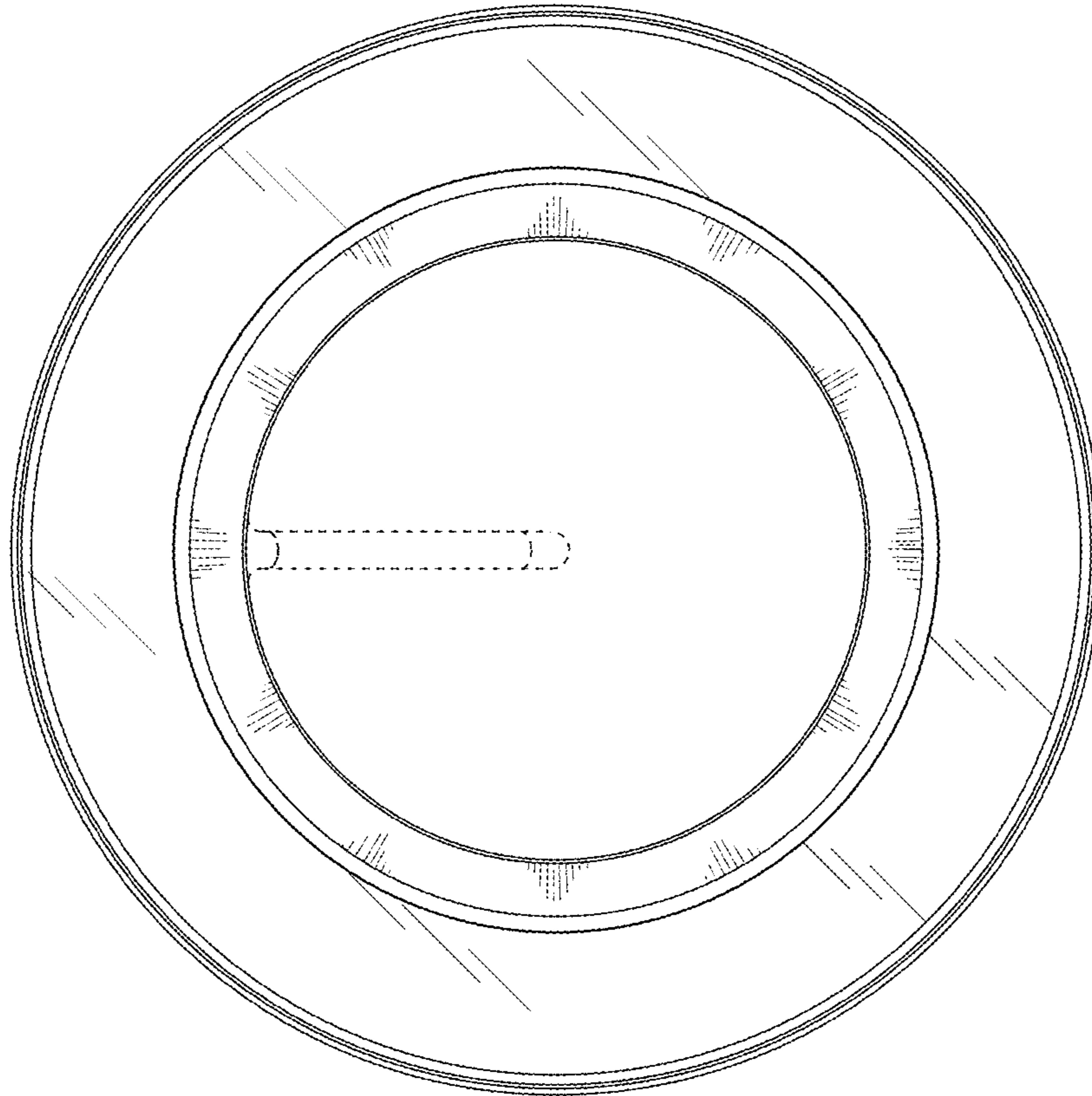


Fig. 7



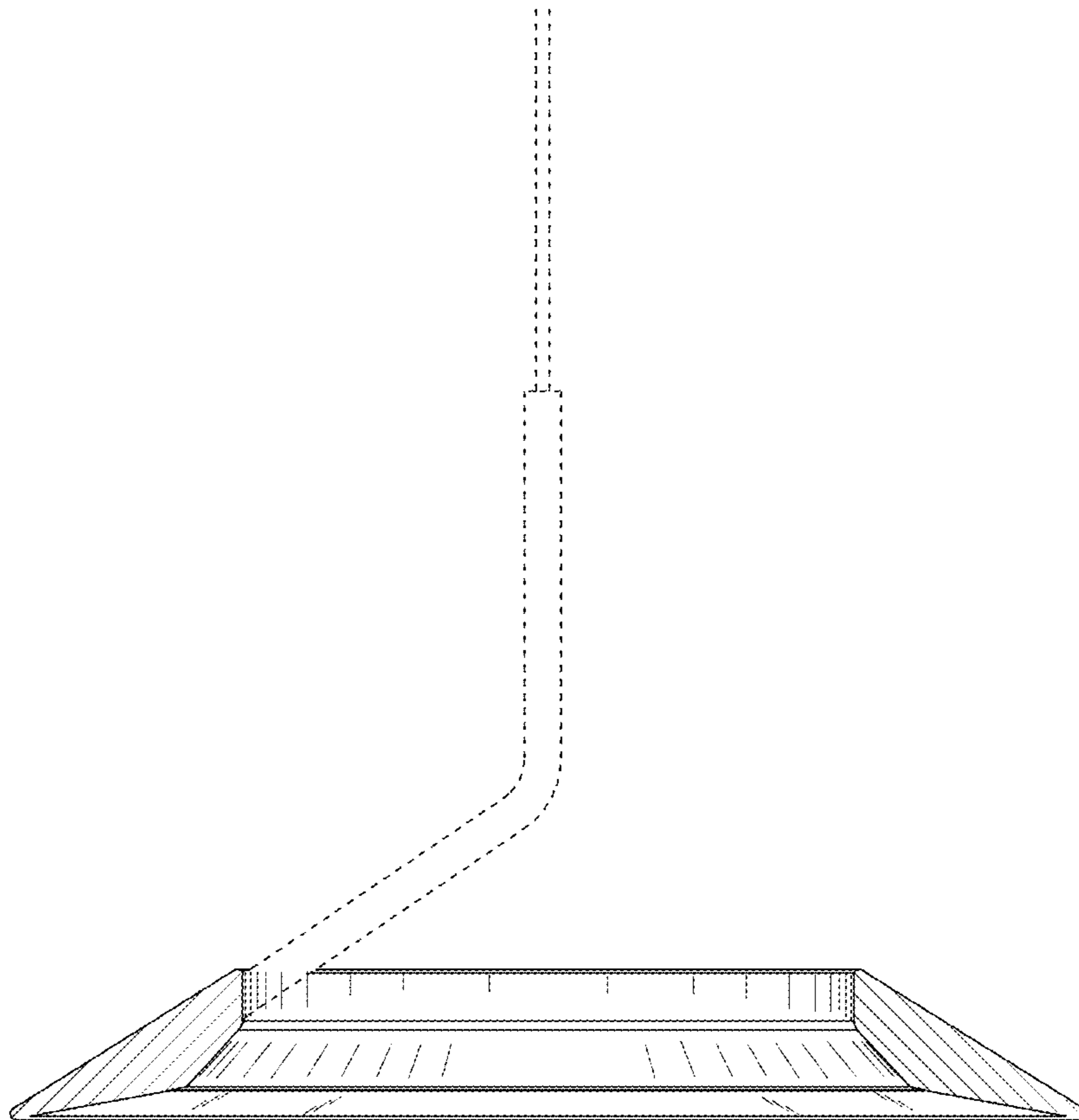


Fig. 8