



US00D887617S

(12) **United States Design Patent**  
**Wang**

(10) **Patent No.:** **US D887,617 S**  
(45) **Date of Patent:** **\*\* Jun. 16, 2020**

(54) **LAMP**

(71) Applicant: **Peng Wang**, Sichuang (CN)

(72) Inventor: **Peng Wang**, Sichuang (CN)

(\*\*) Term: **15 Years**

(21) Appl. No.: **29/723,786**

(22) Filed: **Feb. 10, 2020**

(51) **LOC (12) Cl.** ..... **26-03**

(52) **U.S. Cl.**  
USPC ..... **D26/87; D26/86**

(58) **Field of Classification Search**  
USPC ..... D26/72, 80, 85, 86, 87, 92  
CPC .. F21S 8/033; F21S 8/035; F21S 8/036; F21S  
8/046

See application file for complete search history.

(56) **References Cited**

**U.S. PATENT DOCUMENTS**

D50,861 S *	6/1917	Adam	.....	D26/87
D443,099 S *	5/2001	Williams	.....	D26/87
D448,881 S *	10/2001	Lin	.....	D26/155
D835,324 S *	12/2018	Haubach	.....	D26/86
D845,533 S *	4/2019	Tomlinson	.....	D26/87
D845,534 S *	4/2019	Van Duysen	.....	D26/87
D869,730 S *	12/2019	Lin	.....	D26/80
D870,354 S	12/2019	Arola	.....	
D879,353 S *	3/2020	Lin	.....	D26/87
D879,354 S *	3/2020	Lin	.....	D26/87
D882,149 S *	4/2020	Lin	.....	D26/87
2010/0053957 A1 *	3/2010	Pawelko	.....	F21K 9/20 362/235
2013/0077295 A1 *	3/2013	Hayashi	.....	H05K 1/0271 362/217.05

**OTHER PUBLICATIONS**

Brushed Nickel Kaczmarek 5-Light Vanity Light from the Orren Ellis Shop at wayfair.com as early as Feb. 25, 2019. (Year: 2019).\*  
Possini Euro Wrapped Wire 22" Wide Chrome Vanity Bath Light—Style # T8917 at lampsplus.com as early as Sep. 26, 2018. (Year: 2018).\*  
Possini Euro Coco 28 ½" Wide Chrome 4-Light Bath Light—Style # 1H661 at lampsplus.com as early as Oct. 30, 2017. (Year: 2017).\*  
Possini Euro Design Zatarra 20 ½" Wide Chrome Bath Light—Style # 3V925 at lampsplus.com as early as Jun. 18, 2018. (Year: 2018).\*

\* cited by examiner

*Primary Examiner* — Clare E Heflin

(74) *Attorney, Agent, or Firm* — ZANIP

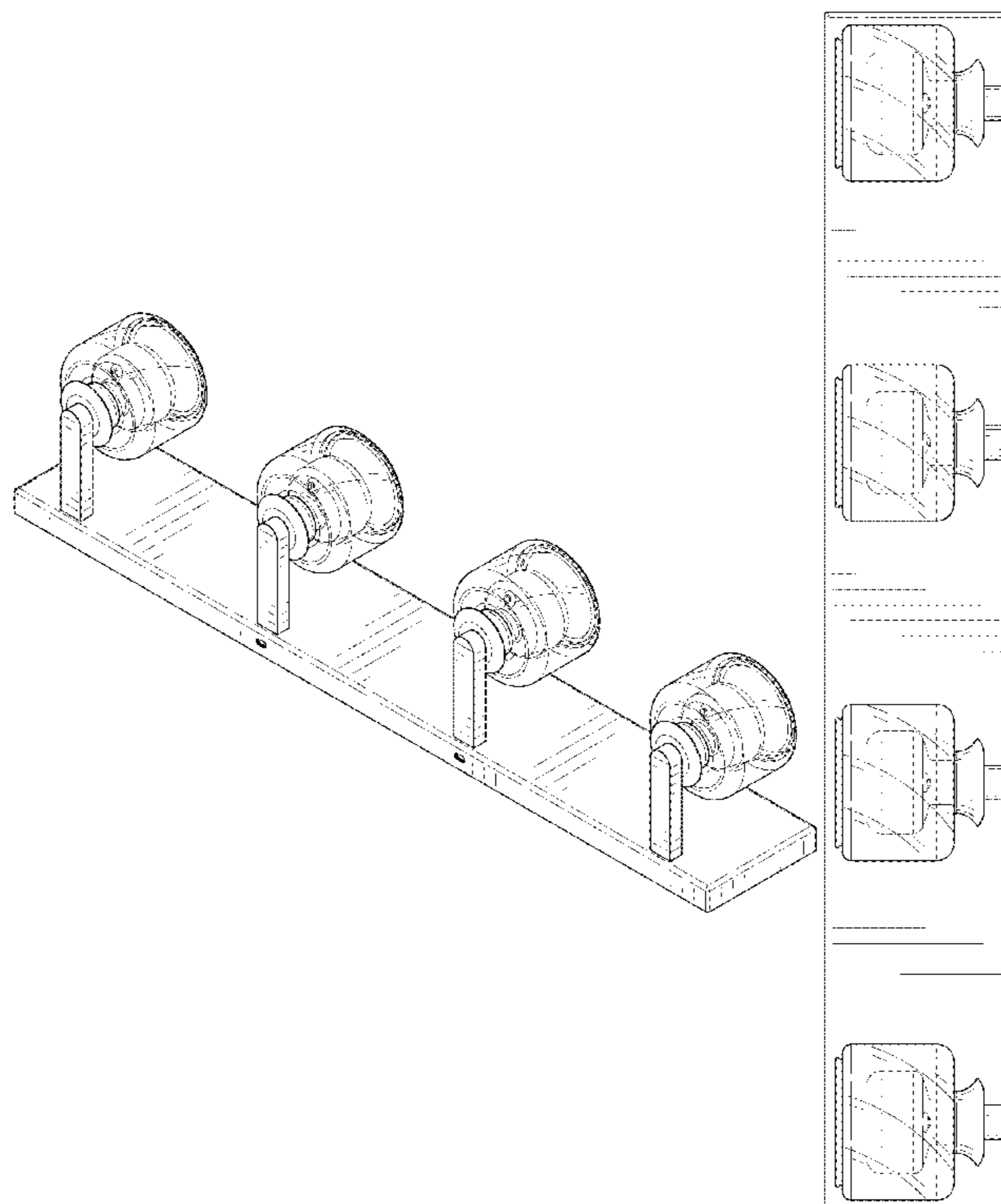
(57) **CLAIM**

The ornamental design for a lamp, as shown and described.

**DESCRIPTION**

FIG. 1 is a bottom rear perspective view of a lamp, showing my new design;  
FIG. 2 is a top front perspective view thereof;  
FIG. 3 is a bottom plan view thereof;  
FIG. 4 is a top plan view thereof;  
FIG. 5 is a rear elevation view thereof;  
FIG. 6 is a front elevation view thereof;  
FIG. 7 is a right side elevation view thereof; and,  
FIG. 8 is a left side elevation view thereof.

**1 Claim, 8 Drawing Sheets**



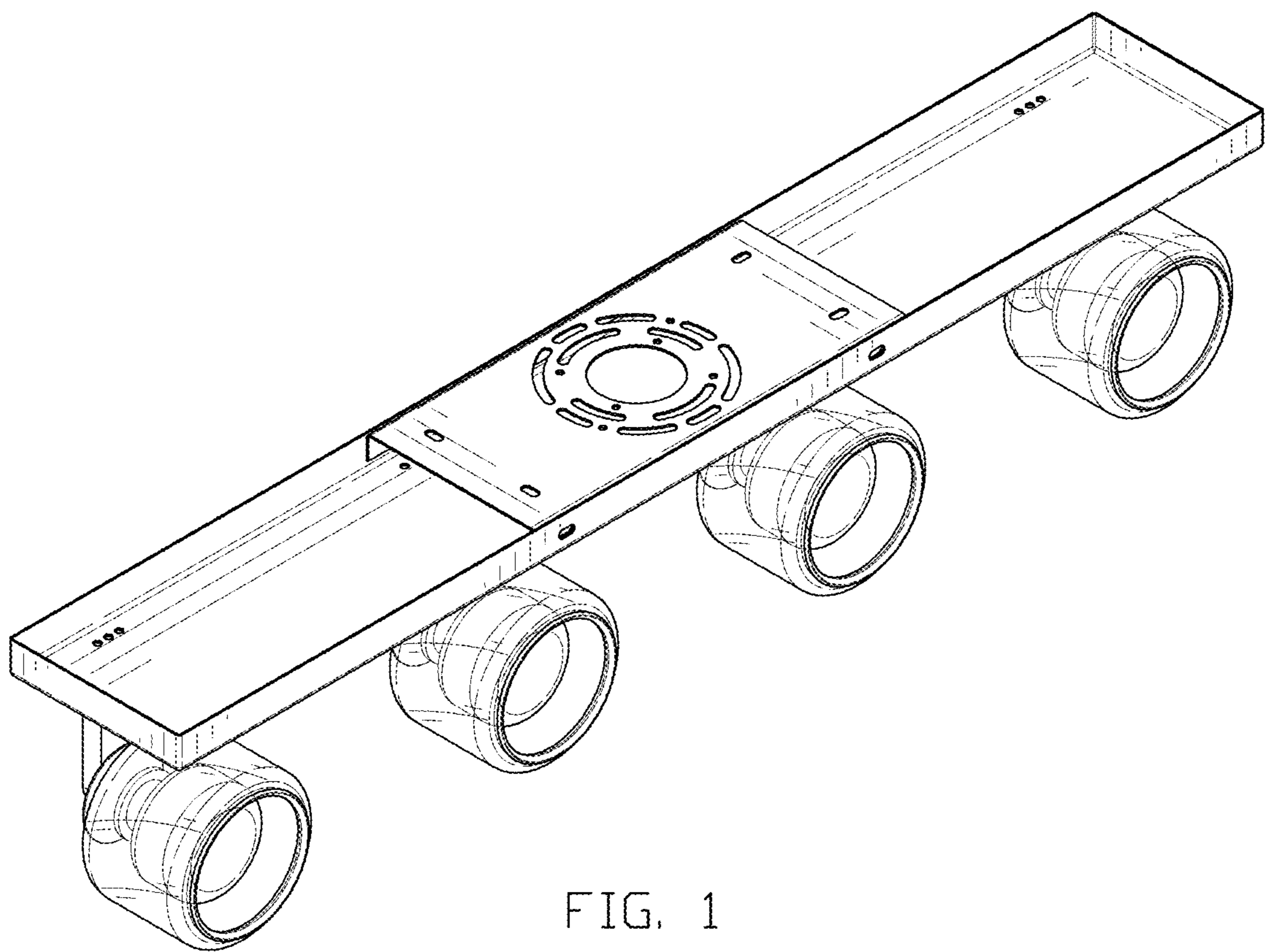


FIG. 1

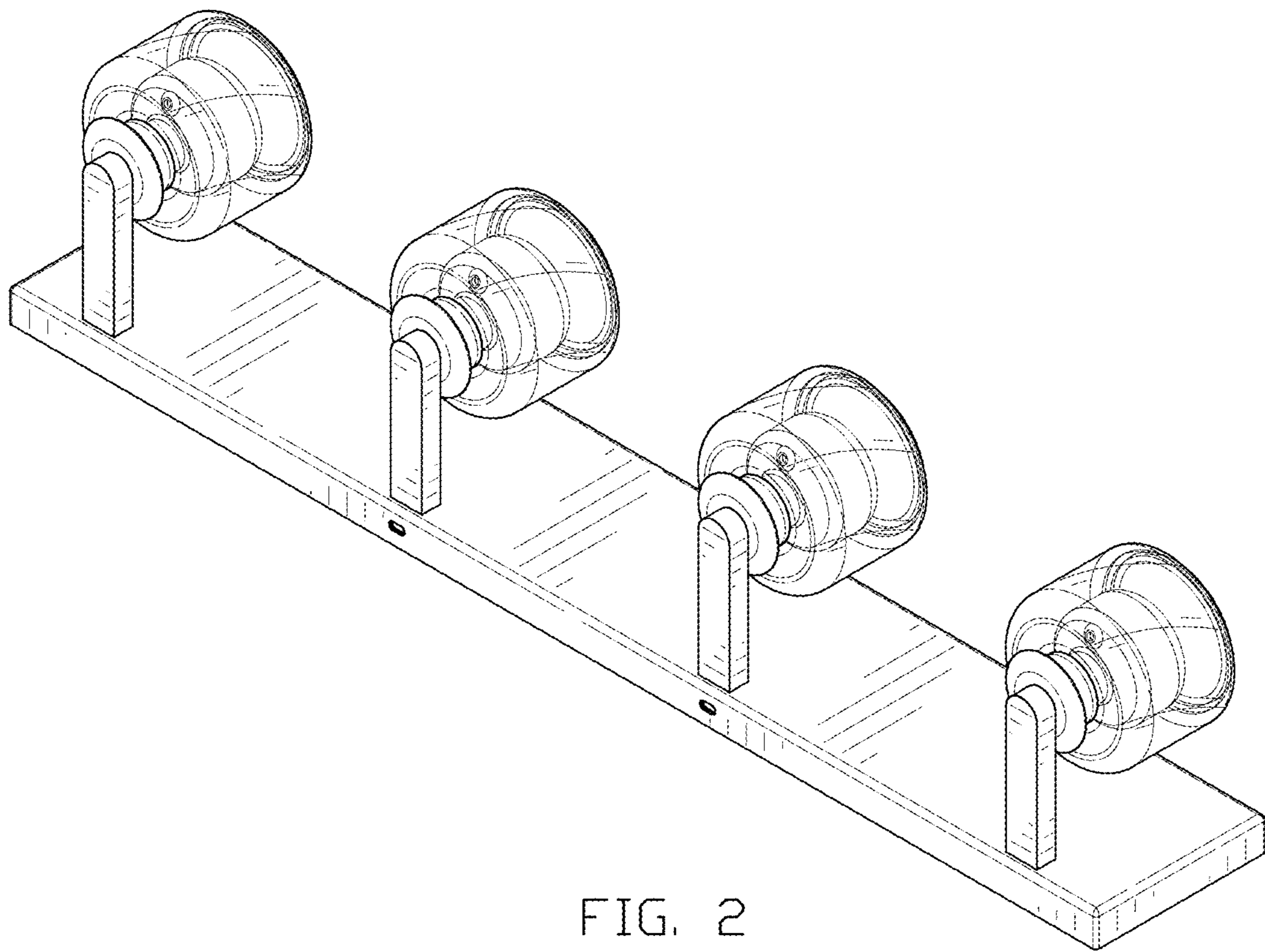


FIG. 2

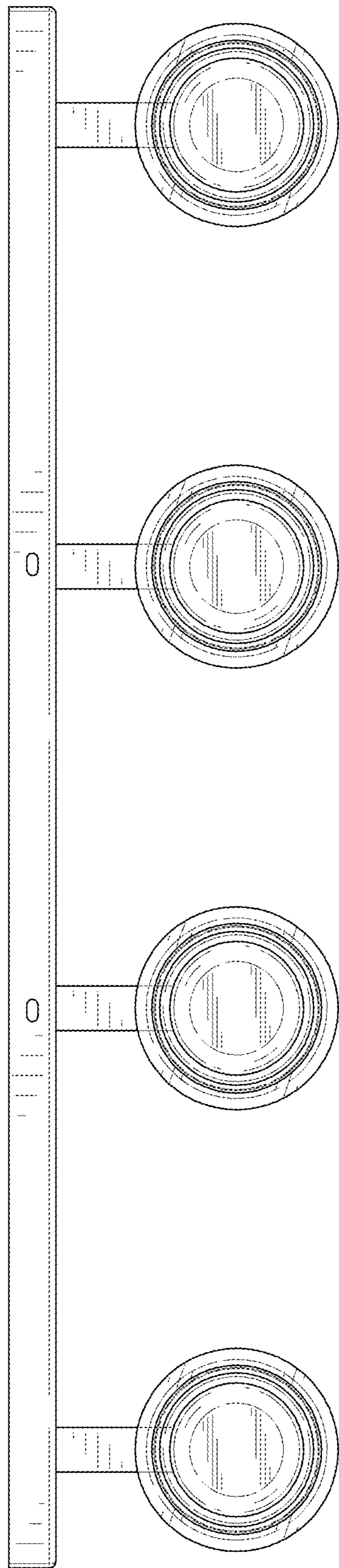


FIG. 3

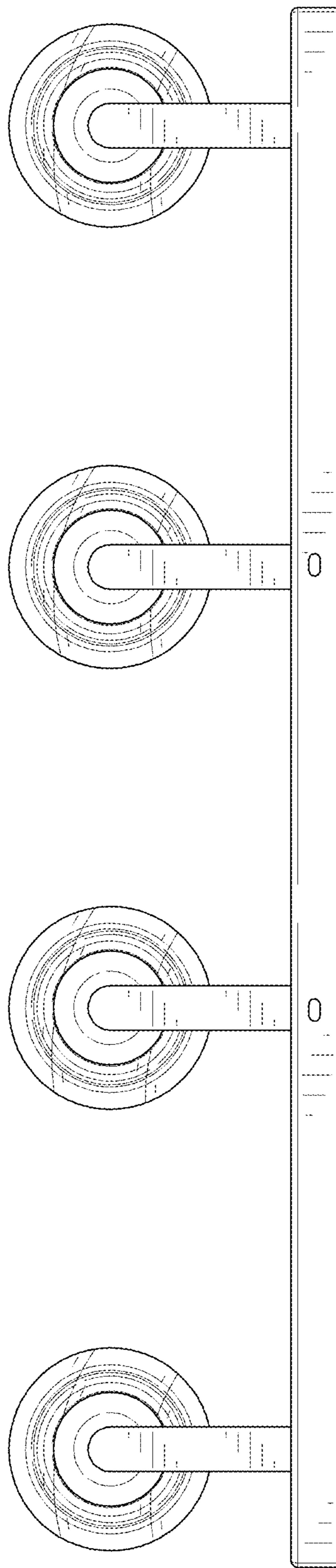


FIG. 4

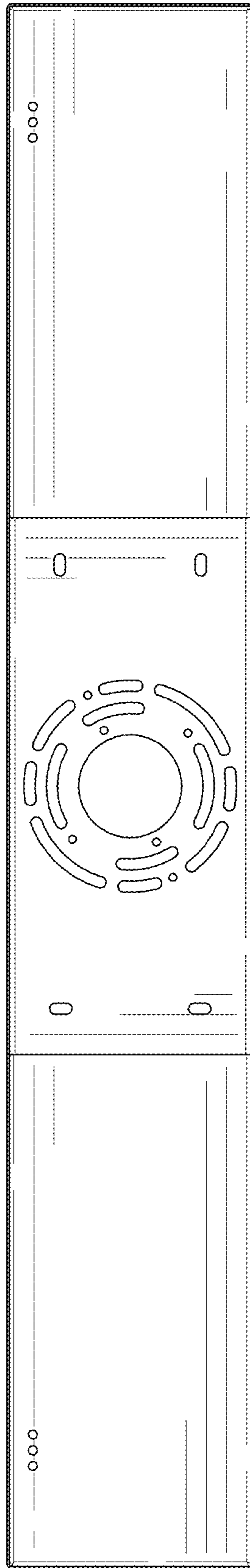


FIG. 5

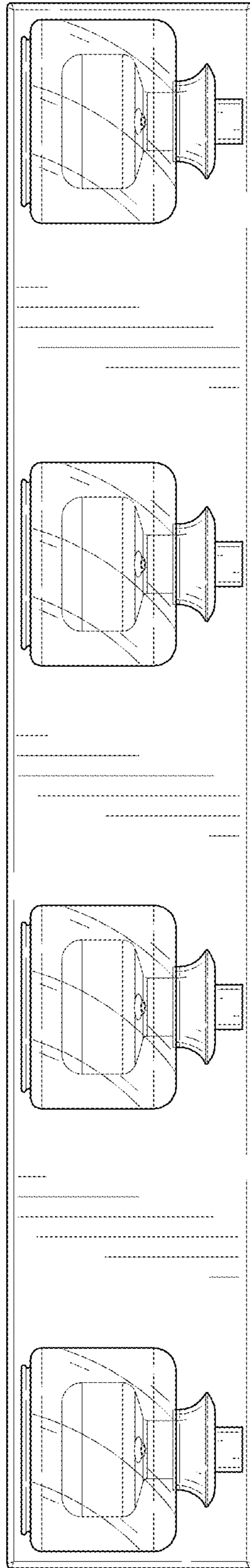


FIG. 6

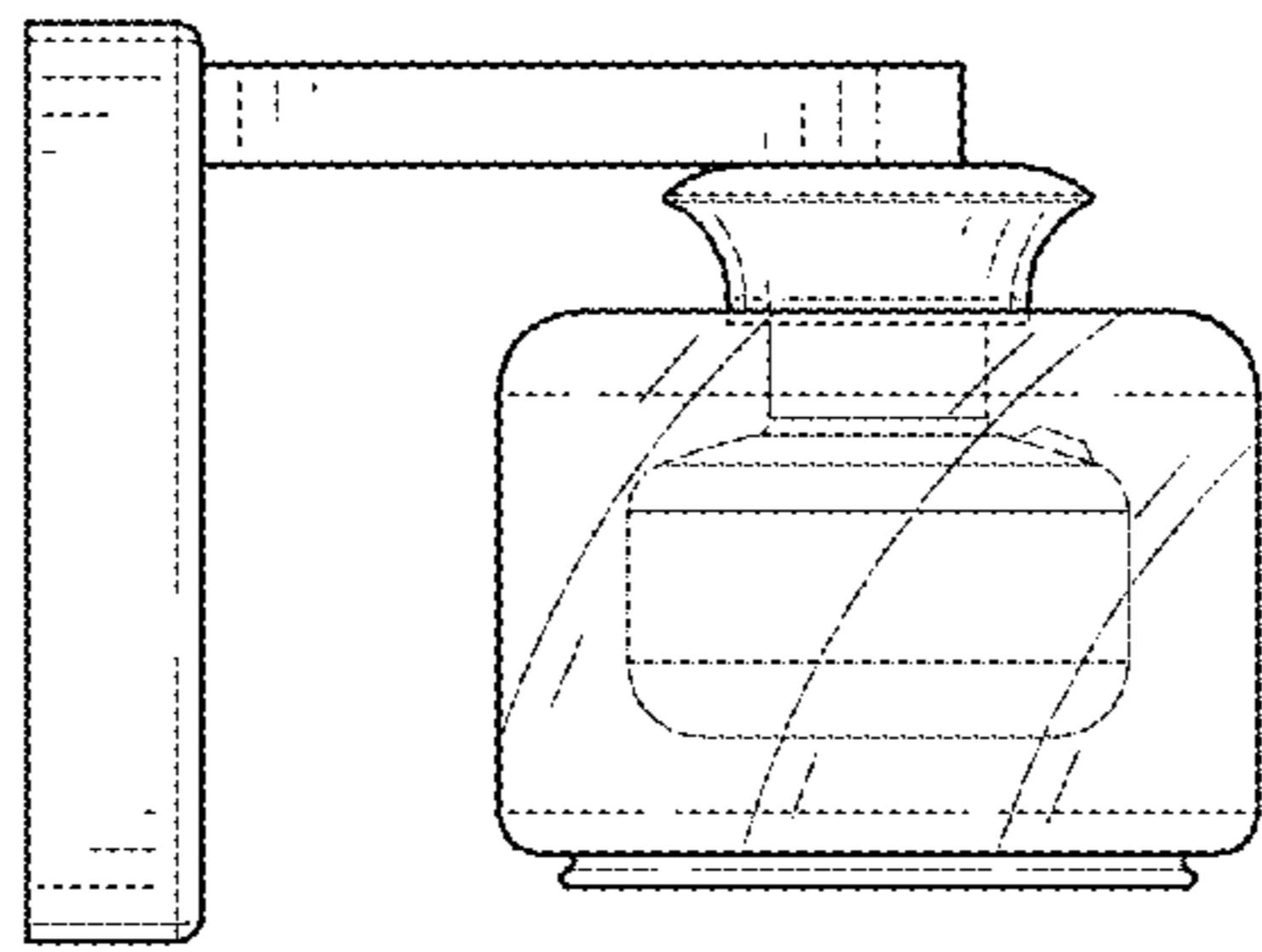


FIG. 7



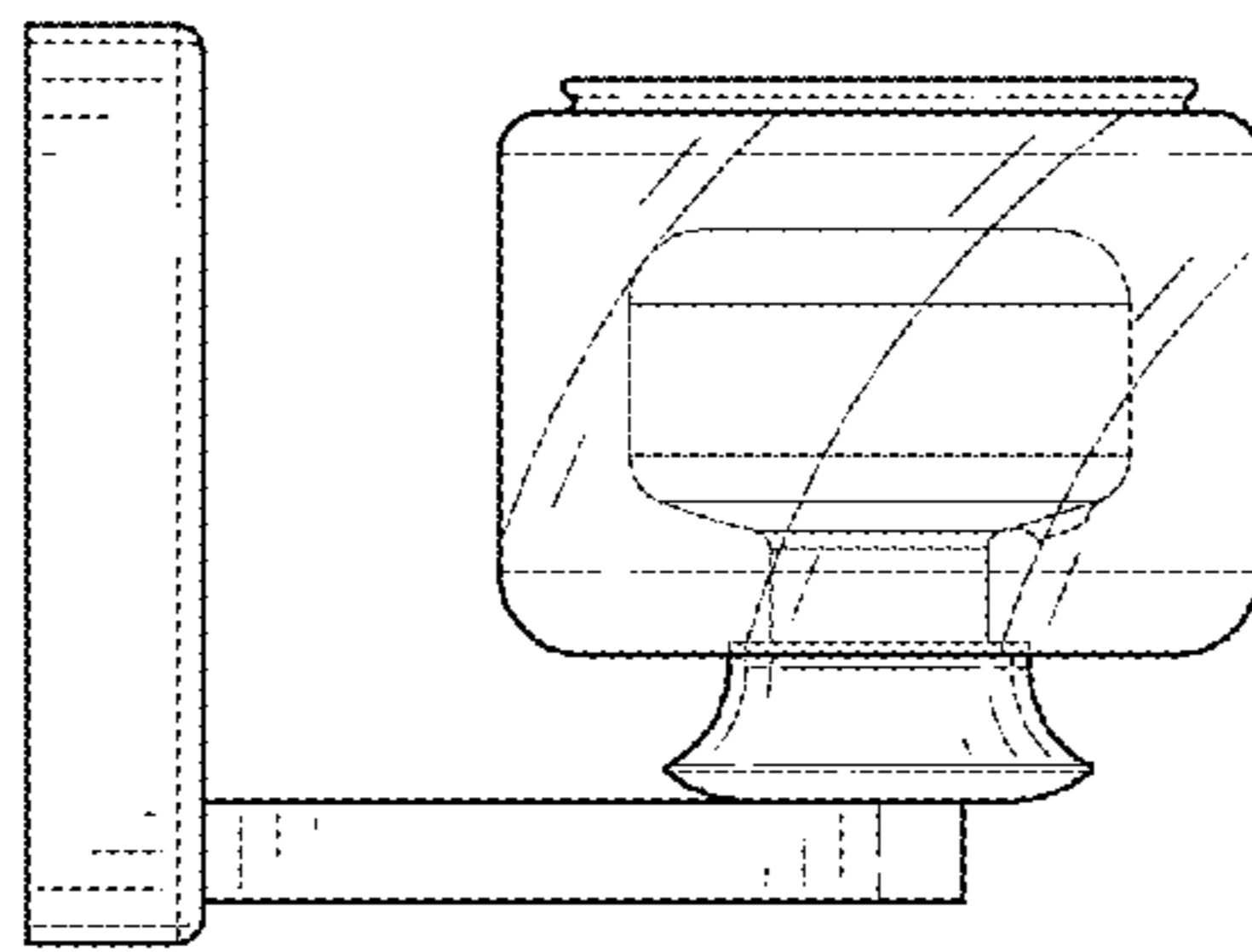


FIG. 8