



US00D887616S

(12) **United States Design Patent** (10) **Patent No.:** **US D887,616 S**  
**Richardson et al.** (45) **Date of Patent:** **\*\* Jun. 16, 2020**

(54) **LIGHT**  
(71) Applicant: **RBW STUDIO, LLC**, Brooklyn, NY (US)  
(72) Inventors: **Theodore Richardson**, Brooklyn, NY (US); **Charles Brill**, Brooklyn, NY (US); **Alexander Williams**, Brooklyn, NY (US)  
(73) Assignee: **RBW Studio, LLC**, Brooklyn, NY (US)  
(\*\*) Term: **15 Years**  
(21) Appl. No.: **29/669,922**  
(22) Filed: **Nov. 13, 2018**  
(51) **LOC (12) Cl.** ..... **26-03**  
(52) **U.S. Cl.**  
USPC ..... **D26/87**  
(58) **Field of Classification Search**  
USPC ..... D26/72, 80, 85, 86, 87, 92, 155, 118  
CPC .. F21S 8/033; F21S 8/035; F21S 8/036; F21S 8/046  
See application file for complete search history.

(56) **References Cited**

**U.S. PATENT DOCUMENTS**

D77,175 S	*	12/1928	McFadden	.....	D26/87
D154,338 S	*	6/1949	Smith	.....	D26/85
D175,700 S	*	9/1955	Waugh	.....	D26/85
D272,477 S	*	1/1984	Schuler	.....	D26/65
D299,762 S	*	2/1989	King	.....	D26/87
D339,203 S	*	9/1993	Namenye	.....	D26/85
D452,031 S	*	12/2001	Brunner	.....	D26/87
D568,525 S	*	5/2008	Chandler	.....	D26/85

(Continued)

**OTHER PUBLICATIONS**

BRIM faceted wall sconce by Rich Brilliant Willing at lumens.com, visited Jan. 30, 2020. (Year: 2020).\*

(Continued)

*Primary Examiner* — Clare E Heflin  
(74) *Attorney, Agent, or Firm* — Saidman DesignLaw Group, LLC

(57) **CLAIM**

The ornamental design for a light, as shown and described.

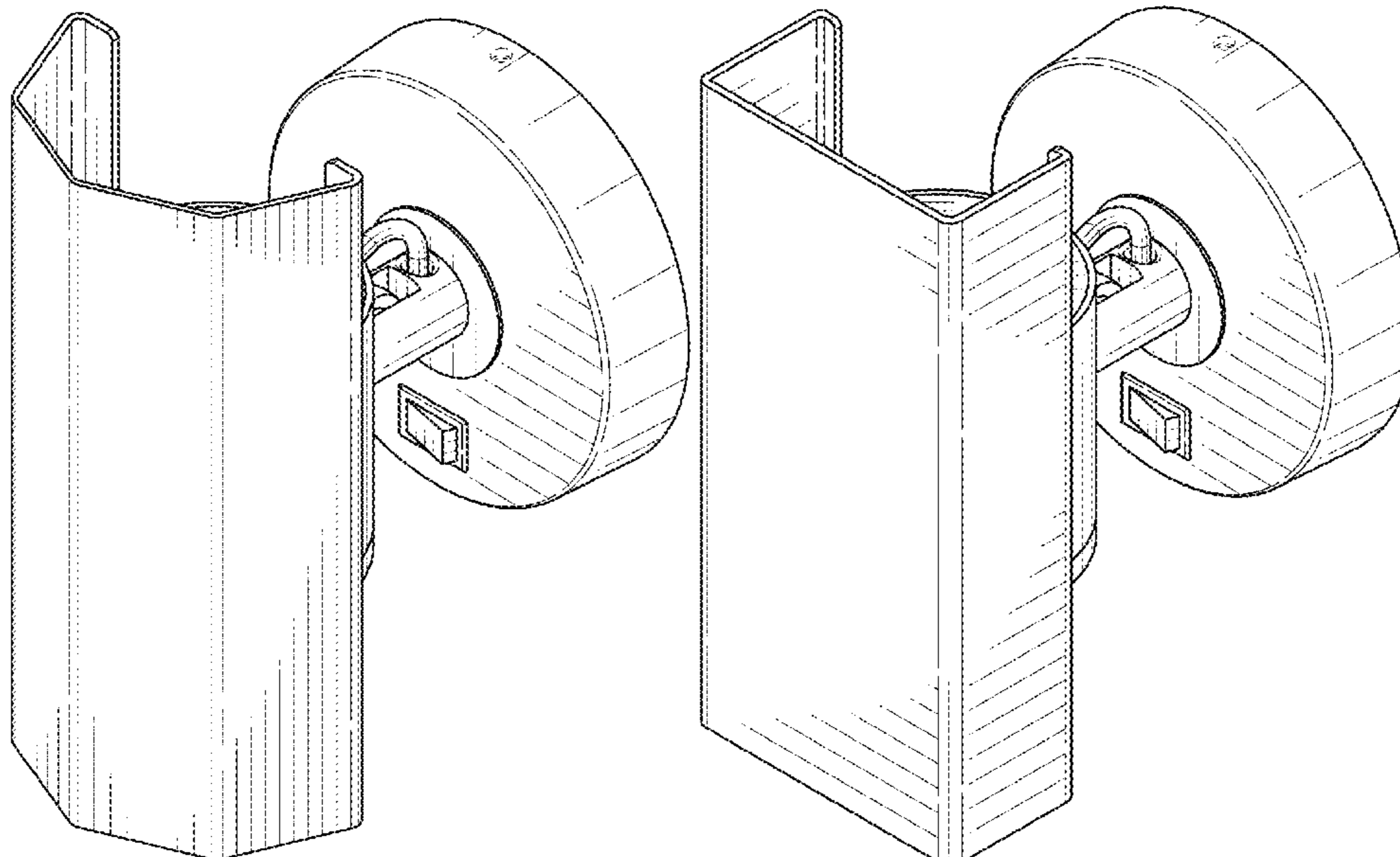
**DESCRIPTION**

FIG. 1 is a perspective view of a light showing our new design;  
FIG. 2 is a front view thereof;  
FIG. 3 is a rear view thereof;  
FIG. 4 is a left side view thereof;  
FIG. 5 is a right side view thereof;  
FIG. 6 is a top view thereof;  
FIG. 7 is a bottom view thereof;  
FIG. 8 is a perspective view of a second embodiment thereof;  
FIG. 9 is a front view thereof;  
FIG. 10 is a rear view thereof;  
FIG. 11 is a left side view thereof;  
FIG. 12 is a right side view thereof;  
FIG. 13 is a top view thereof;  
FIG. 14 is a bottom view thereof;  
FIG. 15 is a perspective view of a third embodiment thereof;  
FIG. 16 is a front view thereof;  
FIG. 17 is a rear view thereof;  
FIG. 18 is a left side view thereof;  
FIG. 19 is a right side view thereof;  
FIG. 20 is a top view thereof; and,  
FIG. 21 is a bottom view thereof.

The broken lines illustrate structure or features which form no part of the claimed design.

The drawings include surface shading which illustrates contour and not surface ornamentation.

**1 Claim, 12 Drawing Sheets**



(56)

**References Cited**

U.S. PATENT DOCUMENTS

D590,088	S *	4/2009	Dworschak .....	D26/85
D617,034	S *	6/2010	Compton .....	D26/85
D638,977	S *	5/2011	Heyrman .....	D26/85
D639,995	S *	6/2011	Compton .....	D26/85
D662,251	S *	6/2012	Wauters .....	D26/85
D664,702	S *	7/2012	Senkyr .....	D26/85
D749,774	S *	2/2016	Provitola .....	D26/118
D749,775	S *	2/2016	Provitola .....	D26/118
D751,239	S *	3/2016	Chen .....	D26/118
D765,300	S *	8/2016	Couture .....	D26/85
D774,682	S *	12/2016	Chen .....	D26/85
D828,946	S *	9/2018	McVey .....	D26/85
D836,825	S *	12/2018	Formel .....	D26/118
2009/0040774	A1 *	2/2009	Avila .....	F21V 21/28 362/371
2017/0059132	A1 *	3/2017	Chien .....	F21V 5/04

OTHER PUBLICATIONS

Scantling Wall Light by Marset at lumens.com, visited Jan. 30, 2020. (Year: 2020).\*

Mitra Compact Swing Right Wall Sconce by Robert Sonneman, from Sonneman Lighting at lumens.com, visited Jan. 30, 2020. (Year: 2020).\*

Polo a LED Wall Sconce by Joan Gaspar, from Marset at lumens.com, visited Jan. 30, 2020. (Year: 2020).\*

\* cited by examiner

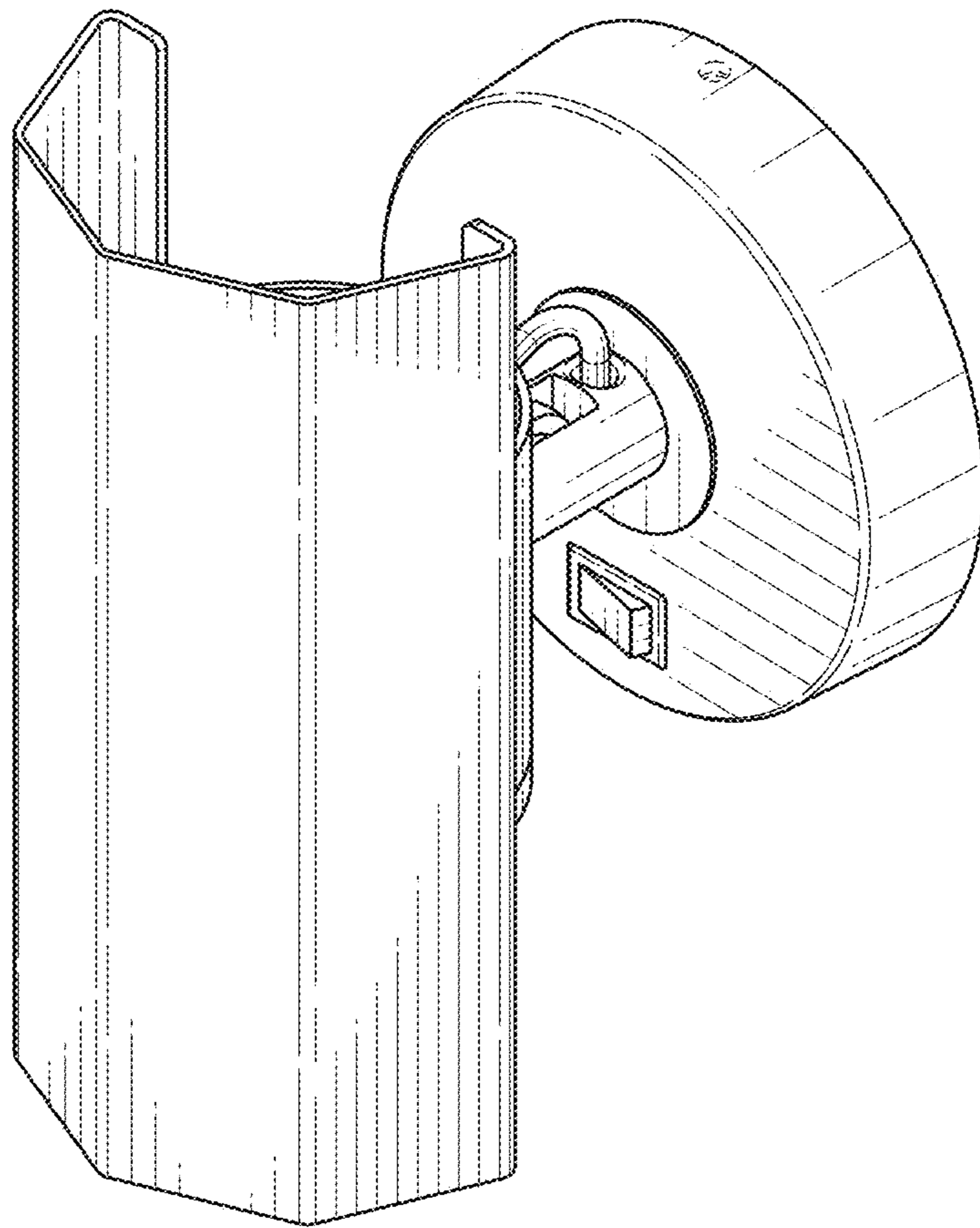


FIG. 1

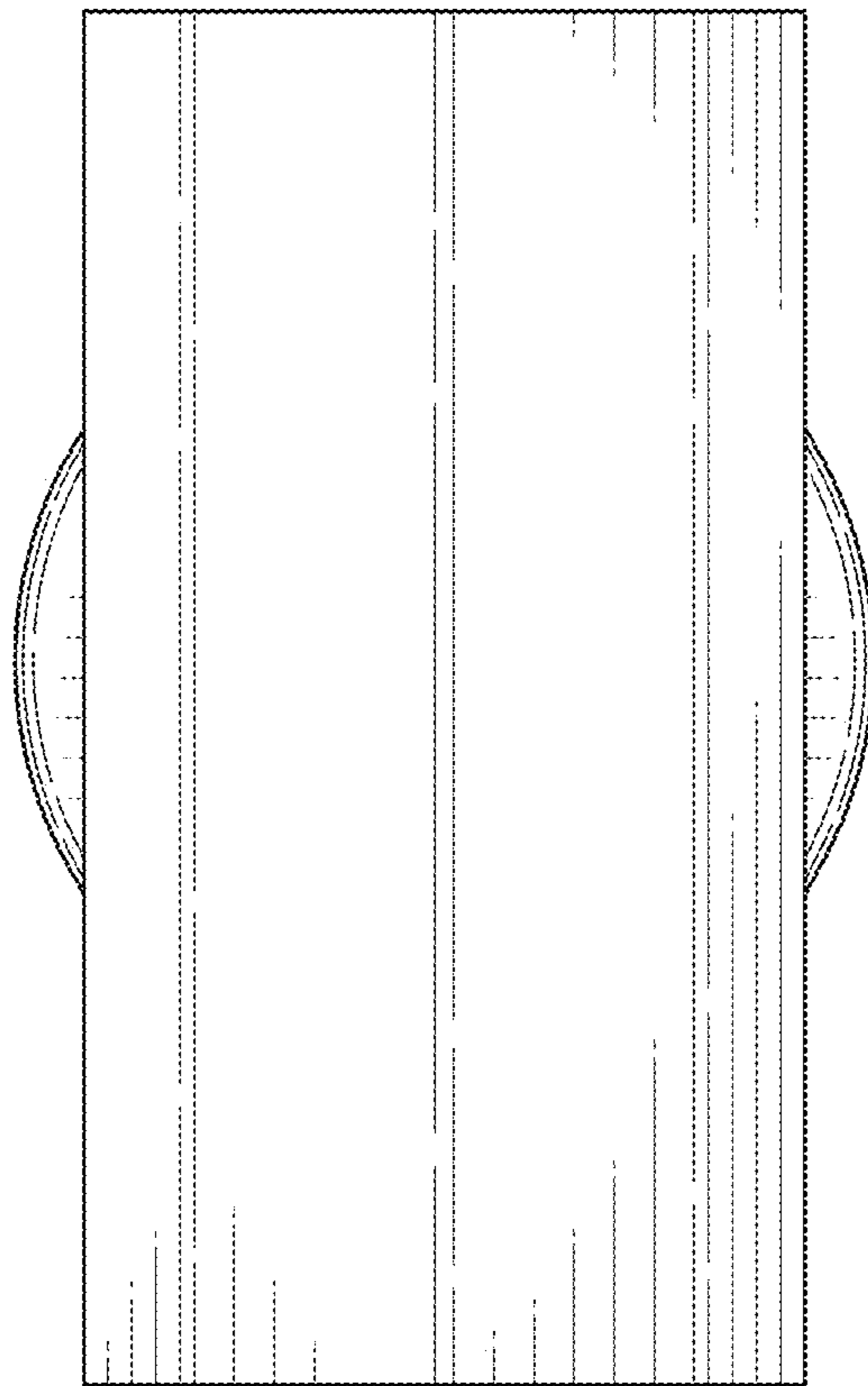


FIG. 2

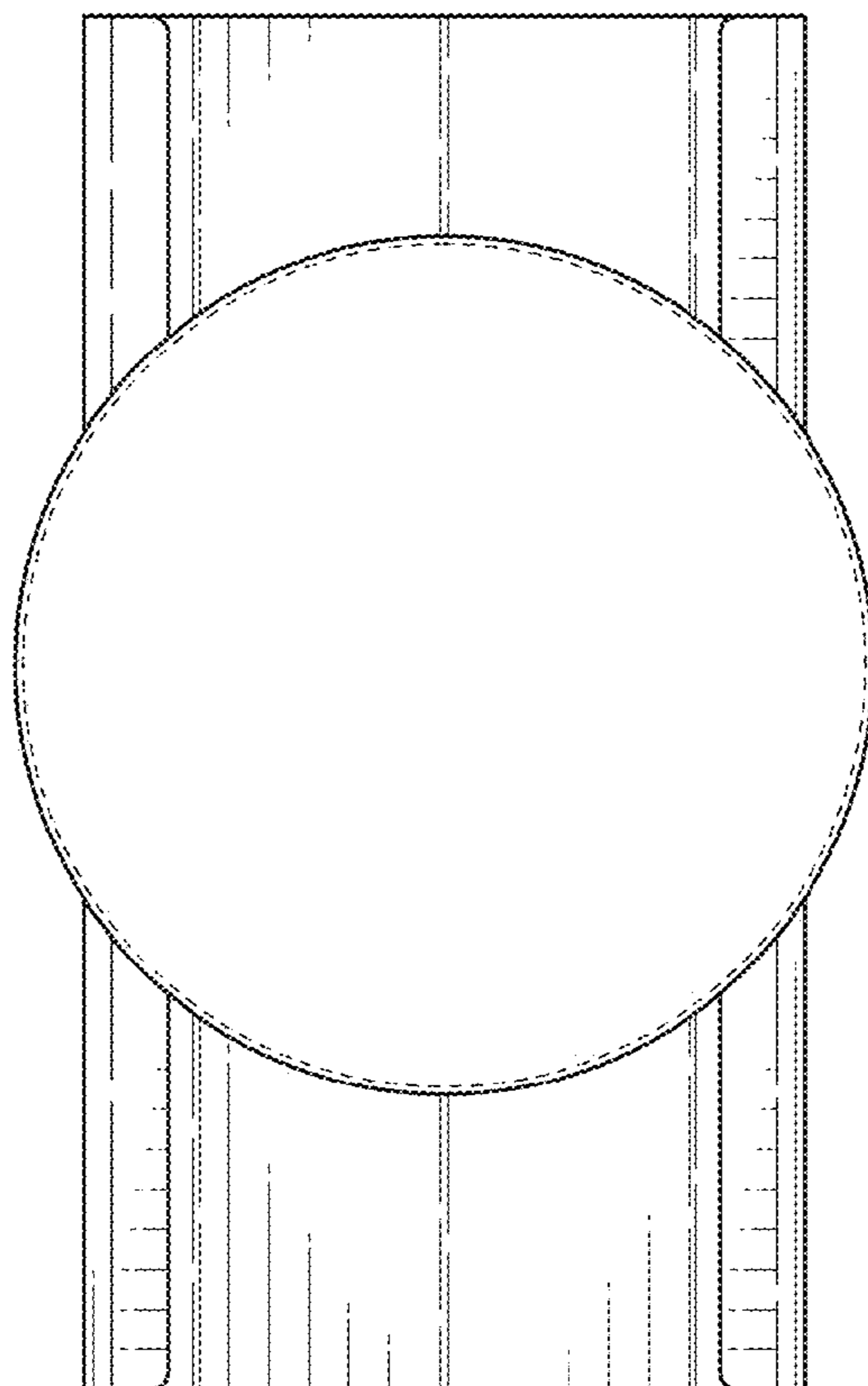


FIG. 3

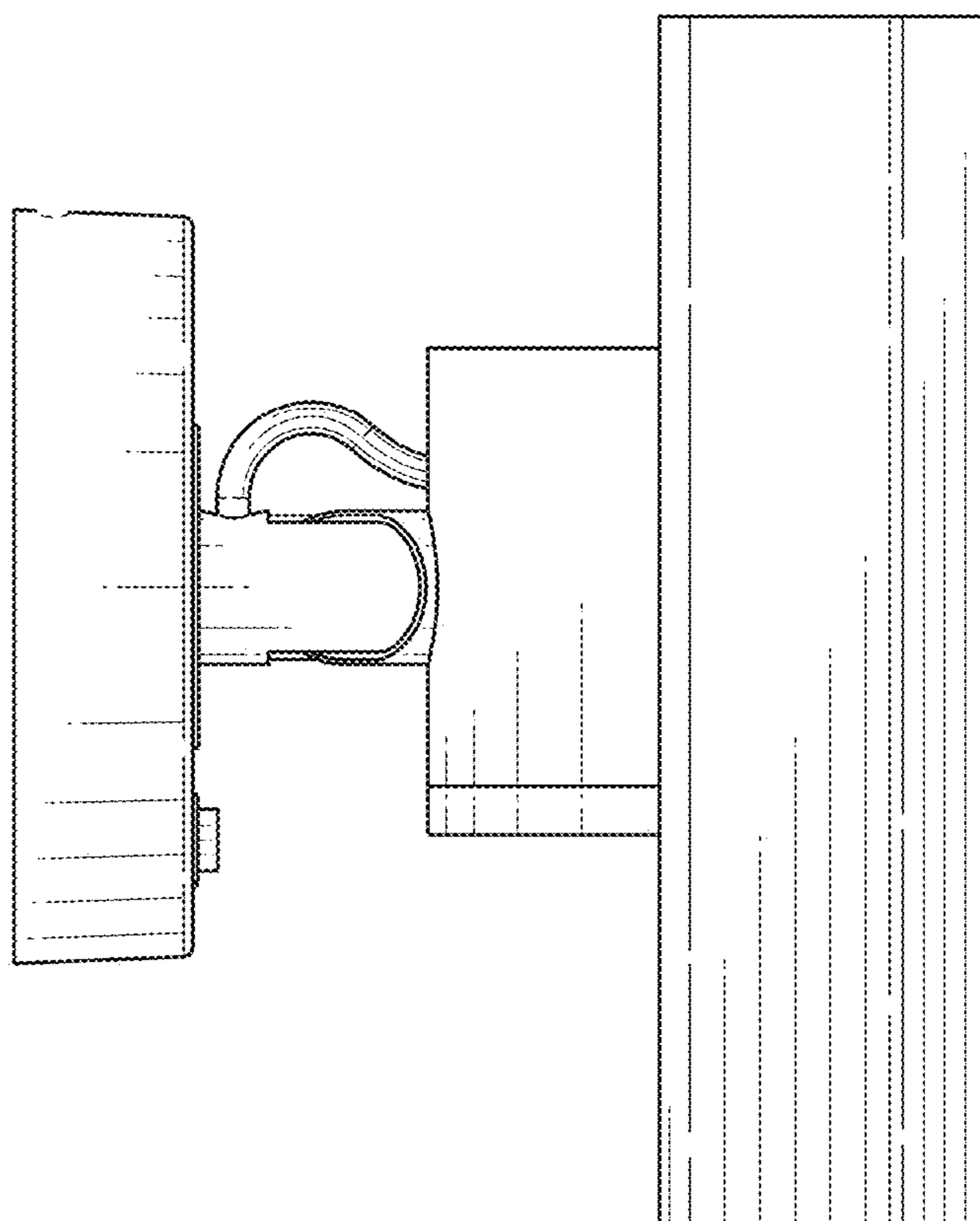


FIG. 4

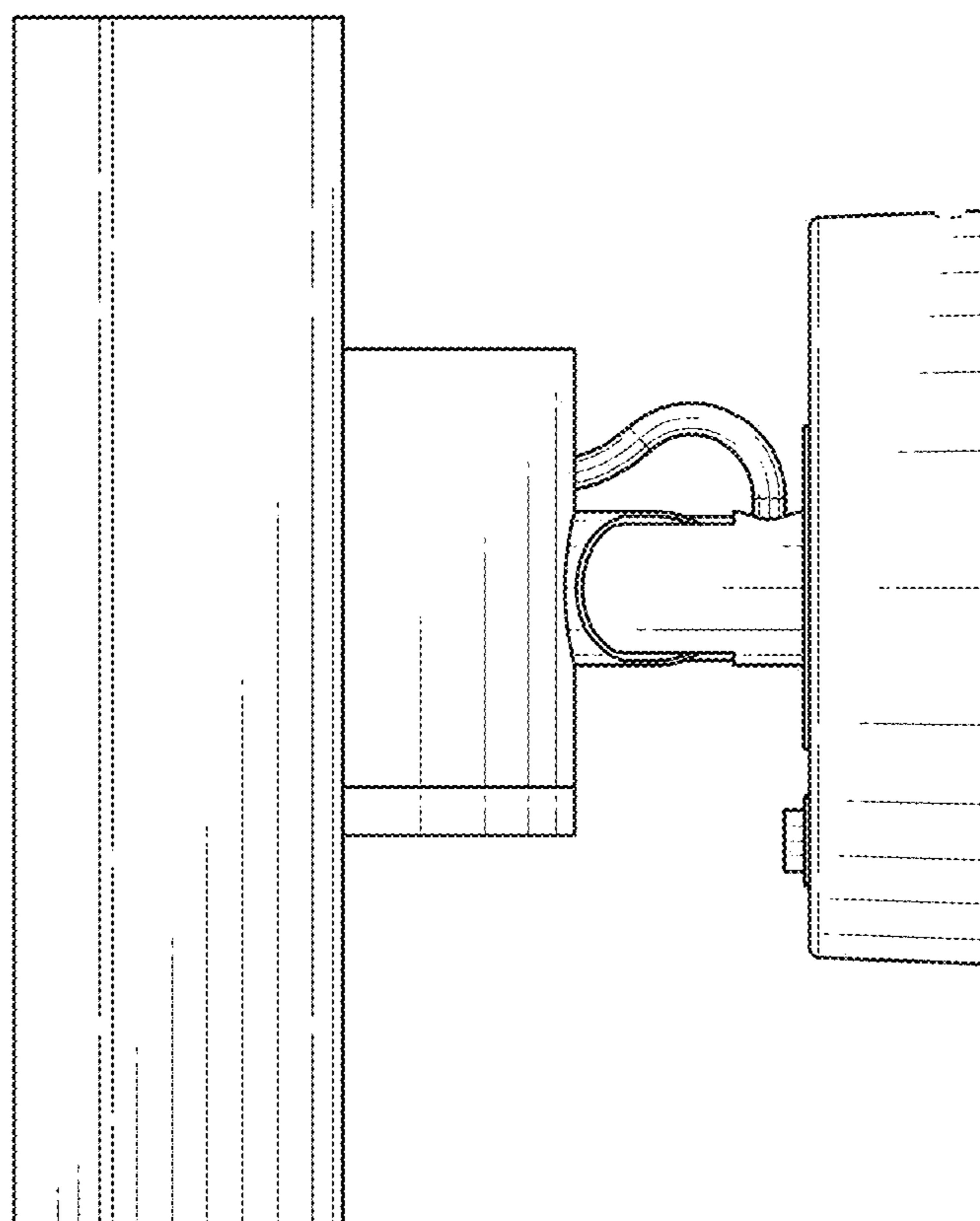


FIG. 5

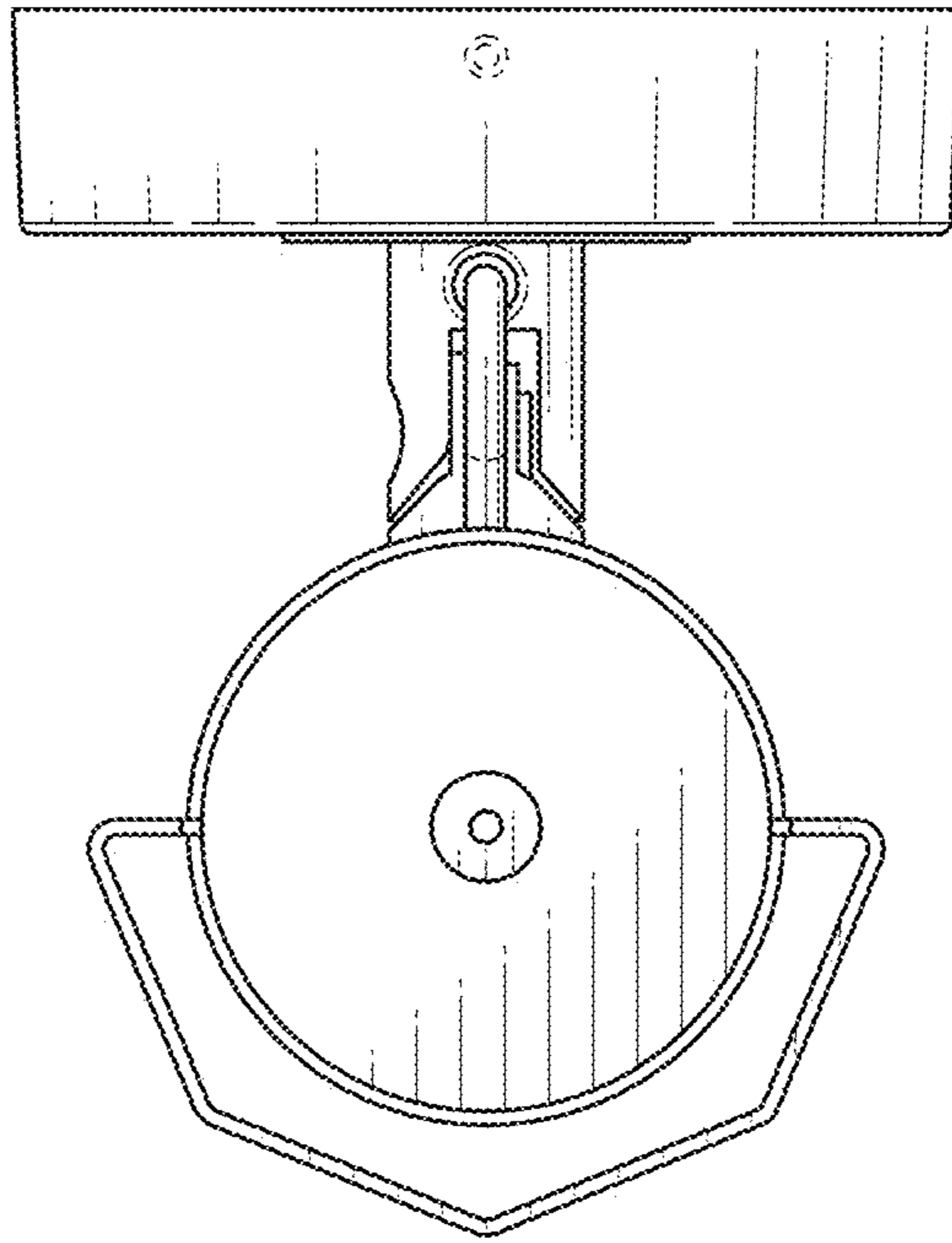


FIG. 6

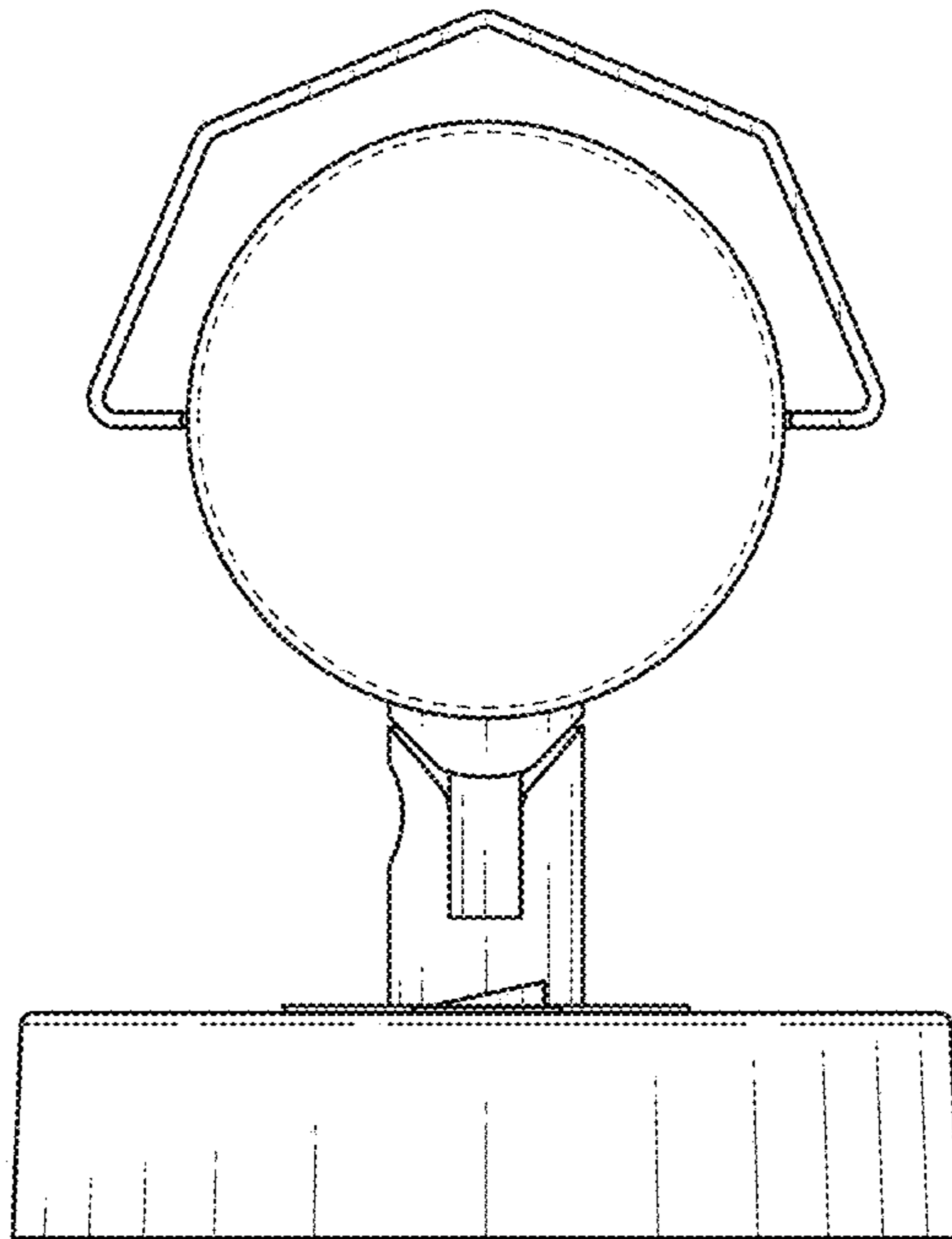


FIG. 7

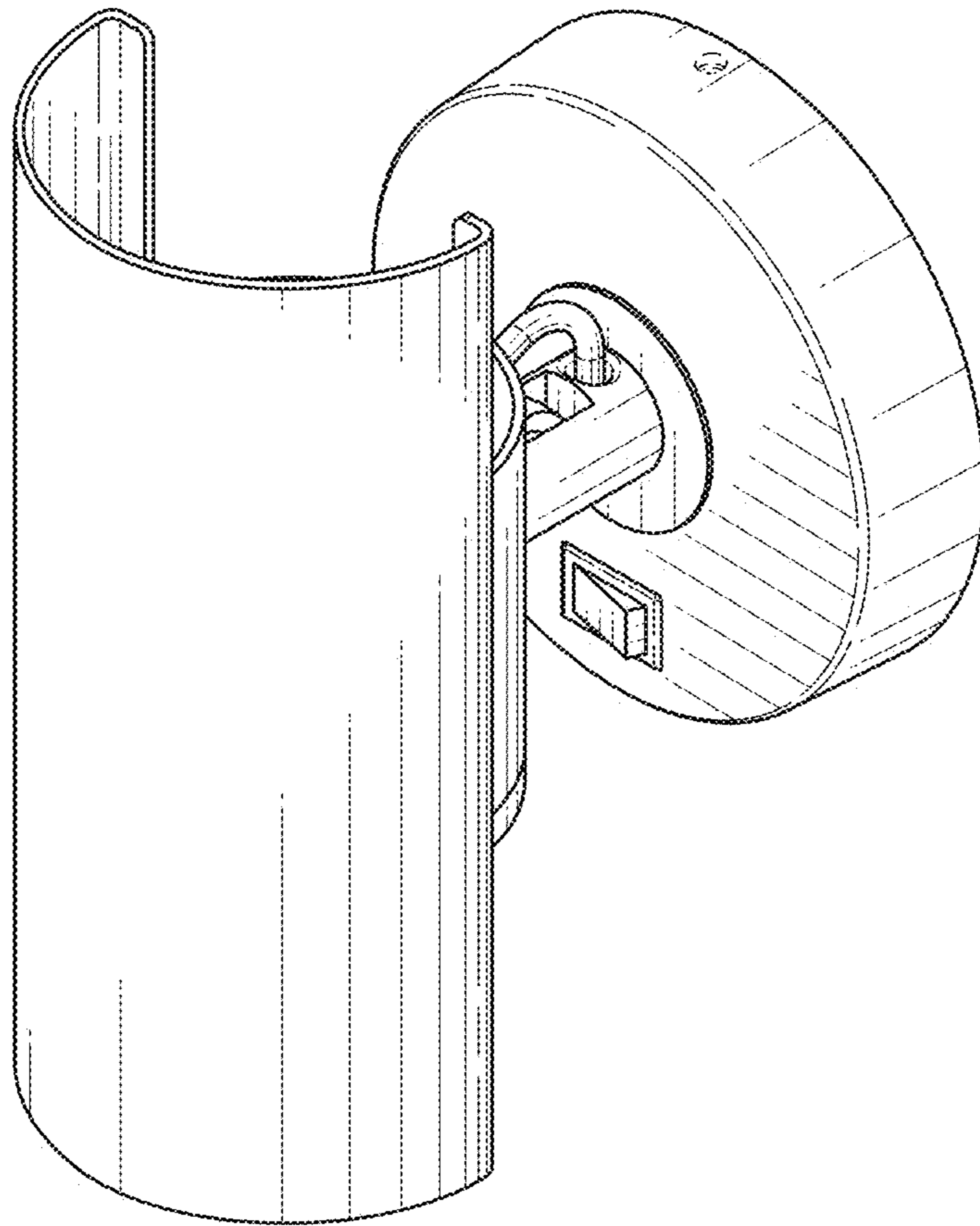


FIG. 8

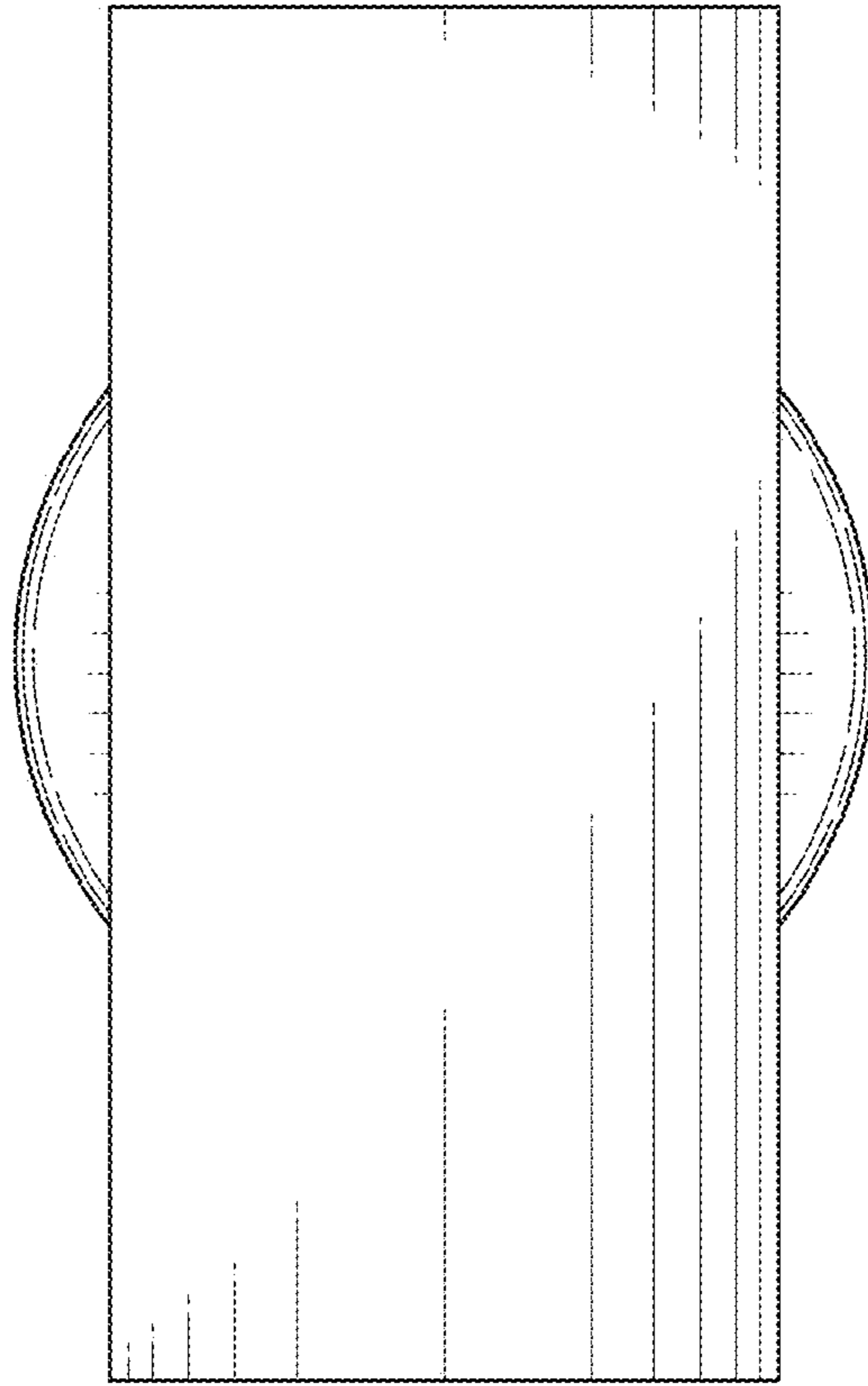


FIG. 9

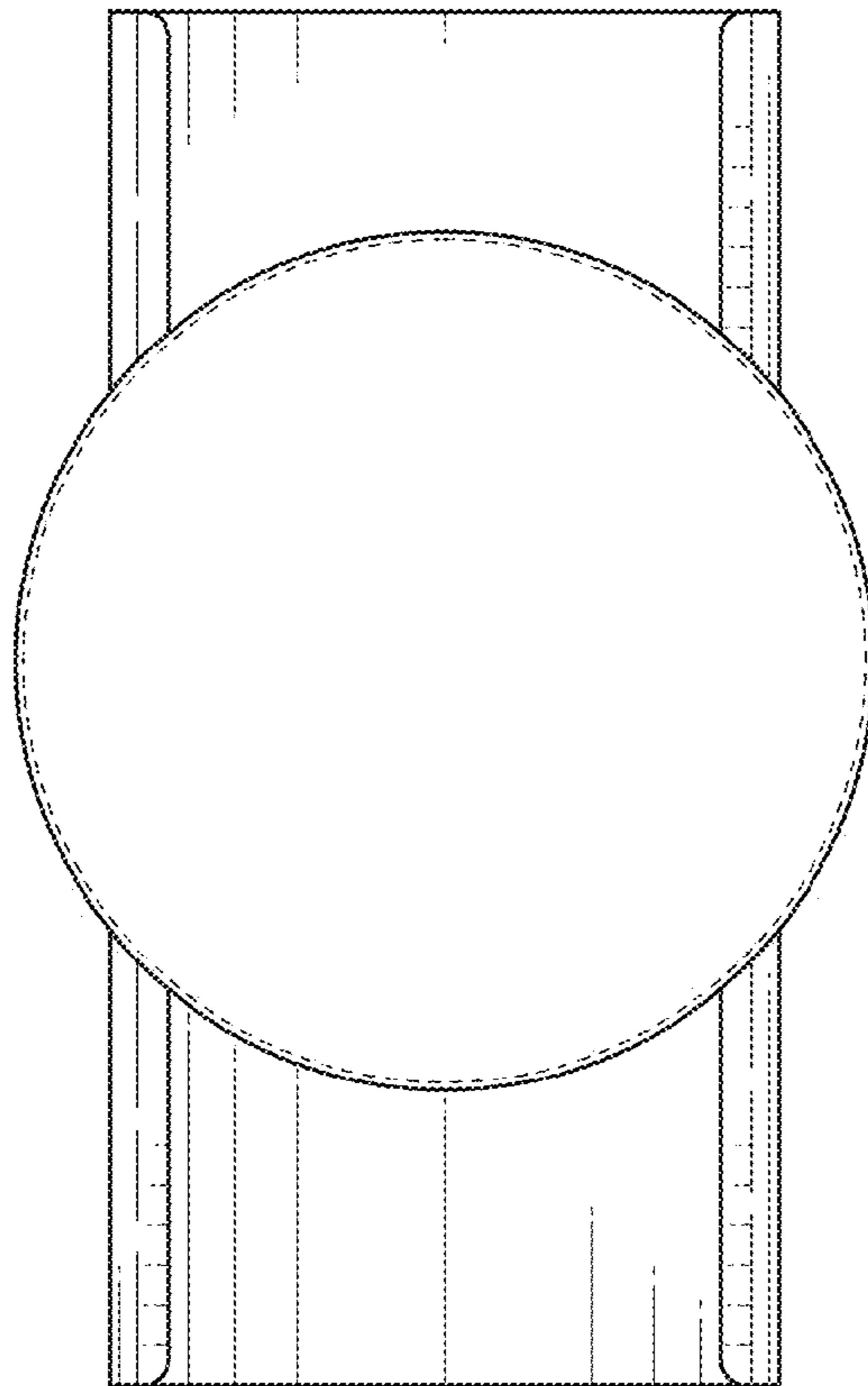


FIG. 10



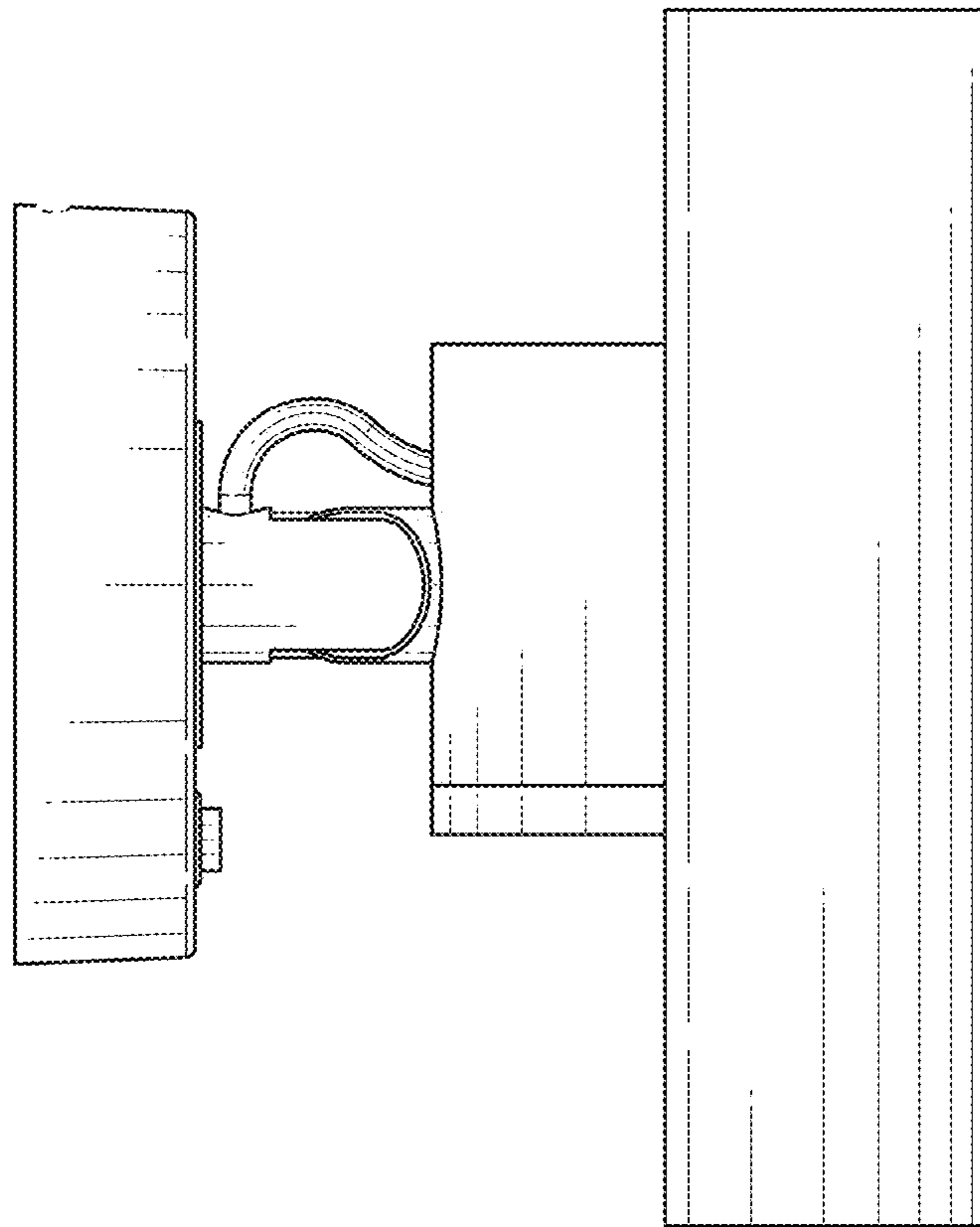


FIG. 11

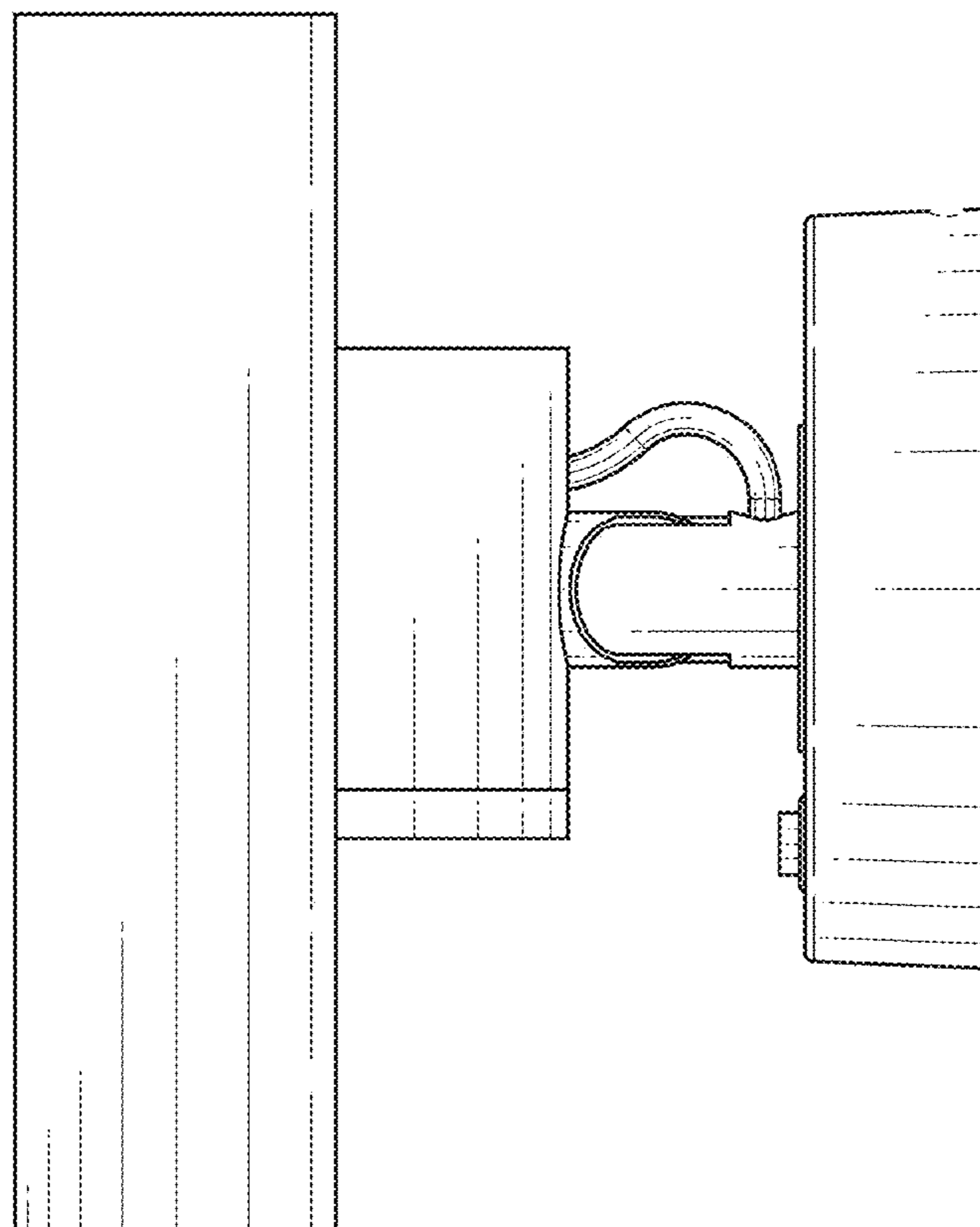


FIG. 12

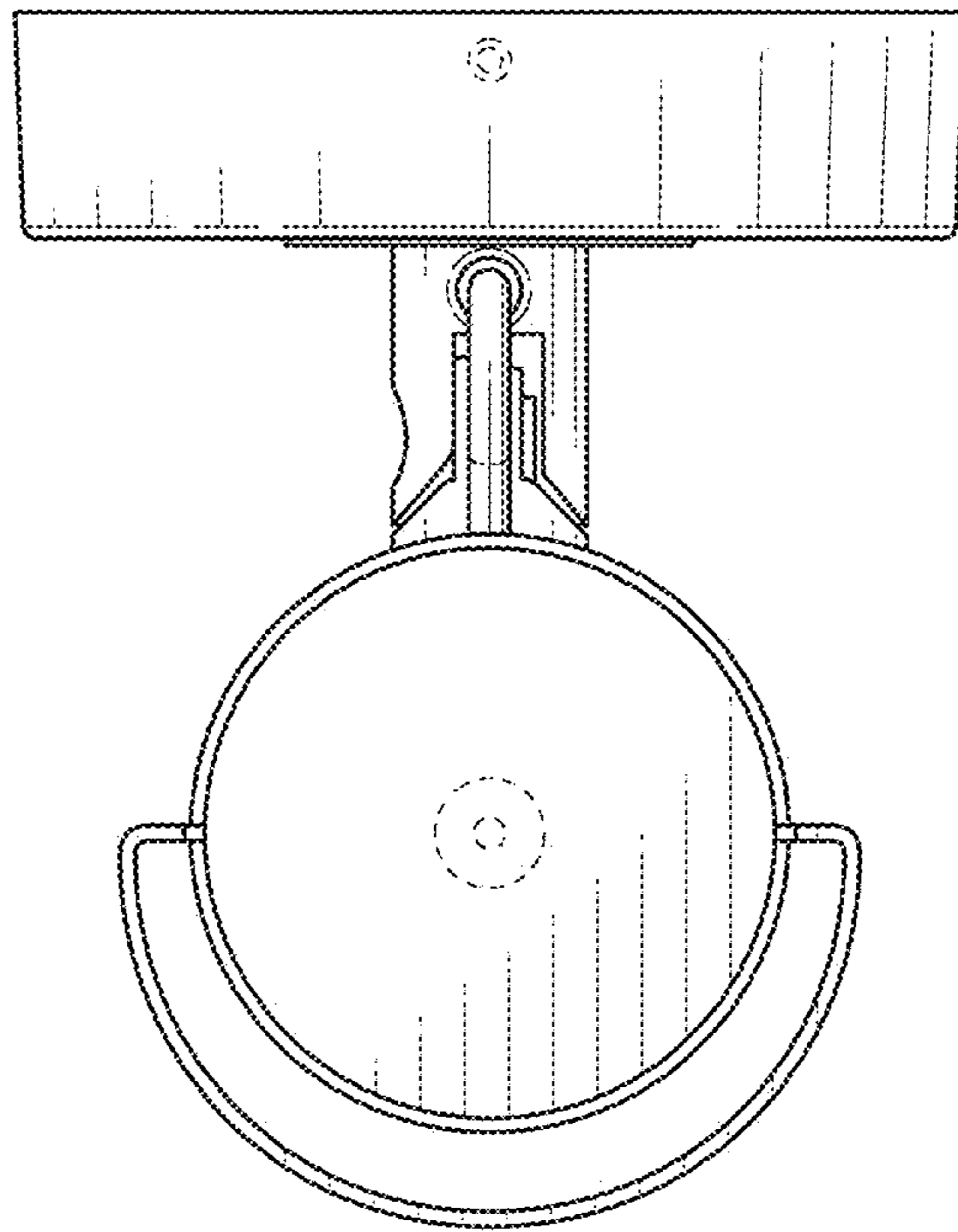


FIG. 13

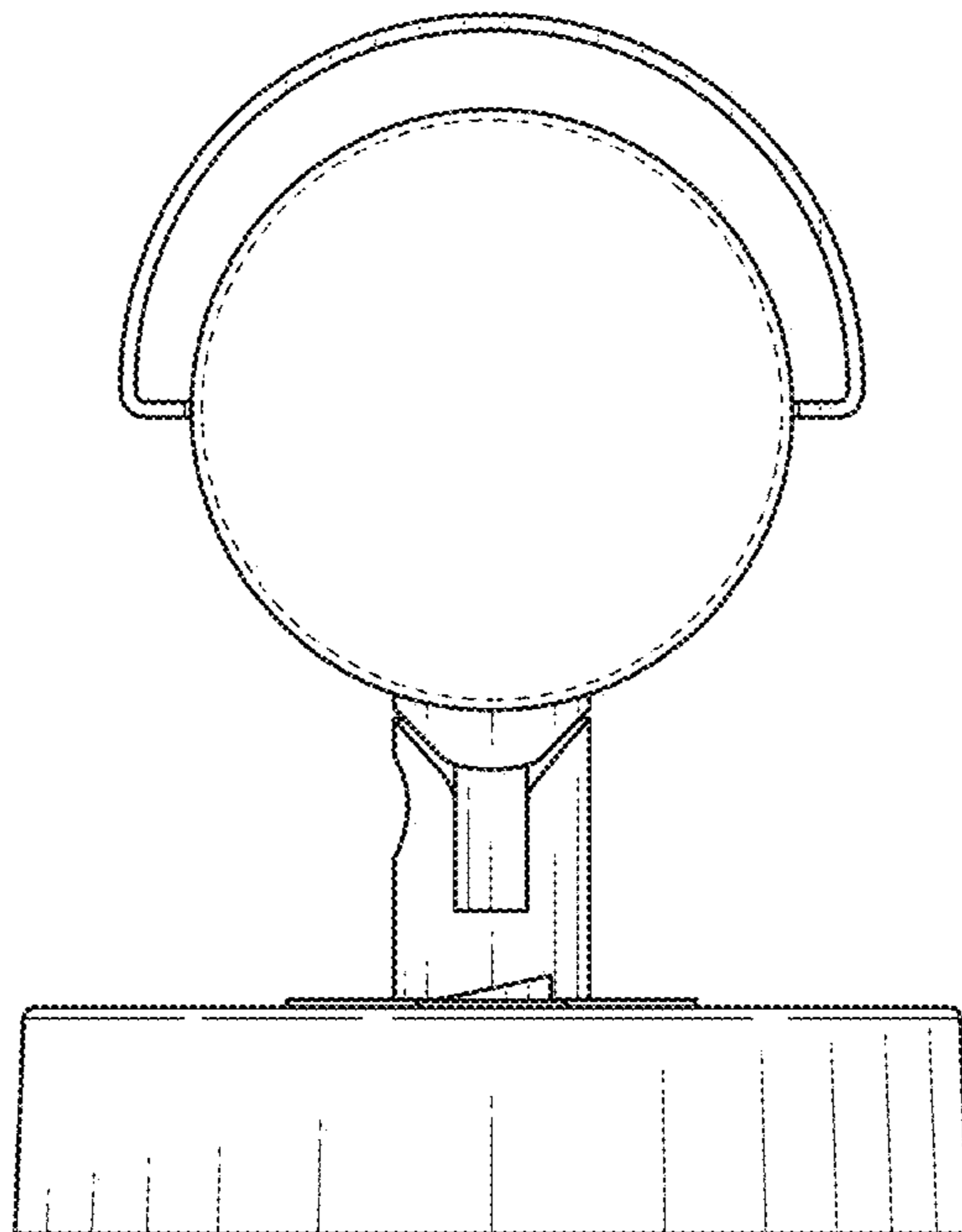


FIG. 14

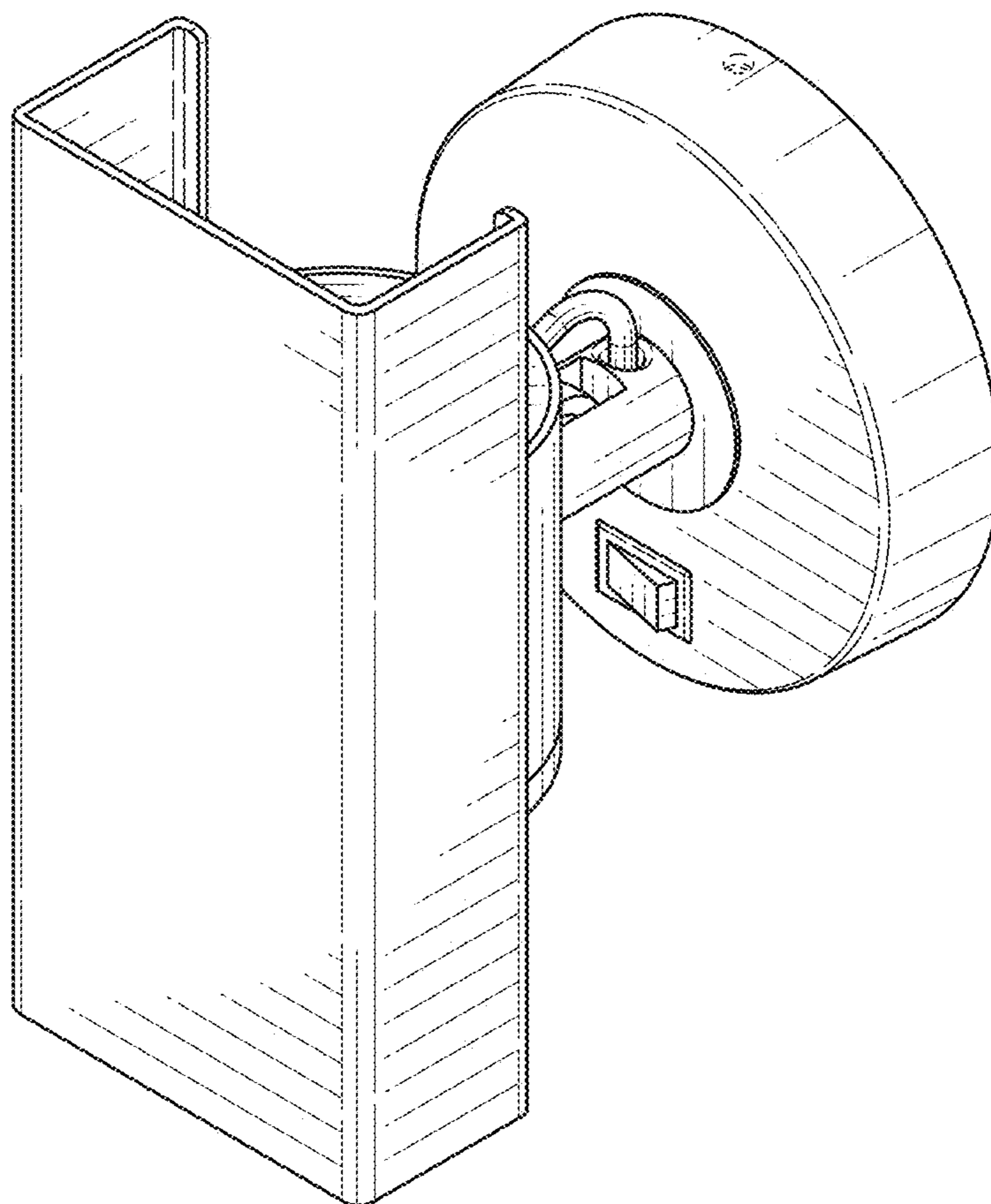


FIG. 15

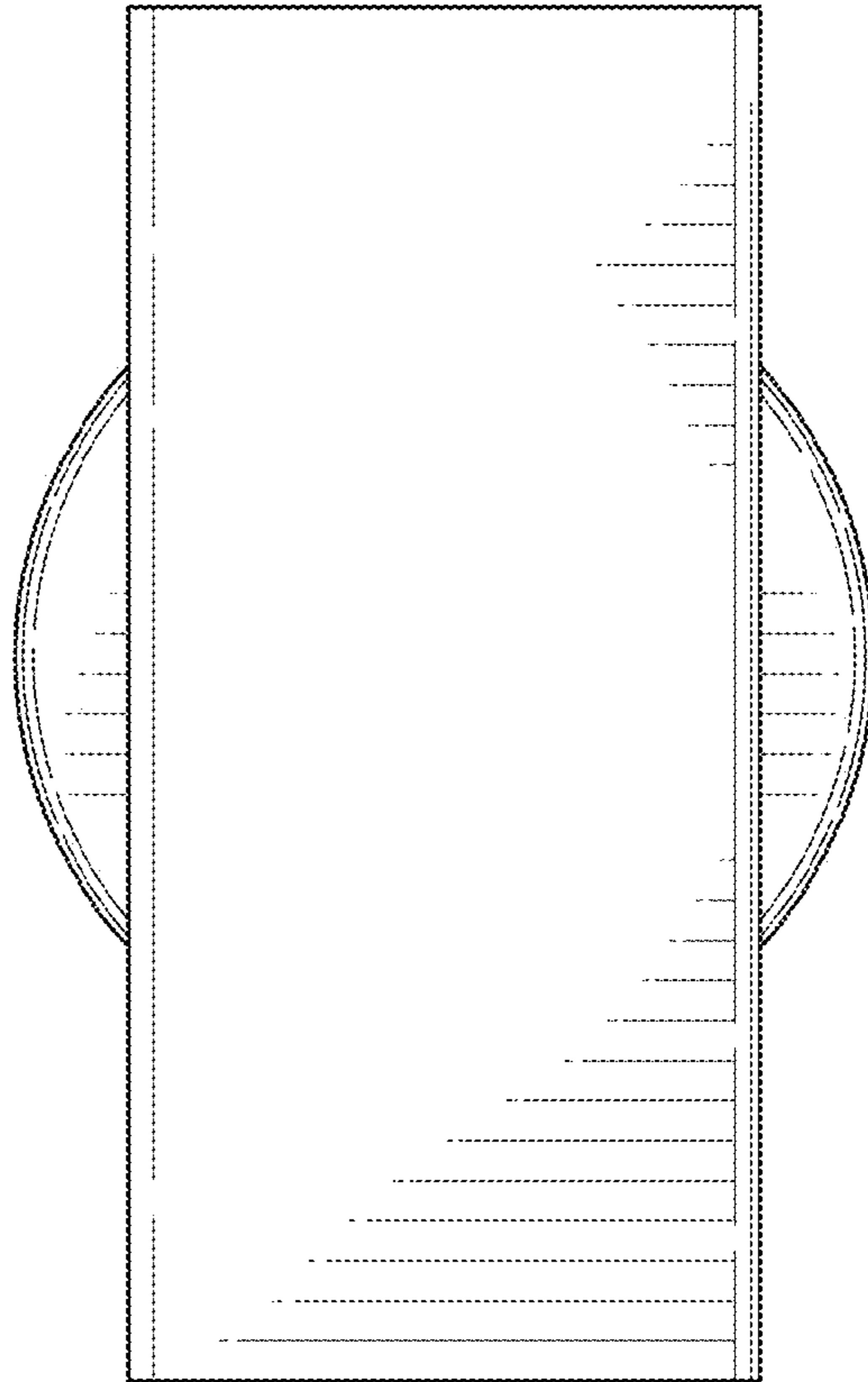


FIG. 16

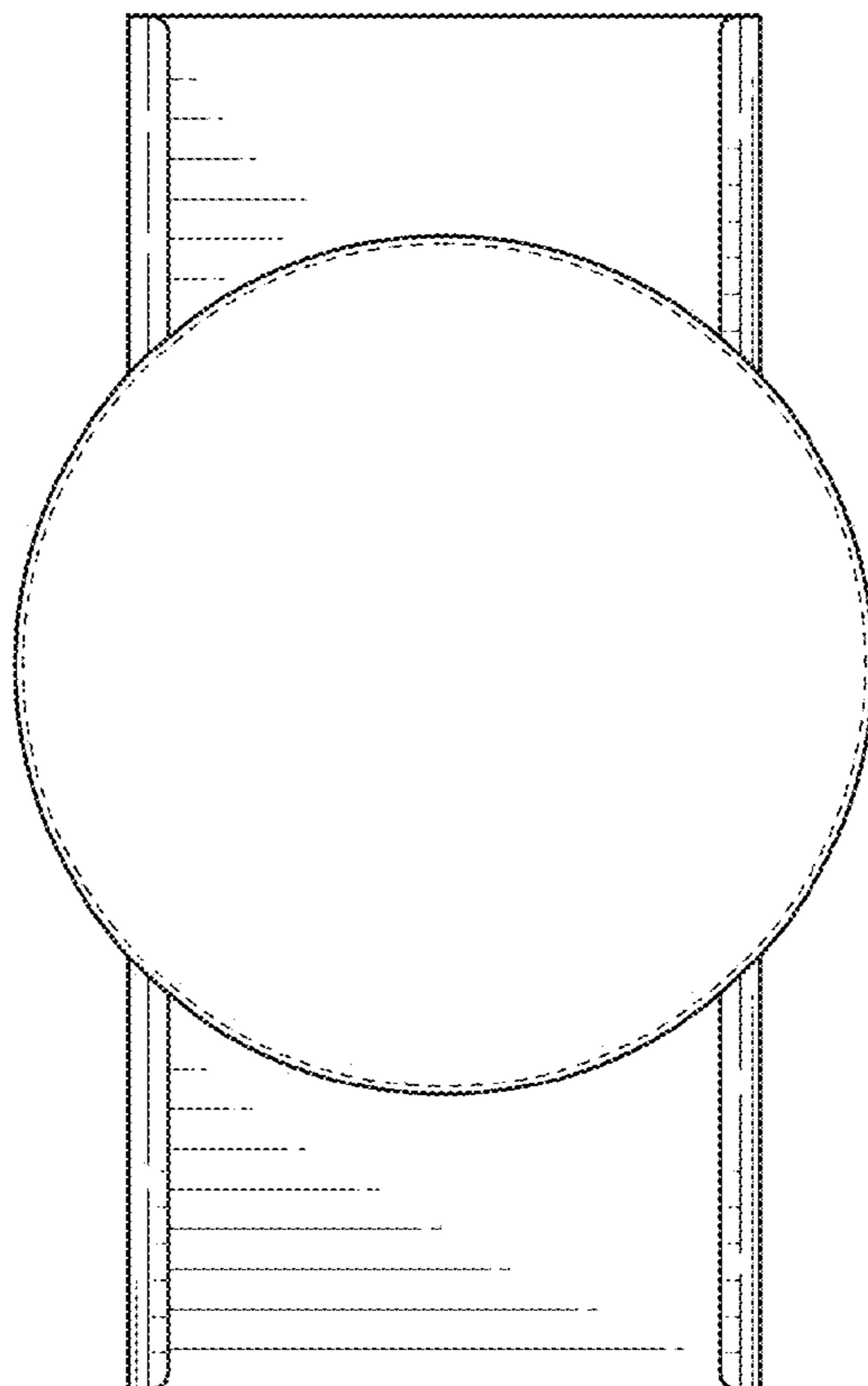


FIG. 17

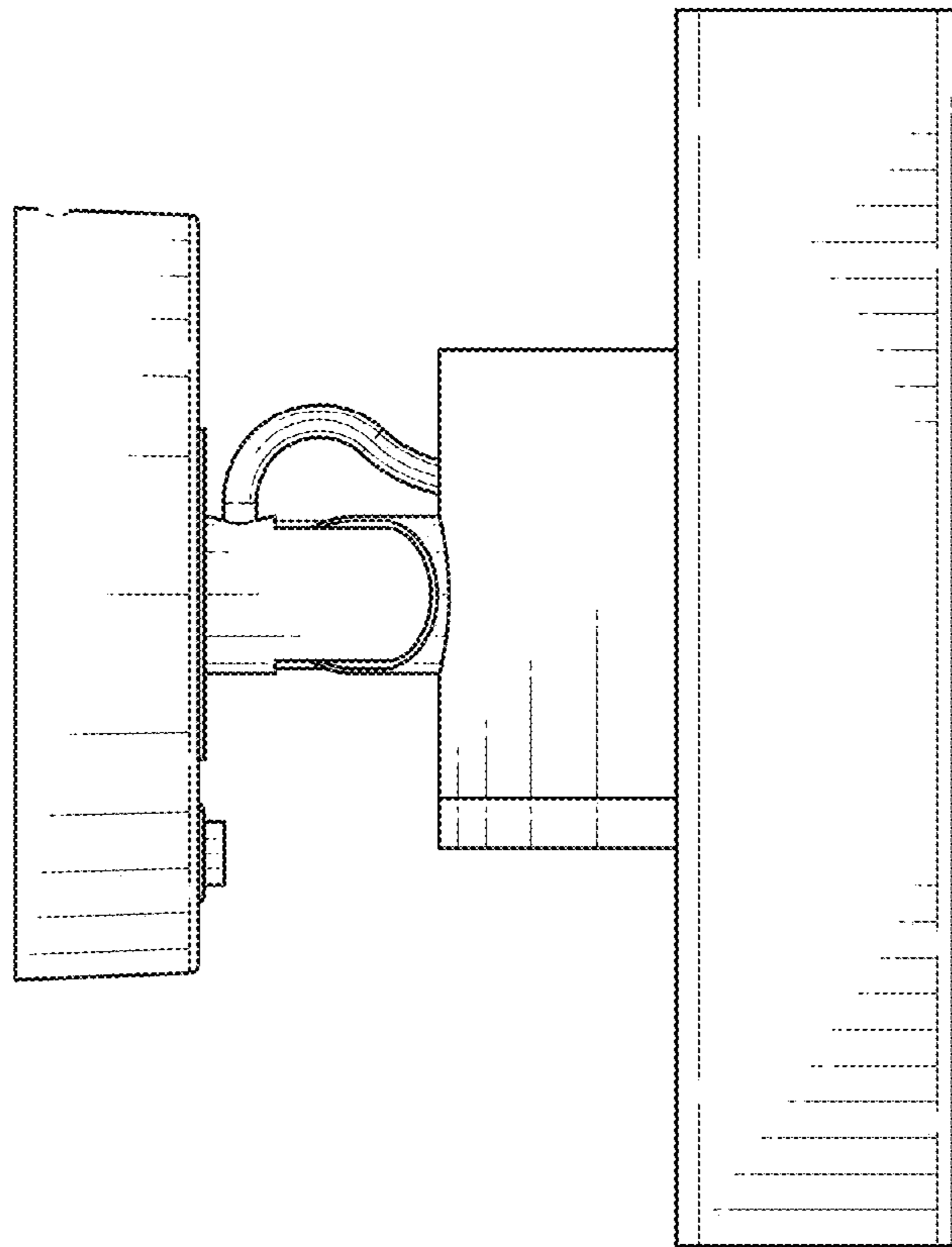


FIG. 18

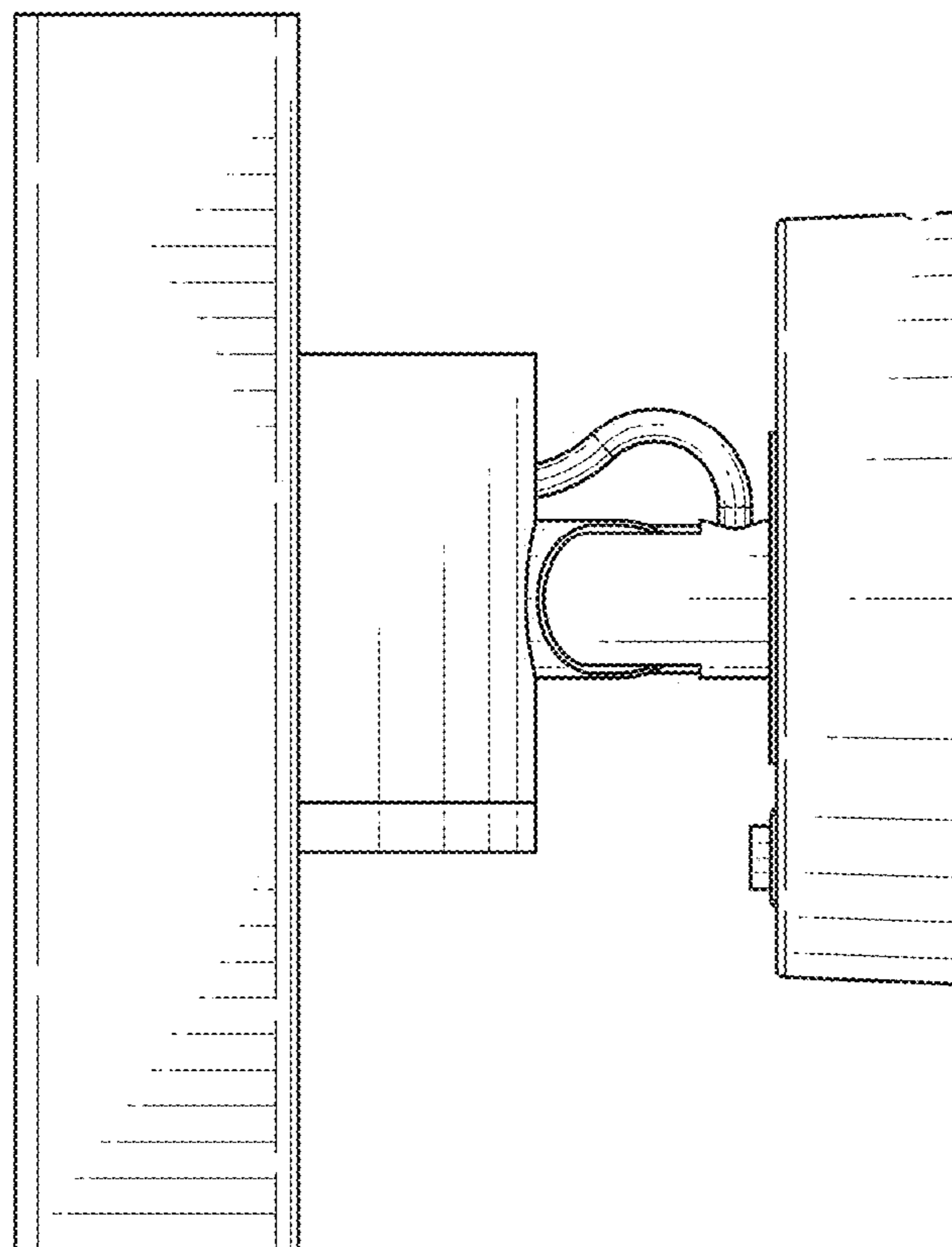


FIG. 19

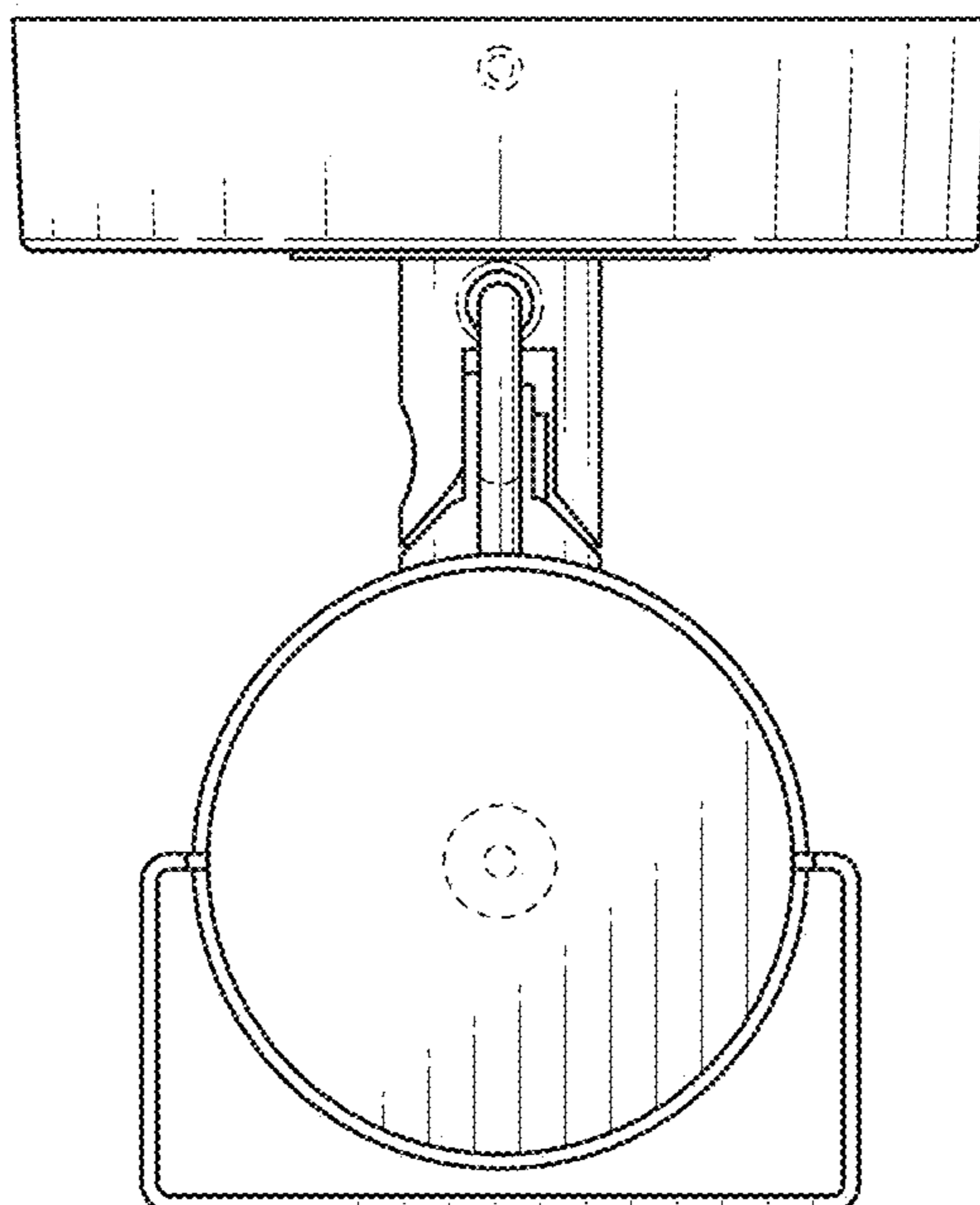


FIG. 20

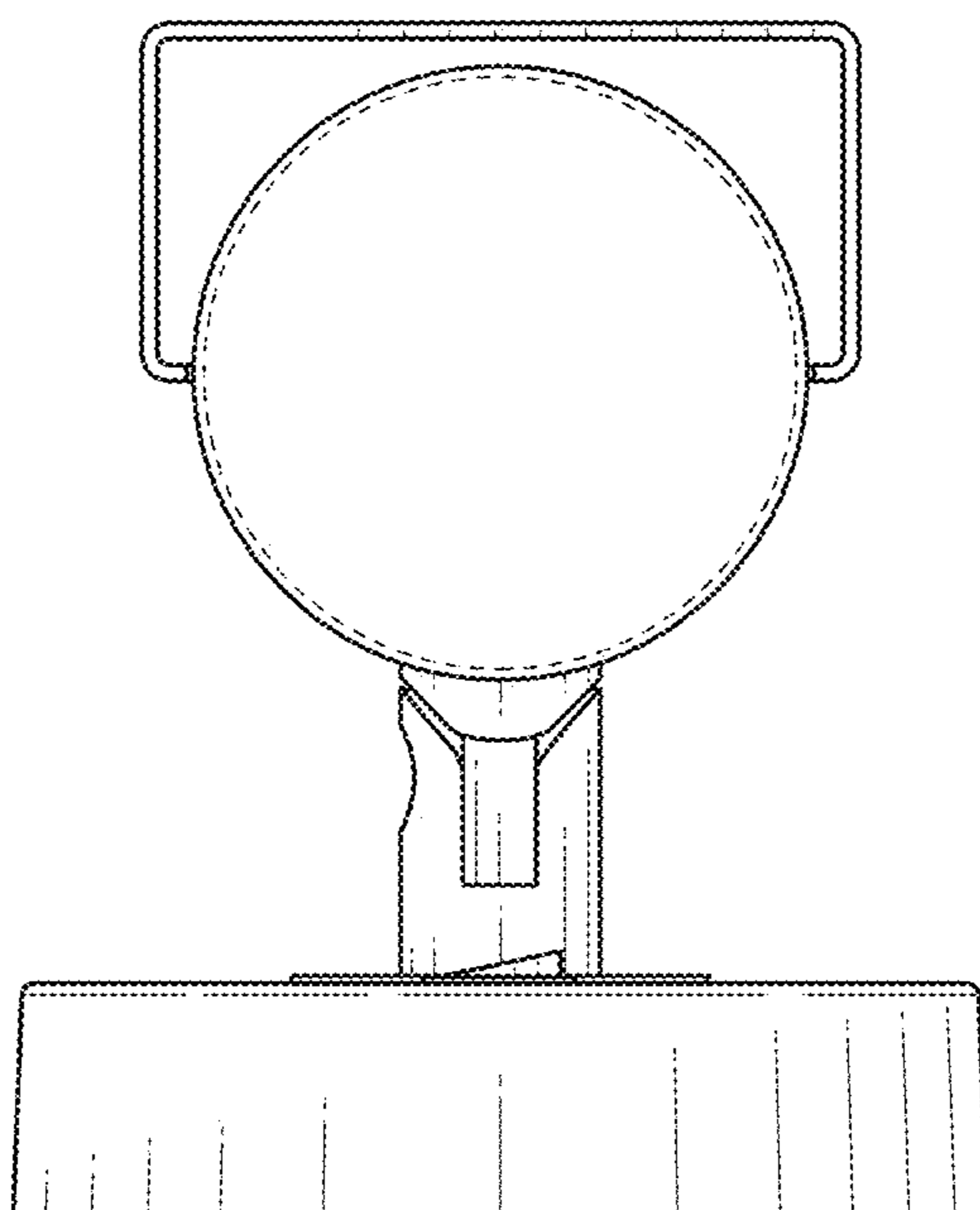


FIG. 21