



US00D887614S

(12) **United States Design Patent**
Lin

(10) **Patent No.:** **US D887,614 S**
(45) **Date of Patent:** **** Jun. 16, 2020**

- (54) **BATHROOM VANITY LIGHT**
- (71) Applicant: **Meilan Lin**, Zhanjiang (CN)
- (72) Inventor: **Meilan Lin**, Zhanjiang (CN)
- (**) Term: **15 Years**
- (21) Appl. No.: **29/671,487**
- (22) Filed: **Nov. 28, 2018**
- (51) **LOC (12) Cl.** **26-03**
- (52) **U.S. Cl.**
USPC **D26/85**
- (58) **Field of Classification Search**
USPC D26/72, 80, 85, 86, 87, 92
CPC .. F21S 8/033; F21S 8/035; F21S 8/036; F21S
8/046
See application file for complete search history.

(56) **References Cited**

U.S. PATENT DOCUMENTS

| | | | | |
|--------------|---------|----------|-------|---------|
| D468,474 S * | 1/2003 | Poulton | | D26/90 |
| D572,399 S * | 7/2008 | Pfund | | D26/142 |
| D650,507 S * | 12/2011 | Osiecki | | D26/72 |
| D782,099 S * | 3/2017 | Orozco | | D26/85 |
| D788,359 S * | 5/2017 | Sonneman | | D26/138 |
| D810,344 S * | 2/2018 | Verelst | | D26/72 |
| D819,868 S * | 6/2018 | Qiao | | D26/87 |
| D827,180 S * | 8/2018 | Mou | | D26/72 |

| | | | | |
|-------------------|---------|----------|-------|----------------------|
| D830,609 S * | 10/2018 | Sonneman | | D26/87 |
| D870,356 S * | 12/2019 | Meise | | D26/90 |
| 2009/0109708 A1 * | 4/2009 | Horwitz | | F21S 4/28 362/658 |

OTHER PUBLICATIONS

LED Vanity Lights, Brivolart 24 Inch 14W Cool White 6000K LED Bathroom Vanity Light Fixture by Brivolart available at amazon.com Oct. 23, 2018. (Year: 2018).*

Vanity Light—LED Acrylic Rectangle Tube Daylight White 4500K for Bathroom/Bedroom by YHTlaeh available at amazon.com May 15, 2018. (Year: 2018).*

* cited by examiner

Primary Examiner — Clare E Heflin

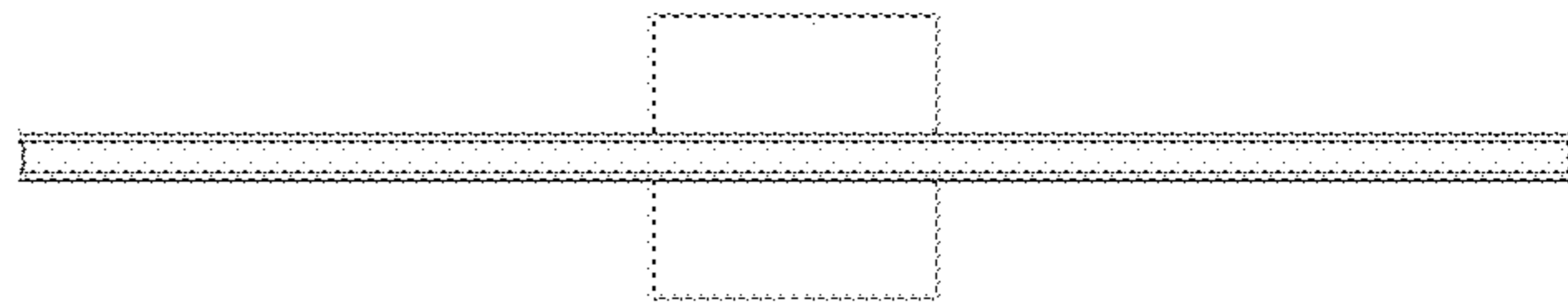
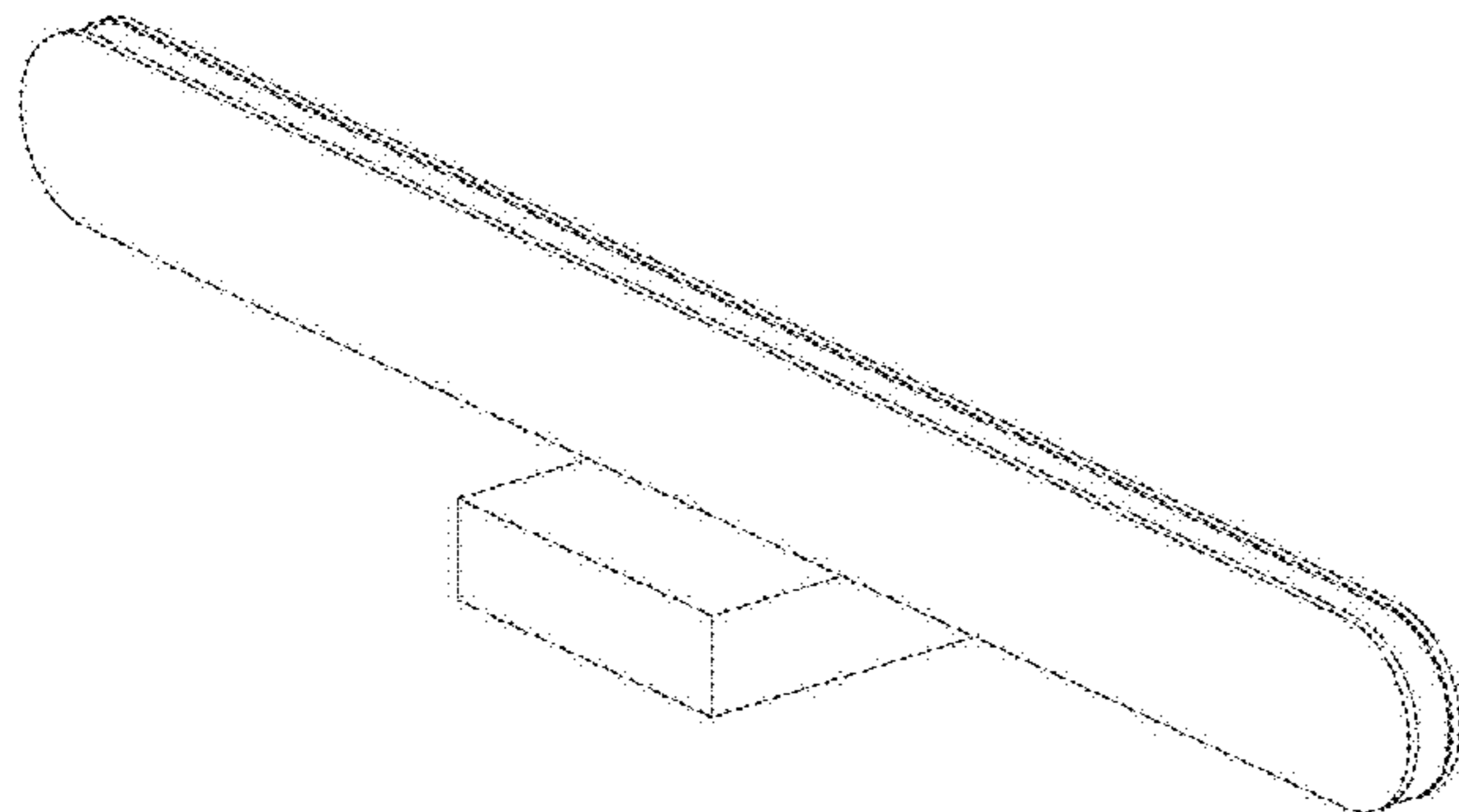
(57) **CLAIM**

The ornamental design for a bathroom vanity light, as shown and described.

DESCRIPTION

FIG. 1 is a front perspective view of the bathroom vanity light showing my new design;
 FIG. 2 is a rear perspective view thereof;
 FIG. 3 is front elevation view thereof;
 FIG. 4 is a top plan view thereof;
 FIG. 5 is a rear elevation view thereof;
 FIG. 6 is an enlarged right side elevation view thereof;
 FIG. 7 is a bottom plan view thereof; and,
 FIG. 8 is an enlarged left side elevation view thereof.

1 Claim, 8 Drawing Sheets



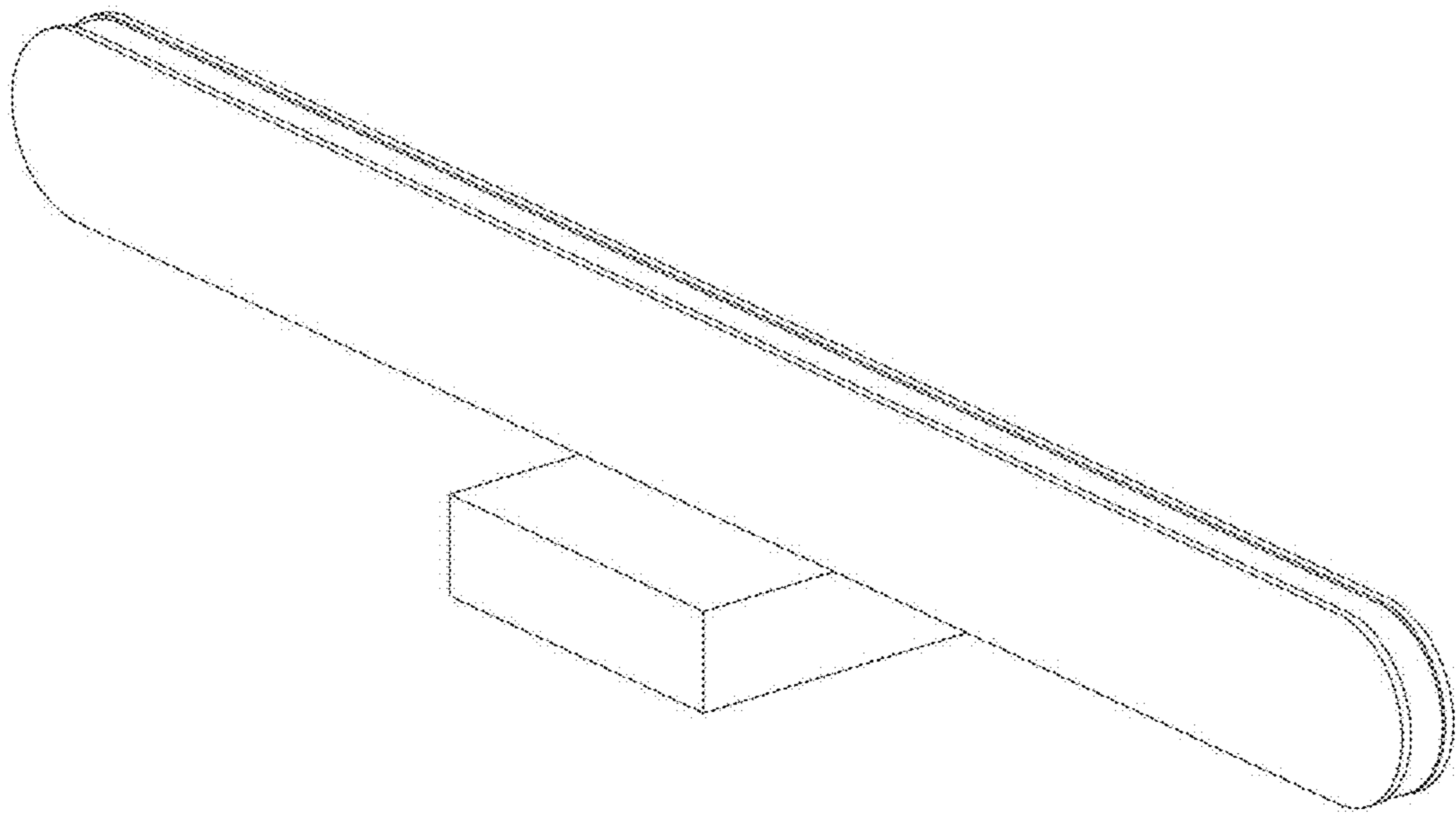


FIG.1

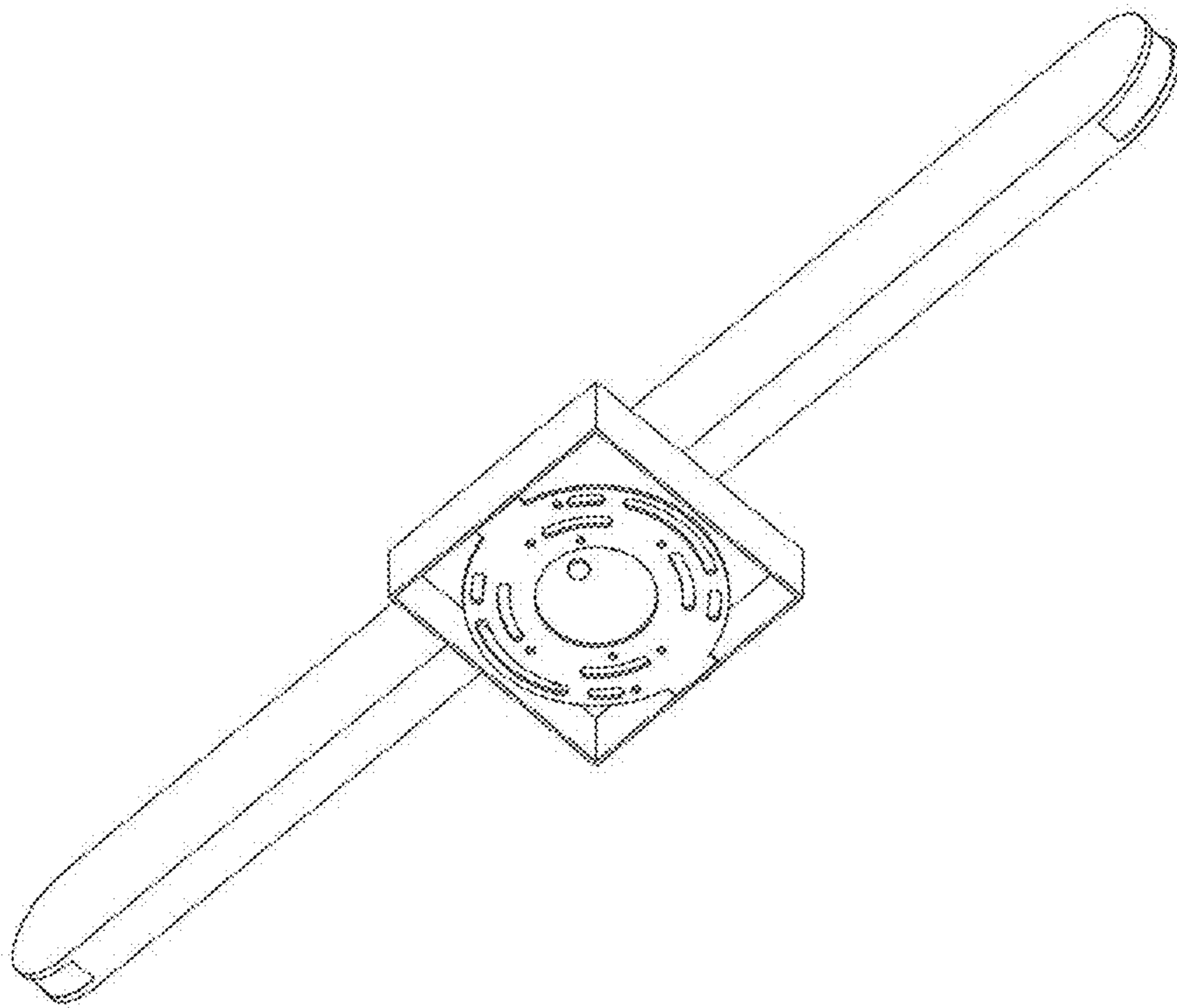


FIG.2

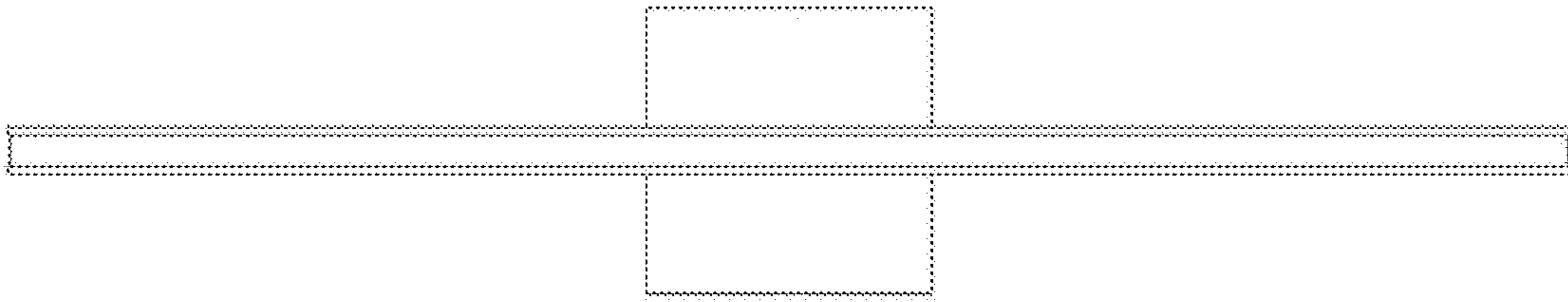


FIG.3

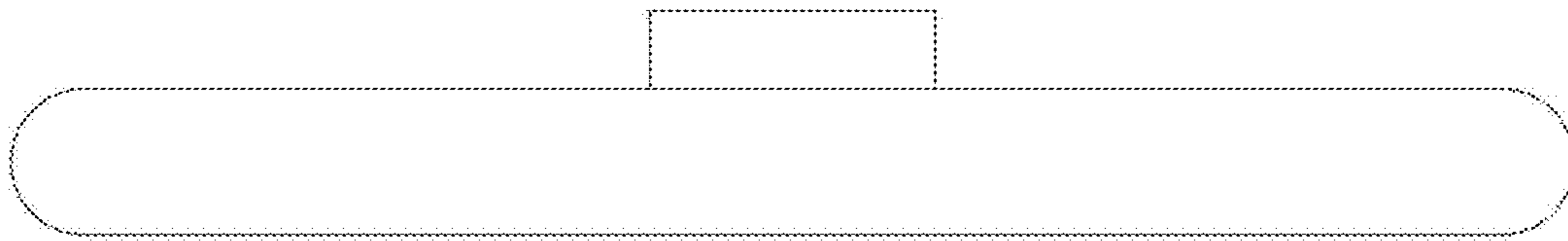


FIG.4

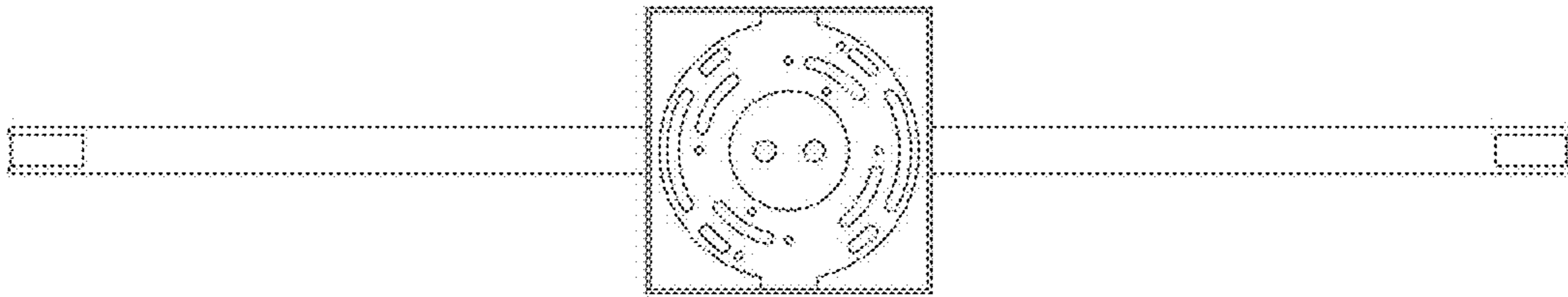


FIG.5

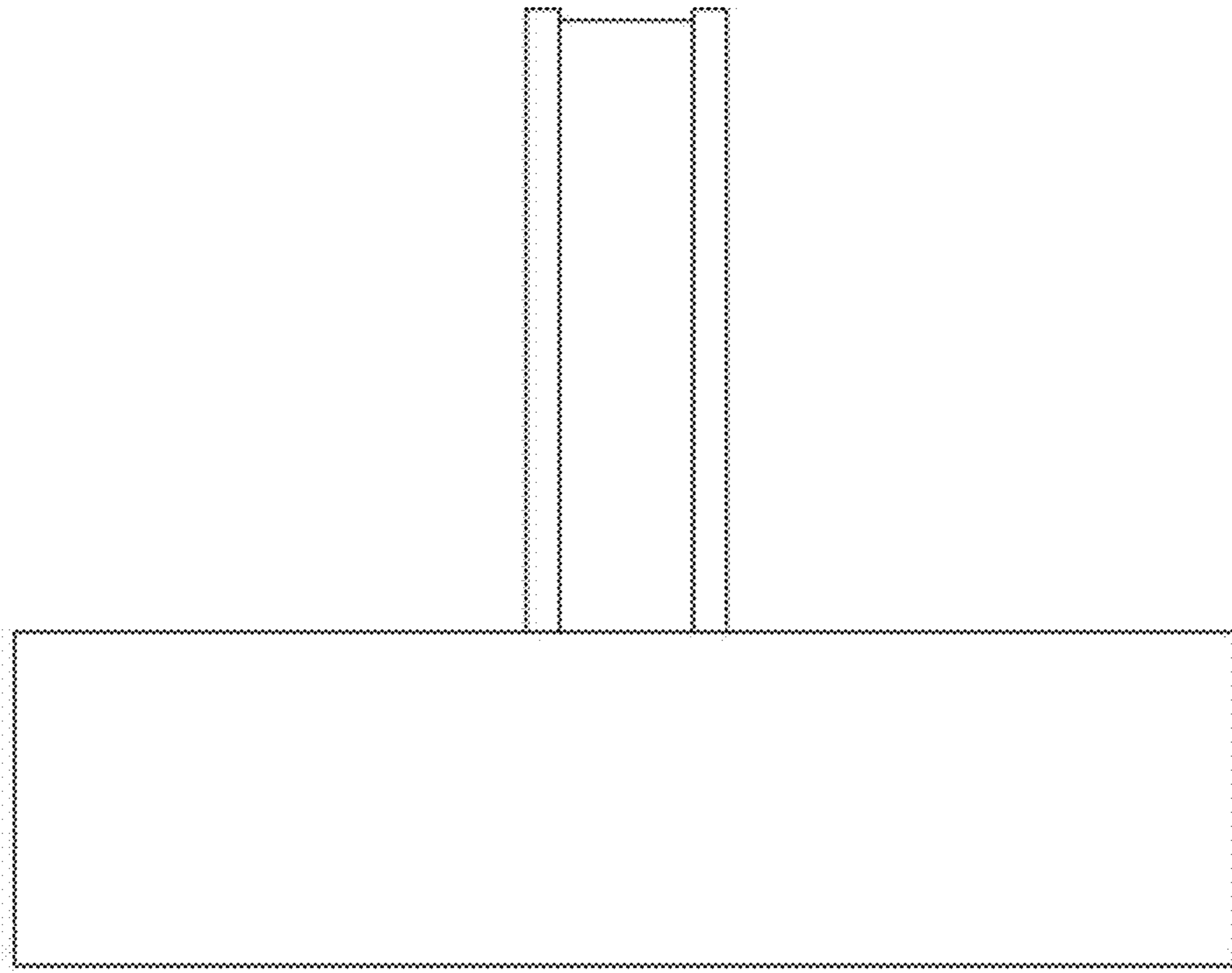


FIG.6

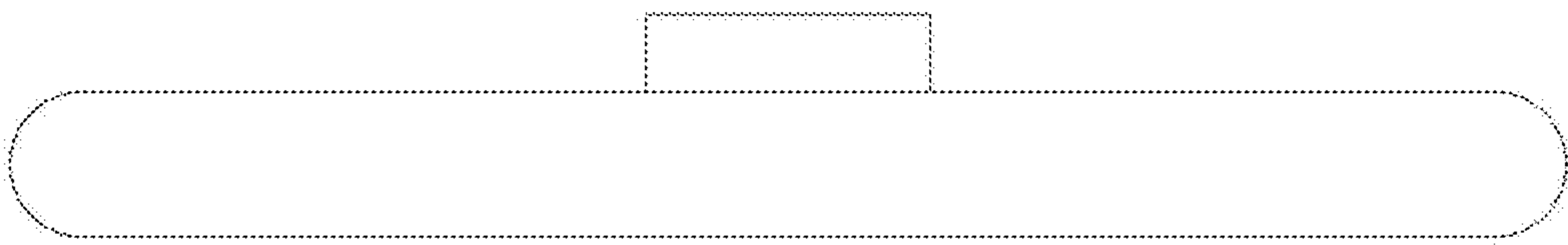


FIG. 7

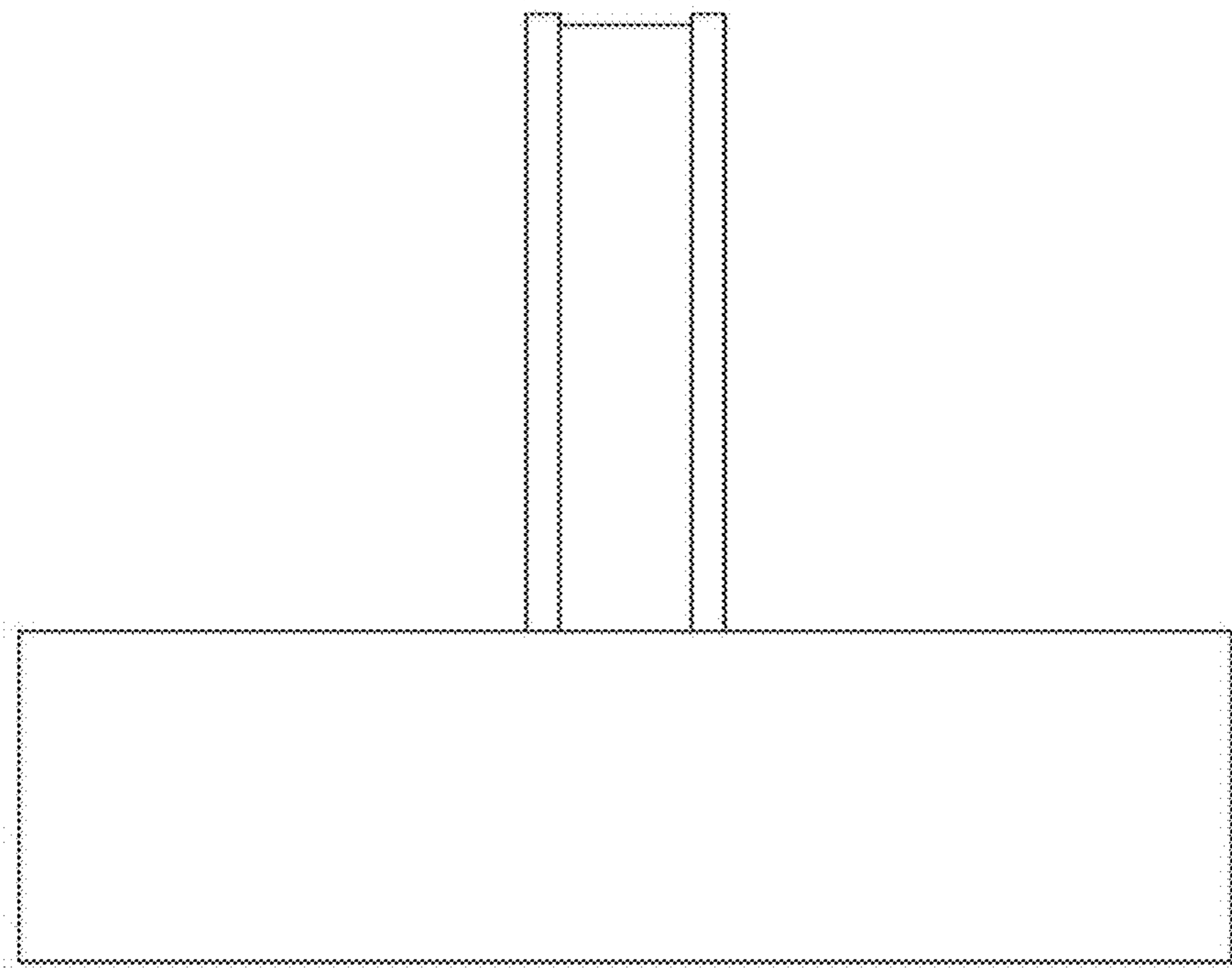


FIG.8