



US00D887612S

(12) **United States Design Patent**  
**Hollinger**

(10) **Patent No.:** **US D887,612 S**  
(45) **Date of Patent:** **\*\* Jun. 16, 2020**

(54) **SOLAR LANTERN**

(71) Applicant: **E. MISHAN & SONS, INC.**, New York, NY (US)

(72) Inventor: **Fred Hollinger**, Monroe Township, NJ (US)

(73) Assignee: **E. Mishan & Sons, Inc.**, New York, NY (US)

(\*\*) Term: **15 Years**

(21) Appl. No.: **29/704,699**

(22) Filed: **Sep. 6, 2019**

(51) **LOC (12) Cl.** ..... **26-05**

(52) **U.S. Cl.**  
USPC ..... **D26/67**

(58) **Field of Classification Search**  
USPC ..... D26/67-71  
CPC .... F21S 8/08; F21S 8/081; F21S 8/083; F21S 8/088; F21S 9/03; F21S 9/037; F21V 21/0824; F21W 2111/02; F21W 2131/109  
See application file for complete search history.

(56) **References Cited**

**U.S. PATENT DOCUMENTS**

D309,785 S *	8/1990	Chien	.....	D26/67
D309,789 S	8/1990	Luce		
D411,895 S	7/1999	Houston		
D453,388 S	2/2002	Leen		
D485,386 S *	1/2004	Cheong	.....	D26/67
D485,930 S *	1/2004	Chen	.....	D26/67
D494,699 S *	8/2004	Hon	.....	D26/67
D555,277 S	11/2007	Stekelenburg		
D563,016 S *	2/2008	Ho	.....	D26/67
D567,984 S *	4/2008	Chen	.....	D26/67
D663,457 S *	7/2012	Ho	.....	D26/67
D676,995 S *	2/2013	Ho	.....	D26/67
D678,575 S *	3/2013	Chen	.....	D26/67
D707,380 S *	6/2014	Sooferian	.....	D26/68

8,740,423 B1 6/2014 Jackson  
D716,988 S \* 11/2014 Sooferian ..... D26/68  
D757,980 S \* 5/2016 Sooferian ..... D26/68  
(Continued)

**OTHER PUBLICATIONS**

Gigalumi 8 Pcs Solar Lights Outdoor Pathway, Waterproof Led Solar Lights for Lawn,Patio,Yard, Garden, Path, Walk, sold at amazon.com as early as Mar. 12, 2019. (Year: 2019).\*  
(Continued)

*Primary Examiner* — Clare E Heflin

(74) *Attorney, Agent, or Firm* — Notaro, Michalos & Zaccaria P.C.

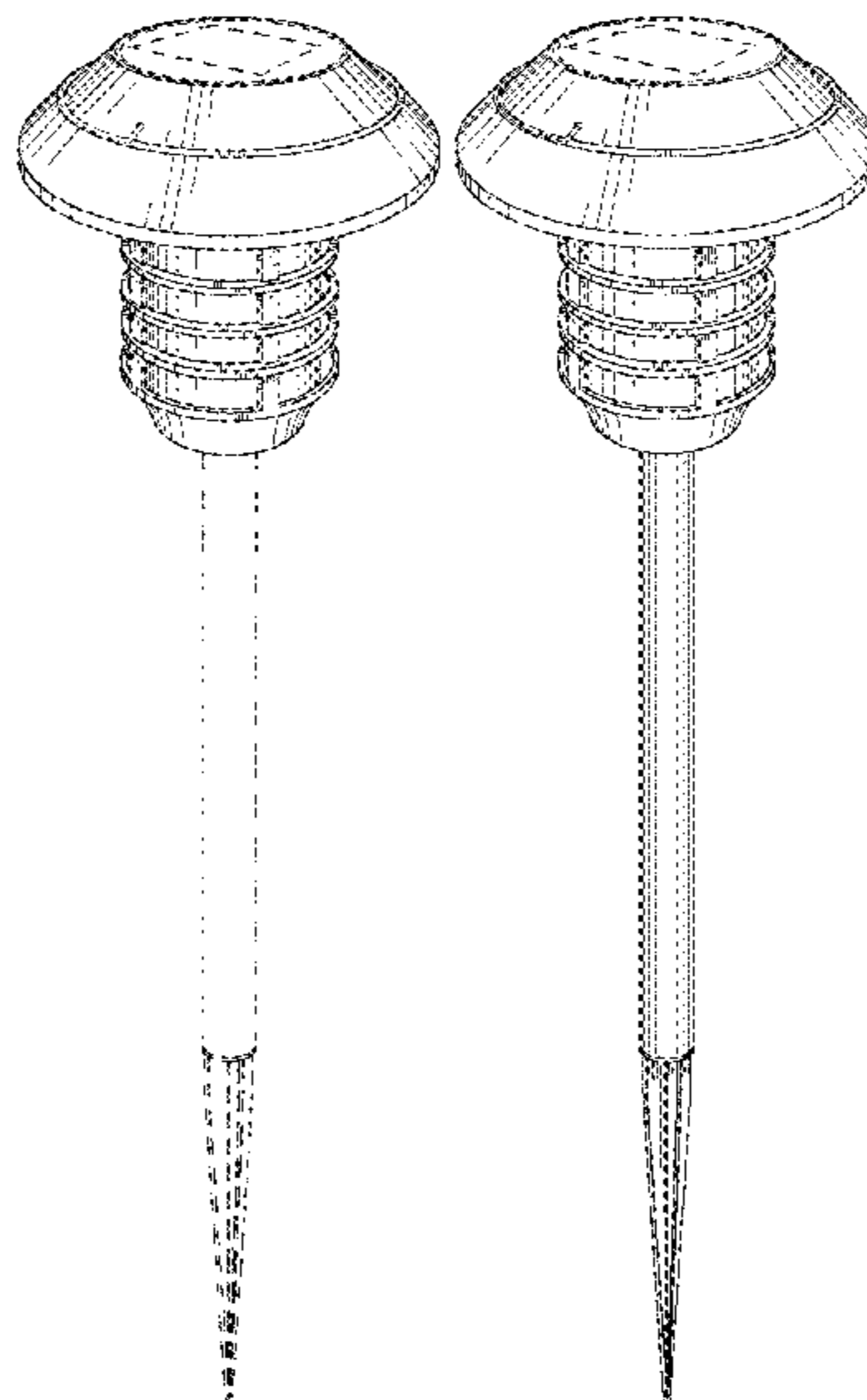
(57) **CLAIM**

The ornamental design for a solar lantern, as shown and described.

**DESCRIPTION**

FIG. 1 is a front, left, top perspective view of a solar lantern showing my design therefor;  
FIG. 2 is a front elevational view thereof;  
FIG. 3 is a rear elevational view thereof;  
FIG. 4 is a side elevational view thereof;  
FIG. 5 is a opposite side elevational view thereof;  
FIG. 6 is a top plan view thereof;  
FIG. 7 is a bottom plan view thereof;  
FIG. 8 is a front, left, top perspective view of a Second Embodiment of my design therefor;  
FIG. 9 is a front elevational view thereof;  
FIG. 10 is a rear elevational view thereof;  
FIG. 11 is a side elevational view thereof;  
FIG. 12 is a opposite side elevational view thereof;  
FIG. 13 is a top plan view thereof; and,  
FIG. 14 is a bottom plan view thereof.  
The broken lines shown on the drawings depict portions of the solar lantern that form no part of the claimed design.

**1 Claim, 14 Drawing Sheets**



(56)

**References Cited**

U.S. PATENT DOCUMENTS

D822,251 S \* 7/2018 Chen ..... D26/67  
D824,069 S \* 7/2018 Chen ..... D26/67  
2018/0252371 A1\* 9/2018 Chelf ..... H02J 7/35

OTHER PUBLICATIONS

Solplex Solar Pathway Lights available at amazon.com Sep. 26,  
2019. (Year: 2019).\*

\* cited by examiner

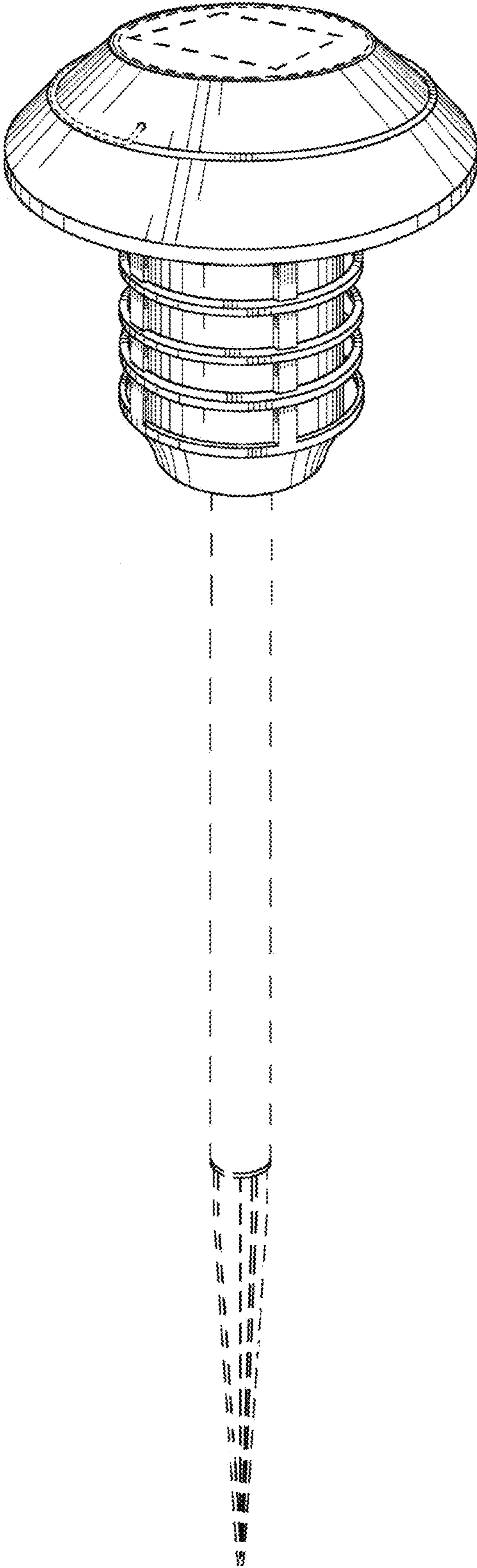


Fig. 1

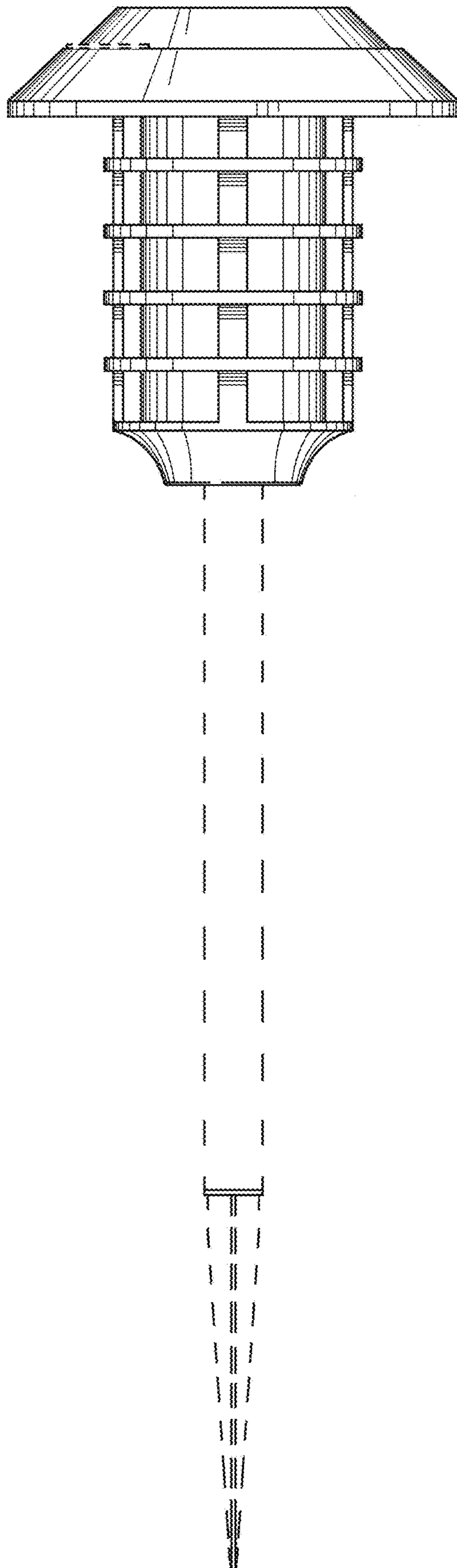


Fig. 2

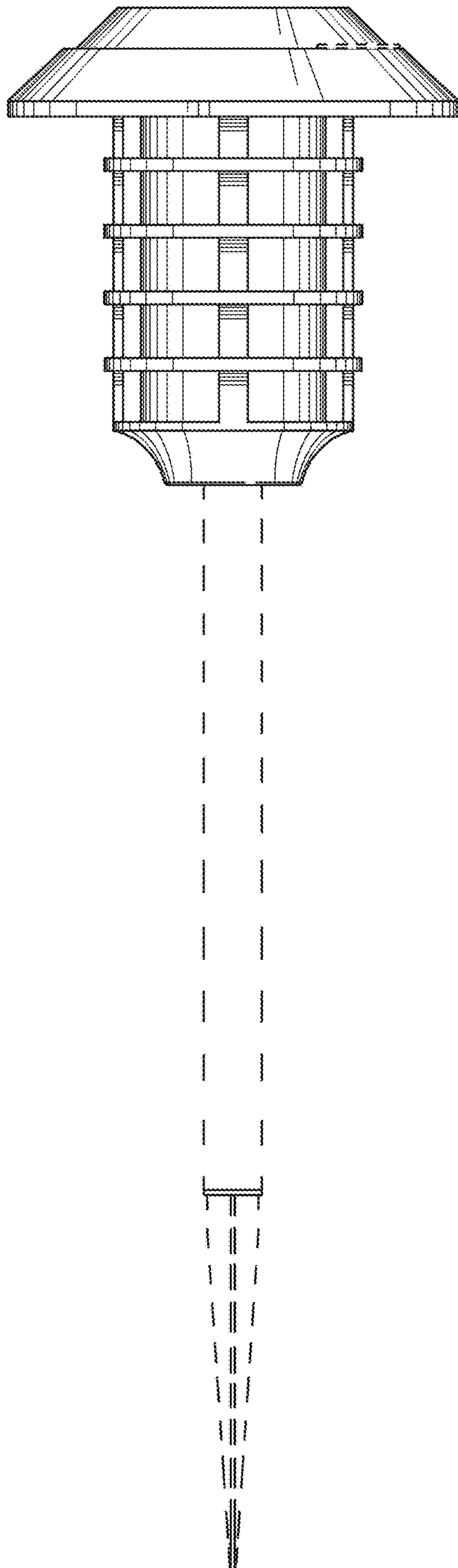


Fig. 3

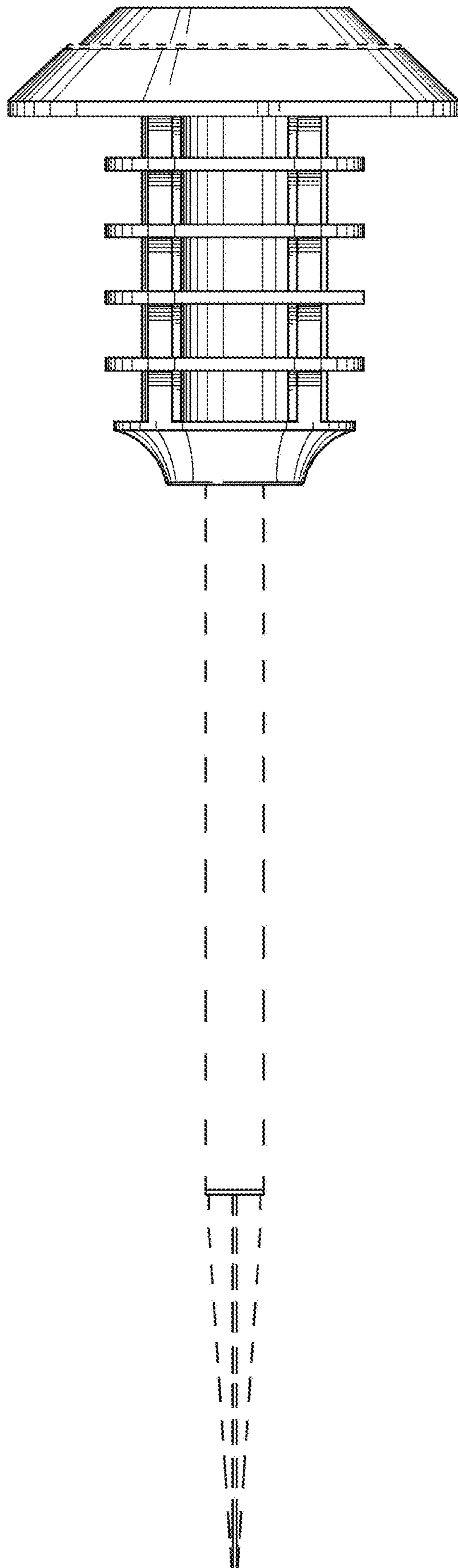


Fig. 4

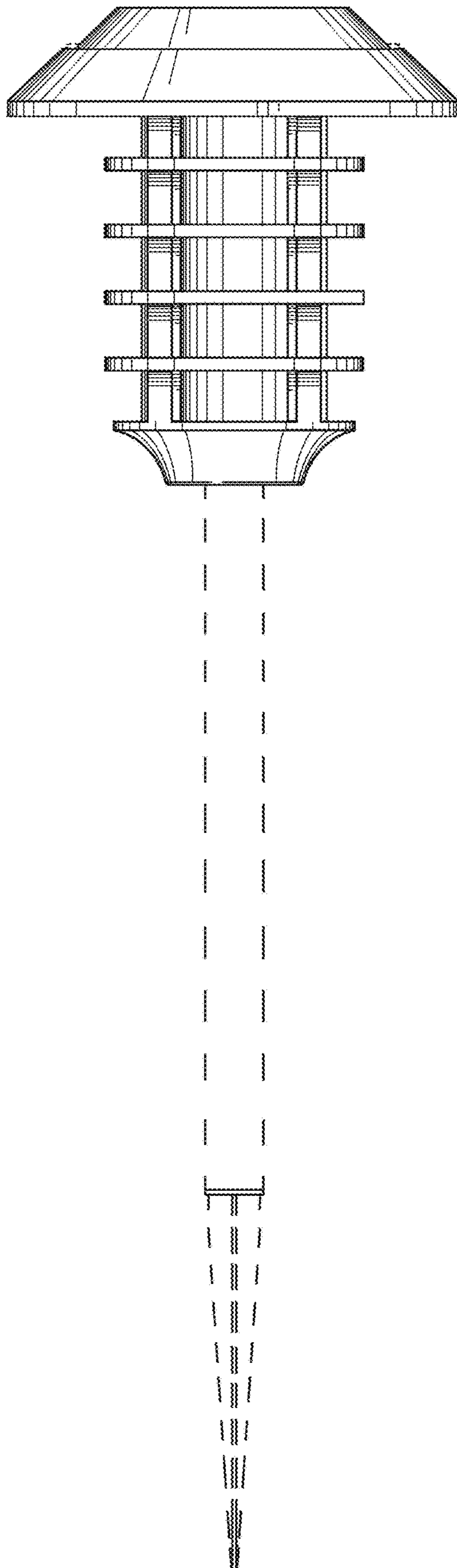


Fig. 5

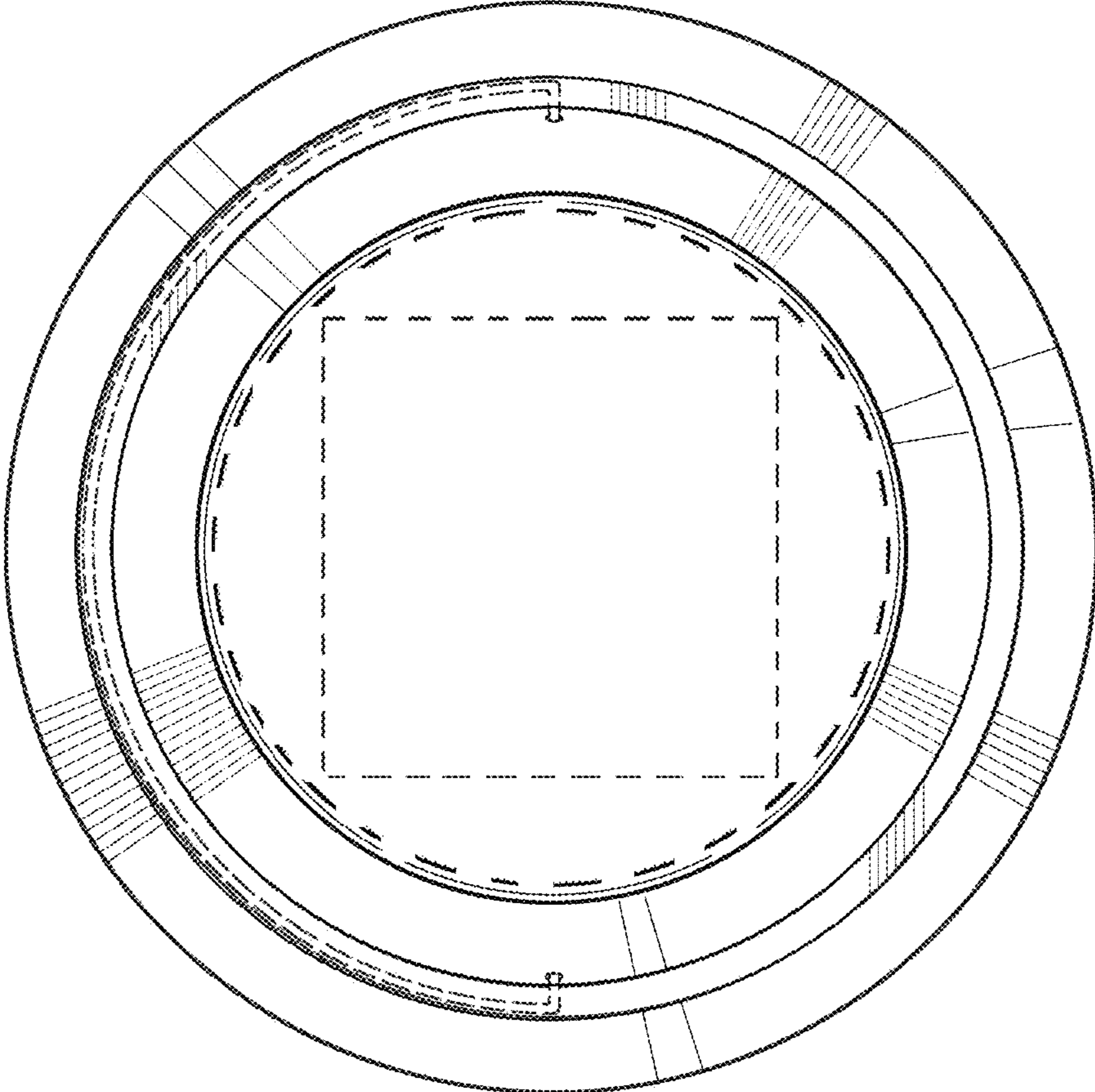


Fig. 6



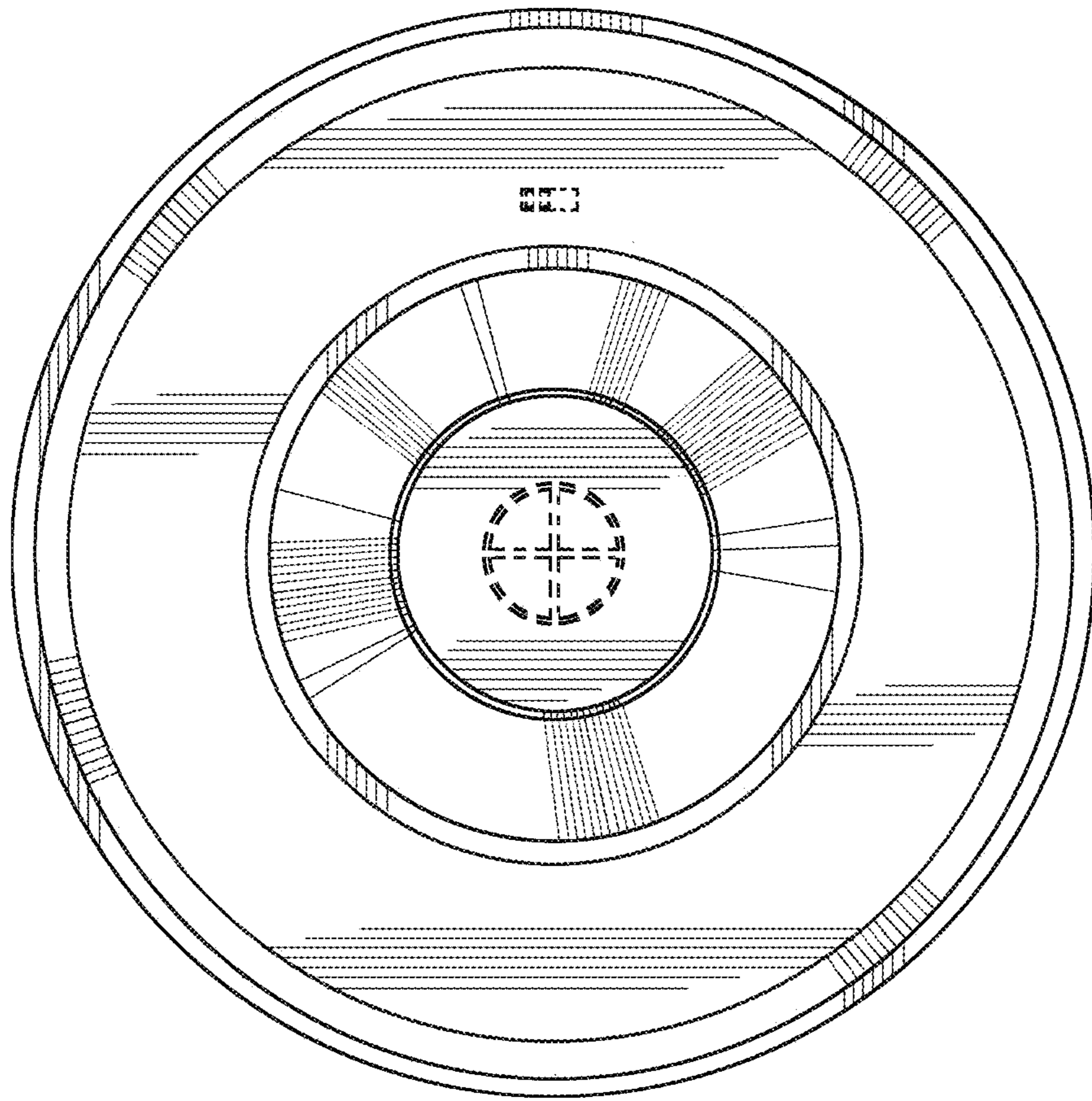


Fig.7

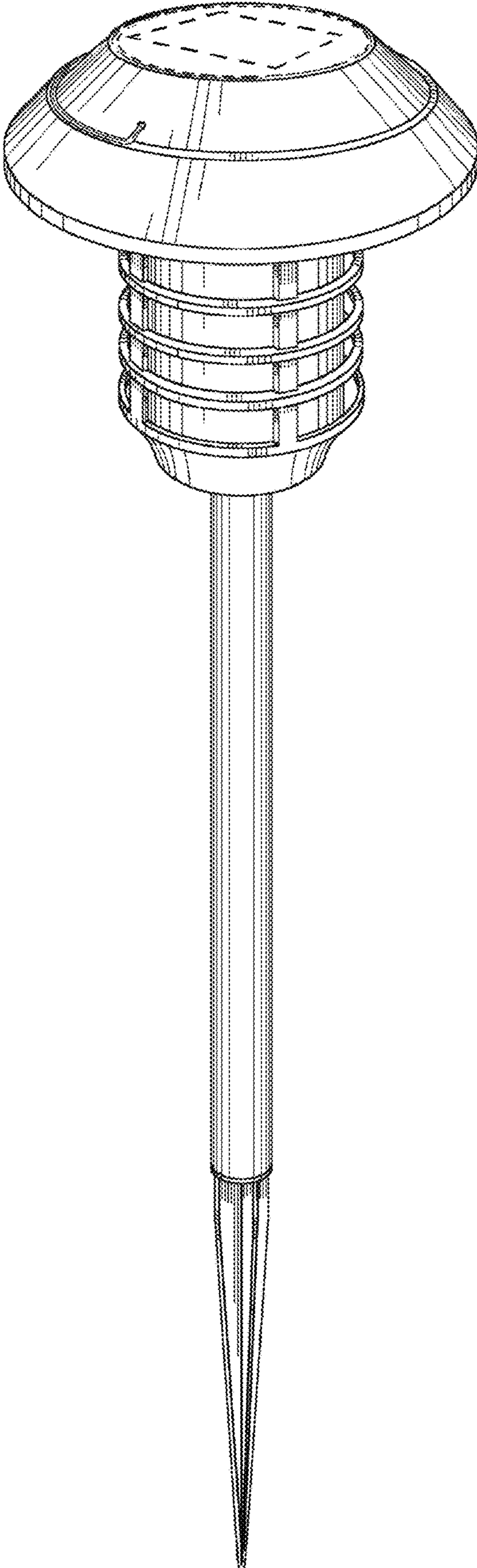


Fig. 8

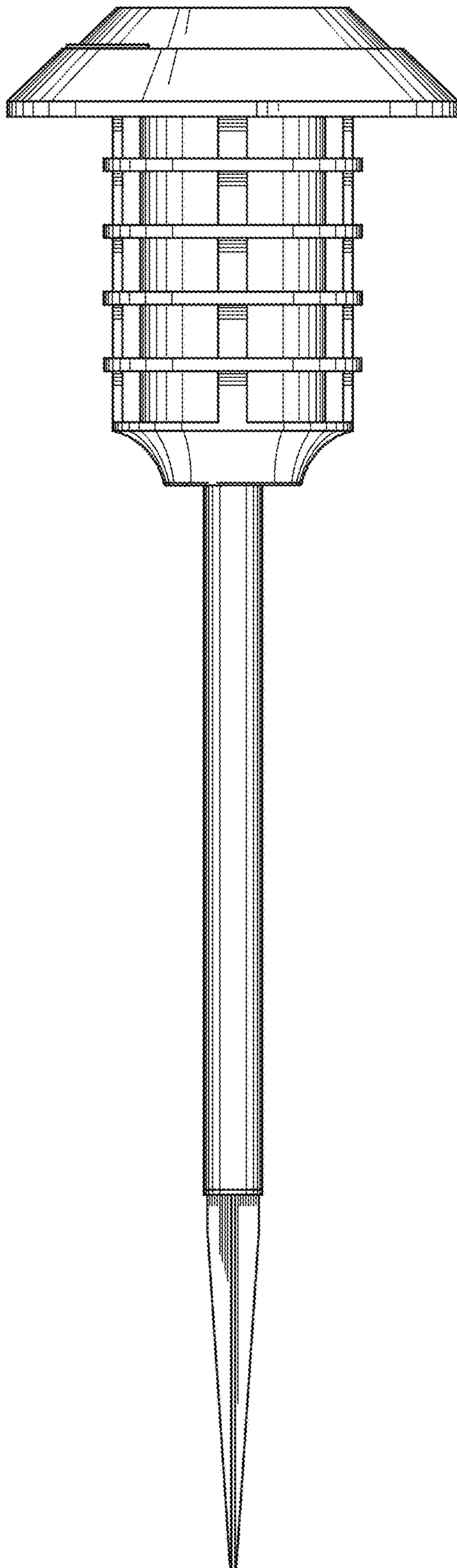


Fig. 9

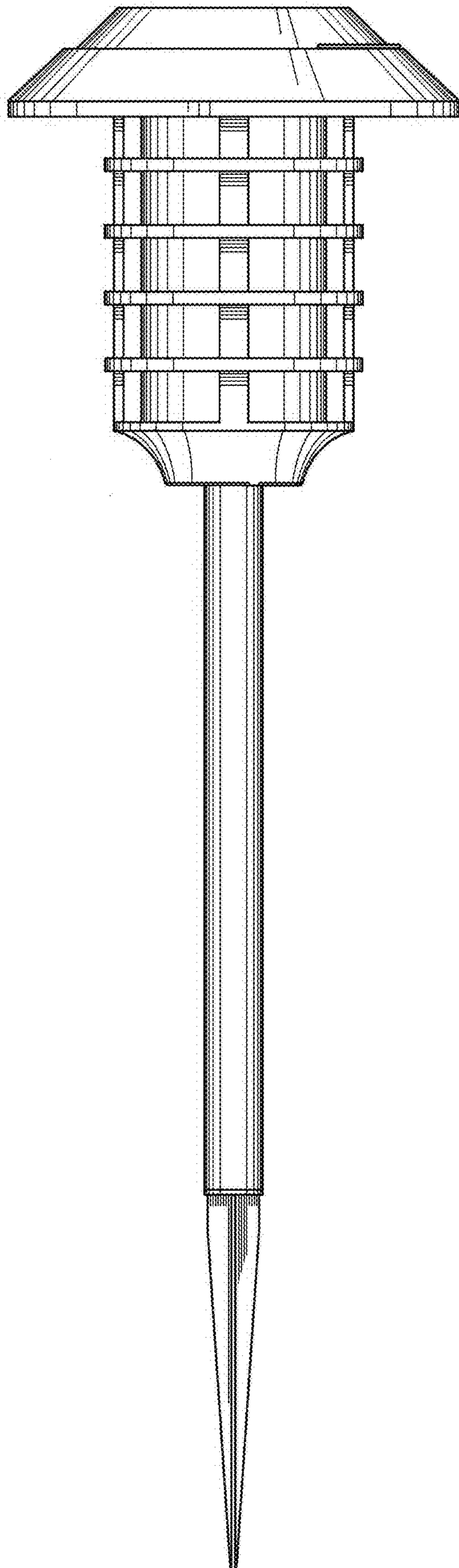


Fig. 10

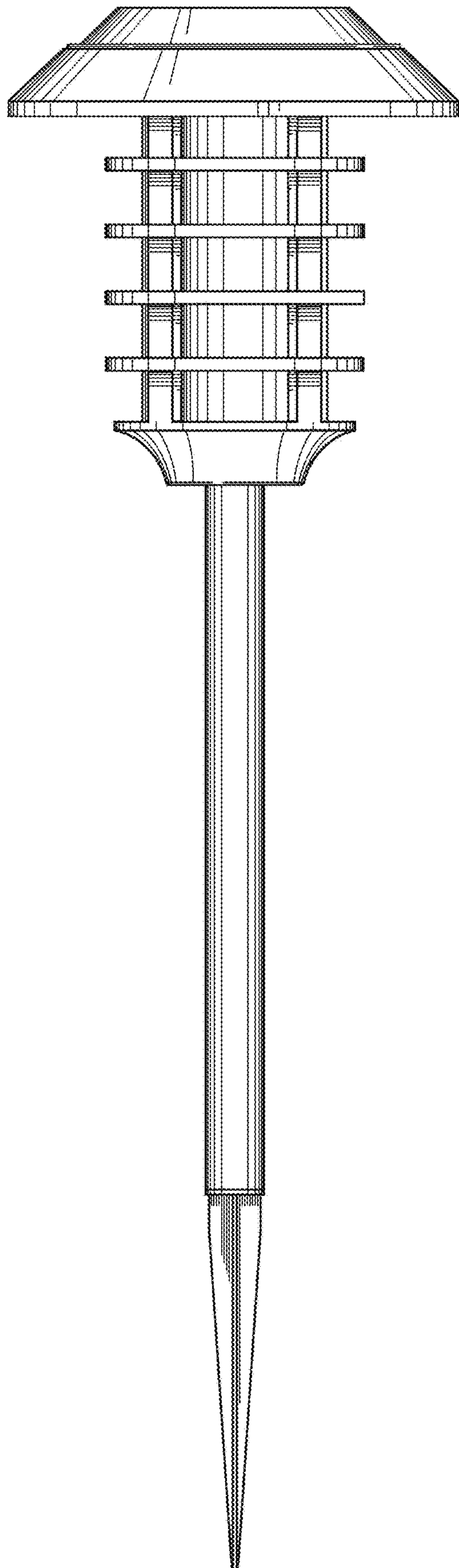


Fig. 11

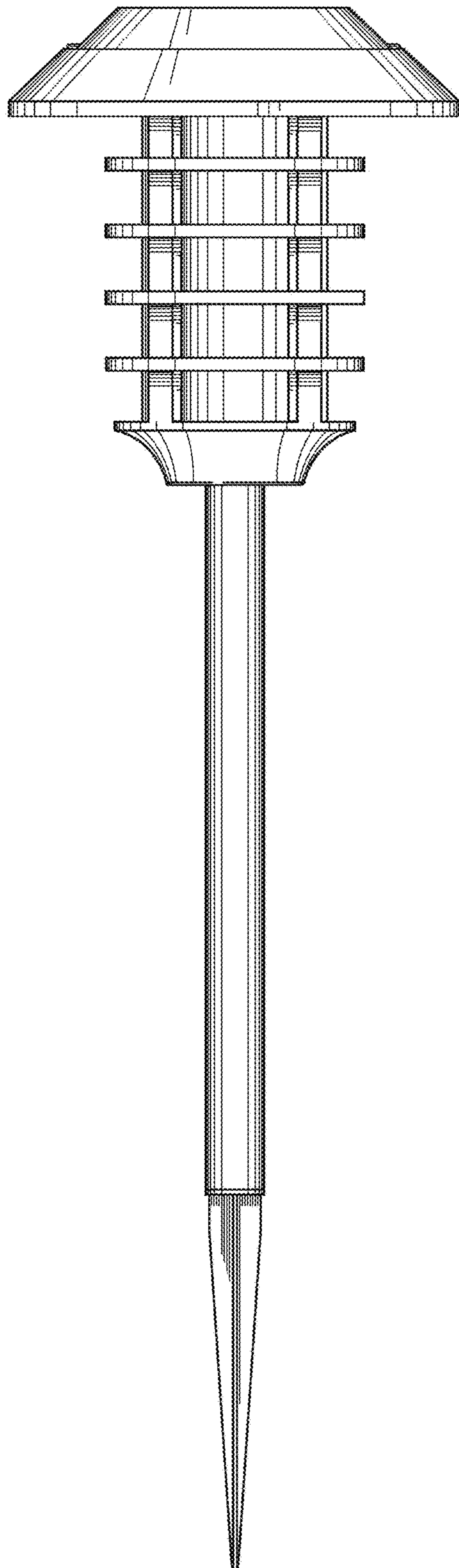


Fig. 12

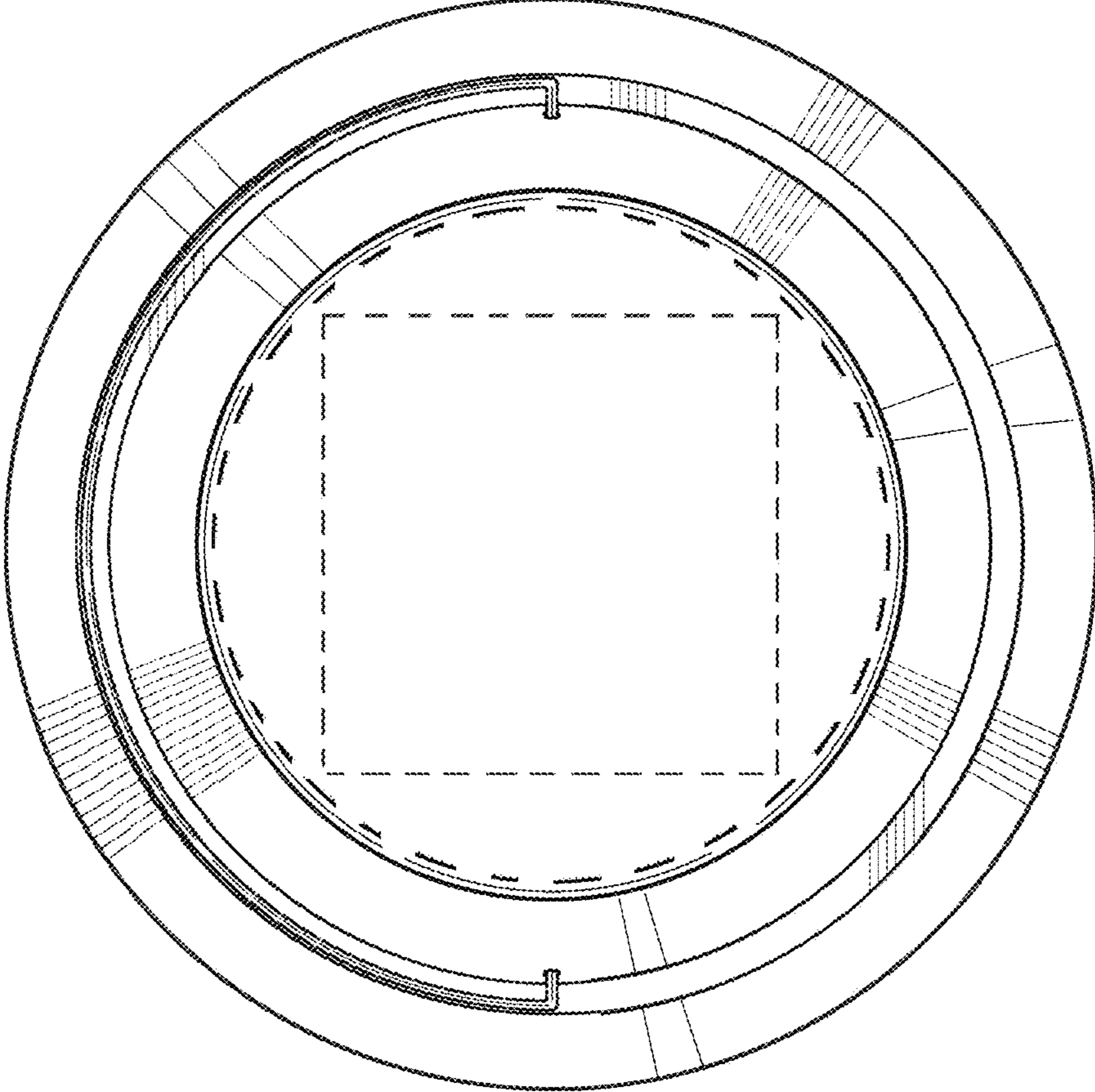


Fig.13

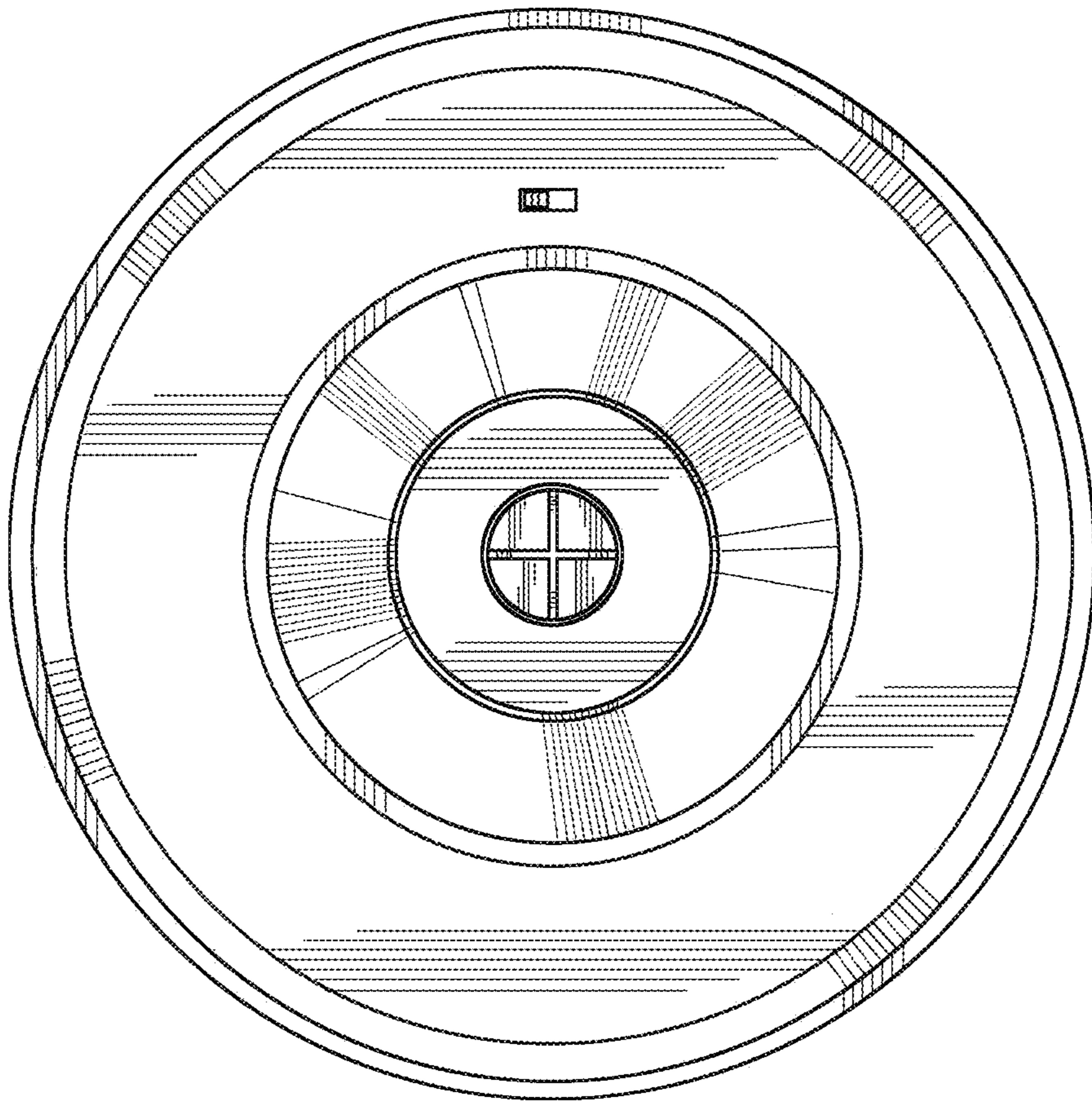


Fig.14