



US00D887609S

(12) **United States Design Patent**  
**Wu**

(10) **Patent No.:** **US D887,609 S**  
(45) **Date of Patent:** **\*\* Jun. 16, 2020**

- (54) **LAMP**
- (71) Applicant: **ShenZhen Ustellar technology co., LTD.,** Shenzhen (CN)
- (72) Inventor: **Hong-Wei Wu,** Shenzhen (CN)
- (73) Assignee: **ShenZhen Ustellar technology co., LTD.,** Shenzhen (CN)
- (\*\*) Term: **15 Years**
- (21) Appl. No.: **29/683,314**
- (22) Filed: **Mar. 12, 2019**
- (51) **LOC (12) Cl.** ..... **26-03**
- (52) **U.S. Cl.**  
USPC ..... **D26/63**
- (58) **Field of Classification Search**  
USPC ..... D26/60-66, 72, 86, 102, 85, 87, 92  
CPC ..... F21Y 2103/002; F21Y 2101/02; F21S  
10/00; F21V 21/30; F21V 14/02; F21V  
21/00  
See application file for complete search history.

D700,726 S *	3/2014	Kim	.....	D26/63
D711,030 S *	8/2014	Zhan	.....	D26/65
D744,684 S *	12/2015	Guercio	.....	D26/63
D799,094 S *	10/2017	Li	.....	D26/63
D803,449 S *	11/2017	Xu	.....	D26/63
D816,253 S *	4/2018	Ruberg	.....	D26/63
D848,044 S *	5/2019	Zhu	.....	D26/63
D848,654 S *	5/2019	Zhu	.....	D26/63
D869,544 S *	12/2019	Zhan	.....	D26/63

\* cited by examiner

*Primary Examiner* — Brian N. Vinson  
(74) *Attorney, Agent, or Firm* — ScienBiziP, P.C.

(57) **CLAIM**

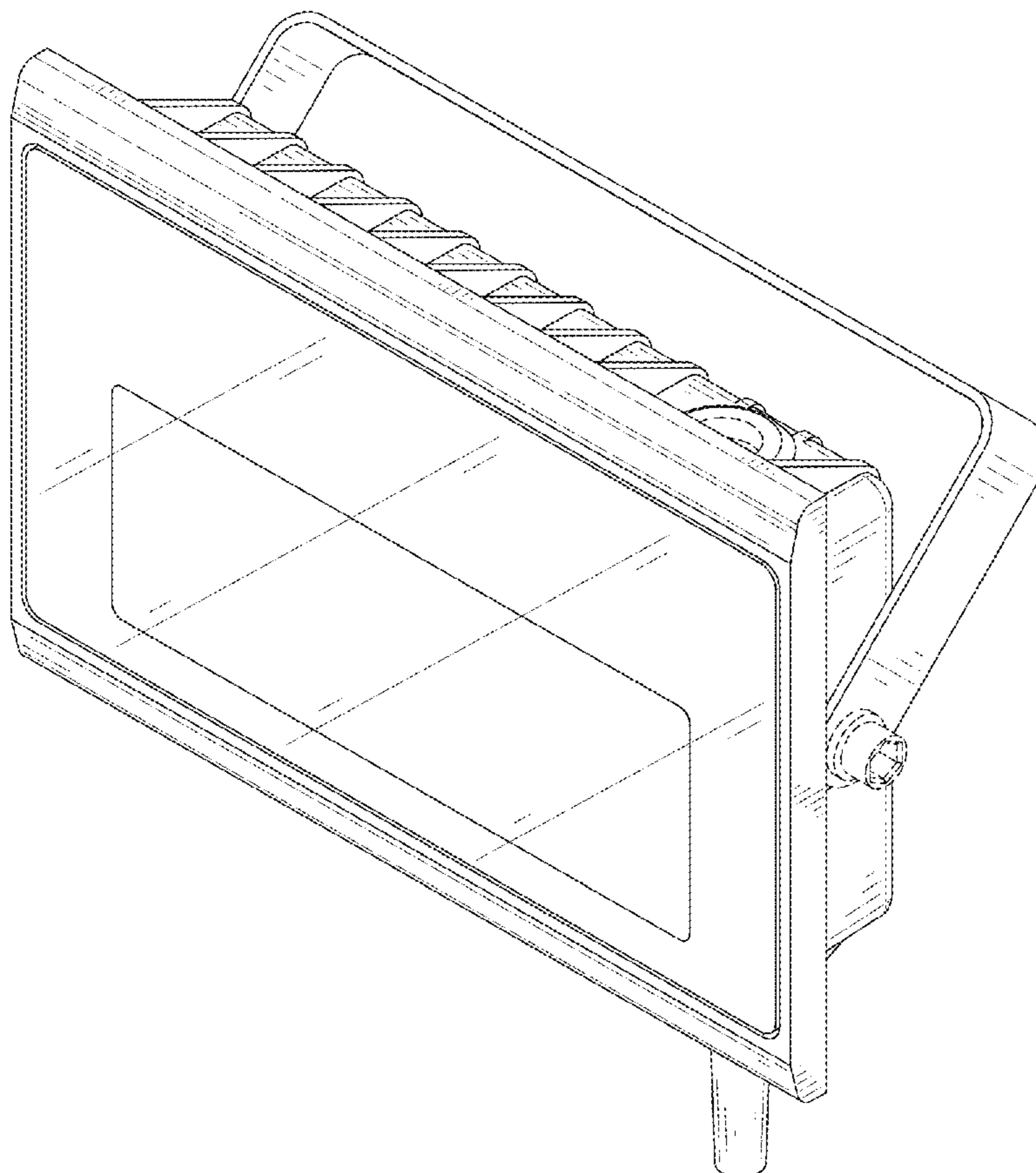
The ornamental design for lamp, as shown and described.

**DESCRIPTION**

FIG. 1 is a first perspective view of a lamp showing my new design;  
 FIG. 2 is a second perspective view thereof;  
 FIG. 3 is a front elevational view thereof;  
 FIG. 4 is a rear elevational view thereof;  
 FIG. 5 is a left side elevational view thereof;  
 FIG. 6 is a right side elevational view thereof;  
 FIG. 7 is a top plan view thereof; and,  
 FIG. 8 is a bottom plan view thereof.  
 The broken line disclosure represents portions of the lamp which form no part of the claimed design.

**1 Claim, 8 Drawing Sheets**

- (56) **References Cited**  
U.S. PATENT DOCUMENTS  
7,780,318 B2 \* 8/2010 Xiao ..... F21V 21/30  
362/371  
D650,505 S \* 12/2011 Oka ..... D26/63



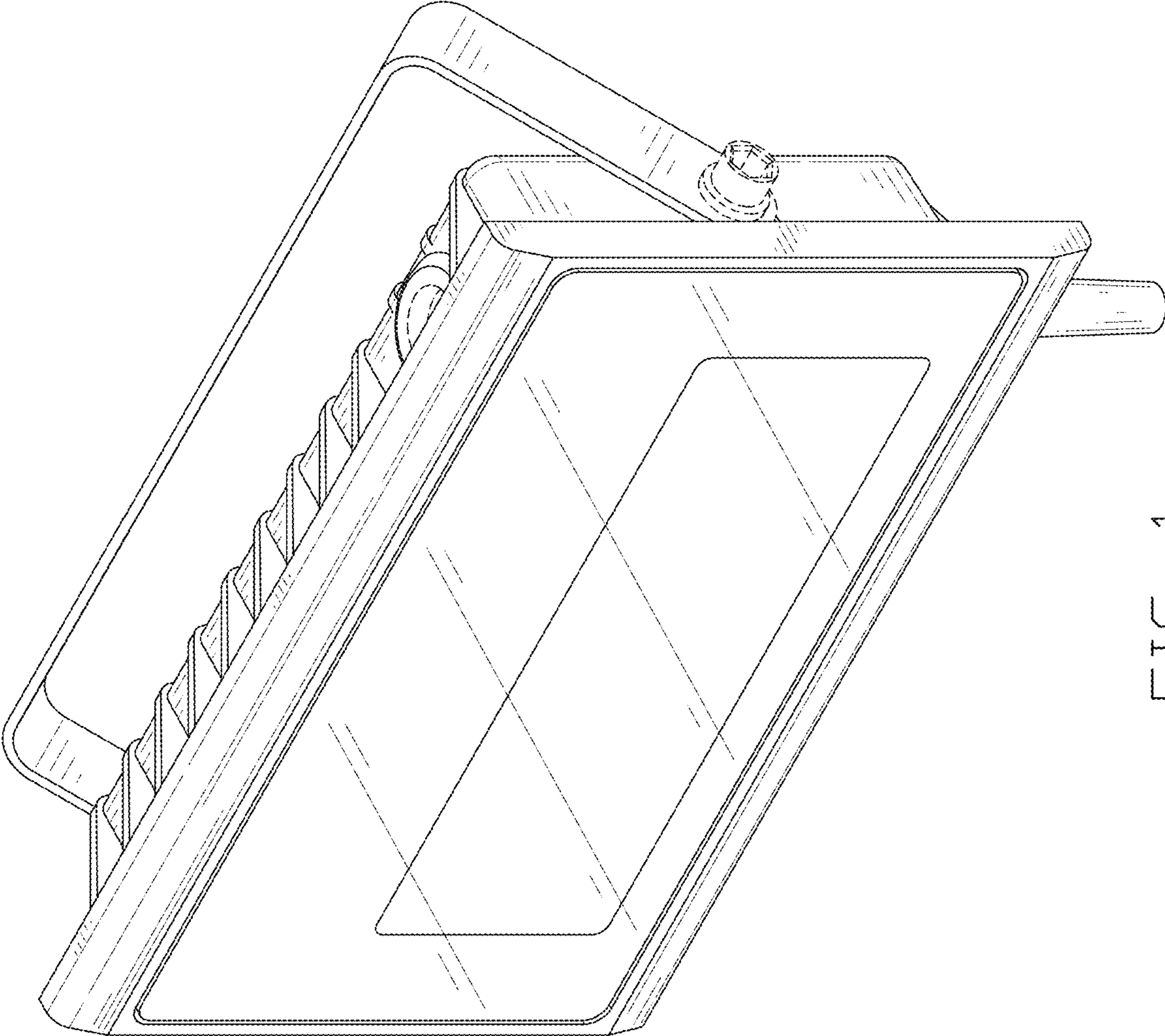


FIG. 1

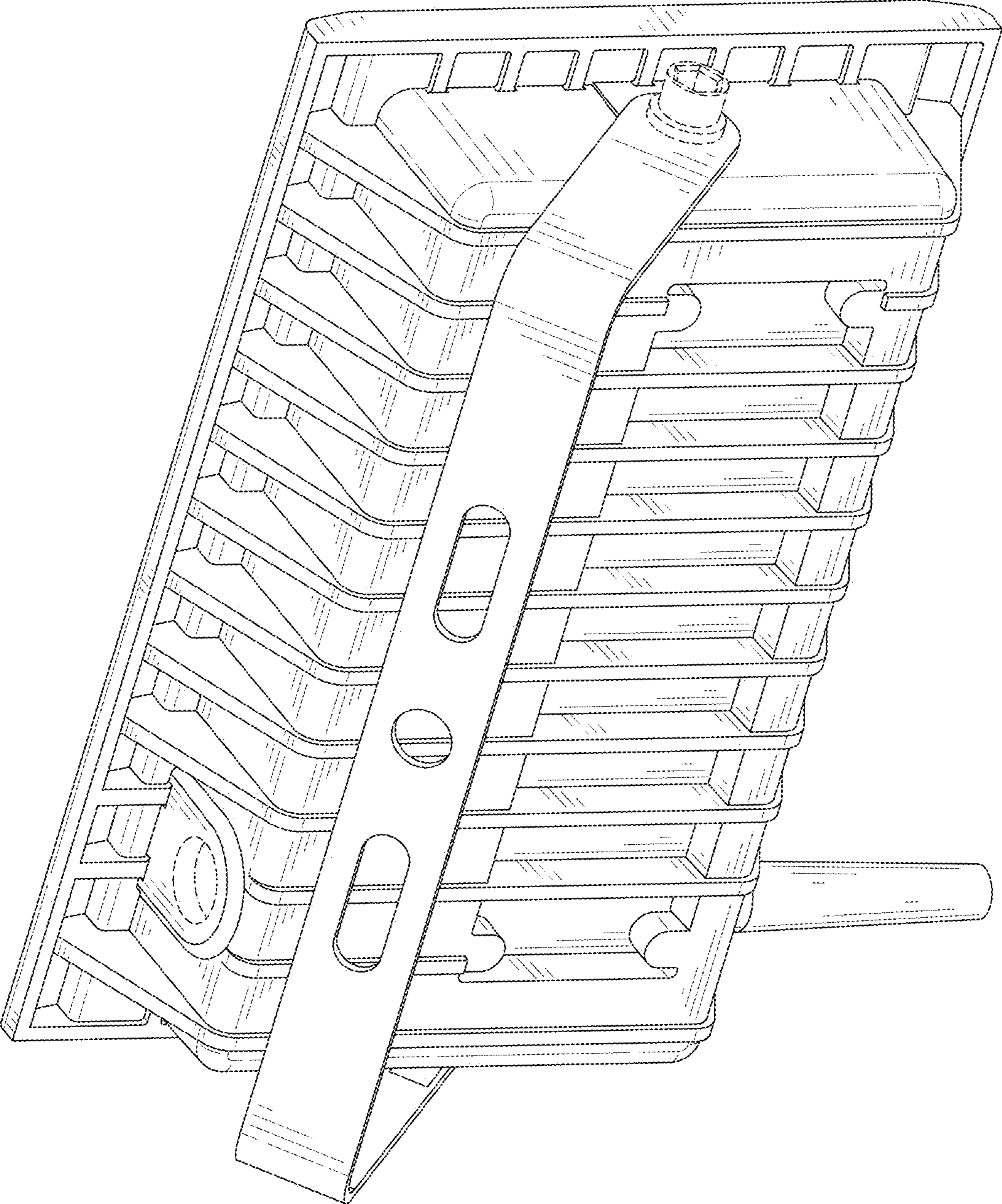


FIG. 2



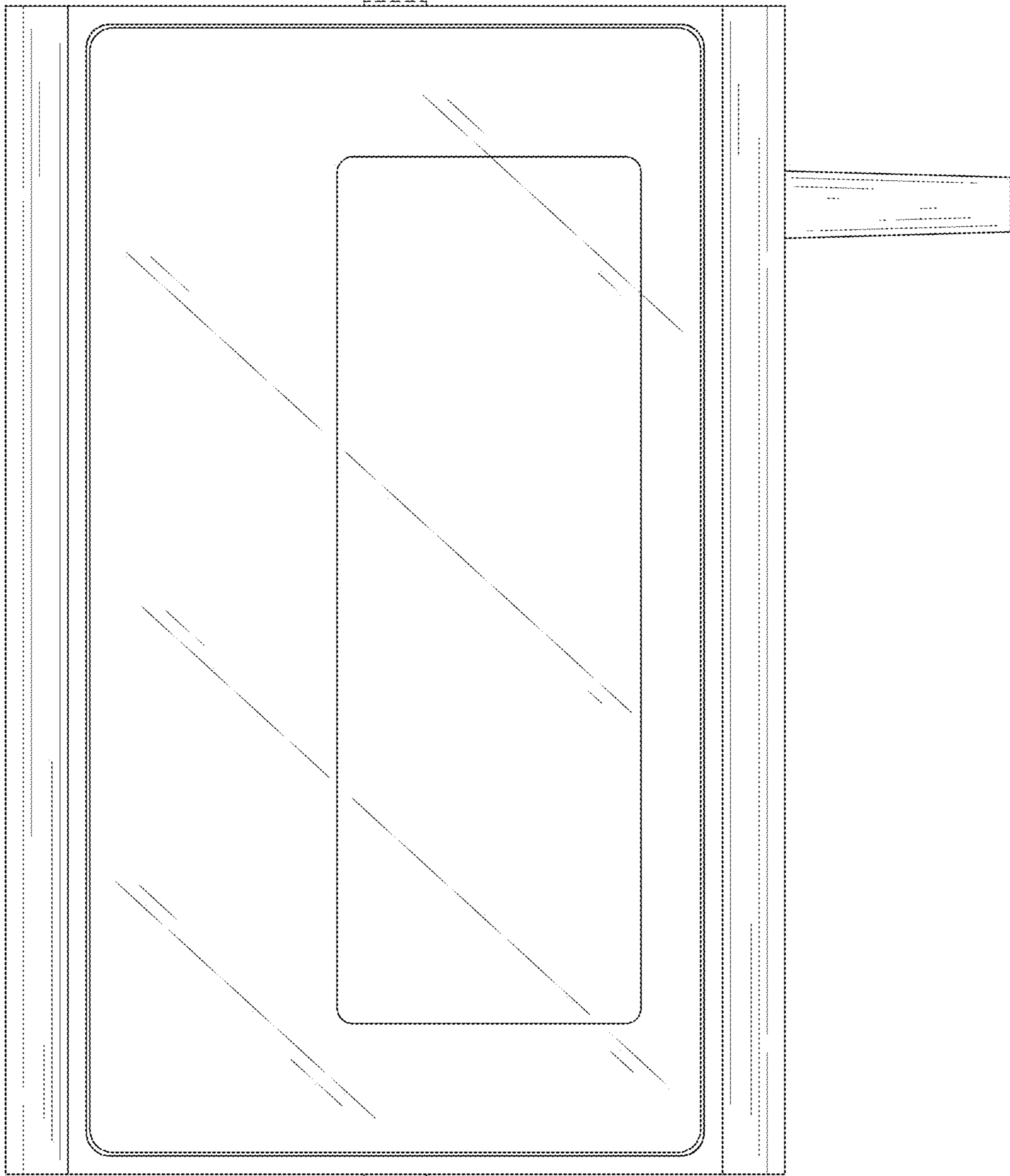


FIG. 3

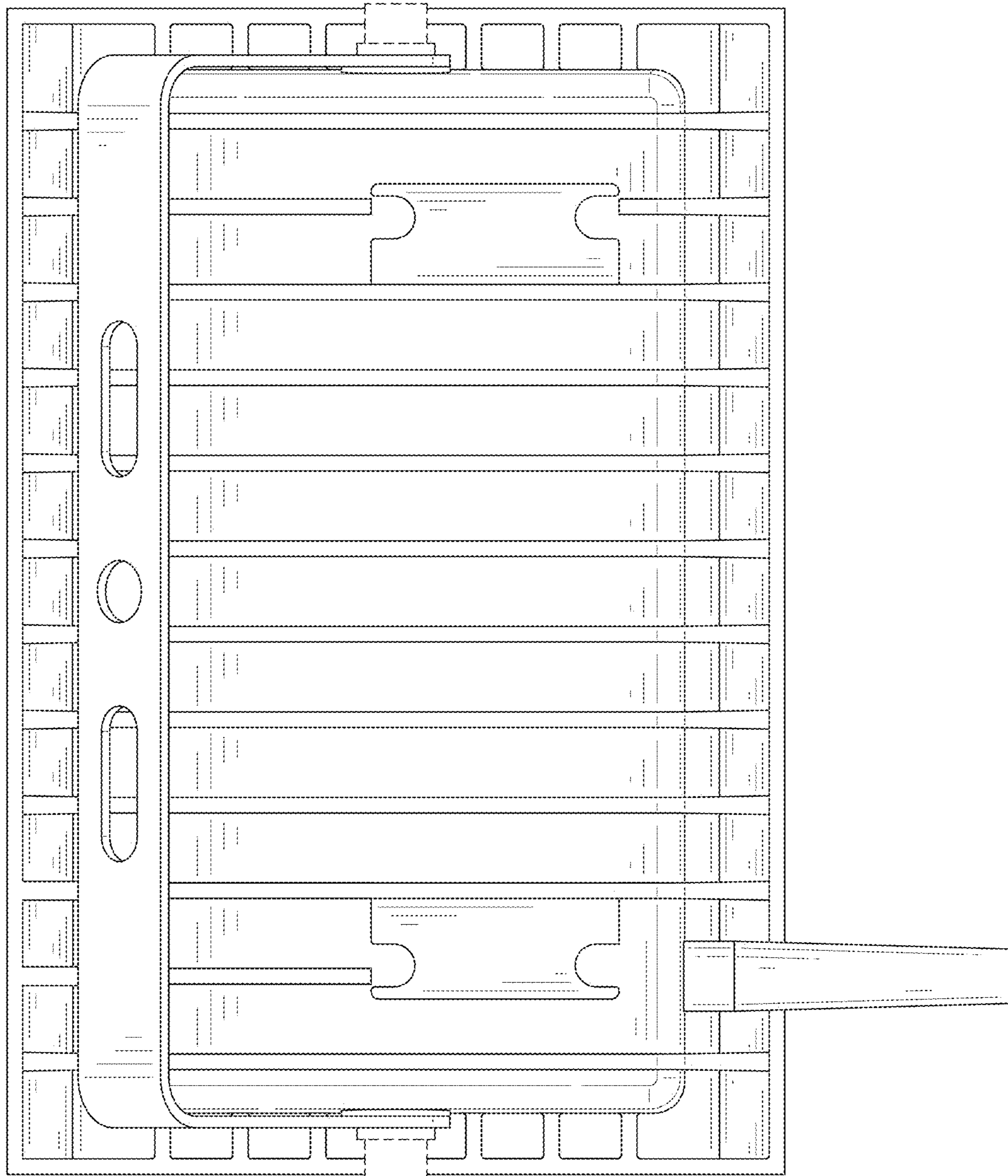


FIG. 4

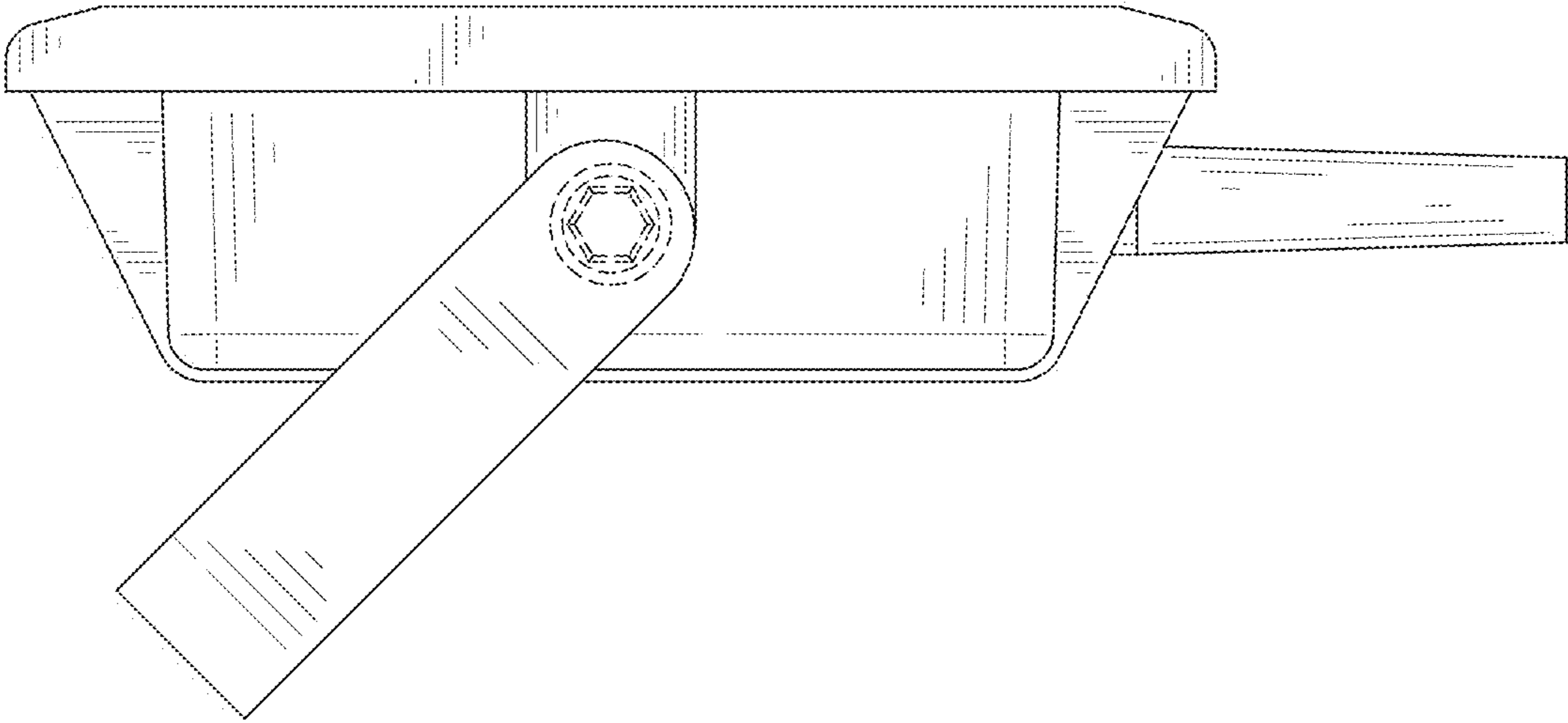


FIG. 5

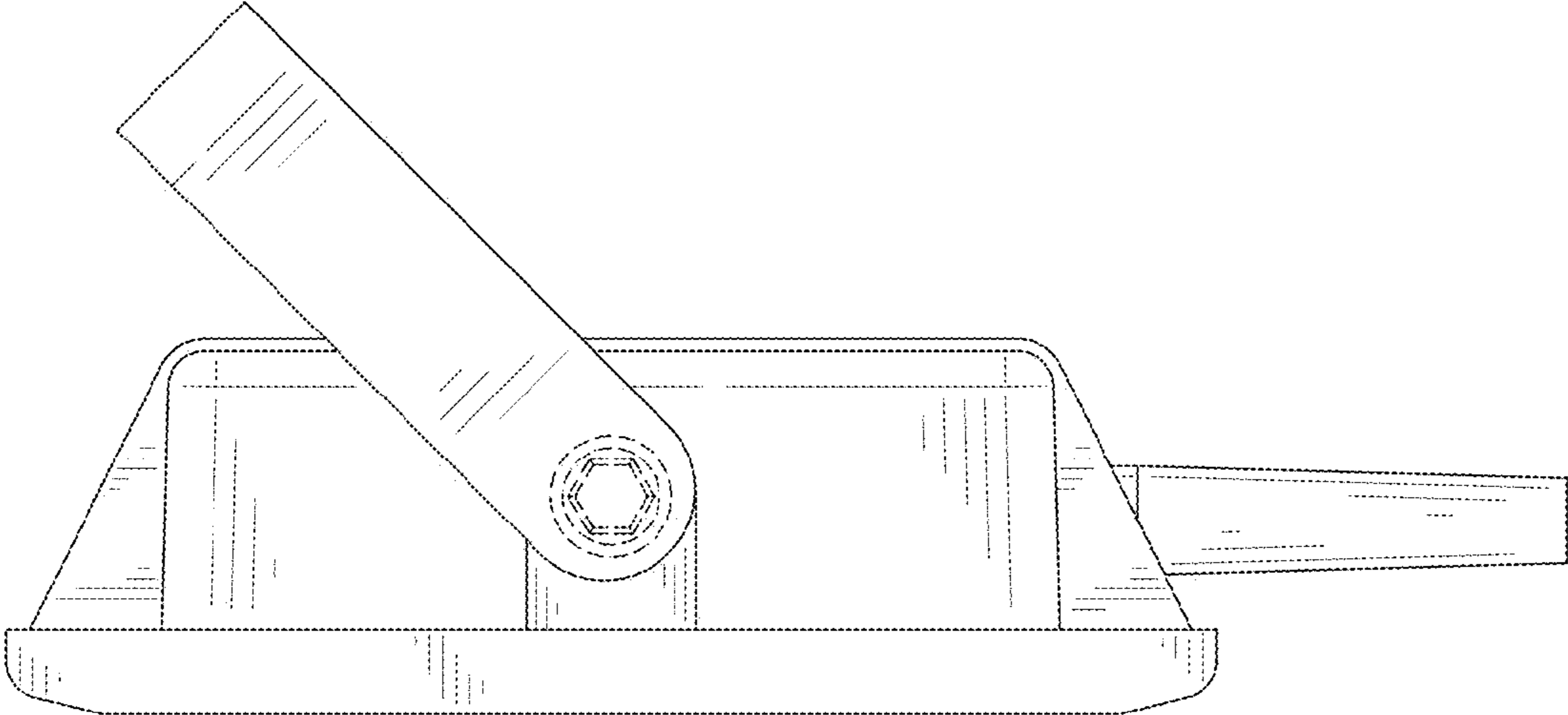


FIG. 6

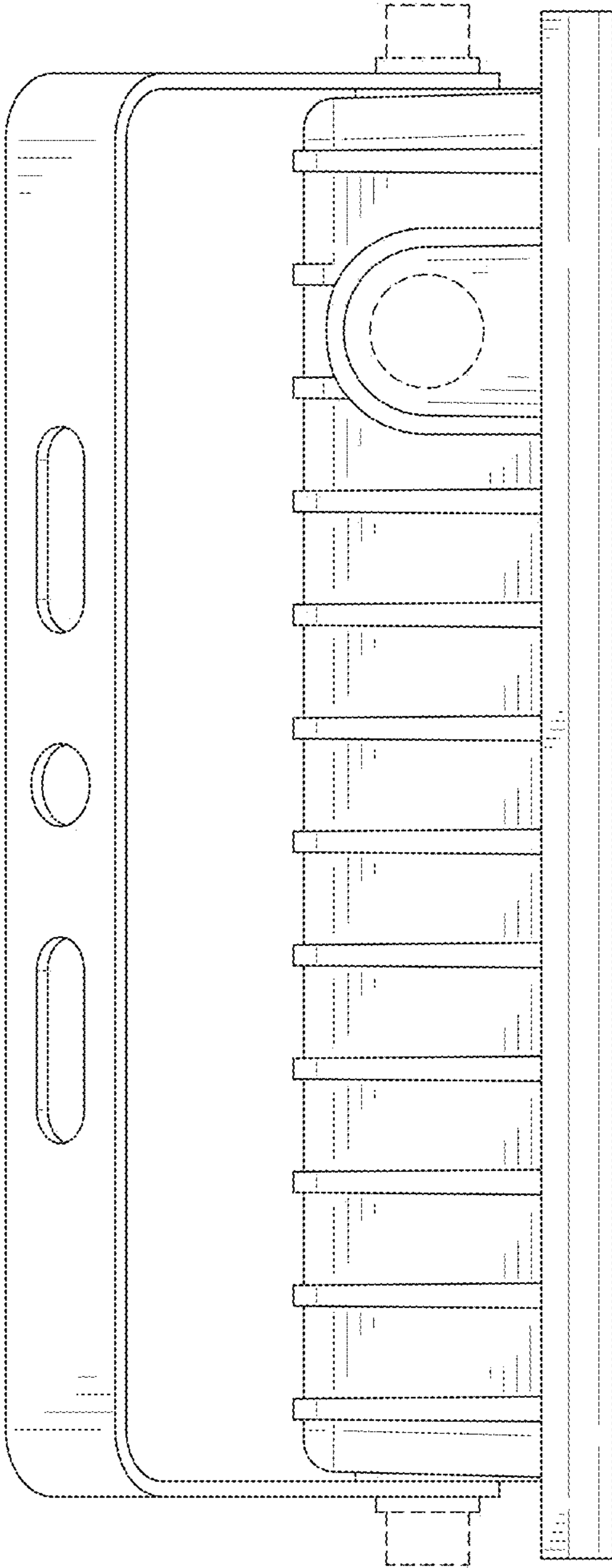


FIG. 7



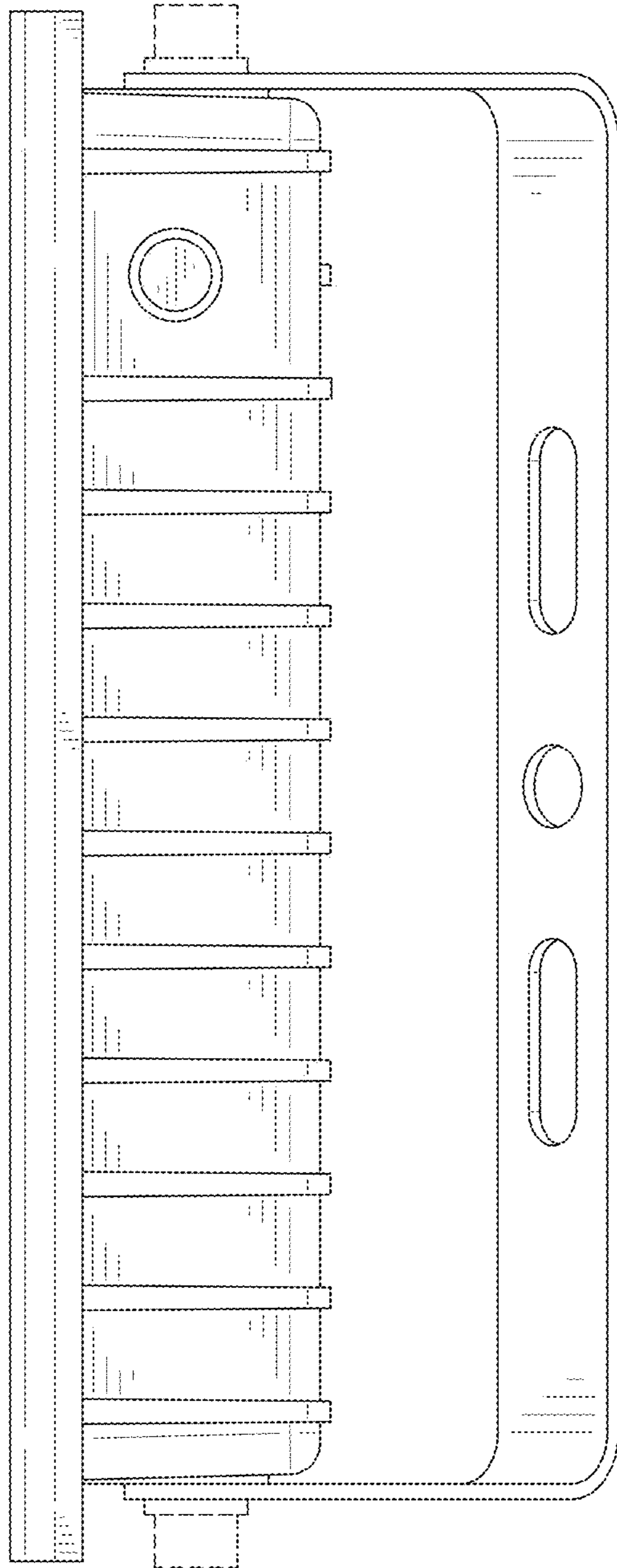


FIG. 8