



US00D887608S

(12) **United States Design Patent**  
**Zhang**

(10) **Patent No.:** **US D887,608 S**  
(45) **Date of Patent:** **\*\* Jun. 16, 2020**

(54) **LED LIGHTS**

(71) Applicant: **FoShan Brighter LED Lighting Co., Ltd.**, Foshan (CN)

(72) Inventor: **Xiangcheng Zhang**, Pingjiang (CN)

(73) Assignee: **FoShan Brighter LED Lighting Co., Ltd.** (CN)

(\*\*) Term: **15 Years**

(21) Appl. No.: **29/681,328**

(22) Filed: **Feb. 25, 2019**

(51) **LOC (12) Cl.** ..... **26-03**

(52) **U.S. Cl.**  
USPC ..... **D26/63**

(58) **Field of Classification Search**

USPC ..... D26/24, 51, 61, 63, 65, 72, 80  
CPC .... F21S 8/04; F21S 8/00; F21V 21/00; F21V 17/02; F21V 14/02; F21V 21/30; F21V 21/14; F21V 21/26; F21W 2131/10  
See application file for complete search history.

(56) **References Cited**

**U.S. PATENT DOCUMENTS**

D781,481 S \* 3/2017 Chen ..... D26/65  
D799,104 S \* 10/2017 Chen ..... D26/63

D866,036 S \* 11/2019 Tan ..... D26/63  
D875,983 S \* 2/2020 Zhu ..... D26/63

\* cited by examiner

*Primary Examiner* — Brian N. Vinson

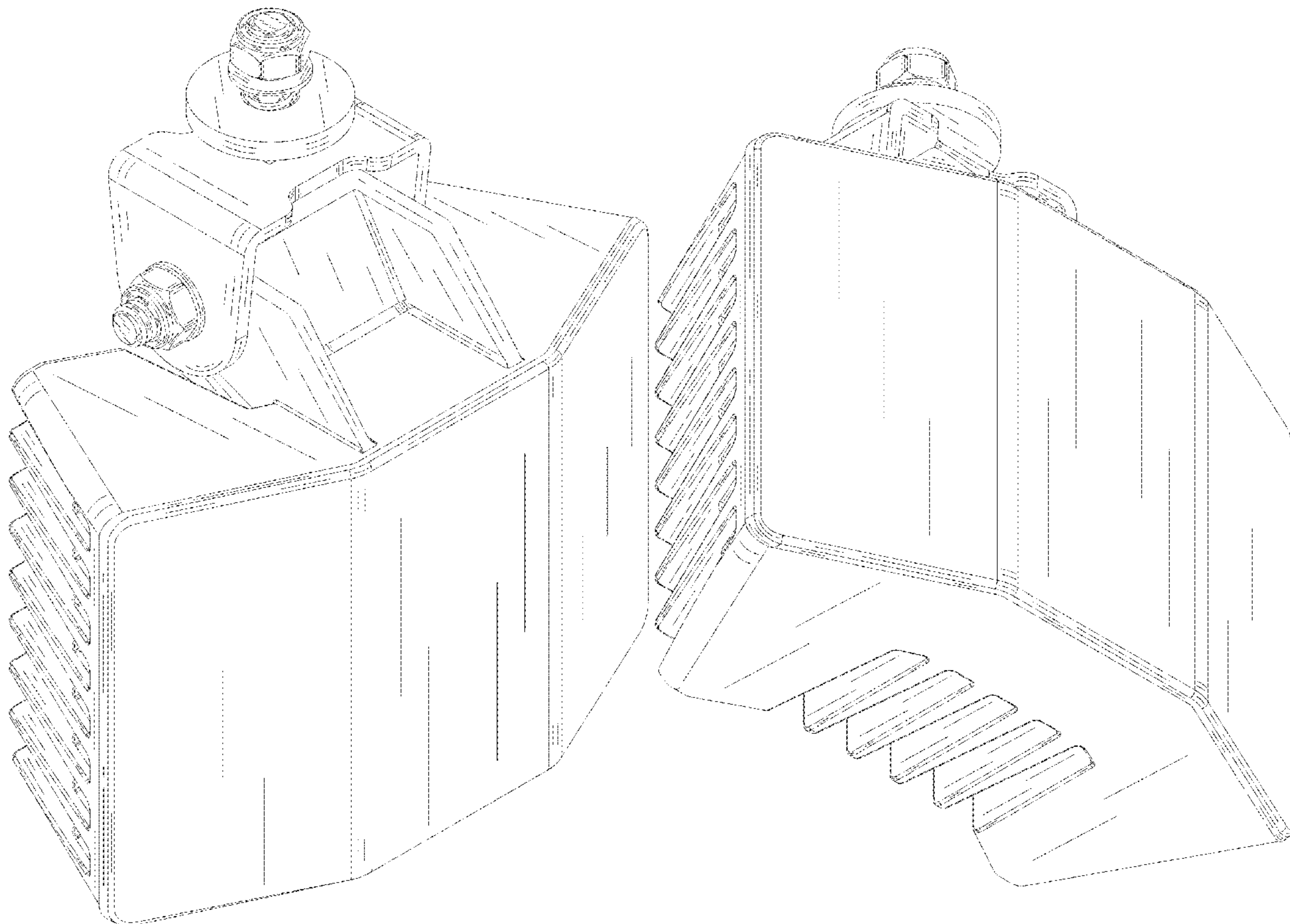
(57) **CLAIM**

The ornamental design for a LED lights, as shown and described.

**DESCRIPTION**

FIG. 1 is a front view of a LED lights, showing my new design;  
FIG. 2 is a back view thereof;  
FIG. 3 is a left side view thereof;  
FIG. 4 is a right side view thereof;  
FIG. 5 is a top view thereof;  
FIG. 6 is a bottom view thereof;  
FIG. 7 is a perspective view thereof; and,  
FIG. 8 is another perspective view thereof, shown with the stand in extended condition.

**1 Claim, 8 Drawing Sheets**



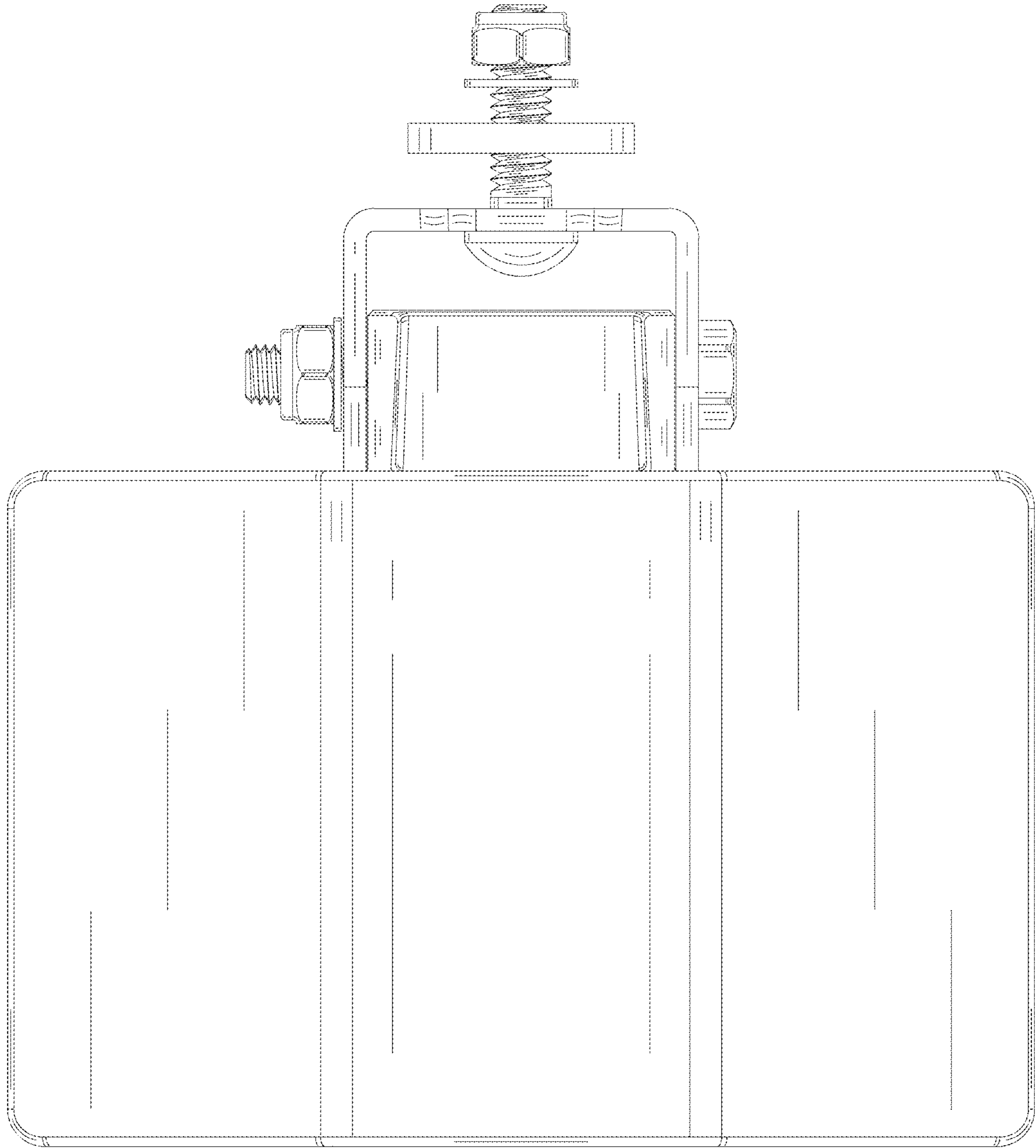


FIG. 1



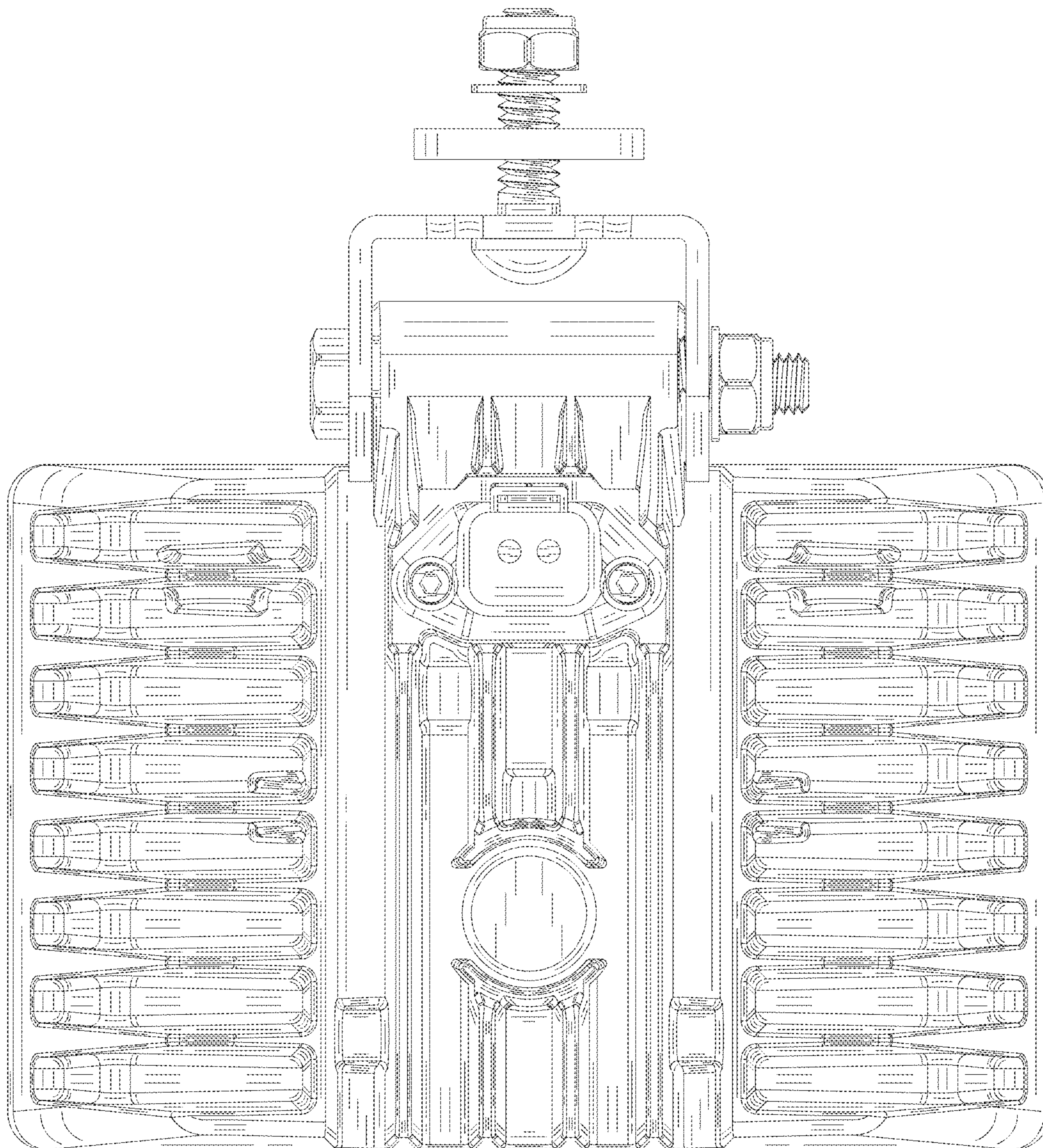


FIG. 2

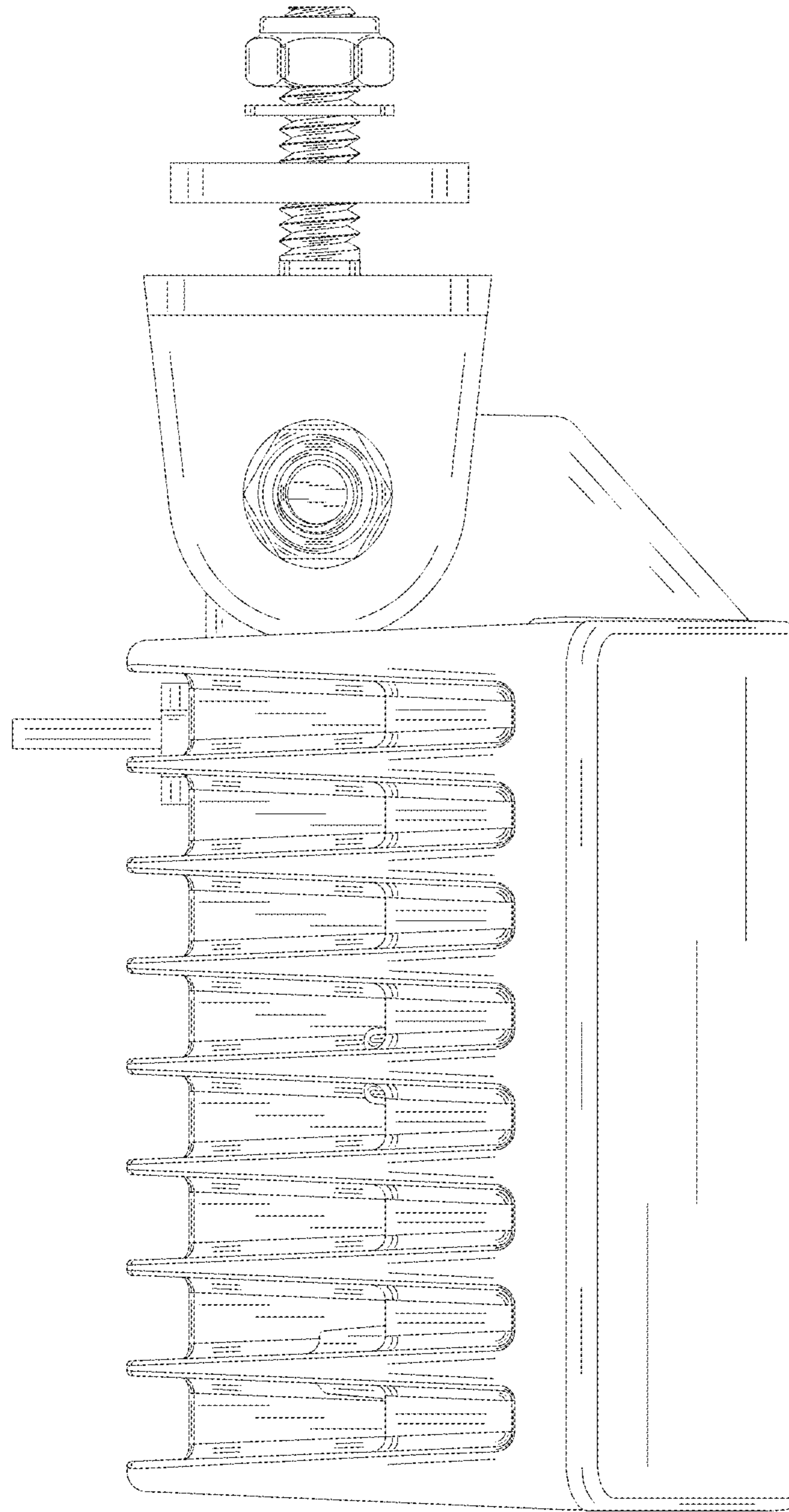


FIG. 3

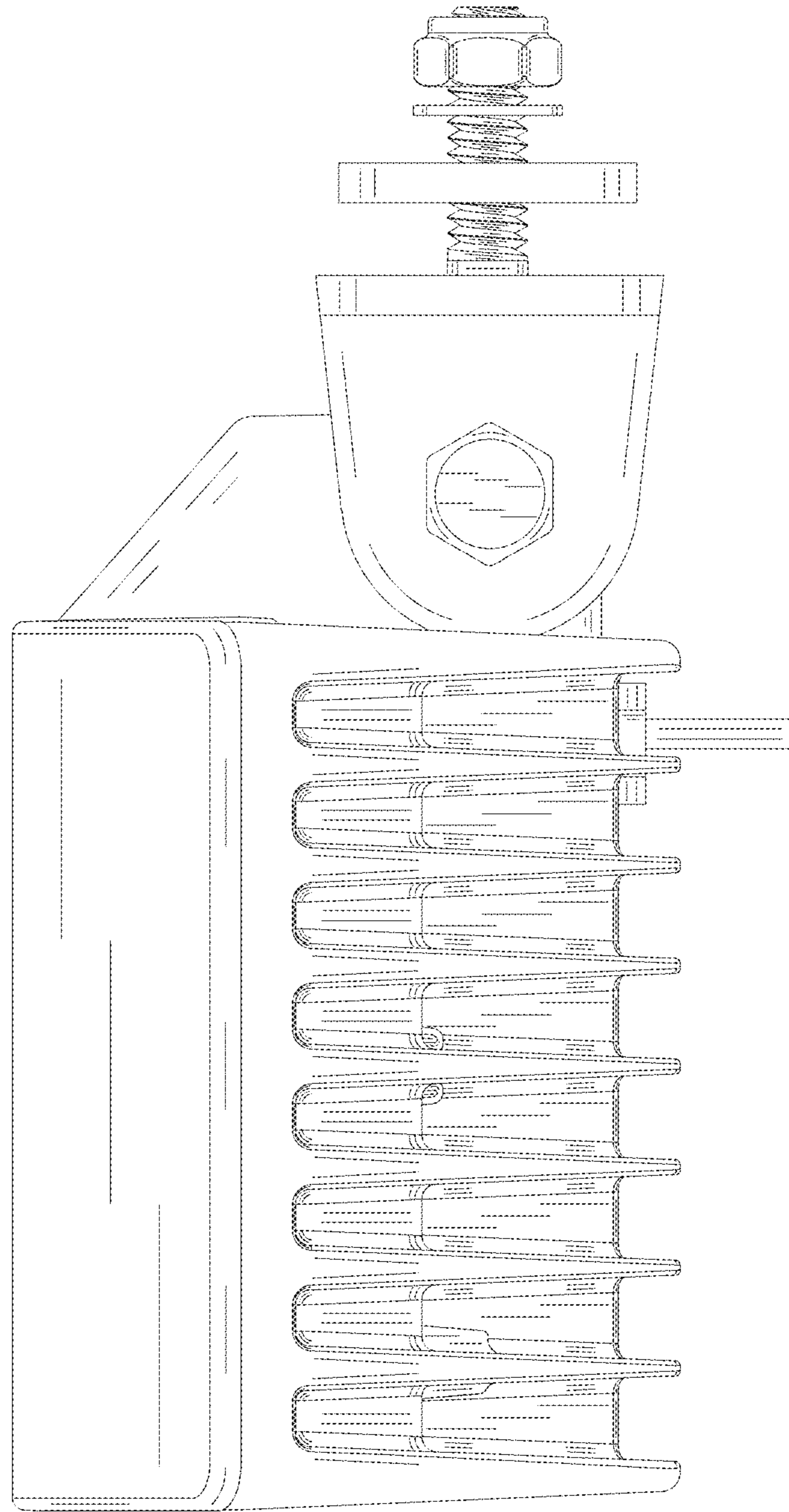


FIG. 4



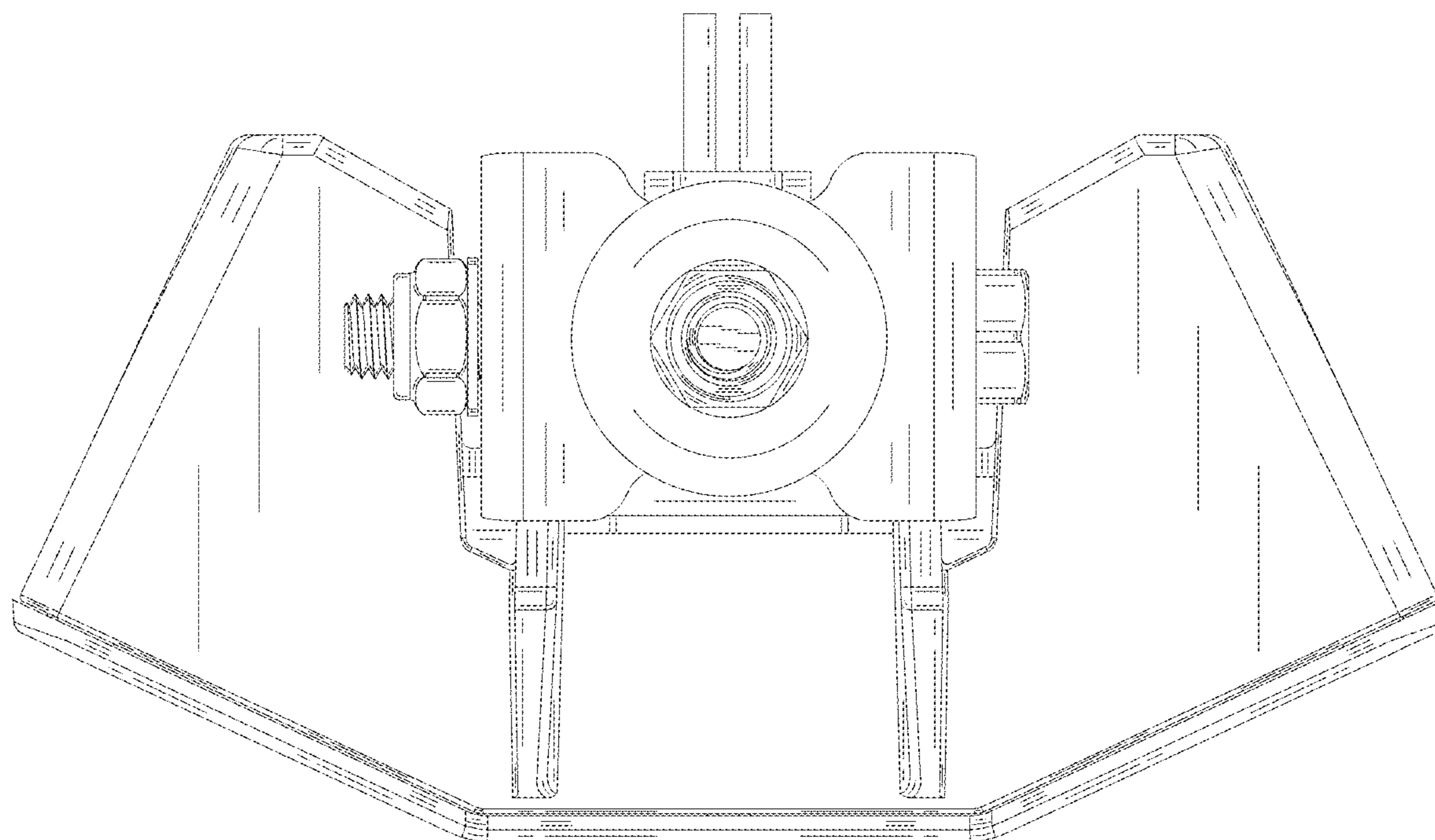


FIG. 5

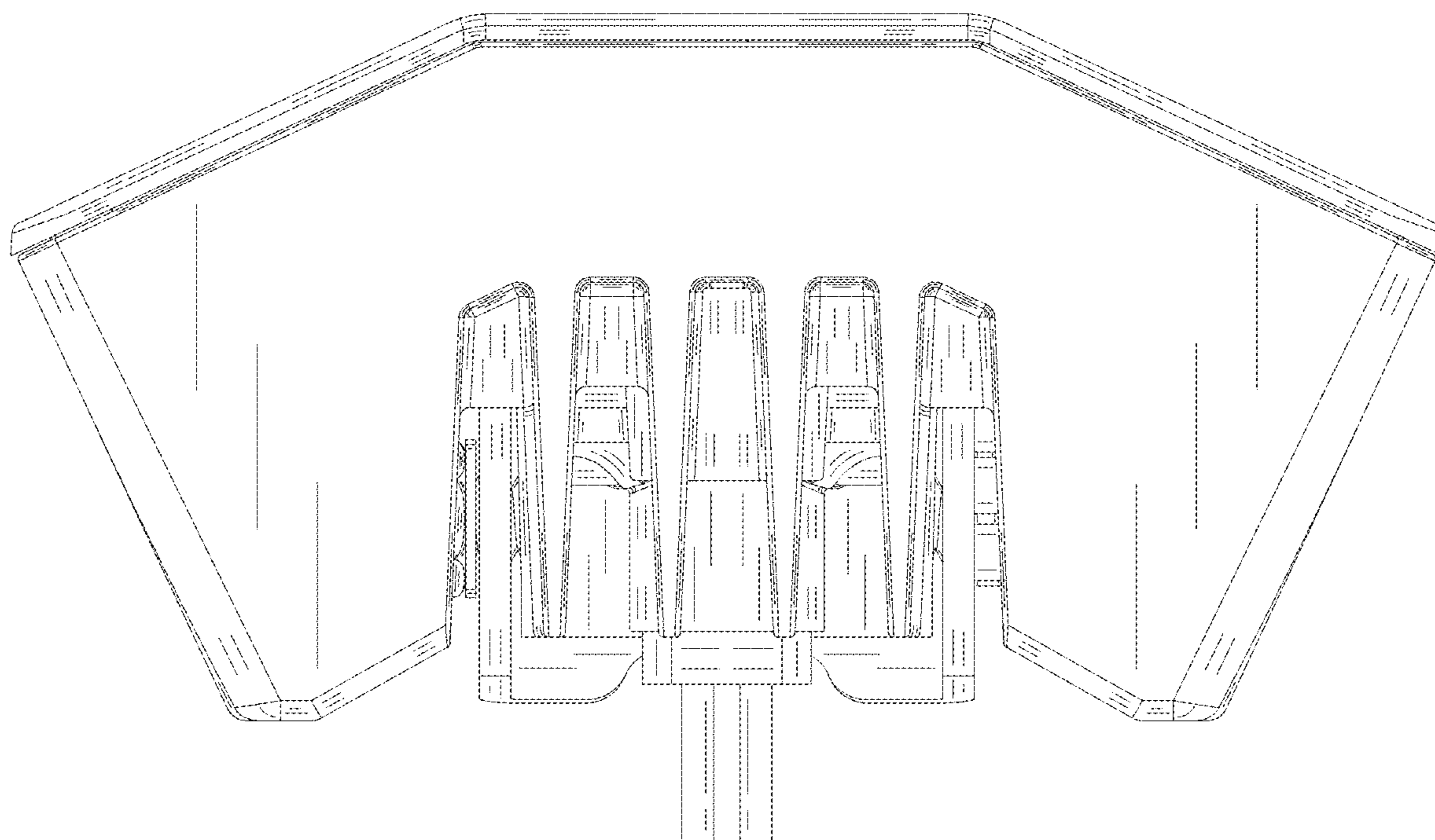


FIG. 6

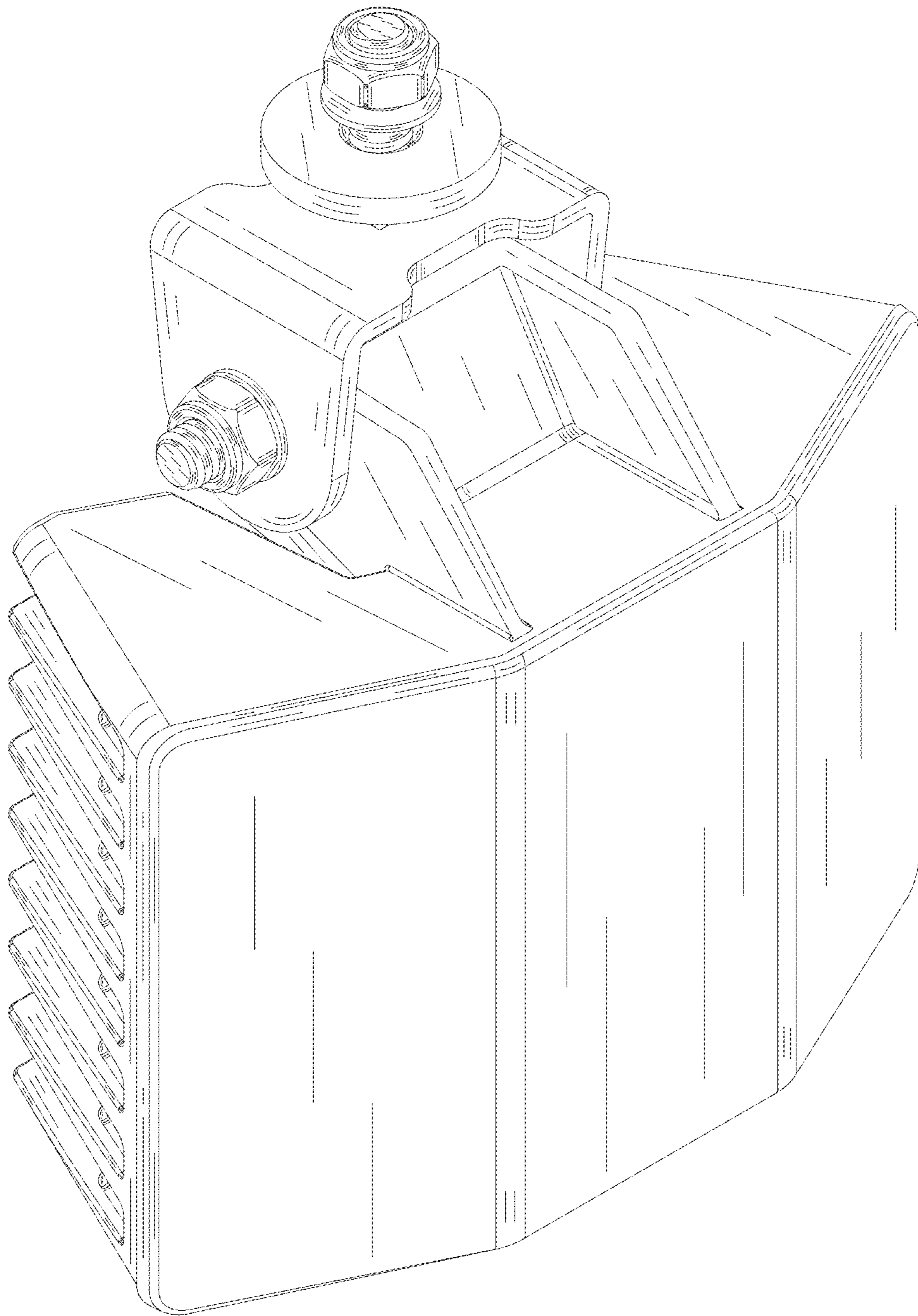


FIG. 7



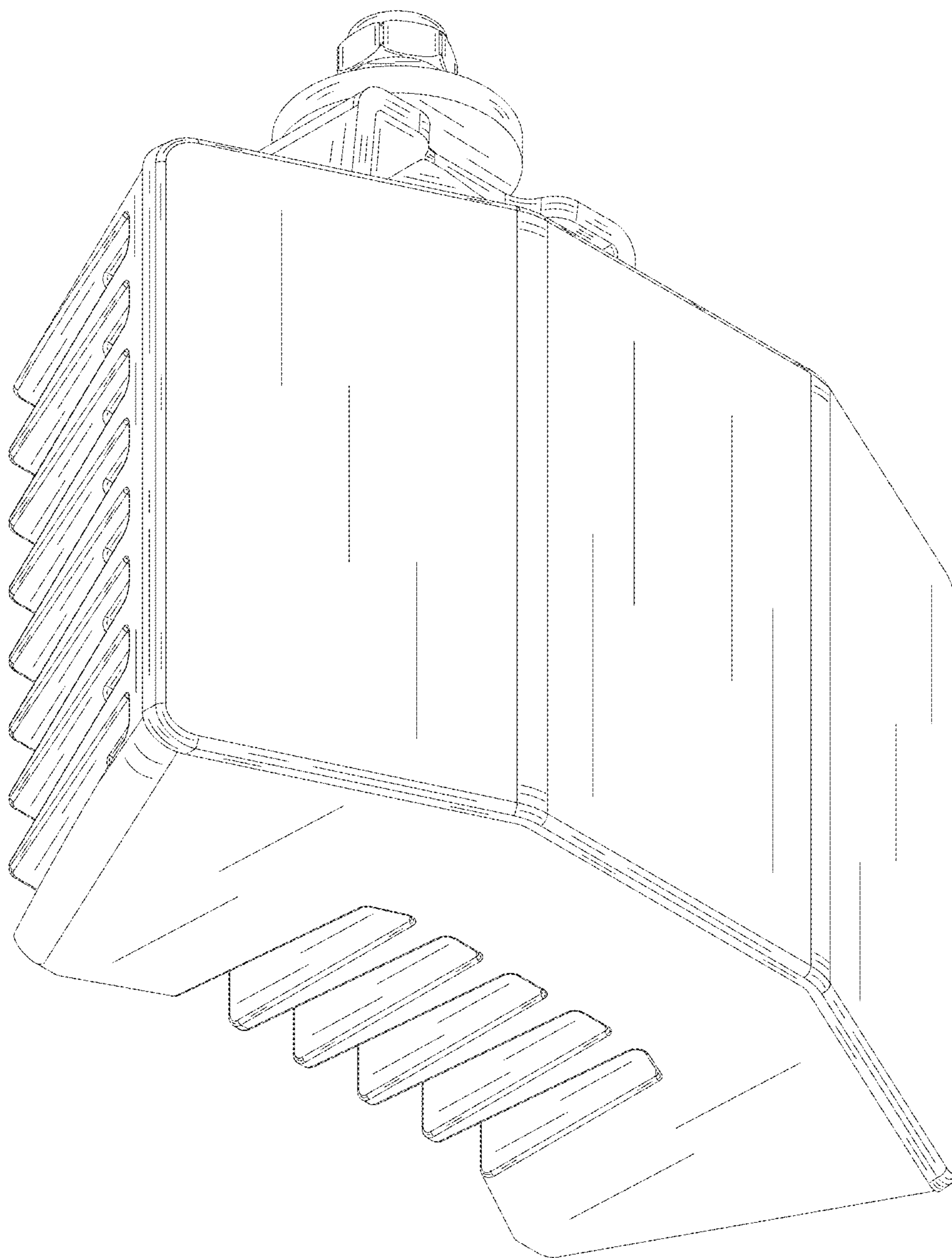


FIG. 8