



US00D887606S

(12) **United States Design Patent**
Liu

(10) **Patent No.:** **US D887,606 S**
(45) **Date of Patent:** **** Jun. 16, 2020**

- (54) **SOLAR LAMP**
- (71) Applicant: **Shenzhen Ennoplus Technology Co., Ltd.**, Shenzhen, Guangdong (CN)
- (72) Inventor: **Hangyu Liu**, Guangdong (CN)
- (73) Assignee: **SHENZHEN ENNOPLUS TECHNOLOGY CO., LTD.**, Shenzhen (CN)
- (**) Term: **15 Years**
- (21) Appl. No.: **29/642,688**
- (22) Filed: **Mar. 31, 2018**
- (51) **LOC (12) Cl.** **26-05**
- (52) **U.S. Cl.**
USPC **D26/63**
- (58) **Field of Classification Search**
USPC D26/63, 72, 85, 87, 92
CPC F21S 8/03; F21S 8/033; F21S 8/036; F21S 9/037; F21V 21/26
See application file for complete search history.

- 2009/0040774 A1* 2/2009 Avila F21V 21/28 362/371
- 2015/0092408 A1* 4/2015 Wallach H05B 47/105 362/233
- 2017/0248296 A1* 8/2017 Sekowski F21V 21/30

OTHER PUBLICATIONS

Solar Motion Sensor Outdoor Light by SUNIX sold at amazon.com as early as Aug. 31, 2017. (Year: 2017).*
JACKYLED LED Solar Powered Flood Lights with 3 Lighting Modes available at amazon.com Jul. 31, 2019. (Year: 2019).*

* cited by examiner

Primary Examiner — Clare E Heflin

(57) **CLAIM**

The ornamental design for a solar lamp, as shown and described.

DESCRIPTION

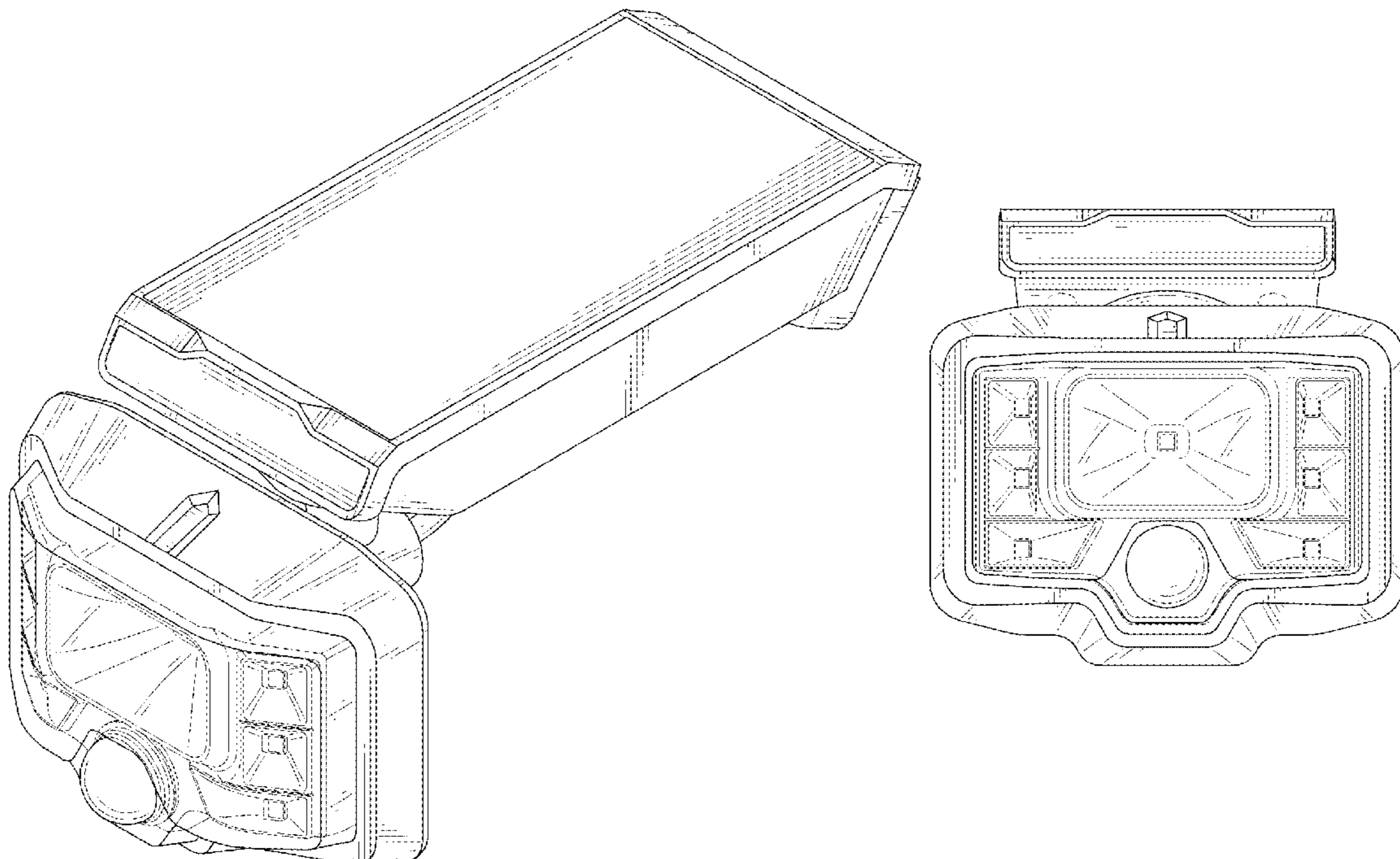
FIG. 1 is a top, front and right side perspective view of a solar lamp showing my new design;
FIG. 2 is a bottom, rear and right side perspective view thereof;
FIG. 3 is a front elevational view thereof;
FIG. 4 is a rear elevational view thereof;
FIG. 5 is a left side view thereof;
FIG. 6 is a right side view thereof;
FIG. 7 is a top plan view thereof; and,
FIG. 8 is a bottom plan view thereof.
The broken lines in the drawings illustrate portions of the solar lamp which form no part of the claimed design.

1 Claim, 8 Drawing Sheets

(56) **References Cited**

U.S. PATENT DOCUMENTS

D189,054 S *	10/1960	Jaffe, Jr.	D26/85
D211,820 S *	7/1968	Pettengill	D26/85
D311,722 S *	10/1990	Cheng	D13/102
D558,910 S *	1/2008	Martineau	D26/85
D676,374 S *	2/2013	Chu	D13/102
D694,460 S *	11/2013	Fang	D26/92
D811,641 S *	2/2018	Sekowski	D26/71
D812,281 S *	3/2018	Boissevain	D26/71
D838,398 S *	1/2019	Joye	D26/63
D841,218 S *	2/2019	Liu	D26/85



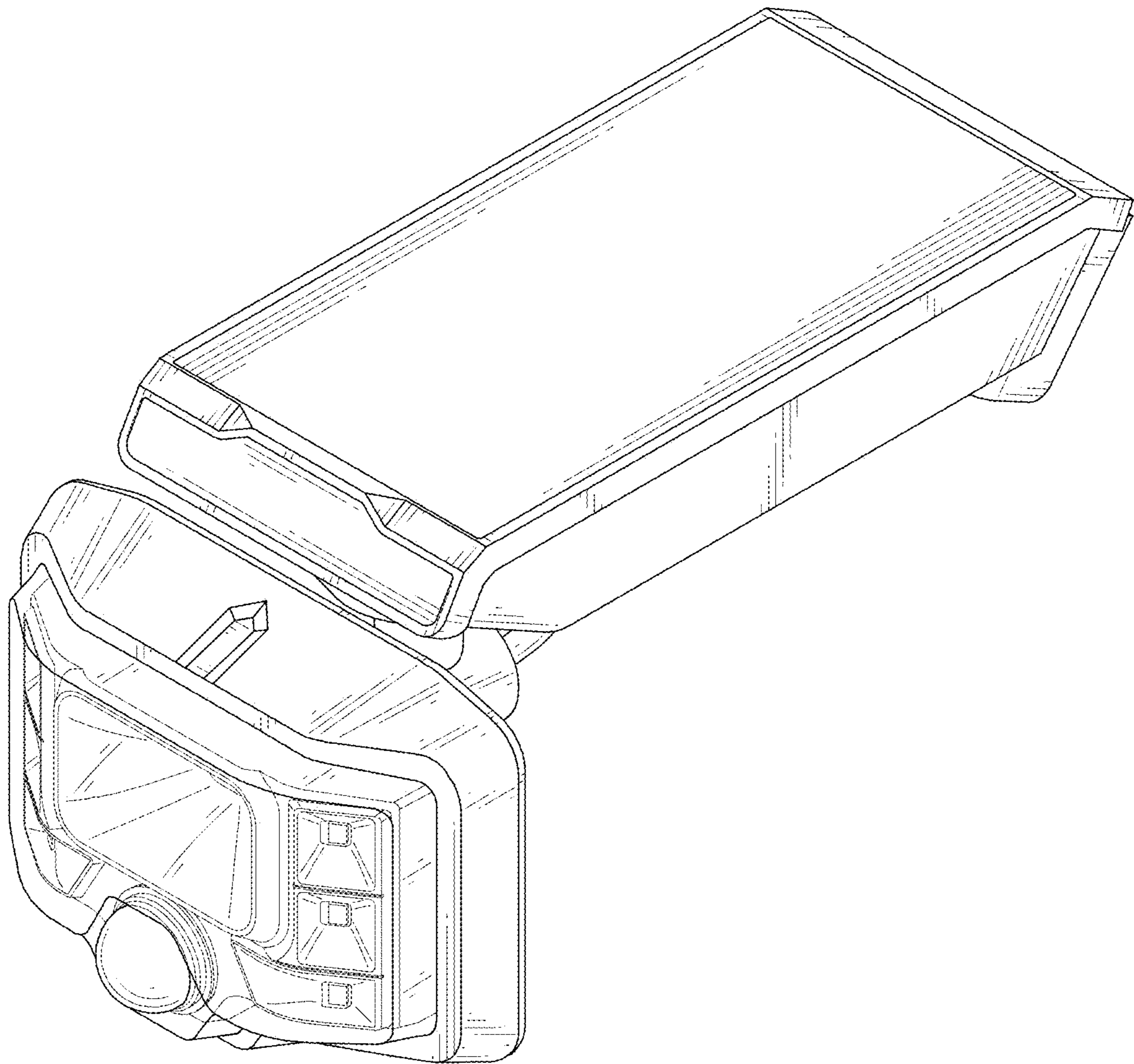


FIG. 1

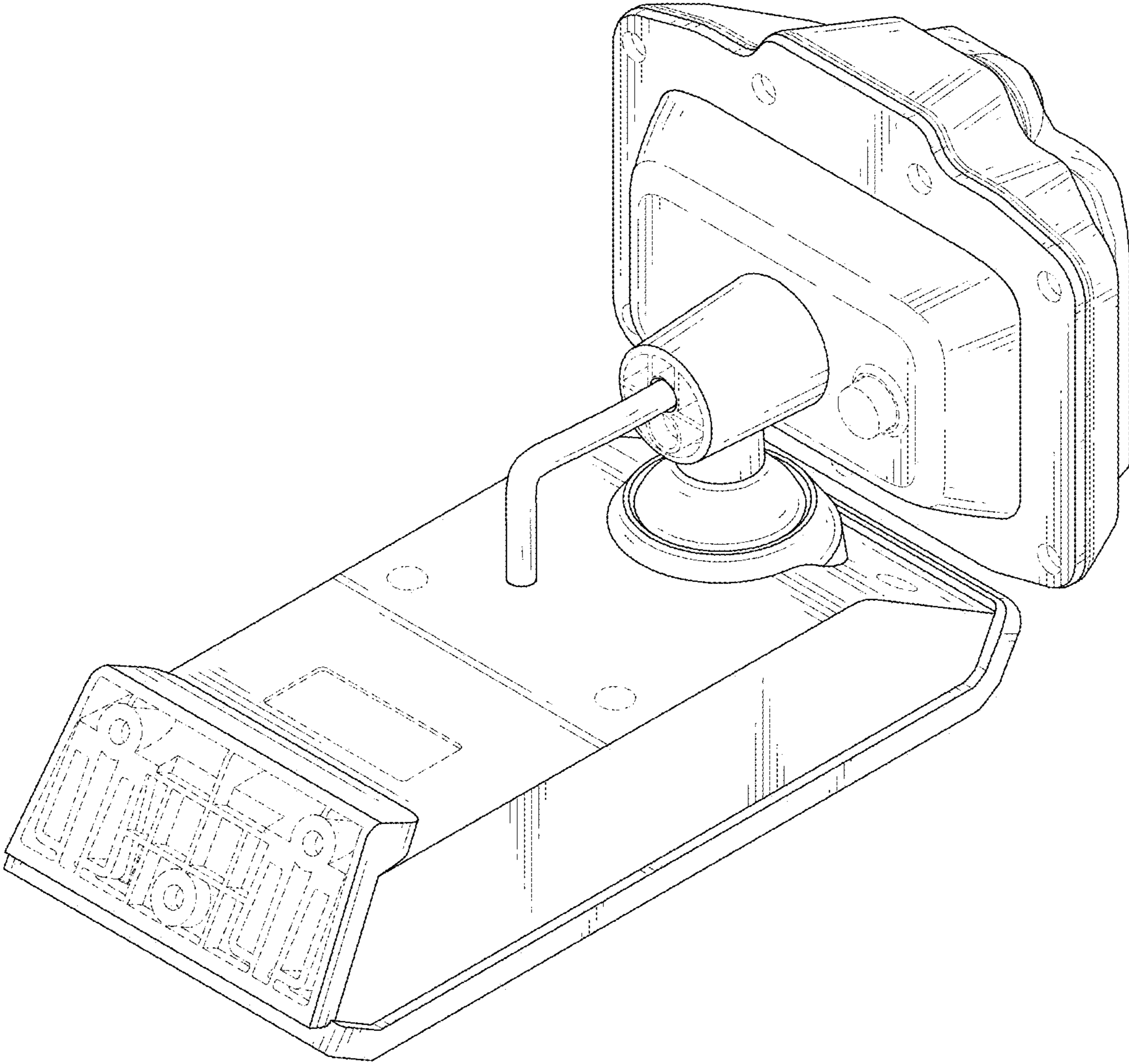


FIG. 2

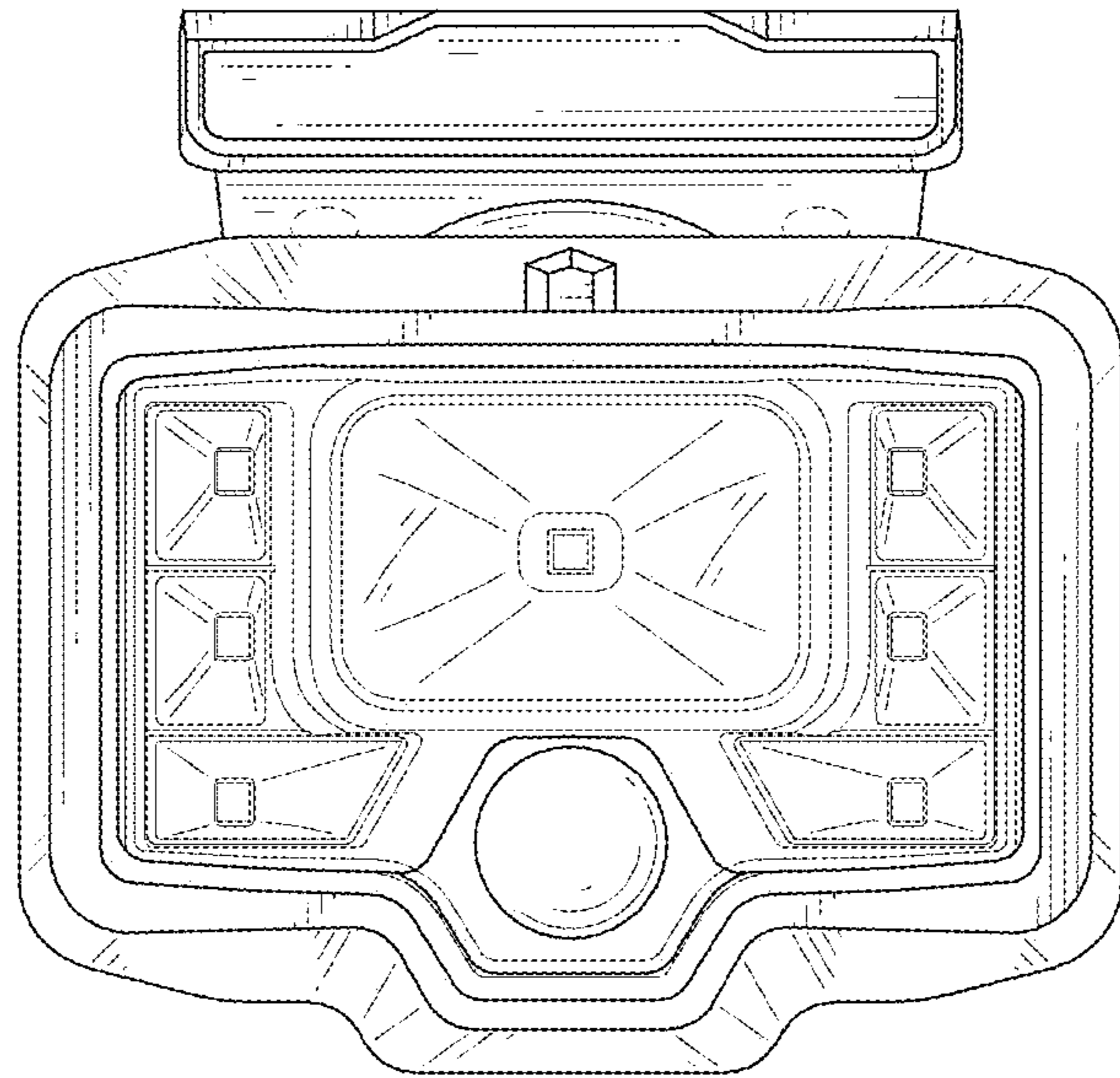


FIG. 3

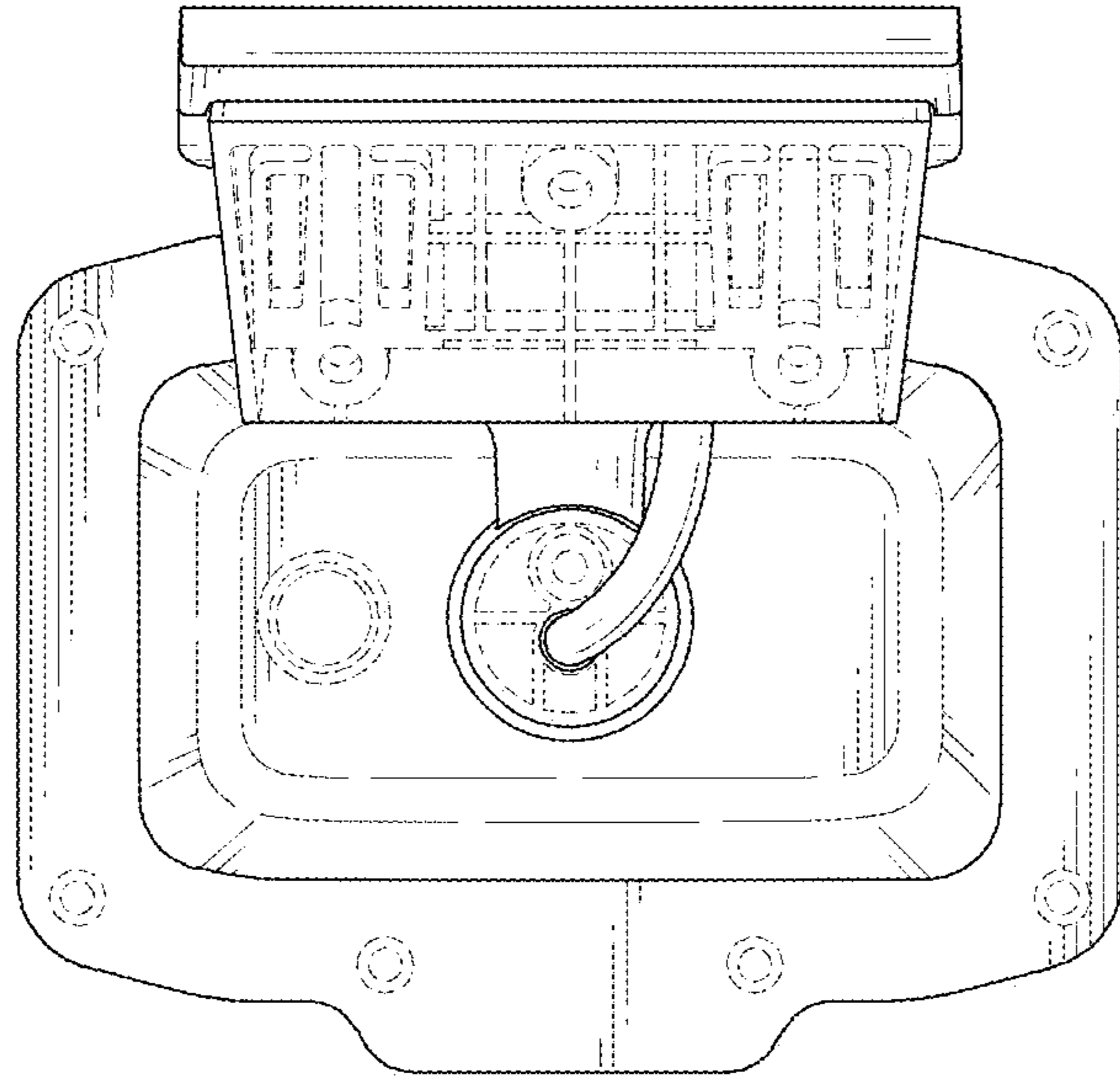


FIG. 4

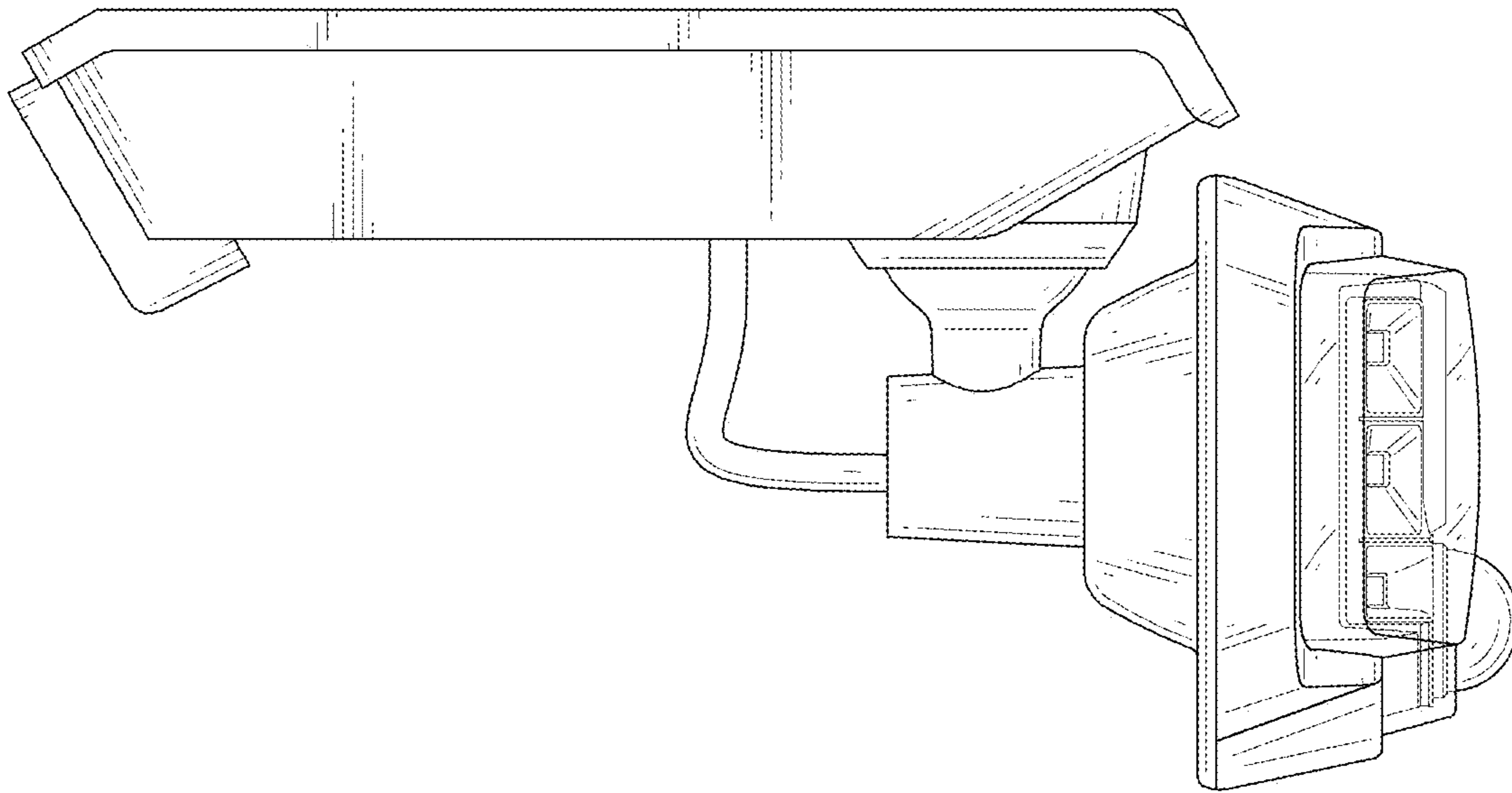


FIG. 5

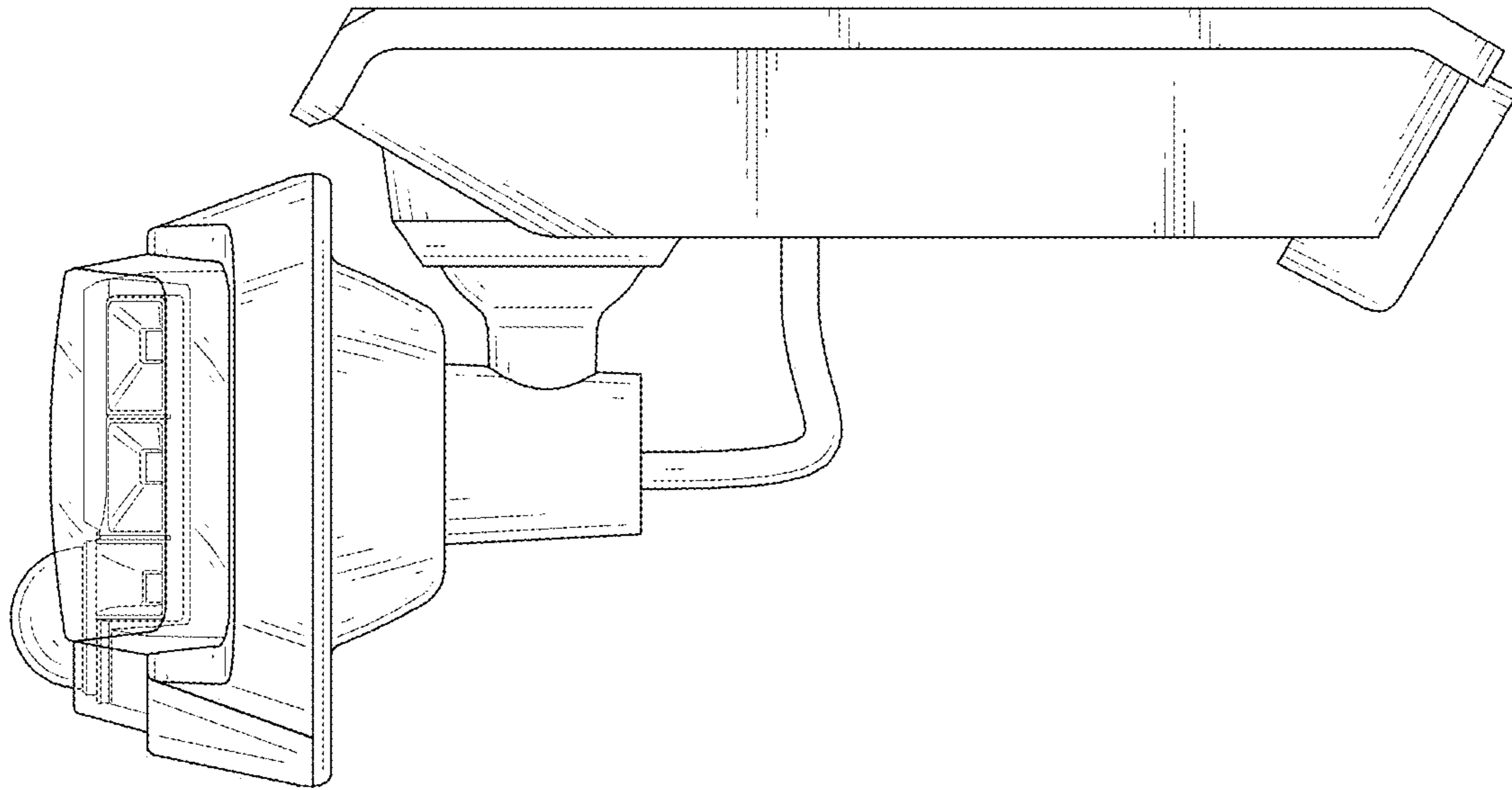


FIG. 6

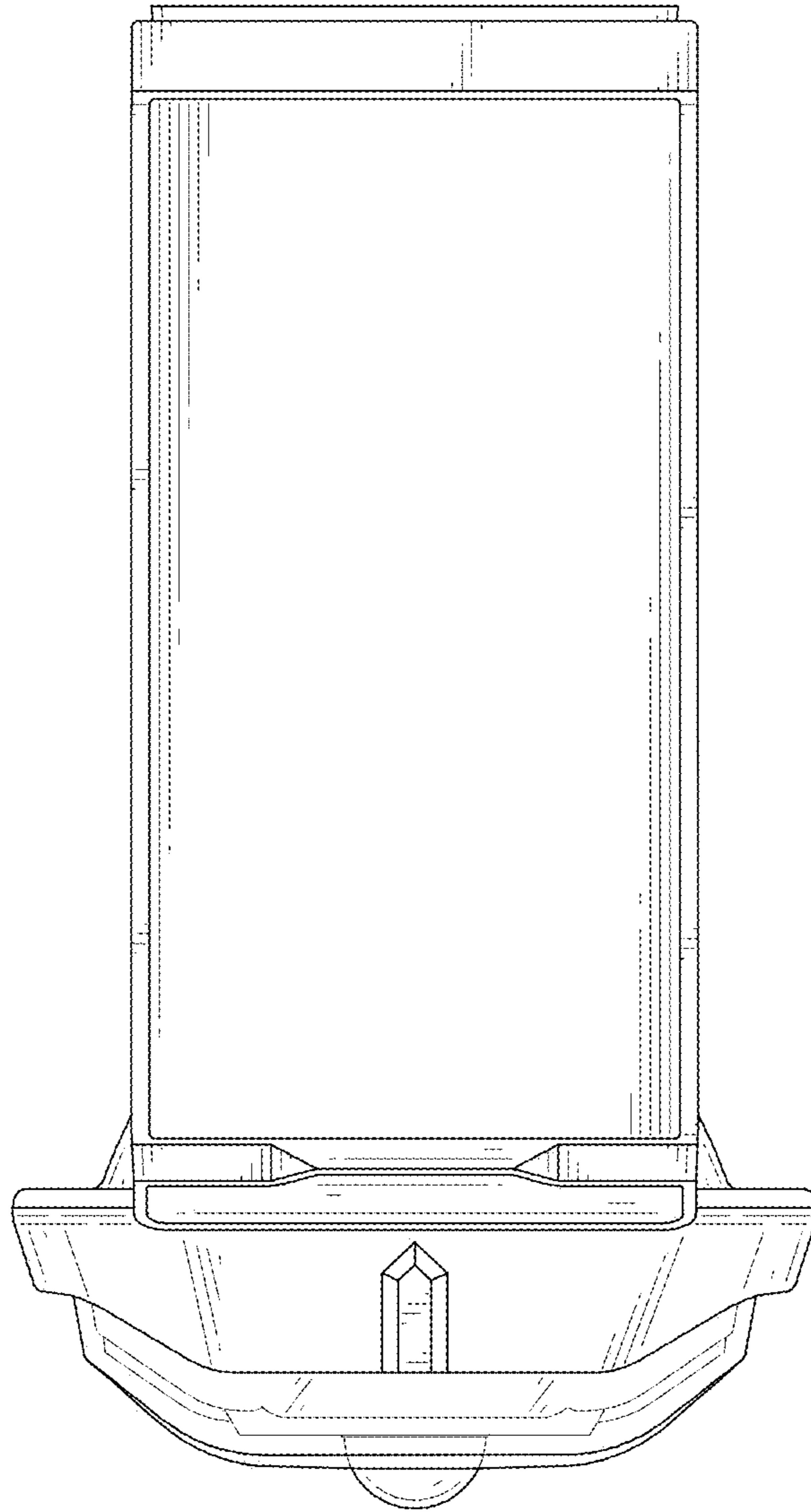


FIG. 7

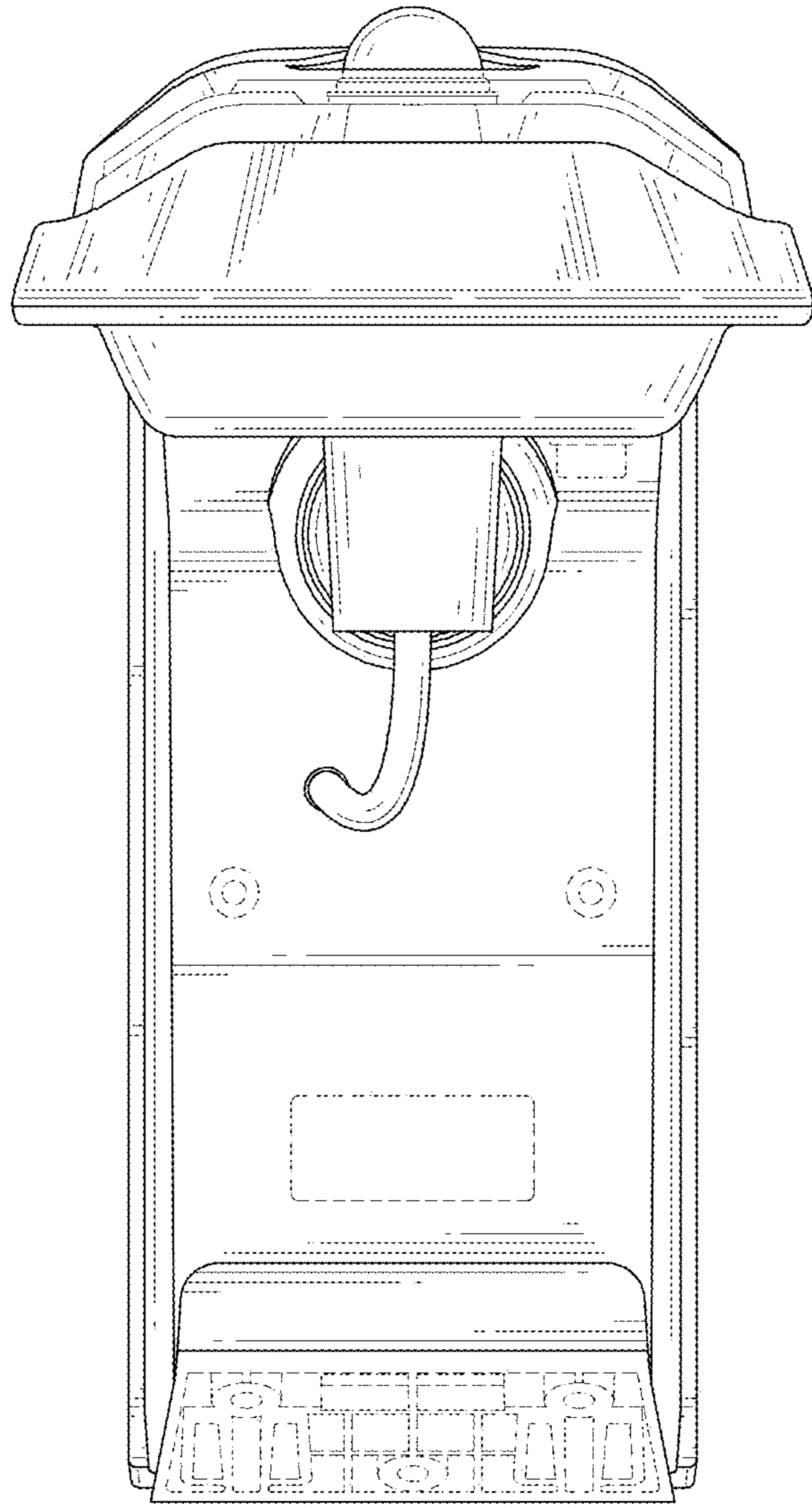


FIG. 8