



US00D887605S

(12) **United States Design Patent**
Zhan

(10) **Patent No.:** **US D887,605 S**

(45) **Date of Patent:** **** Jun. 16, 2020**

(54) **VIDEO AND PHOTOGRAPHY LIGHT**

(71) Applicant: **Xiamen Fulaishi Film Tools Co., Ltd.,**
Fujian (CN)

(72) Inventor: **Qiang Zhan,** Fujian (CN)

(**) Term: **15 Years**

(21) Appl. No.: **29/649,919**

(22) Filed: **Jun. 4, 2018**

(30) **Foreign Application Priority Data**

Dec. 4, 2017 (CN) 2017 3 0608877

(51) **LOC (12) Cl.** **26-03**

(52) **U.S. Cl.**
USPC **D26/61**

(58) **Field of Classification Search**
USPC D26/1, 24, 61, 63, 65
CPC F21V 21/14; F21V 15/01; F21V 14/02;
F21V 21/30; F21V 14/00; F21V 19/04;
F21S 8/00; F21Y 2105/001
See application file for complete search history.

(56) **References Cited**

U.S. PATENT DOCUMENTS

D580,577 S * 11/2008 Wang D26/63
D711,030 S * 8/2014 Zhan D26/65

D711,577 S * 8/2014 Zhan D26/65
D789,582 S * 6/2017 Peard D26/61
D869,544 S * 12/2019 Zhan D26/63

* cited by examiner

Primary Examiner — Brian N. Vinson

(74) *Attorney, Agent, or Firm* — Prakash Nama; Global IP Services, PLLC

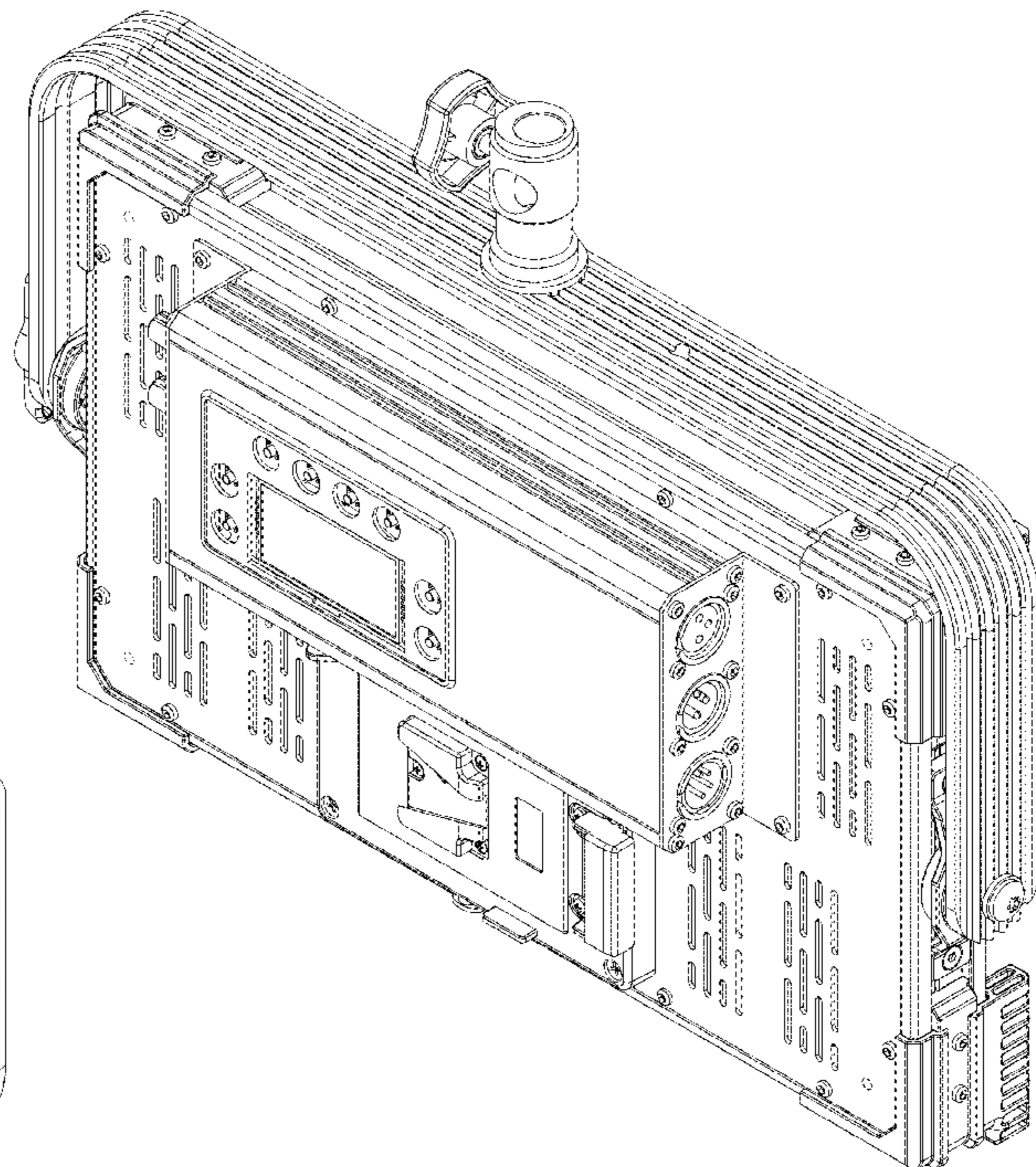
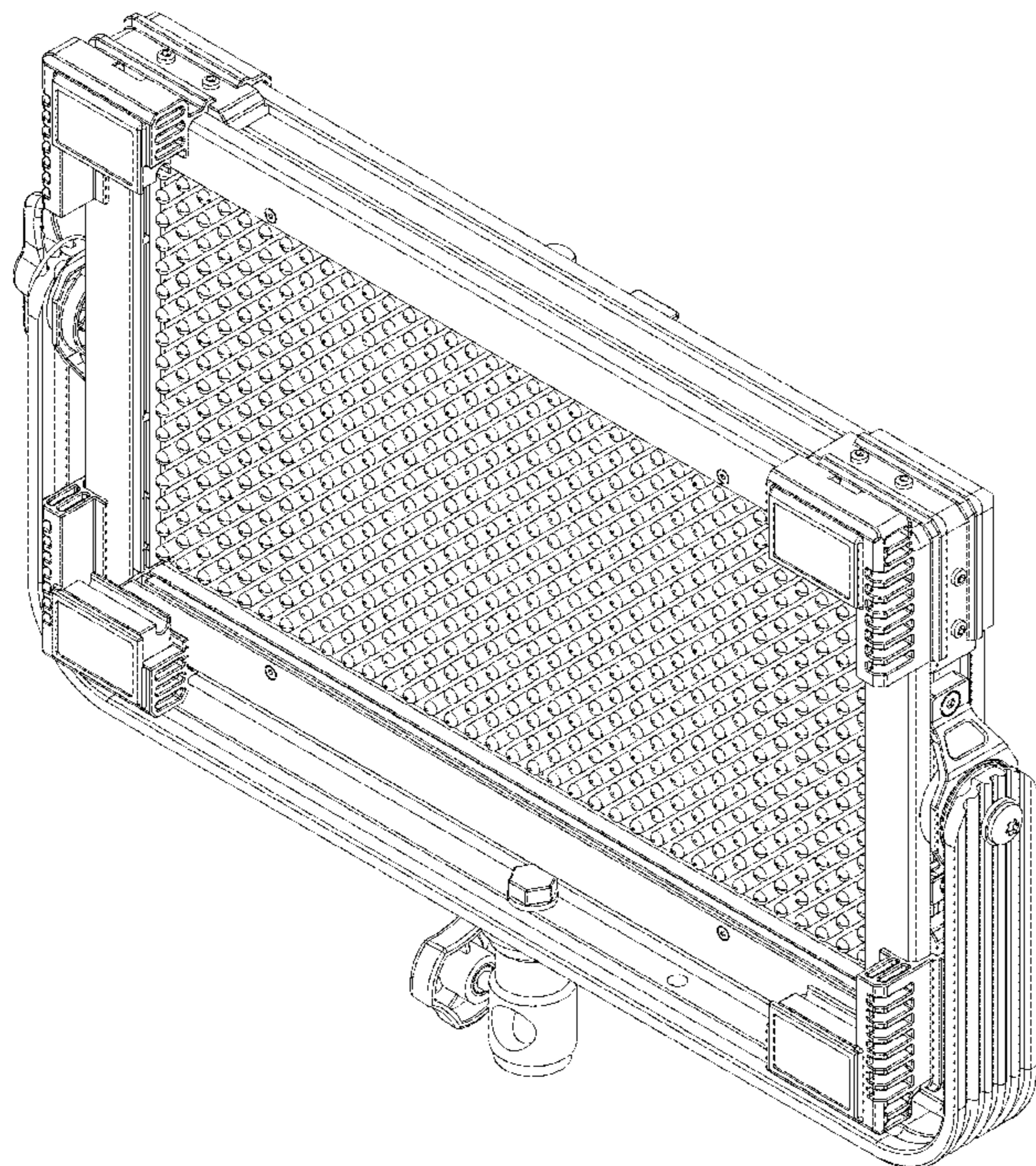
(57) **CLAIM**

The ornamental design for the video and photography light, as shown and described.

DESCRIPTION

FIG. 1 is a front elevational view of the video and photography light showing my new design; FIG. 2 is a rear elevational view thereof; FIG. 3 is a left side view thereof; FIG. 4 is a right side view thereof; FIG. 5 is a top plan view thereof; FIG. 6 is a bottom plan view thereof; FIG. 7 is a perspective view thereof; FIG. 8 is a second perspective view thereof; and, FIG. 9 is a third perspective view thereof.

1 Claim, 9 Drawing Sheets



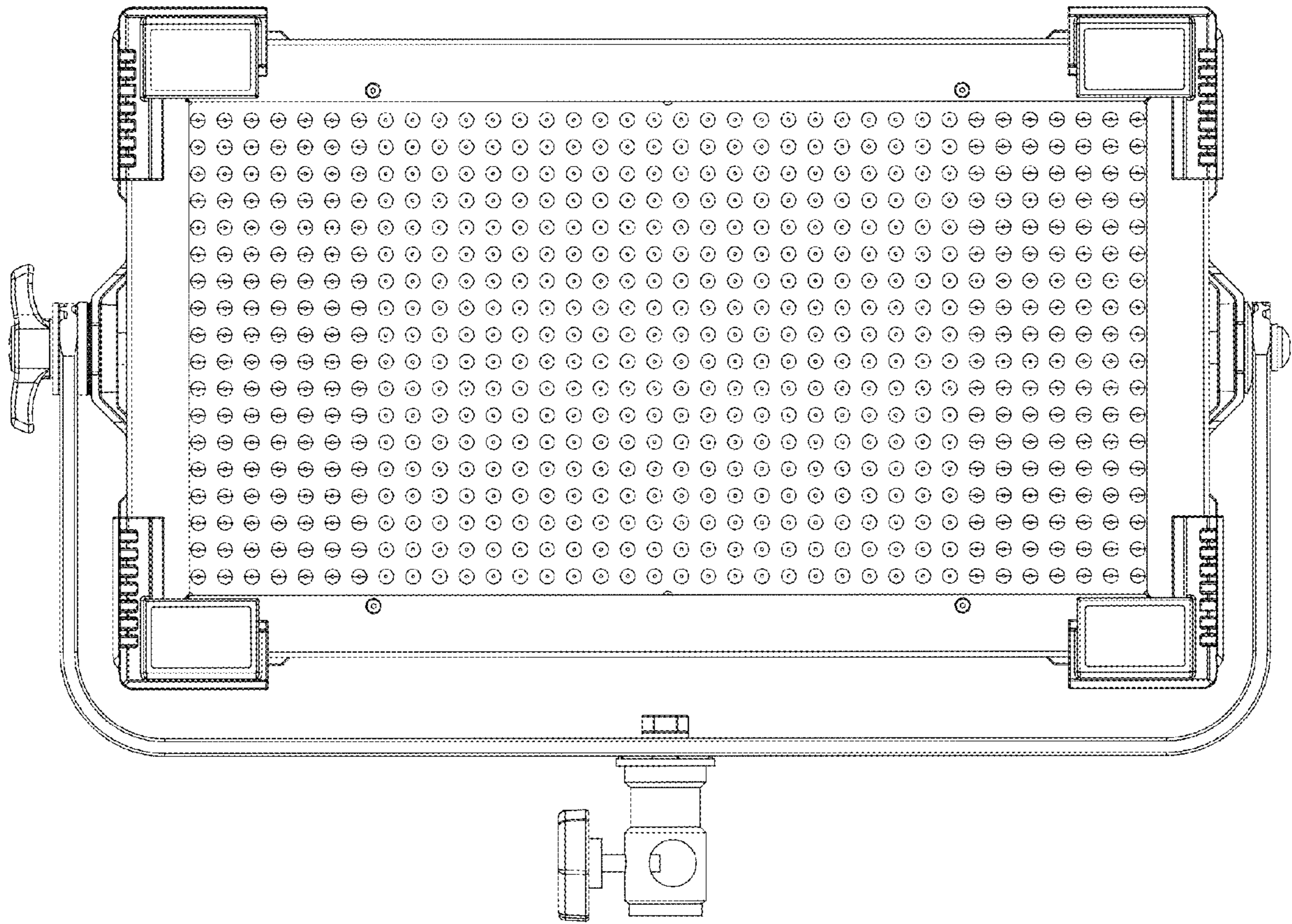


Fig. 1

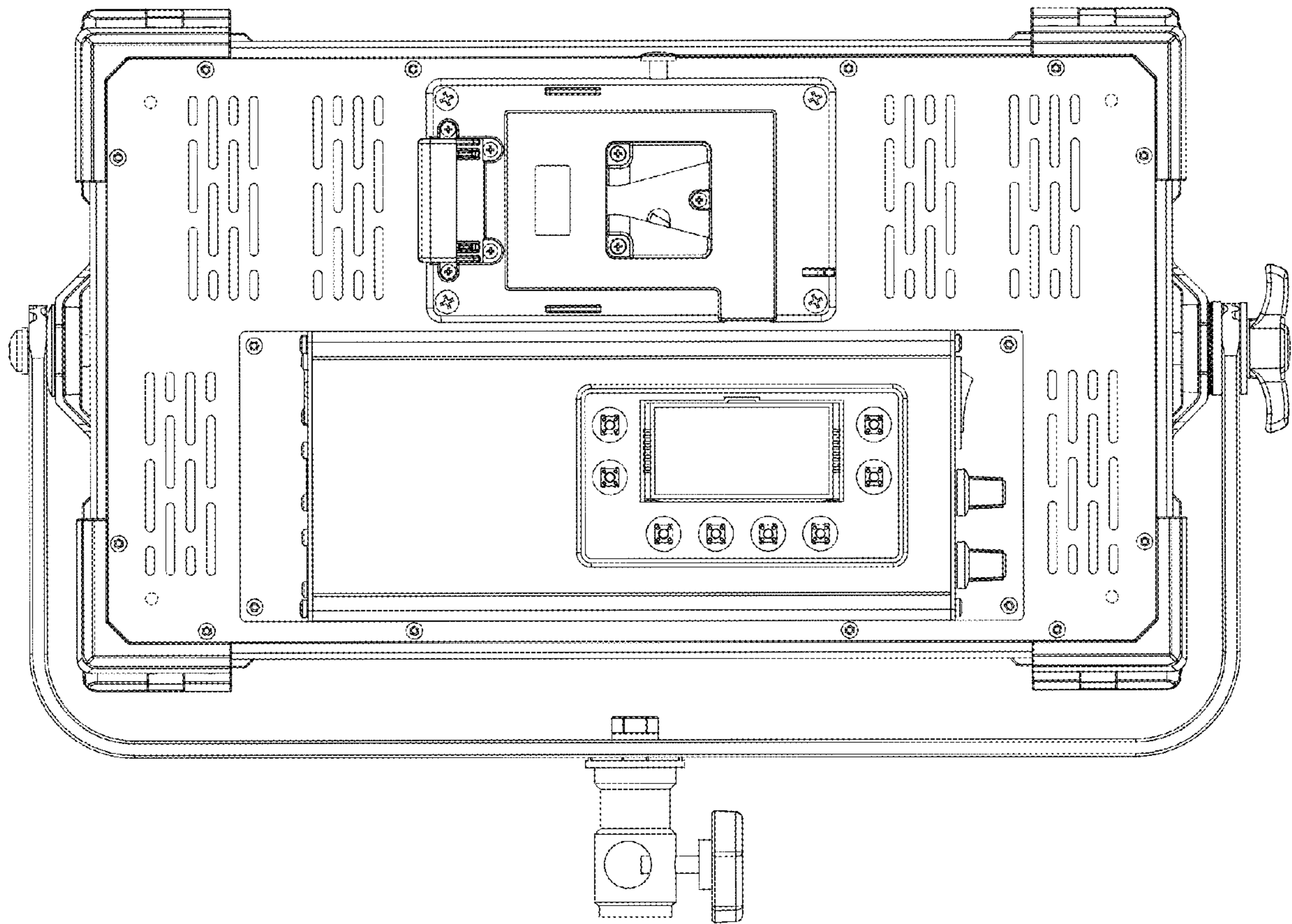


Fig. 2

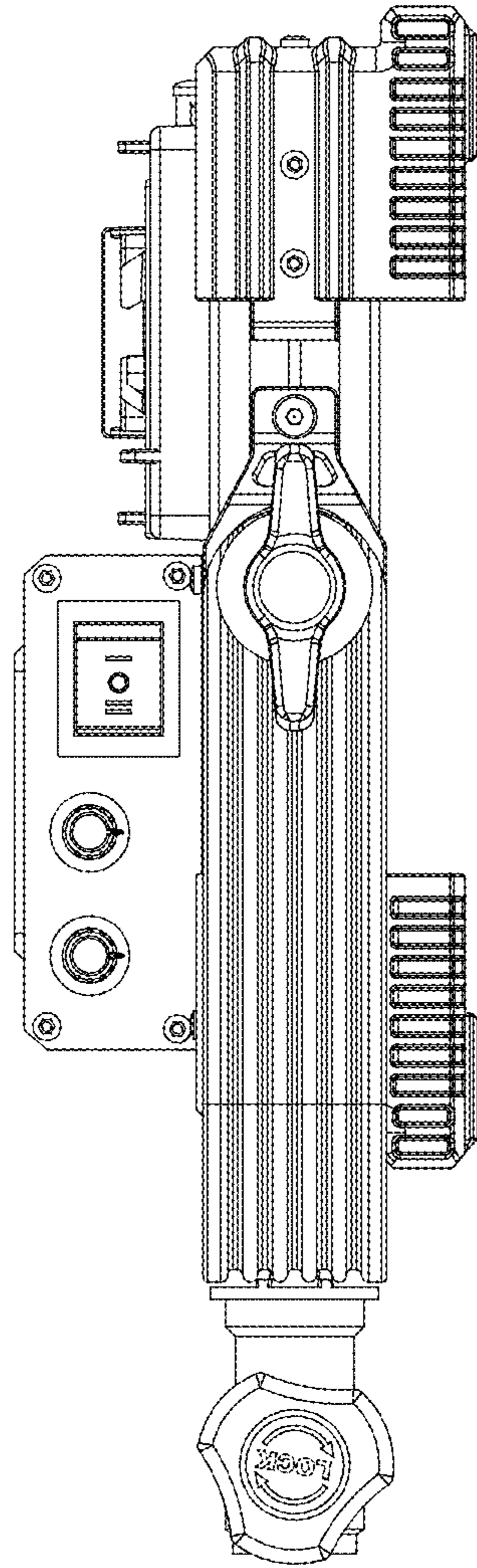


Fig. 3

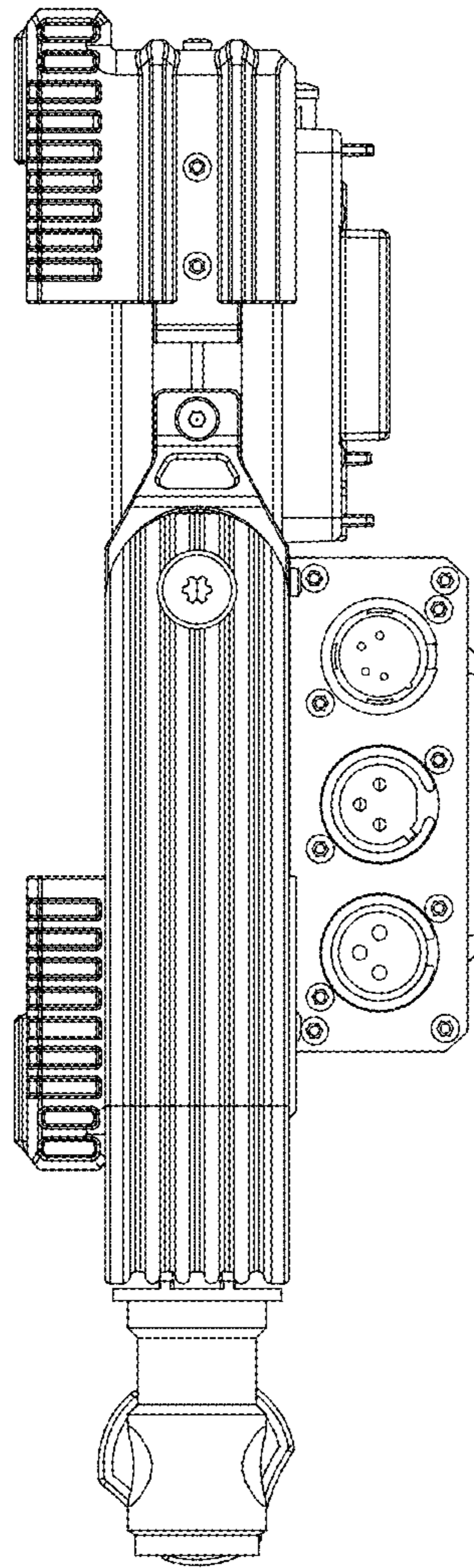


Fig. 4

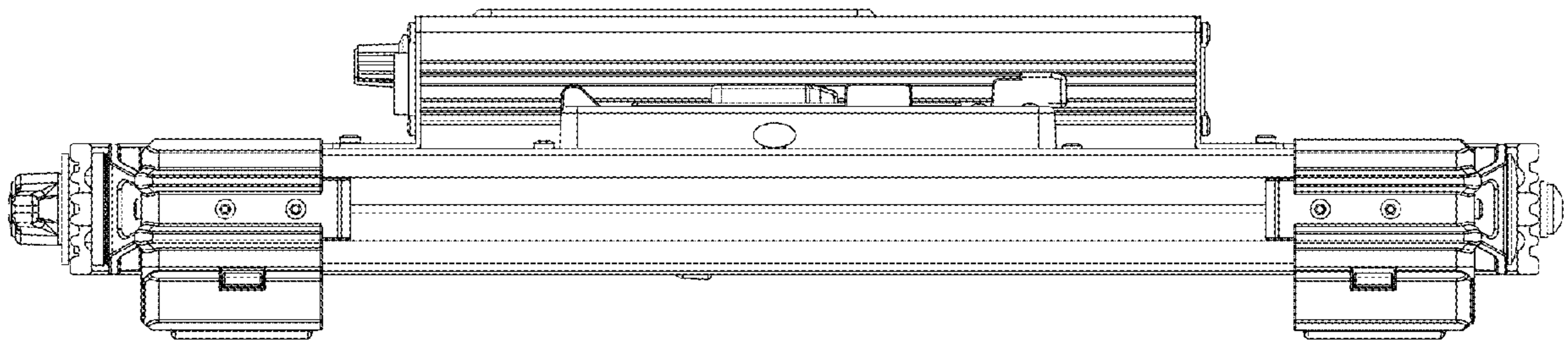


Fig. 5

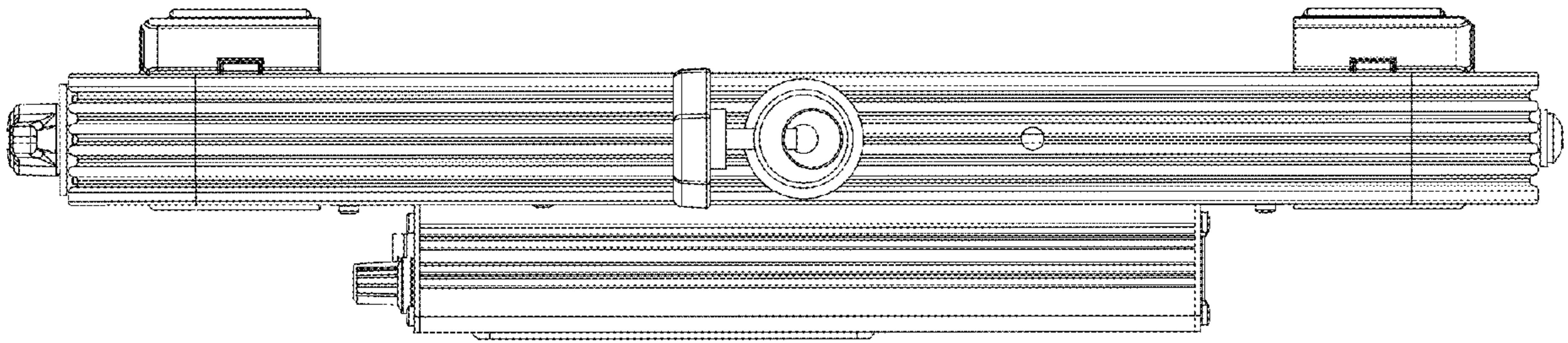


Fig. 6

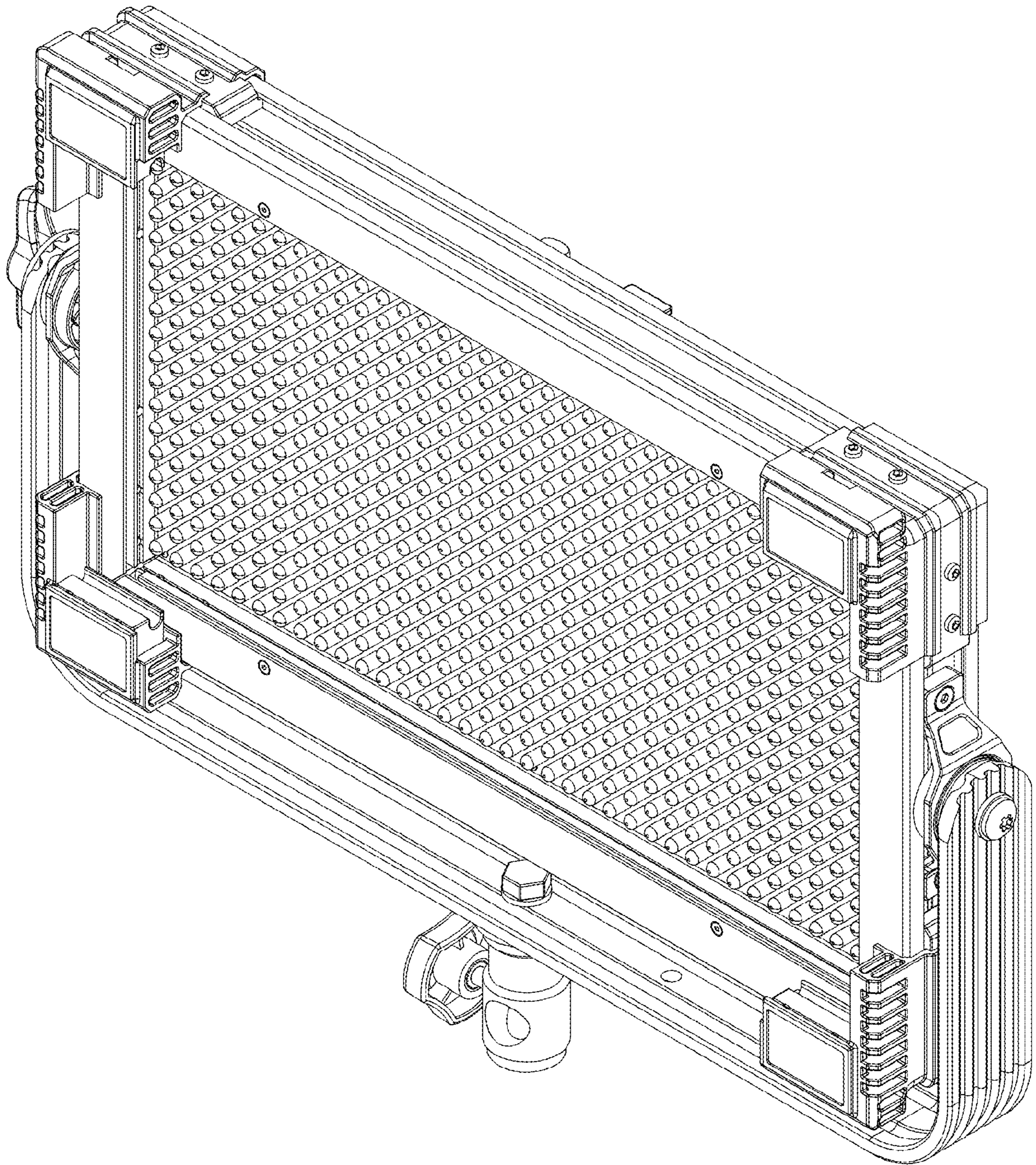


Fig. 7

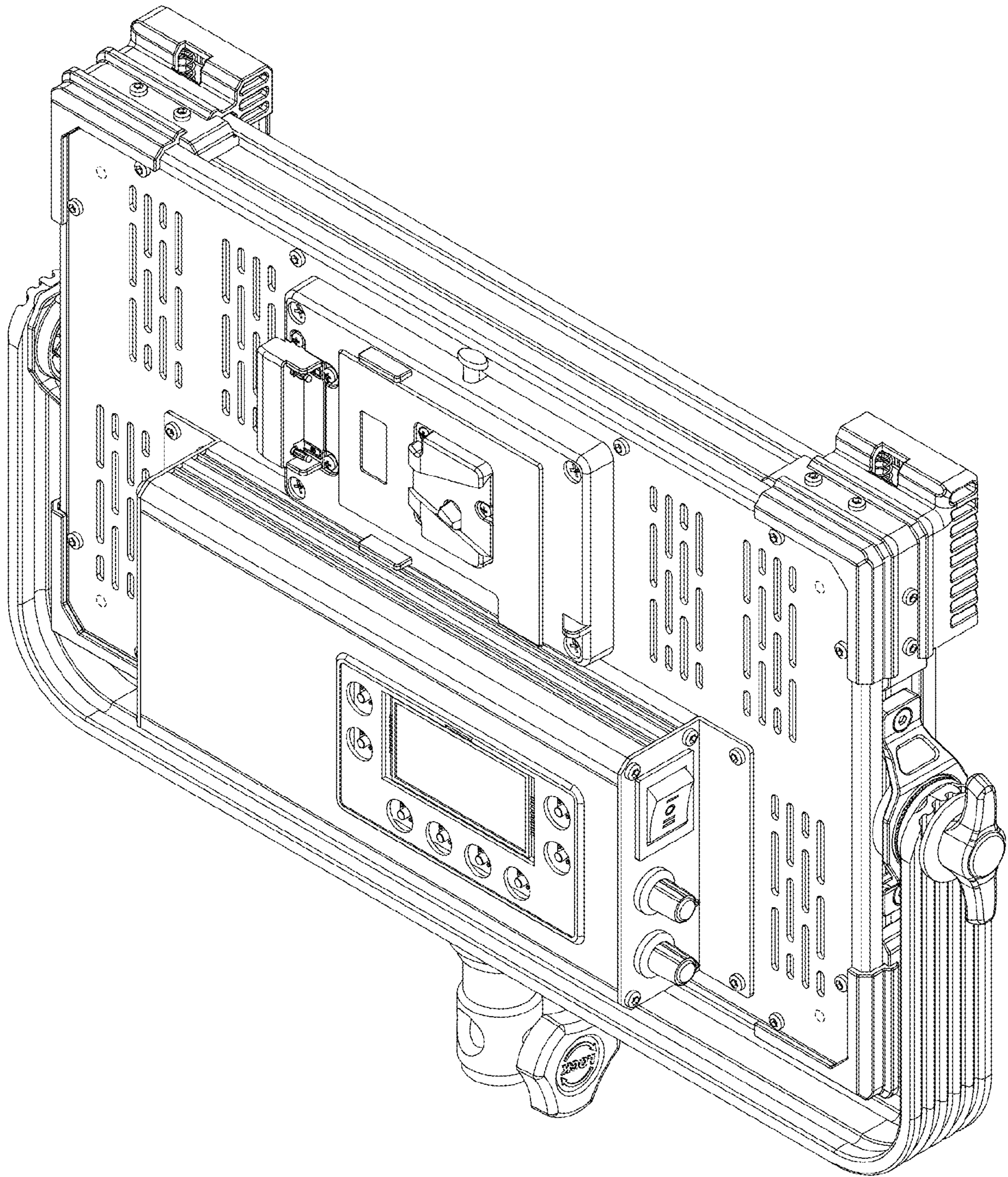


Fig. 8

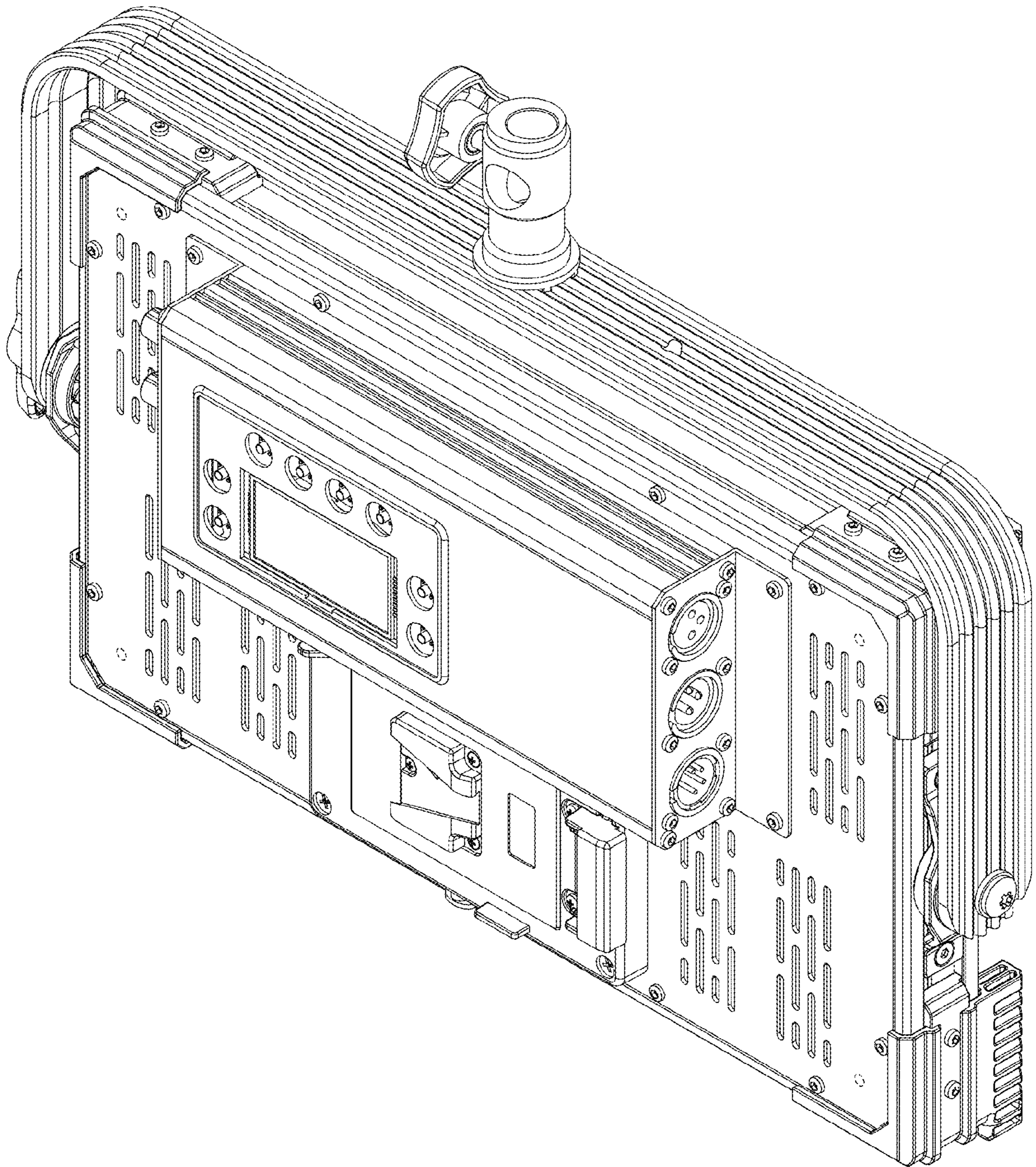


Fig. 9