



US00D887601S

(12) **United States Design Patent**
Yun et al.

(10) **Patent No.:** **US D887,601 S**
(45) **Date of Patent:** **** Jun. 16, 2020**

(54) **REAR COMBINATION LAMP FOR A VEHICLE**

(71) Applicant: **LG INNOTEK CO., LTD.**, Seoul (KR)

(72) Inventors: **Dukhyun Yun**, Seoul (KR); **Kihyun Jeong**, Seoul (KR)

(73) Assignee: **LG INNOTEK CO., LTD.**, Seoul (KR)

(**) Term: **15 Years**

(21) Appl. No.: **35/506,723**

(22) Filed: **Nov. 5, 2018**

(80) **Hague Agreement Data**

Int. Filing Date: **Nov. 5, 2018**

Int. Reg. No.: **DM/103658**

Int. Reg. Date: **Nov. 5, 2018**

Int. Reg. Pub. Date: **May 10, 2019**

(30) **Foreign Application Priority Data**

Jun. 14, 2018 (KR) 30-2018-0027368

(51) **LOC (12) Cl.** **26-06**

(52) **U.S. Cl.**
USPC **D26/35**

(58) **Field of Classification Search**

USPC D12/196; D26/28, 35, 36; D21/433
CPC .. F21S 41/00; F21S 41/20; F21S 41/30; F21S
43/14; F21S 43/15; F21S 43/20

See application file for complete search history.

(56) **References Cited**

U.S. PATENT DOCUMENTS

D165,396 S * 12/1951 Richwine D26/35
D172,782 S * 8/1954 Cole et al. D26/35
D173,678 S * 12/1954 Reynolds D26/35
D869,033 S * 12/2019 Kim D26/36

OTHER PUBLICATIONS

Prnasia.com: Tail light illustration on second page. Dated Aug. 29, 2019; 4 pages. Found online Feb. 11, 2020 at <https://www.prnasia.com/story/255932-1.shtml> (Year: 2019).*

Screenshot from PRNewswire.com: LG Innotek to develop “Nexlide-HD” for a 3D Flexible Automotive Lighting. Dated Aug. 28, 2019; 1 page. Found online Feb. 11, 2020 at <https://www.prnewswire.com/news-releases/lg-innotek-to-develop-nexlide-hd-for-a-3d-flexible-automotive-lighting-300908865.html> (Year: 2019).*

* cited by examiner

Primary Examiner — Robert M. Spear

(74) *Attorney, Agent, or Firm* — Saliwanchik, Lloyd & Eisenschenk

(57) **CLAIM**

The ornamental design for rear combination lamp for a vehicle, as shown and described.

DESCRIPTION

1. Rear combination lamp for a vehicle

1.1 : Perspective

1.2 : Front

1.3 : Back

1.4 : Left

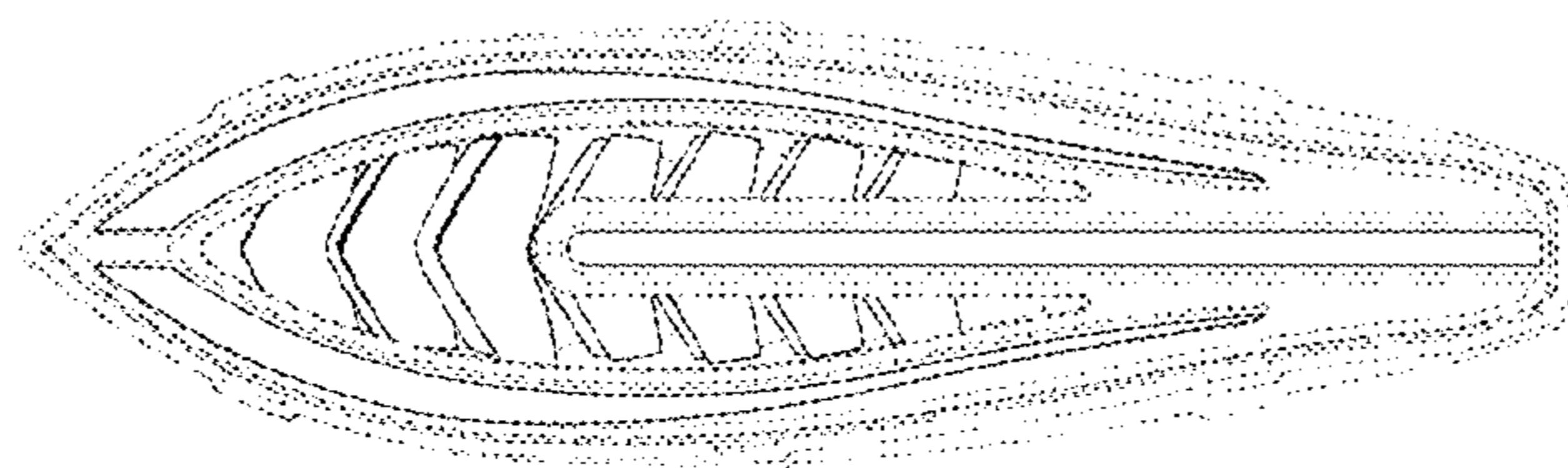
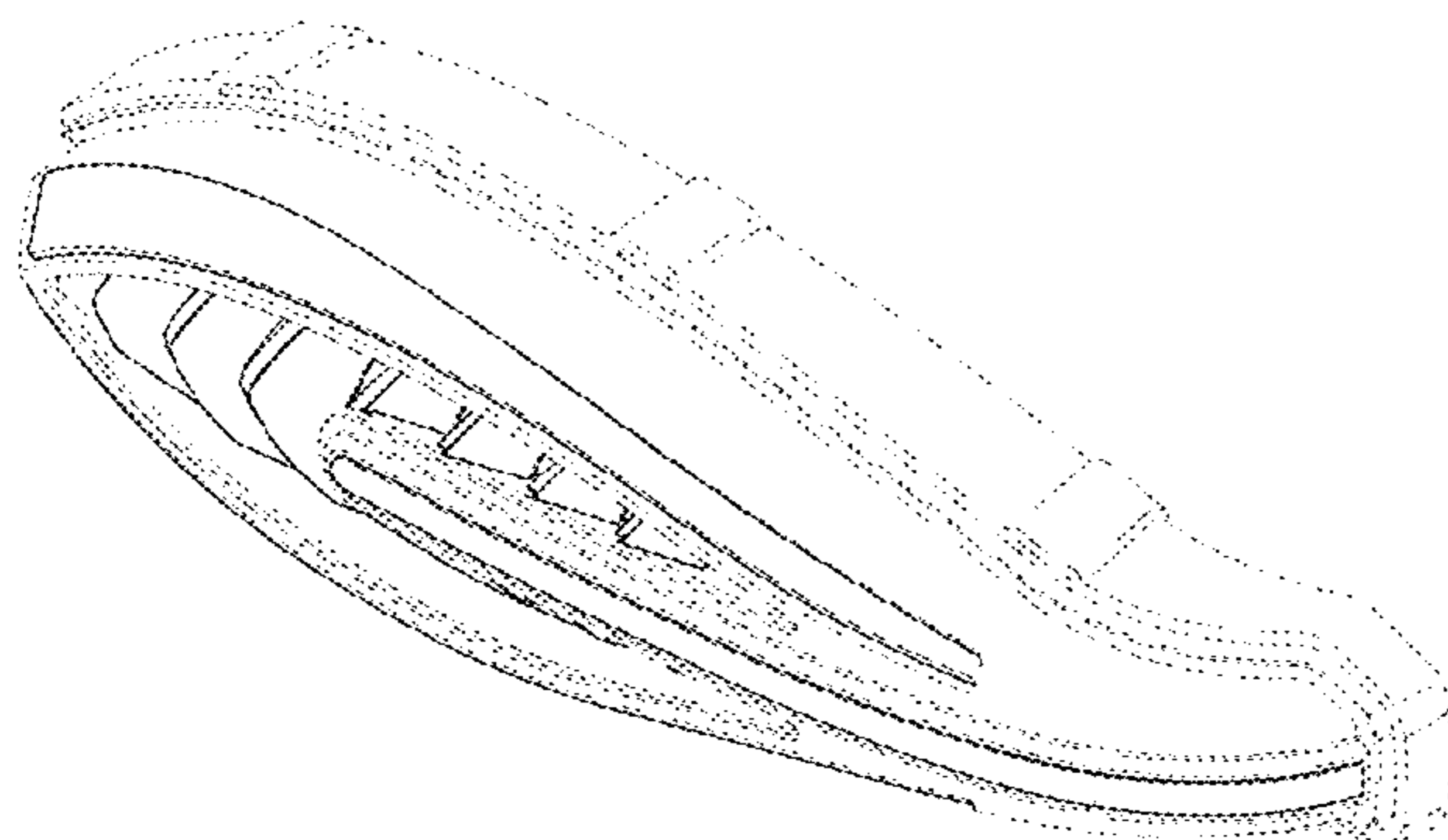
1.5 : Right

1.6 : Top

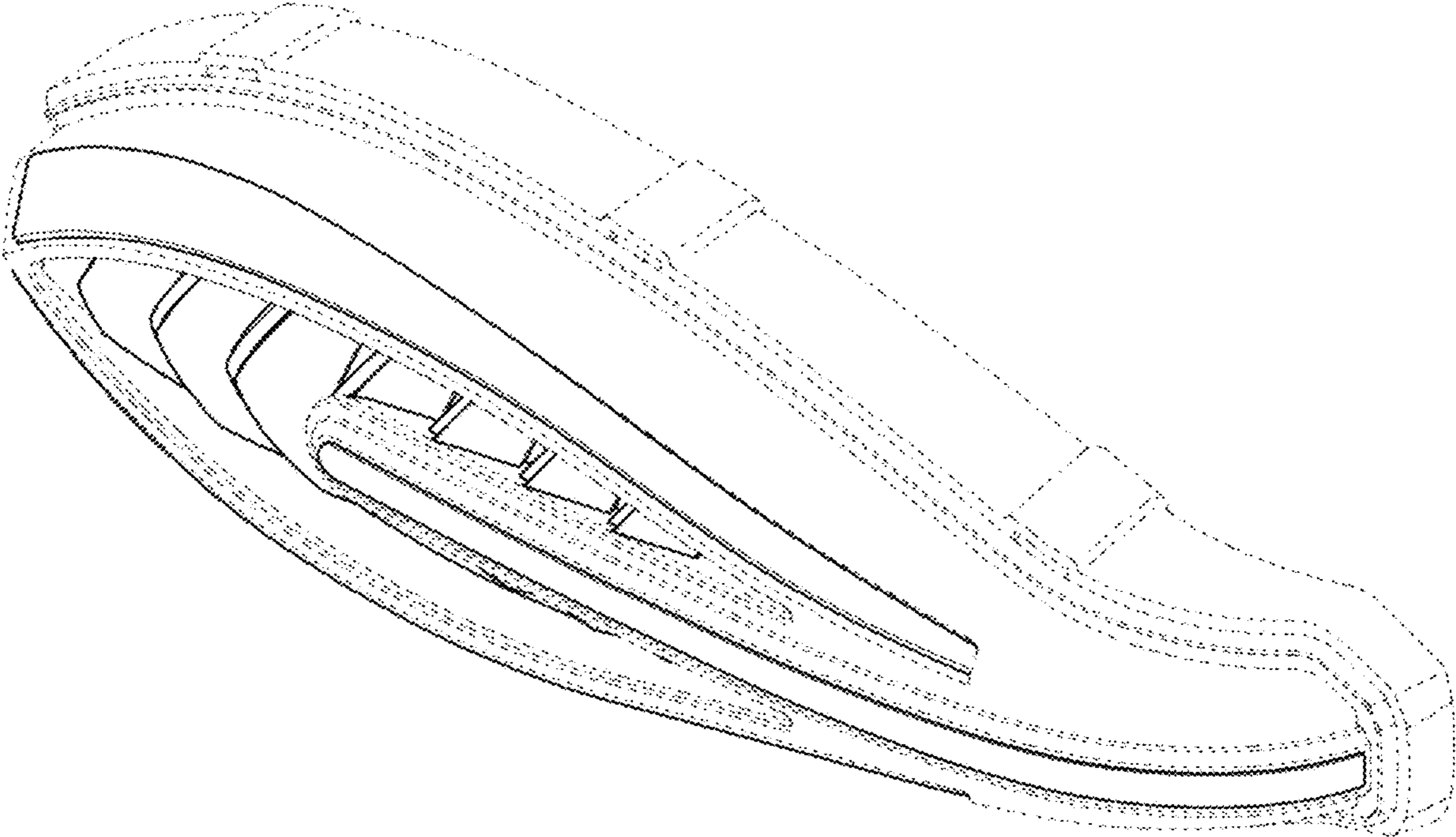
1.7 : Bottom

The broken lines indicate unclaimed portion of the article that form no part of the claimed design.

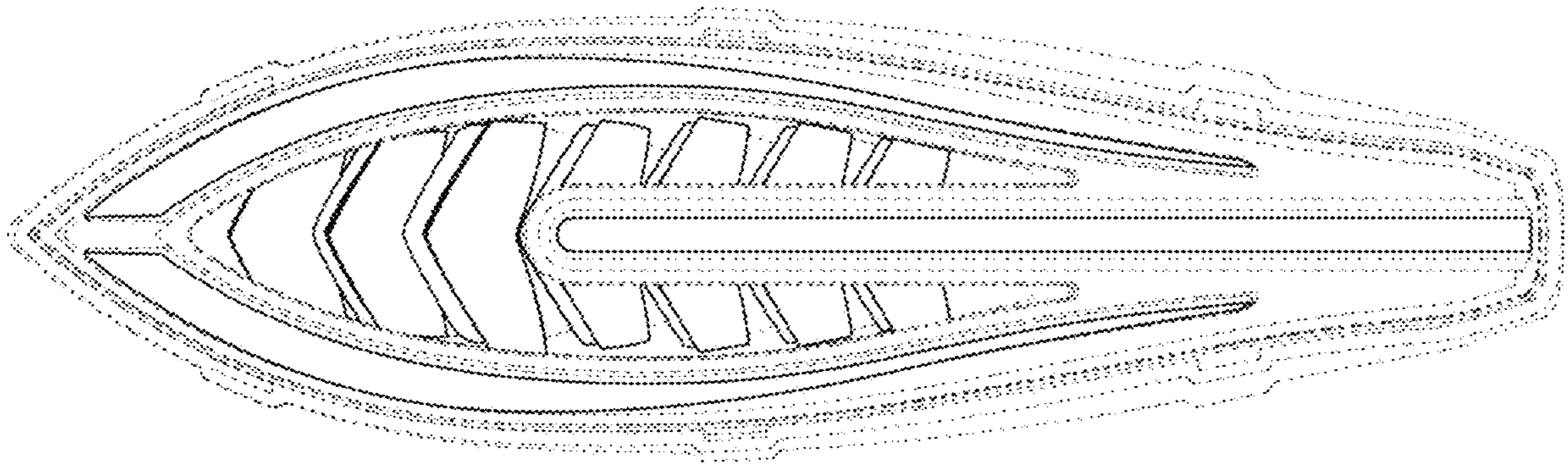
1 Claim, 7 Drawing Sheets



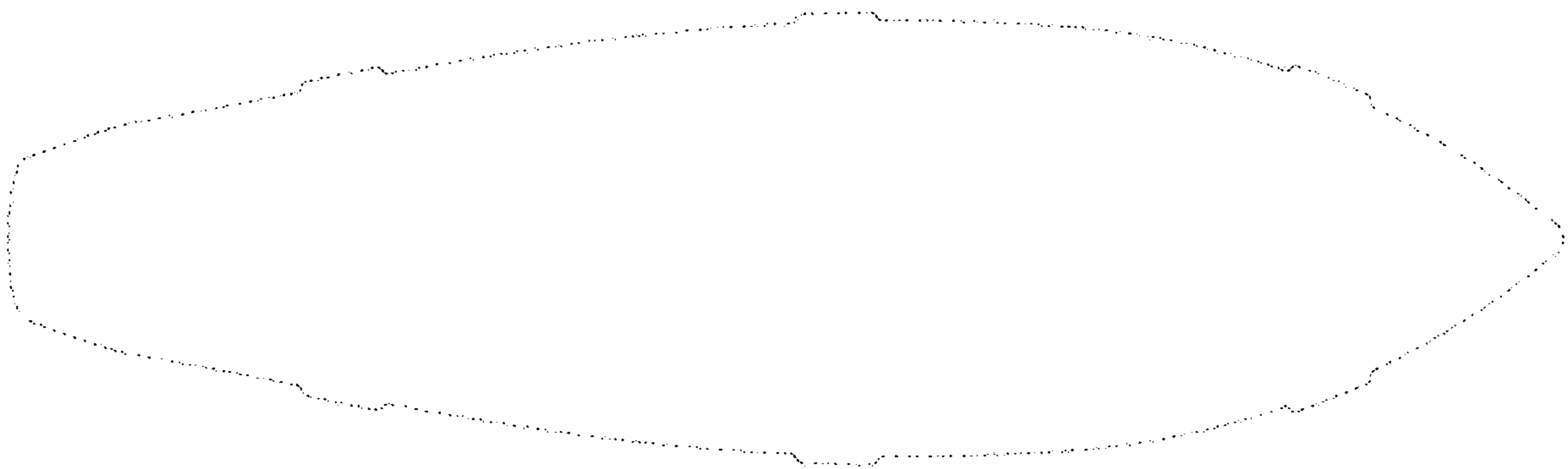
1.1



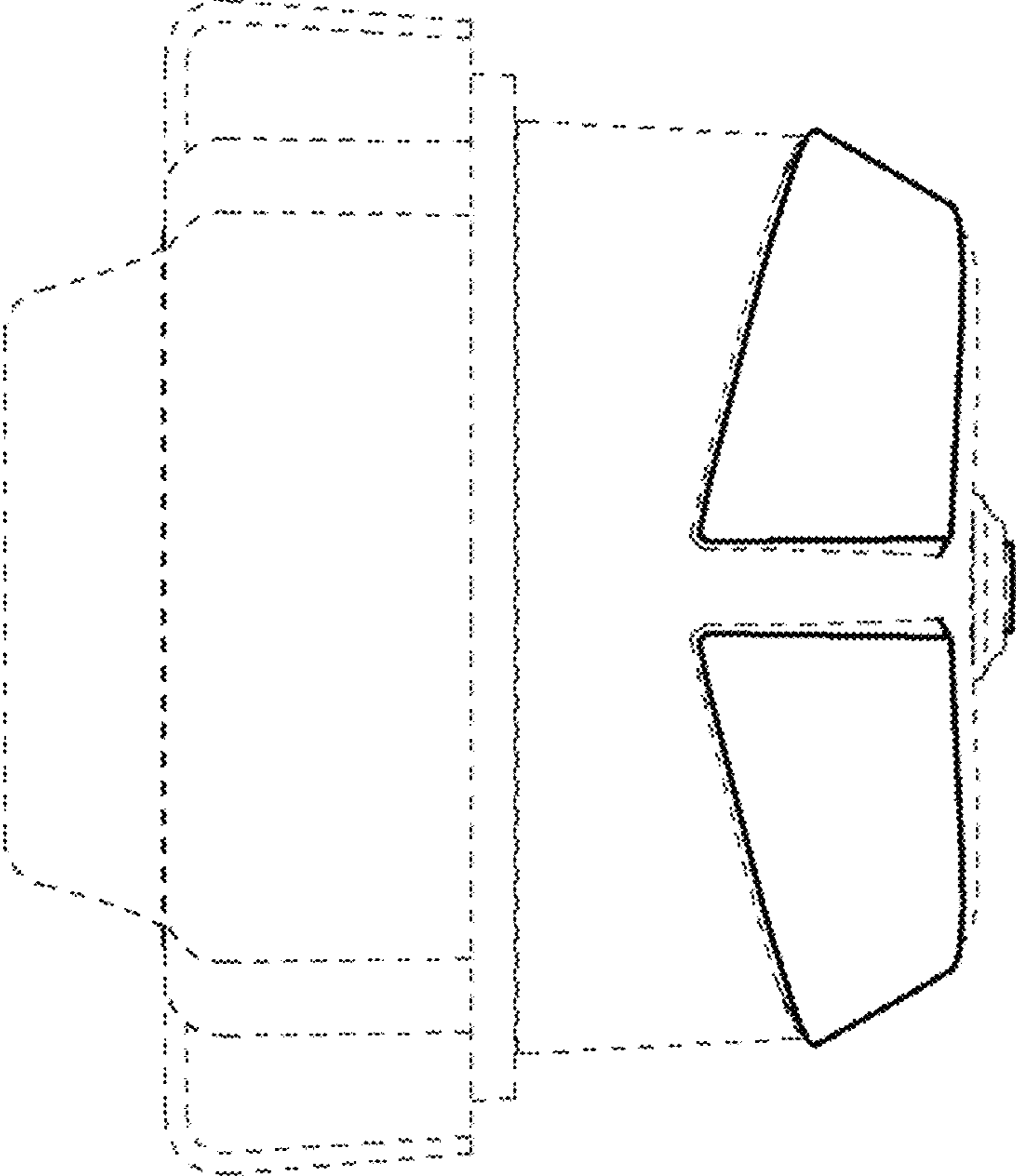
1.2



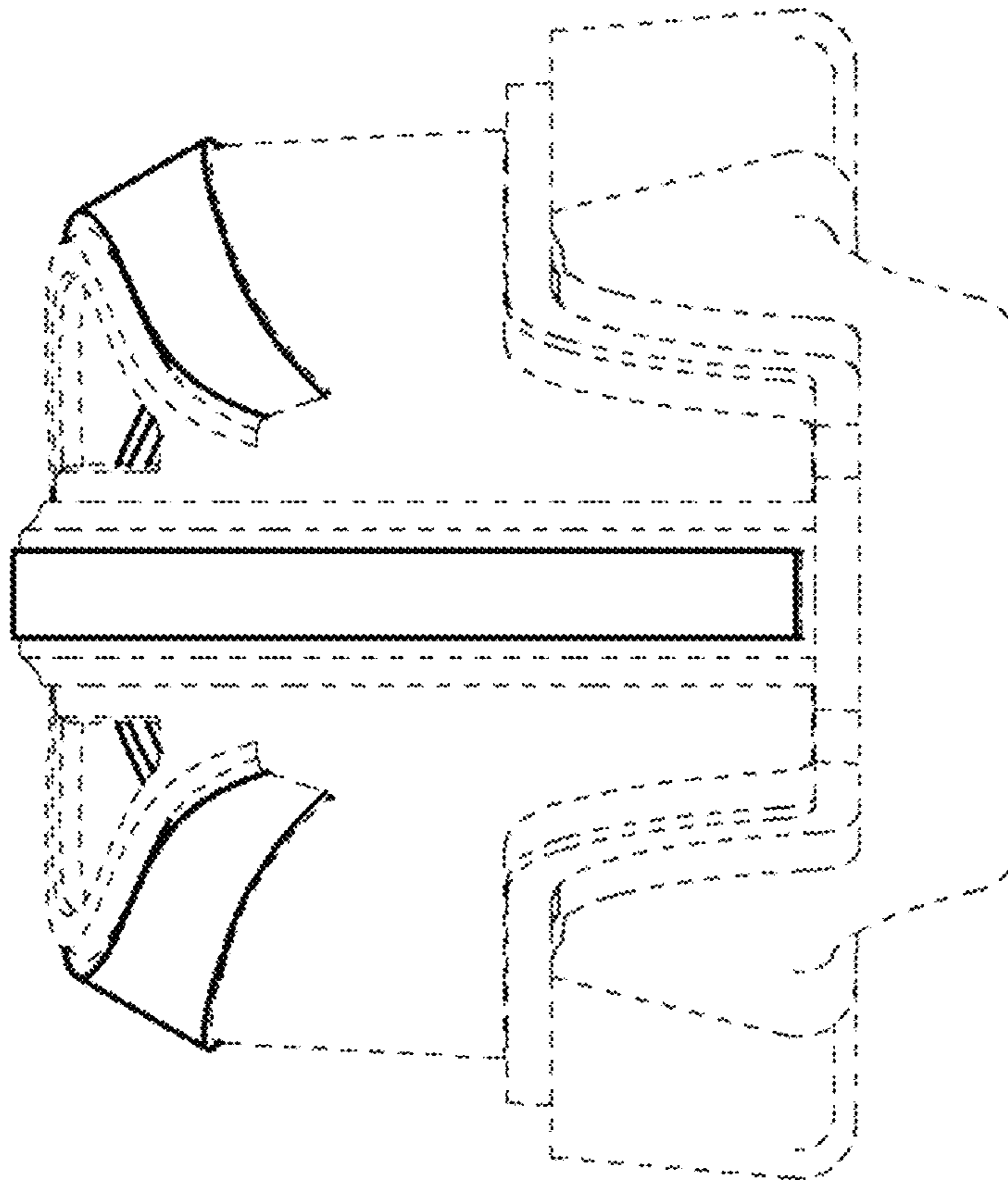
1.3



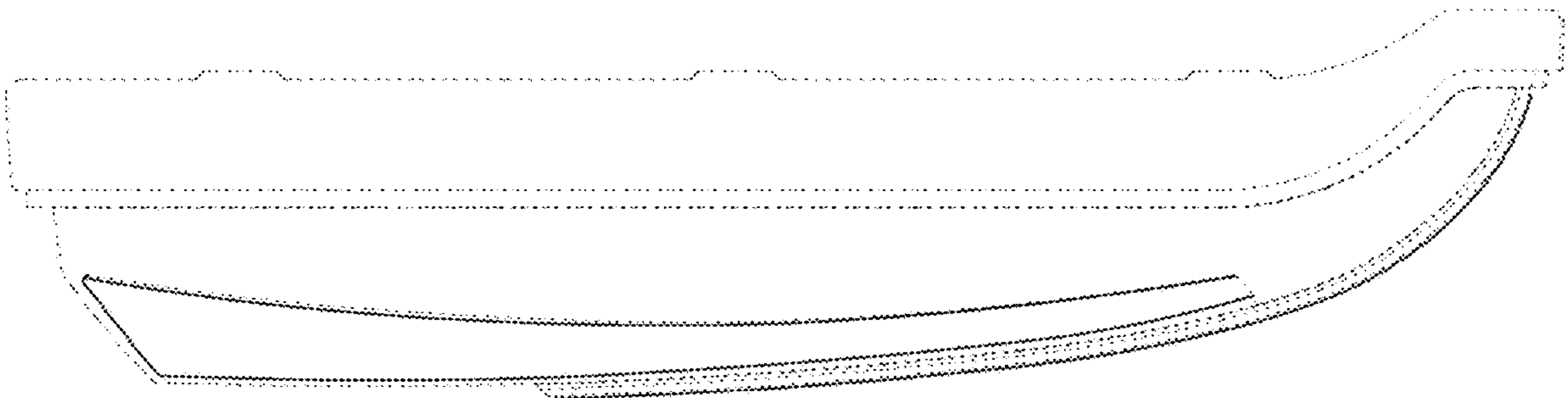
1.4



1.5



1.6



1.7

