



(12) **United States Design Patent**  
**Yun et al.**

(10) **Patent No.:** **US D887,600 S**  
(45) **Date of Patent:** **\*\* Jun. 16, 2020**

(54) **REAR COMBINATION LAMP FOR A VEHICLE**

(71) Applicant: **LG INNOTEK CO., LTD.**, Seoul (KR)

(72) Inventors: **Dukhyun Yun**, Seoul (KR); **Kihyun Jeong**, Seoul (KR)

(73) Assignee: **LG INNOTEK CO., LTD.**, Seoul (KR)

(\*\*) Term: **15 Years**

(21) Appl. No.: **35/506,716**

(22) Filed: **Nov. 5, 2018**

(80) **Hague Agreement Data**

Int. Filing Date: **Nov. 5, 2018**

Int. Reg. No.: **DM/103659**

Int. Reg. Date: **Nov. 5, 2018**

Int. Reg. Pub. Date: **May 10, 2019**

(30) **Foreign Application Priority Data**

Jun. 14, 2018 (KR) ..... 30-2018-0027369

(51) **LOC (12) Cl.** ..... **26-06**

(52) **U.S. Cl.**  
USPC ..... **D26/35**

(58) **Field of Classification Search**

USPC ..... D12/196; D26/28, 35, 36; D21/433  
CPC .. F21S 41/00; F21S 41/20; F21S 41/30; F21S  
43/14; F21S 43/15

See application file for complete search history.

(56) **References Cited**

**U.S. PATENT DOCUMENTS**

D812,271 S \* 3/2018 Katagiri ..... D26/28  
D834,228 S \* 11/2018 Lee ..... D26/28  
D846,779 S \* 4/2019 Hwang ..... D26/28  
D851,295 S \* 6/2019 Whang ..... D26/28

**OTHER PUBLICATIONS**

Vland-carlamp.com: LED Tail lights for Hyundai Elantra. Undated; 4 pages. Found online Feb. 11, 2020 at [https://www.vland-carlamp.com/Led\\_Tail\\_lights\\_For\\_Hyundai\\_Elantra\\_20112013/p4995994\\_20079497.aspx](https://www.vland-carlamp.com/Led_Tail_lights_For_Hyundai_Elantra_20112013/p4995994_20079497.aspx).\*

\* cited by examiner

*Primary Examiner* — Robert M. Spear

(74) *Attorney, Agent, or Firm* — Saliwanchik, Lloyd & Eisenschenk

(57) **CLAIM**

The ornamental design for rear combination lamp for a vehicle, as shown and described.

**DESCRIPTION**

1. Rear combination lamp for a vehicle

1.1 : Perspective

1.2 : Front

1.3 : Back

1.4 : Left

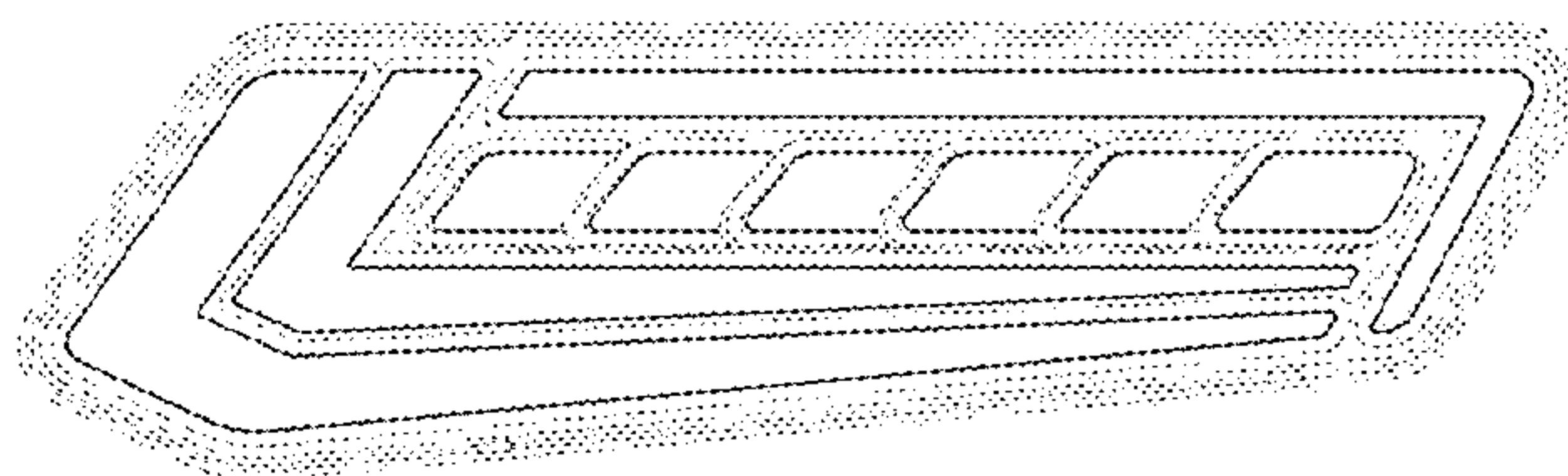
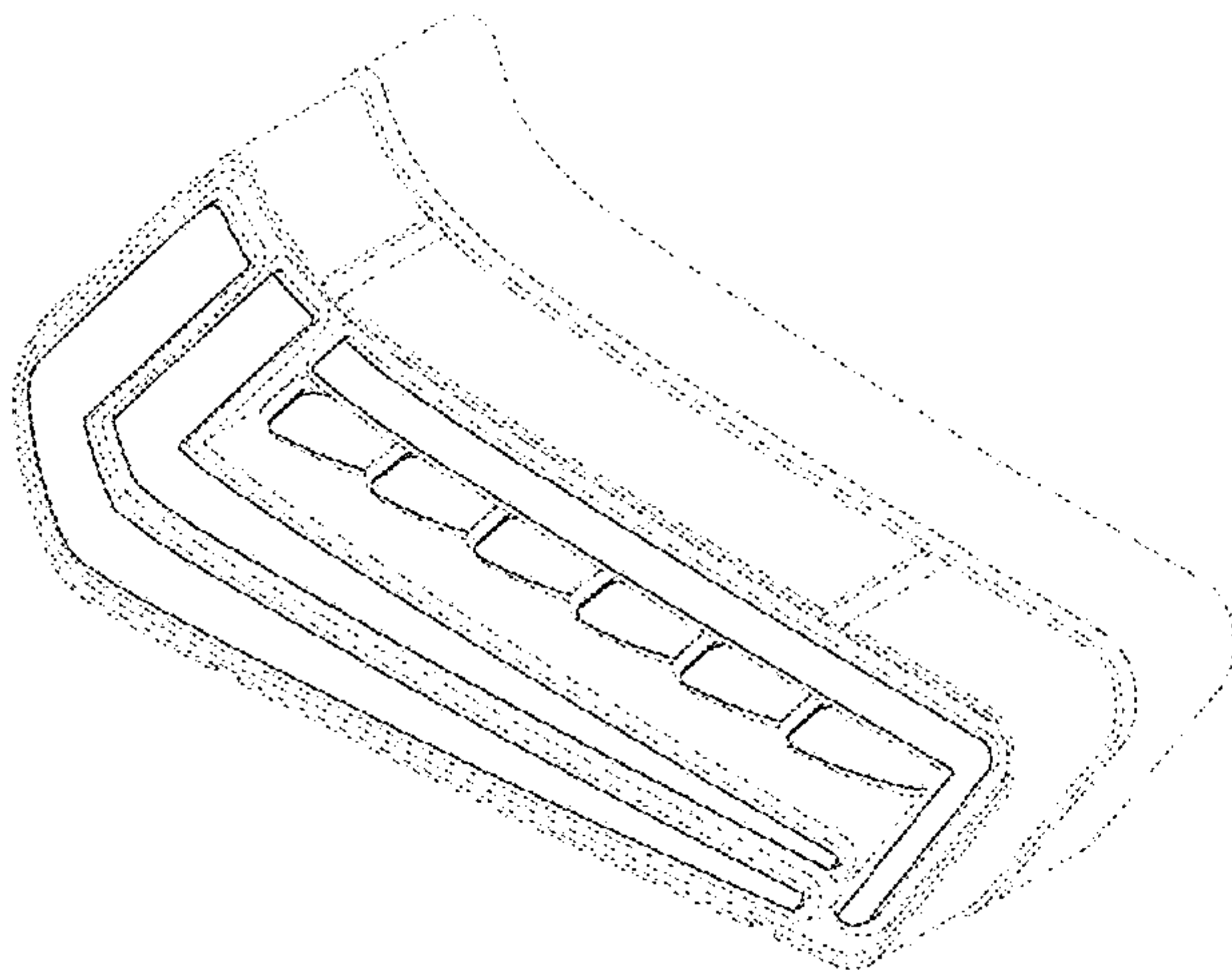
1.5 : Right

1.6 : Top

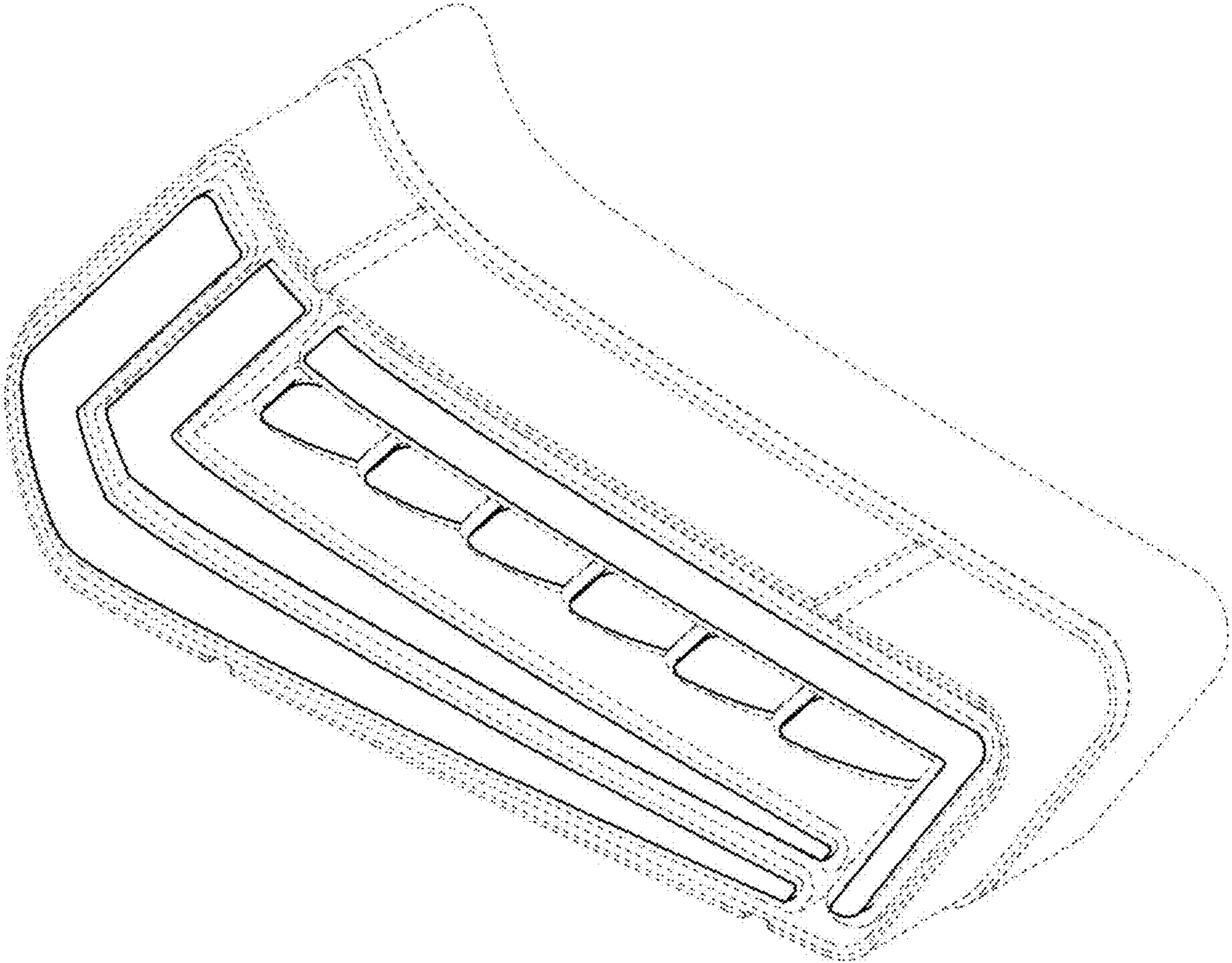
1.7 : Bottom

The broken lines indicate unclaimed portions of the article that form no part of the claimed design.

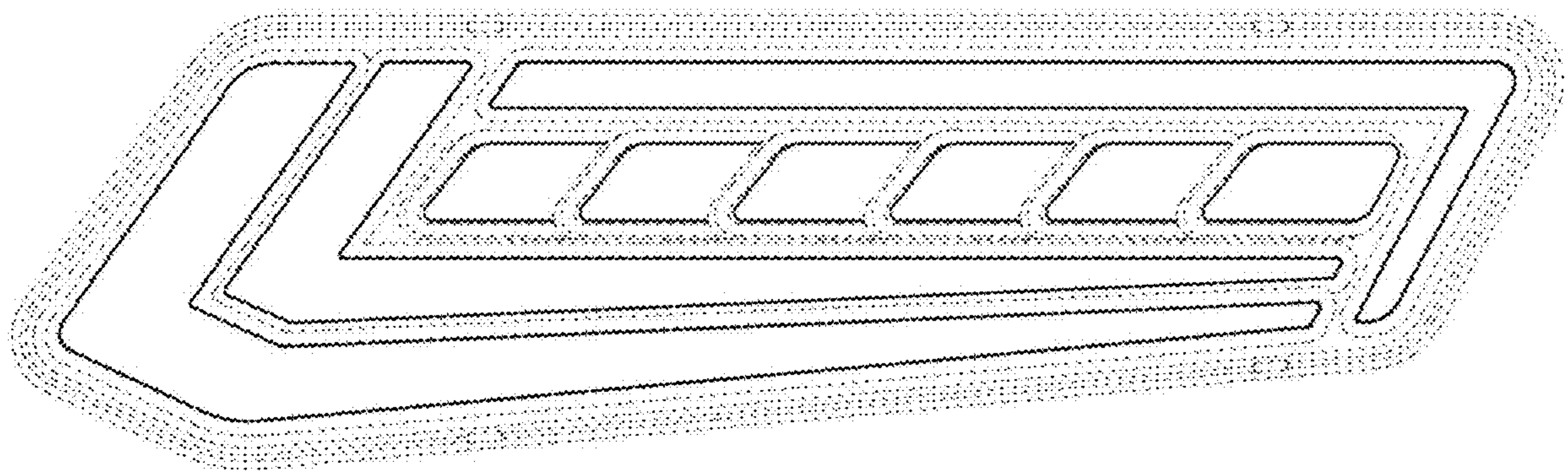
**1 Claim, 7 Drawing Sheets**



1.1



1.2

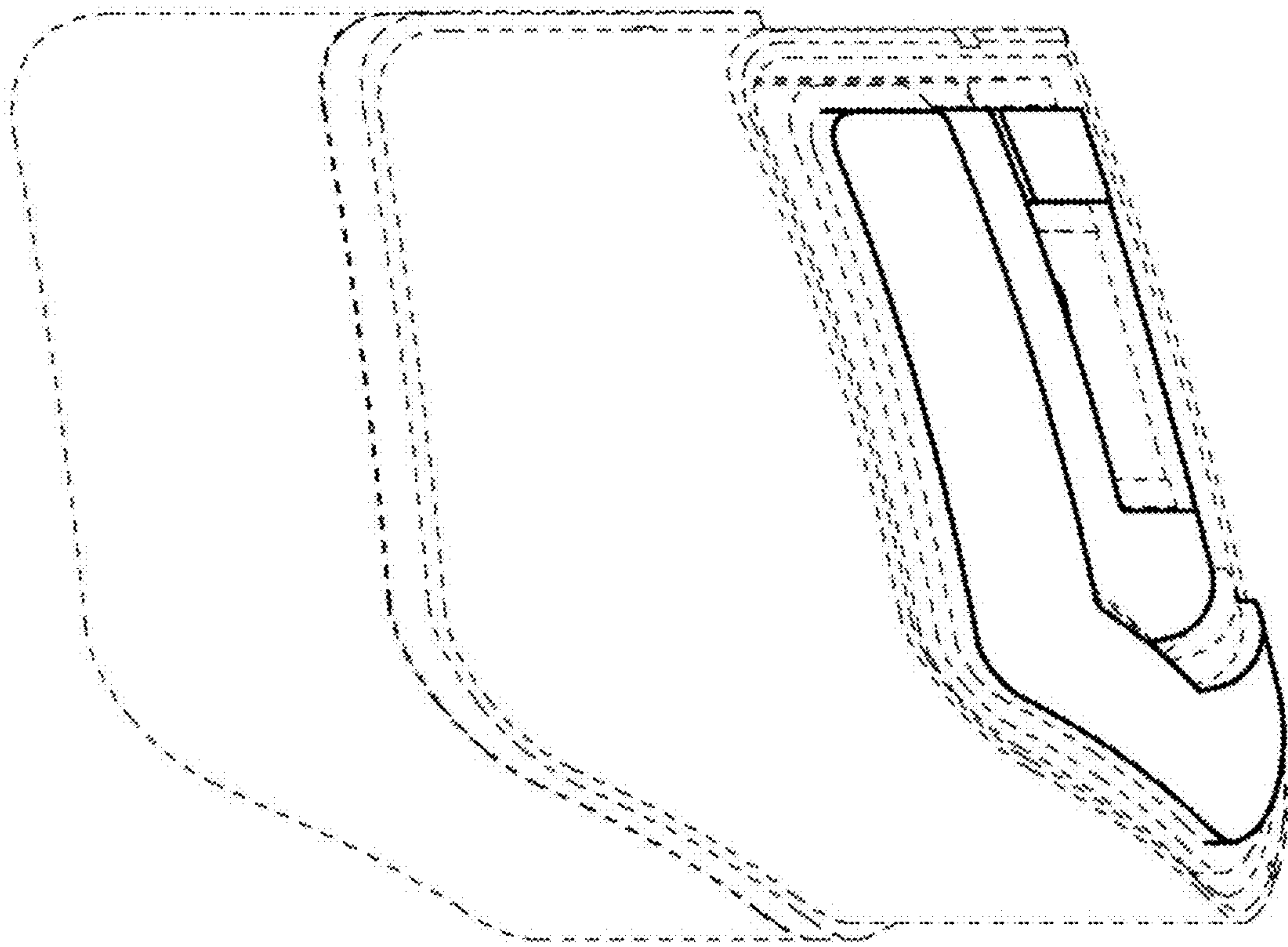


1.3

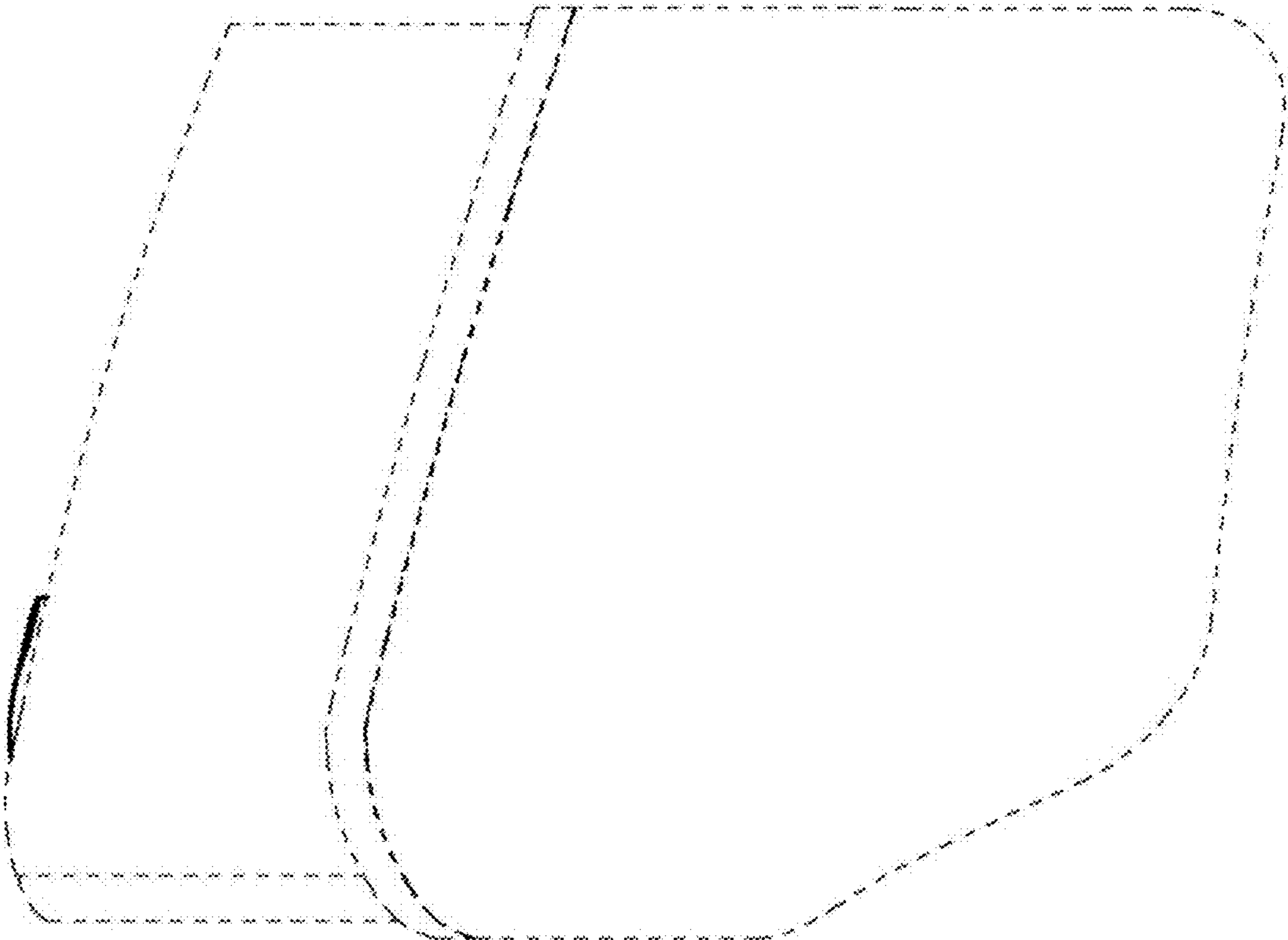




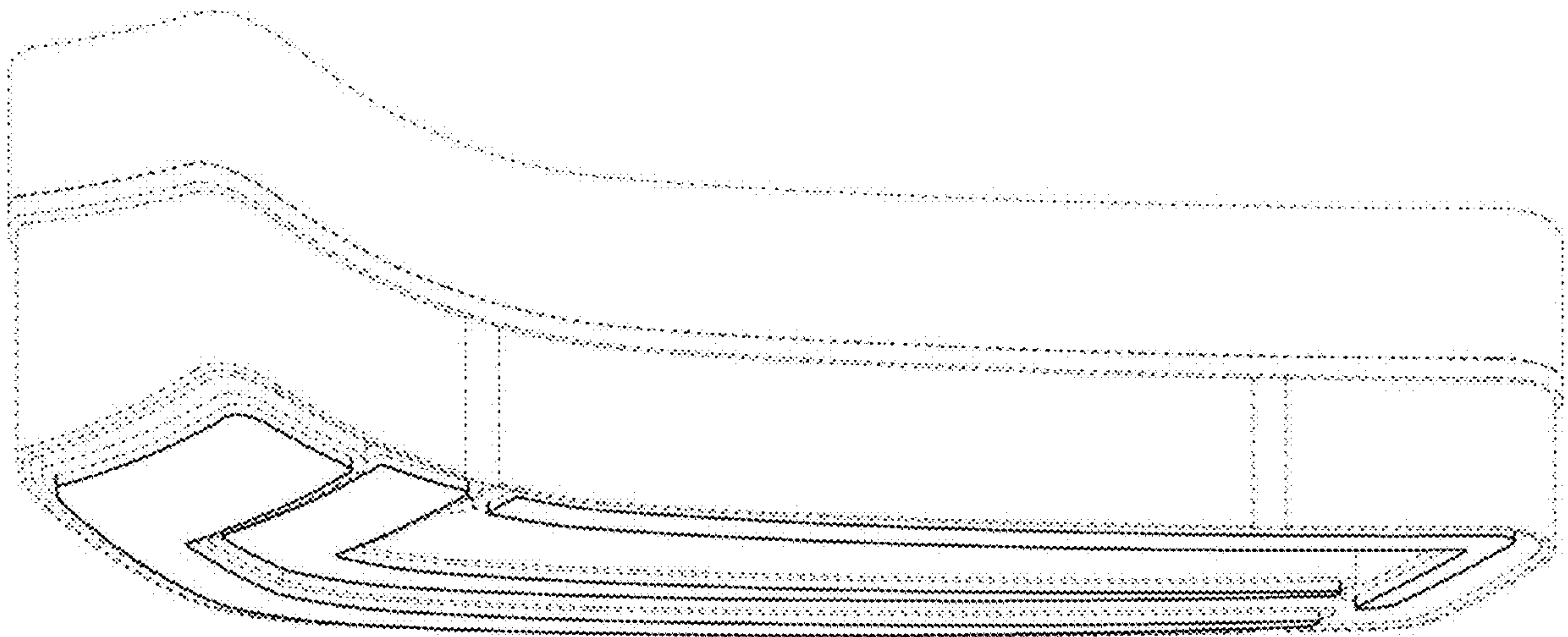
1.4



1.5



1.6



1.7

