



US00D887598S

(12) **United States Design Patent** (10) **Patent No.:** **US D887,598 S**
Yi (45) **Date of Patent:** **** Jun. 16, 2020**

(54) **VEHICLE INTERIOR CABIN FORWARD FACING BRAKE LIGHT**

(71) Applicant: **Yong Guk Yi**, Corona, CA (US)

(72) Inventor: **Yong Guk Yi**, Corona, CA (US)

(**) Term: **15 Years**

(21) Appl. No.: **29/722,067**

(22) Filed: **Jan. 26, 2020**

(51) **LOC (12) Cl.** **26-06**

(52) **U.S. Cl.**
USPC **D26/31**

(58) **Field of Classification Search**
USPC D26/28-36, 139
CPC F21S 48/00; F21S 48/10; F21S 48/115;
F21S 48/225; F21S 48/1233; F21S
48/1266; F21S 48/1388; F21S 48/2268;
F21V 21/04; F21V 29/004; B60Q 9/13;
B60Q 9/135; B60Q 9/1375
See application file for complete search history.

(56) **References Cited**

U.S. PATENT DOCUMENTS

D303,016 S	8/1989	Yuen
D313,661 S	1/1991	Kang
D316,230 S	4/1991	Munoz
5,150,098 A	9/1992	Rakow
D332,837 S	1/1993	Kim
5,373,426 A	12/1994	O'Sullivan
5,580,153 A	12/1996	Motz

D393,913 S	4/1998	Edsall	
D400,992 S	*	11/1998	Ruminski D26/31
D451,218 S		11/2001	Bernier
D459,010 S	*	6/2002	Holmberg D26/31
D526,430 S		8/2006	Hernandez
D576,754 S	*	9/2008	Wang D26/31
D653,783 S	*	2/2012	Biro D26/31
D676,990 S	*	2/2013	Adams D26/31
D850,679 S		6/2019	Lin

* cited by examiner

Primary Examiner — Marcus A Jackson

(74) *Attorney, Agent, or Firm* — Alexander Chen, Esq.

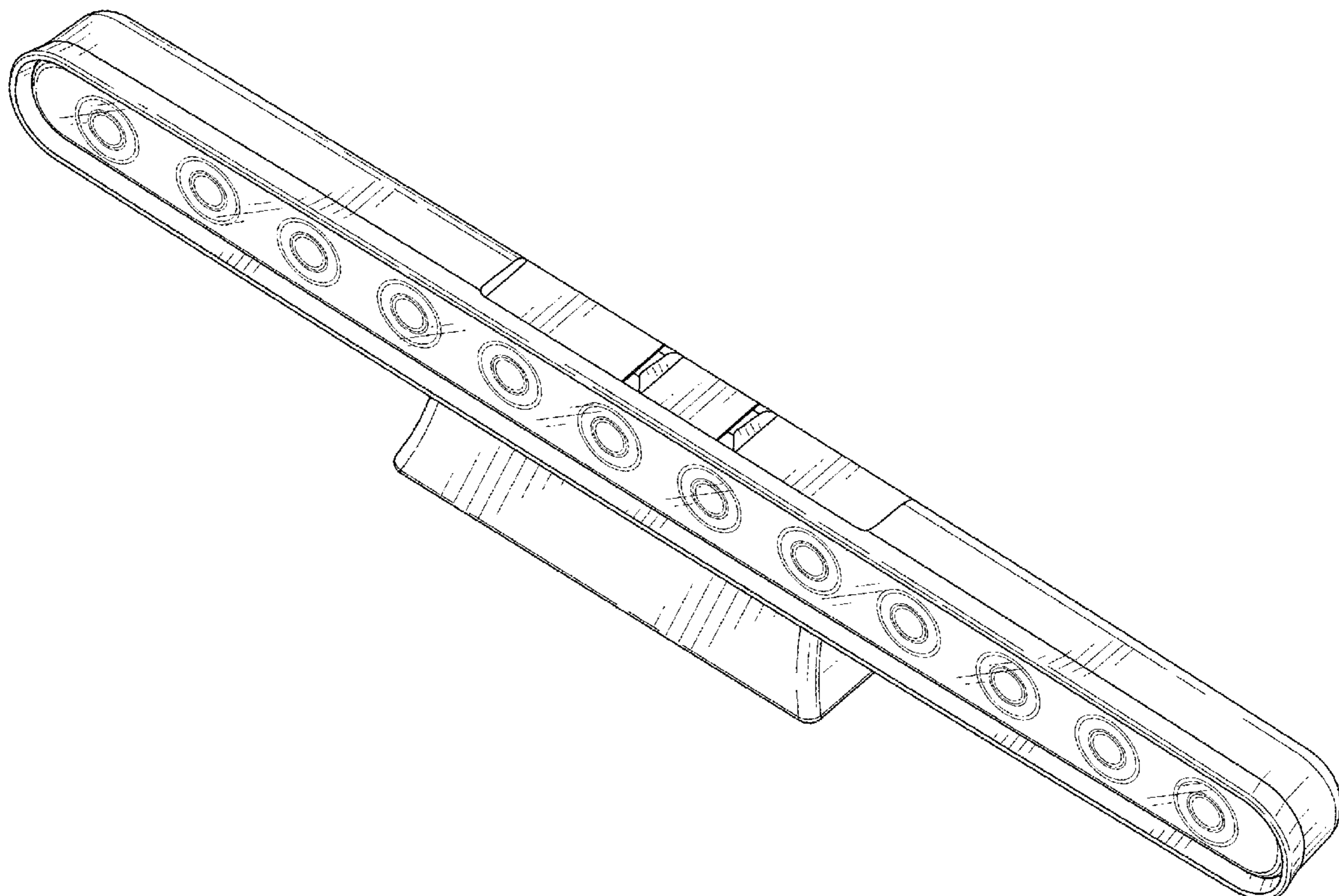
(57) **CLAIM**

The ornamental design for a vehicle interior cabin forward facing brake light, as shown and described.

DESCRIPTION

FIG. 1 is a front side perspective view of a vehicle interior cabin forward facing brake light;
FIG. 2 is a front view thereof;
FIG. 3 is a back view thereof;
FIG. 4 is a right side view thereof;
FIG. 5 is a left side view thereof;
FIG. 6 is a top side view thereof;
FIG. 7 is a bottom side view thereof;
FIG. 8 is a back side perspective view thereof; and,
FIG. 9 is an exploded view thereof.
The broken lines are included to show environmental structure and form no part of the claimed design.

1 Claim, 6 Drawing Sheets



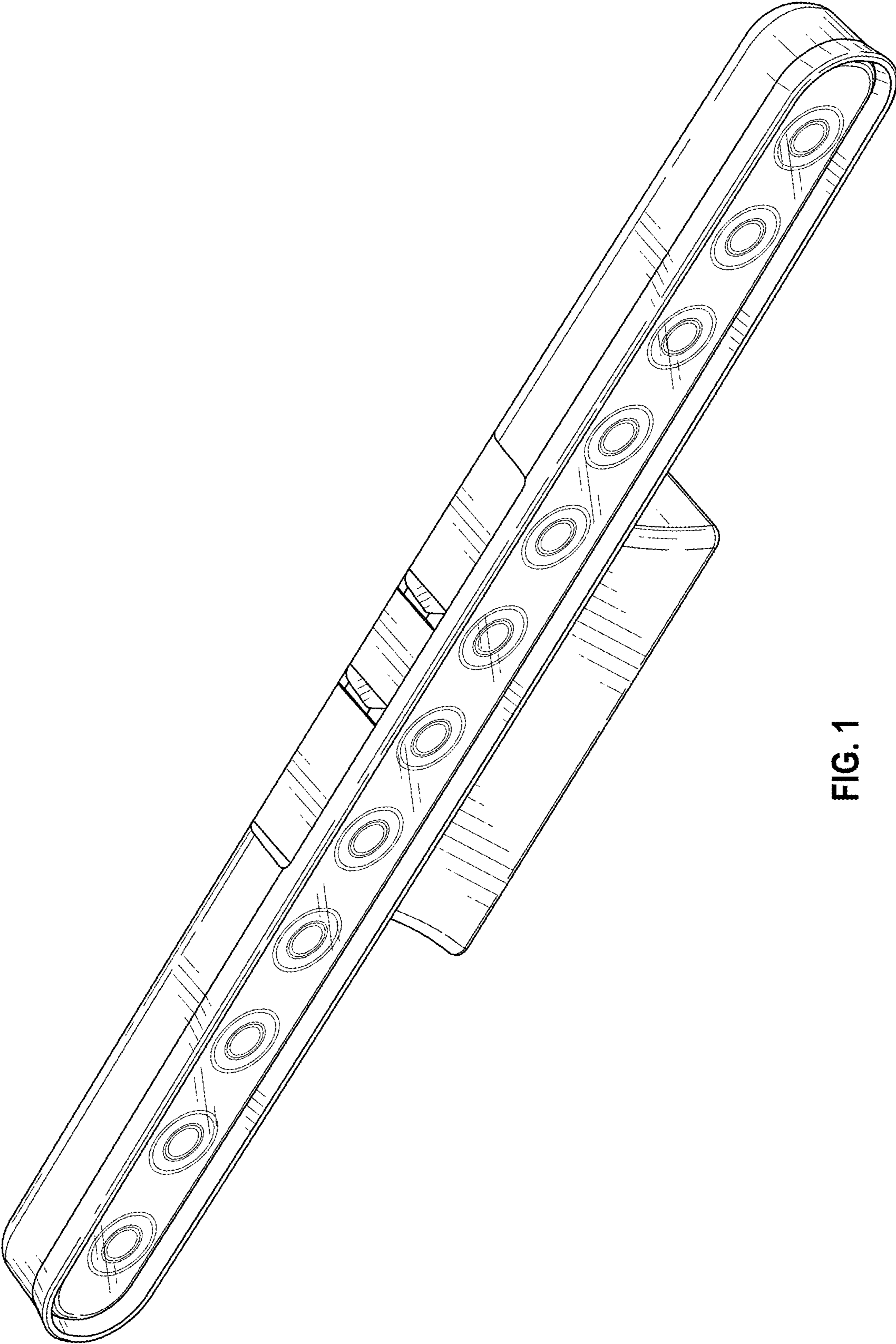


FIG. 1

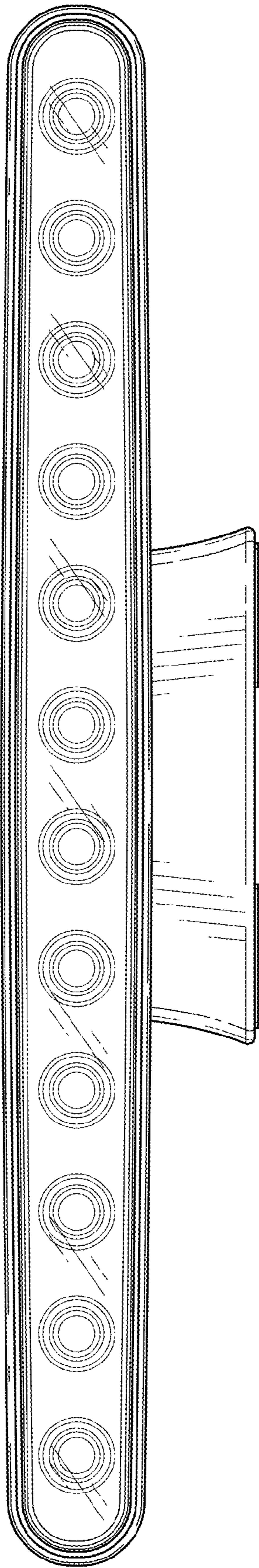


FIG. 2

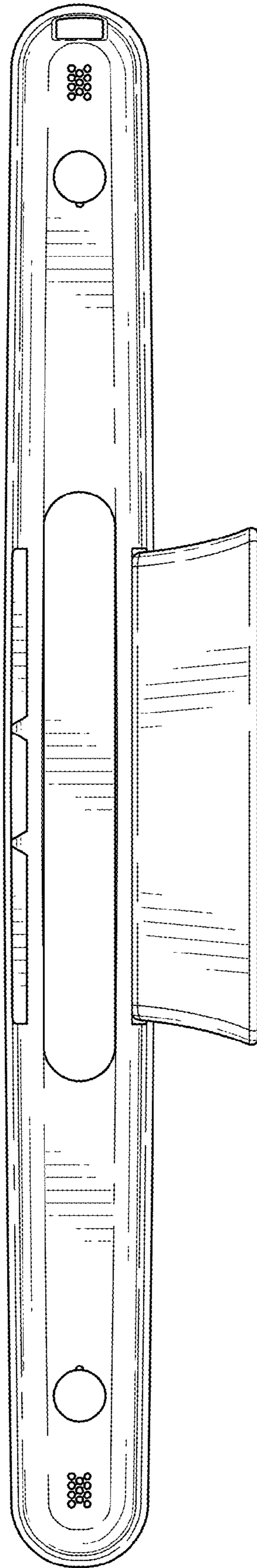


FIG. 3

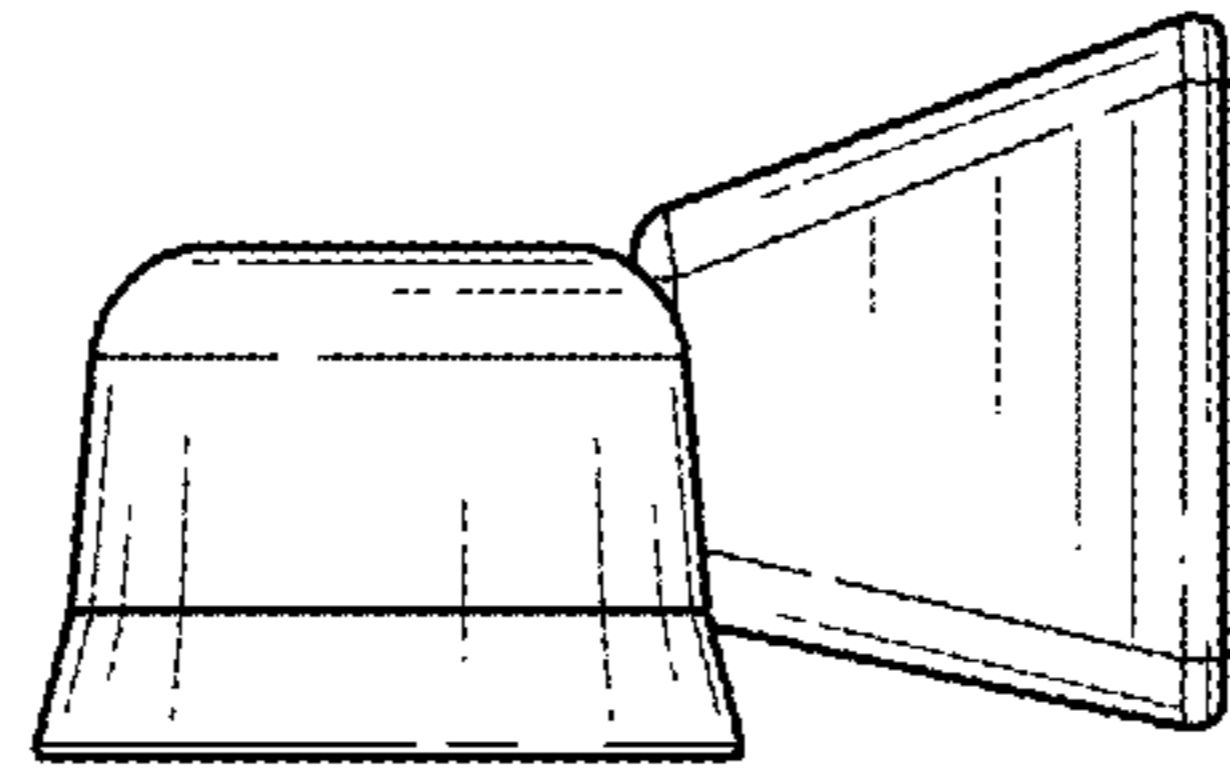


FIG. 5

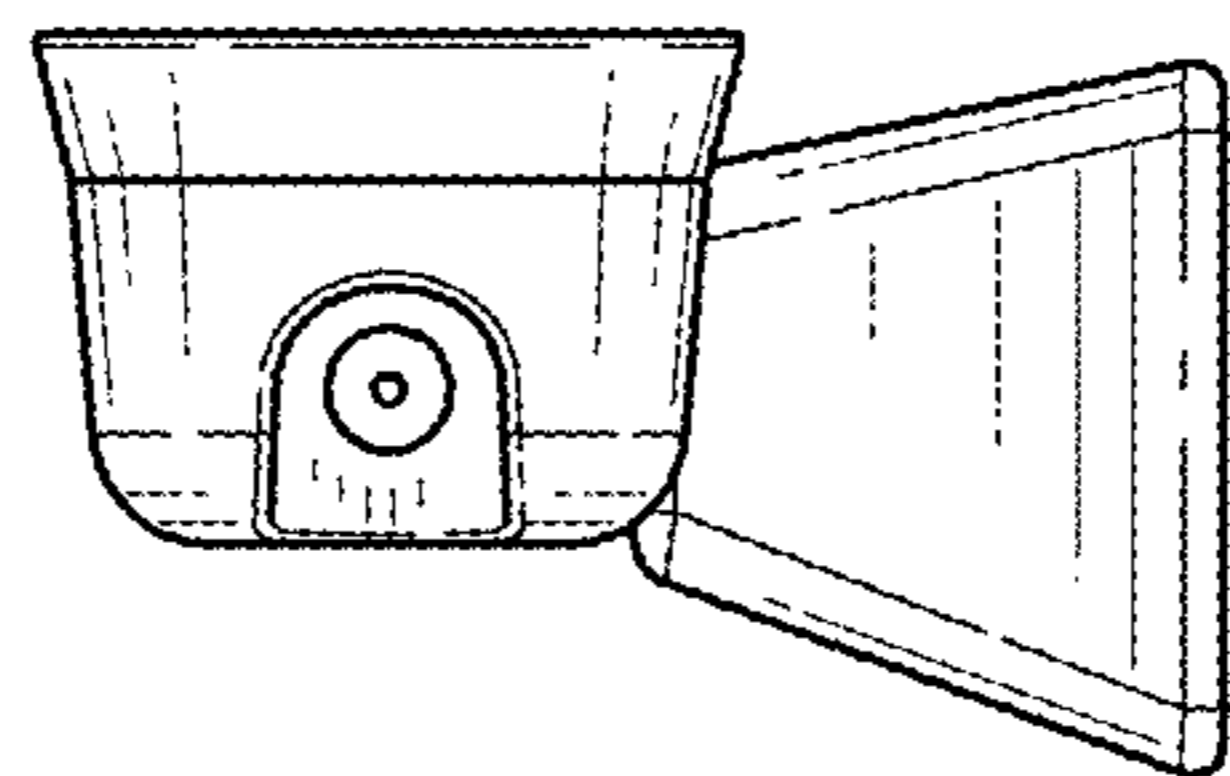


FIG. 4

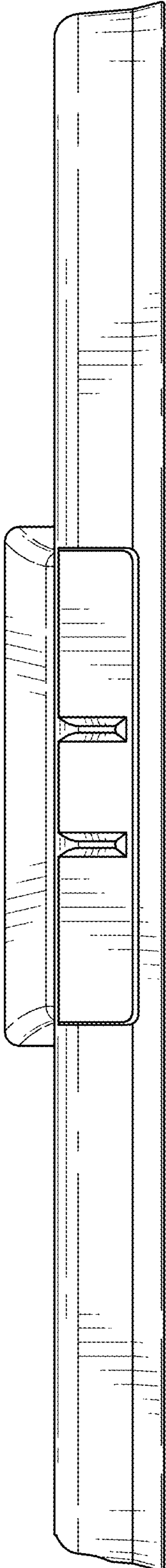


FIG. 6

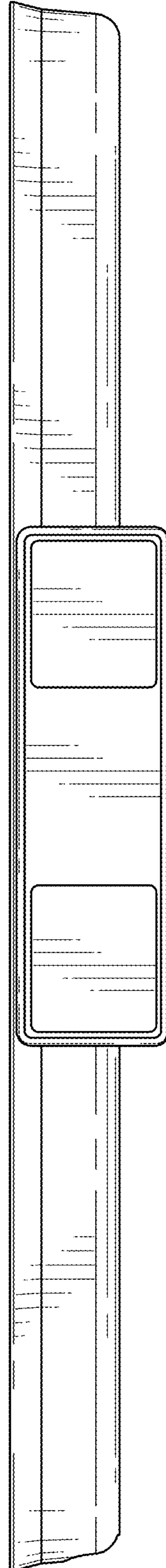


FIG. 7

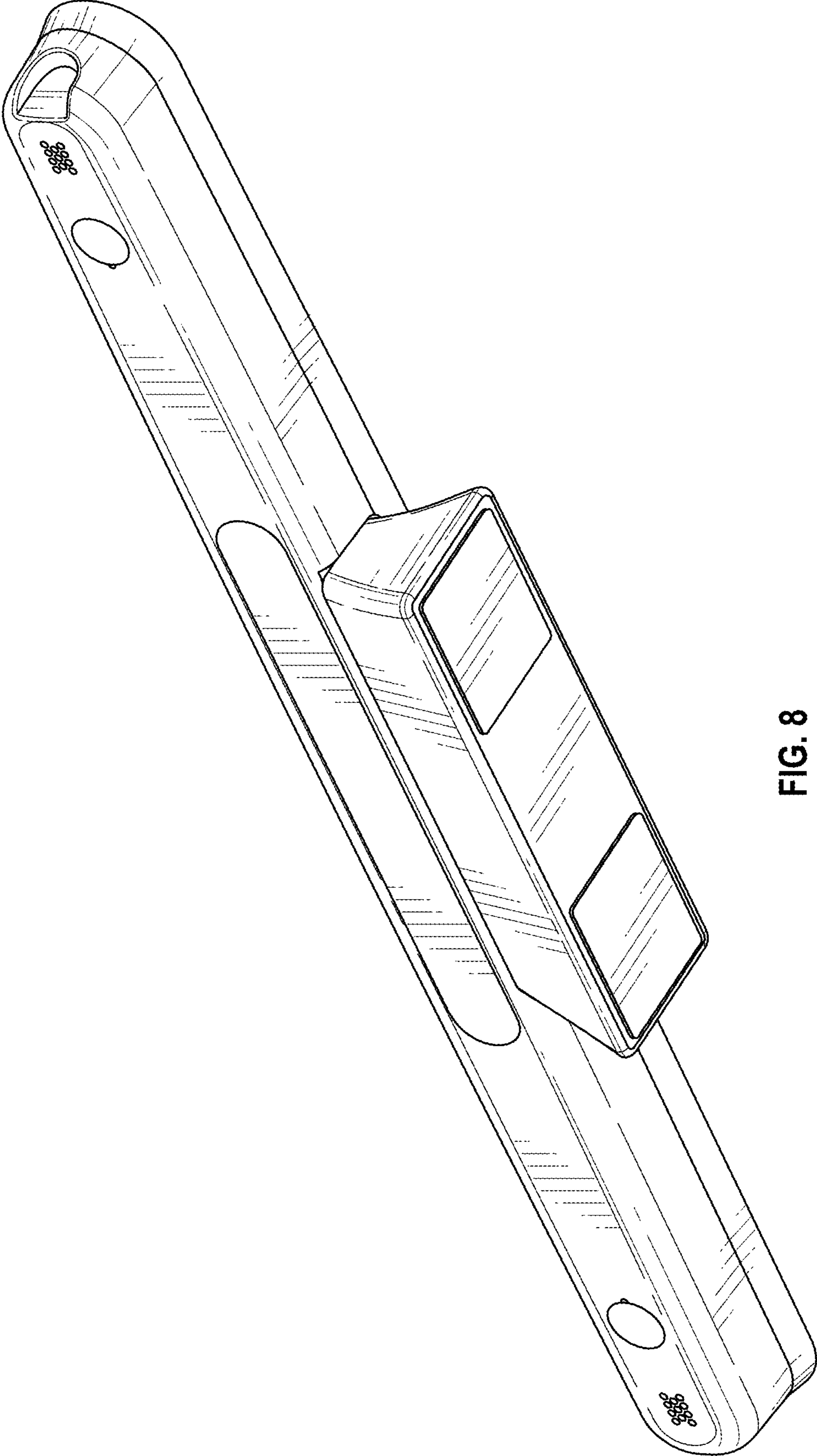


FIG. 8

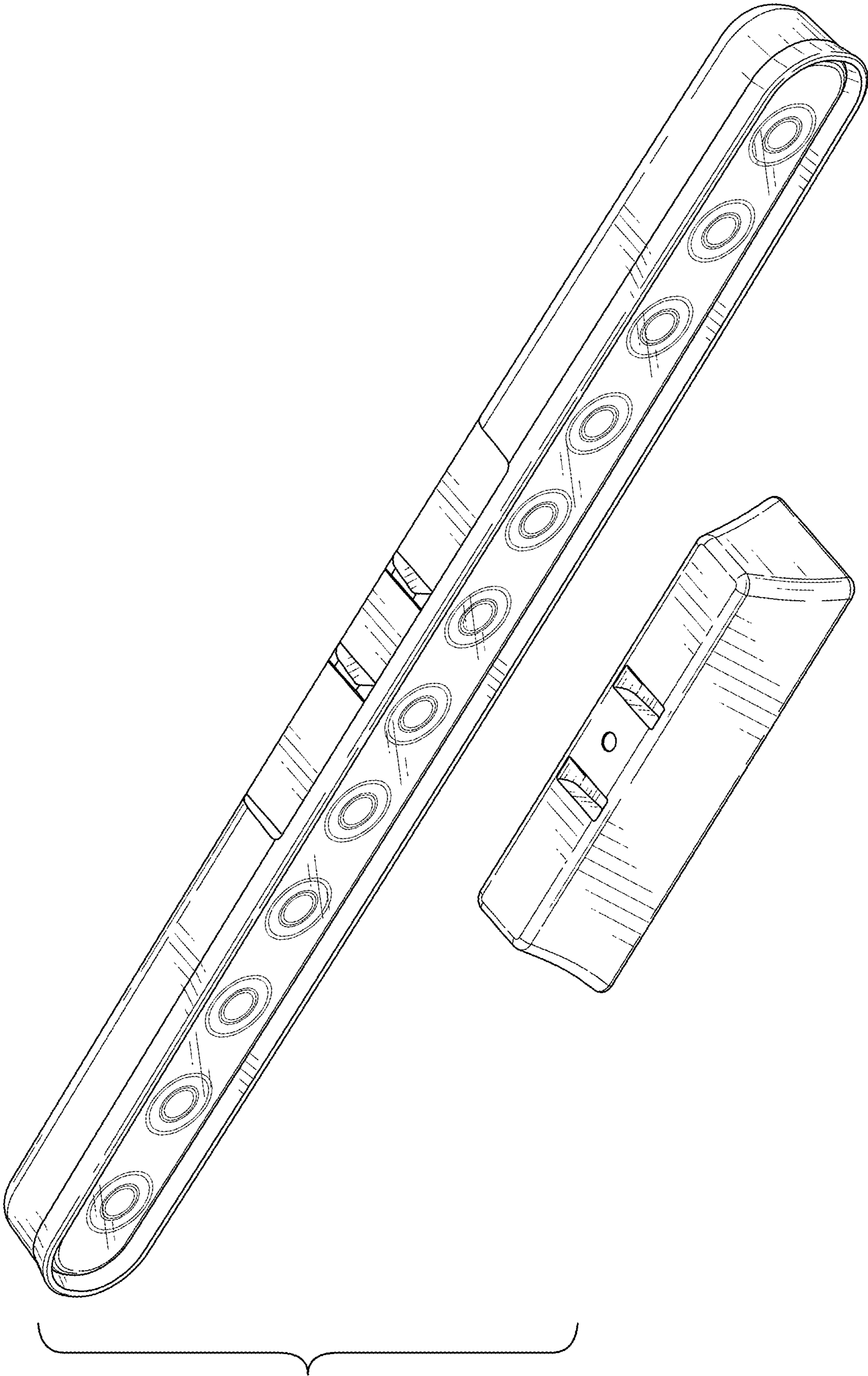


FIG. 9