



US00D887597S

(12) **United States Design Patent**
Yeh

(10) **Patent No.:** **US D887,597 S**
(45) **Date of Patent:** **** Jun. 16, 2020**

(54) **THIRD BRAKE LED LIGHT**

(71) Applicant: **JIANGSU CHEDA AUTO ACCESSORIES CO., LTD,**
Changzhou, Jiangsu (CN)

(72) Inventor: **Chun-Hung Yeh,** Taiwan (CN)

(73) Assignee: **JIANGSU CHEDA AUTO ACCESSORIES CO., LTD,**
Changzhou (CN)

(**) Term: **15 Years**

(21) Appl. No.: **29/679,026**

(22) Filed: **Jan. 31, 2019**

(51) **LOC (12) Cl.** **26-06**

(52) **U.S. Cl.**
USPC **D26/31**

(58) **Field of Classification Search**
USPC D26/28-36, 139
CPC F21S 48/00; F21S 48/10; F21S 48/115;
F21S 48/225; F21S 48/1233; F21S
48/1266; F21S 48/1388; F21S 48/2268;
F21V 21/04; F21V 29/004; B60Q 9/13;
B60Q 9/135; B60Q 9/1375
See application file for complete search history.

(56) **References Cited**

U.S. PATENT DOCUMENTS

D400,992 S * 11/1998 Ruminski D26/31
D459,010 S * 6/2002 Holmberg D26/31
D850,679 S * 6/2019 Lin D26/31

* cited by examiner

Primary Examiner — Marcus A Jackson

(74) *Attorney, Agent, or Firm* — Wayne & Ken, LLC;

Tony Hom

(57) **CLAIM**

The ornamental design for a third brake LED light, as shown and described.

DESCRIPTION

FIG. 1 is a perspective view of a third brake LED light showing my new design;

FIG. 2 is another perspective view thereof;

FIG. 3 is a front elevation view thereof;

FIG. 4 is a back elevation view thereof;

FIG. 5 is a left side view thereof;

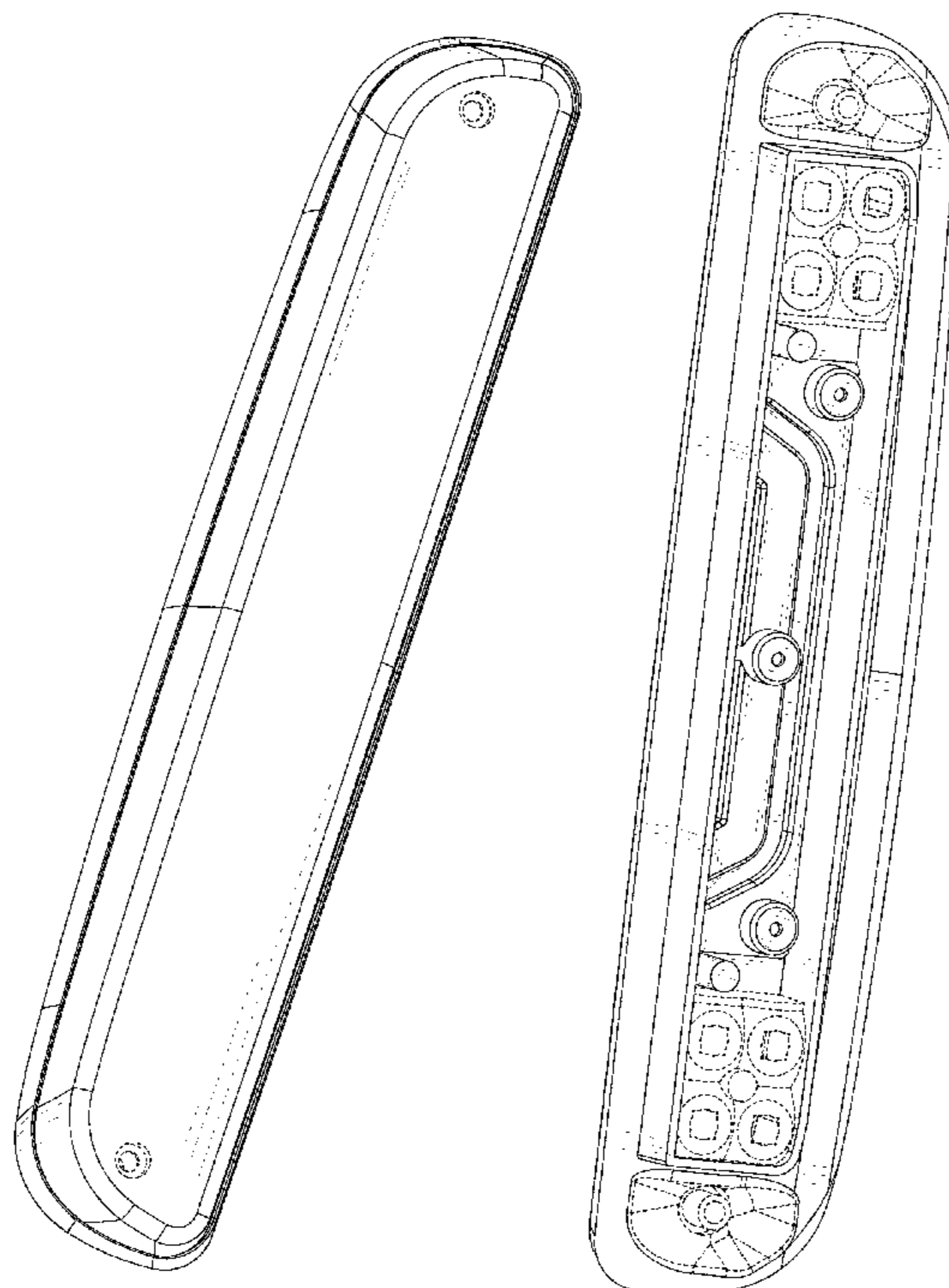
FIG. 6 is a right side view thereof; and,

FIG. 7 is a bottom plan view thereof.

A top plan view is omitted, which is a mirror image of the bottom plan view.

The broken lines in the drawing depict environmental subject matter only and form no part of the claimed design.

1 Claim, 7 Drawing Sheets



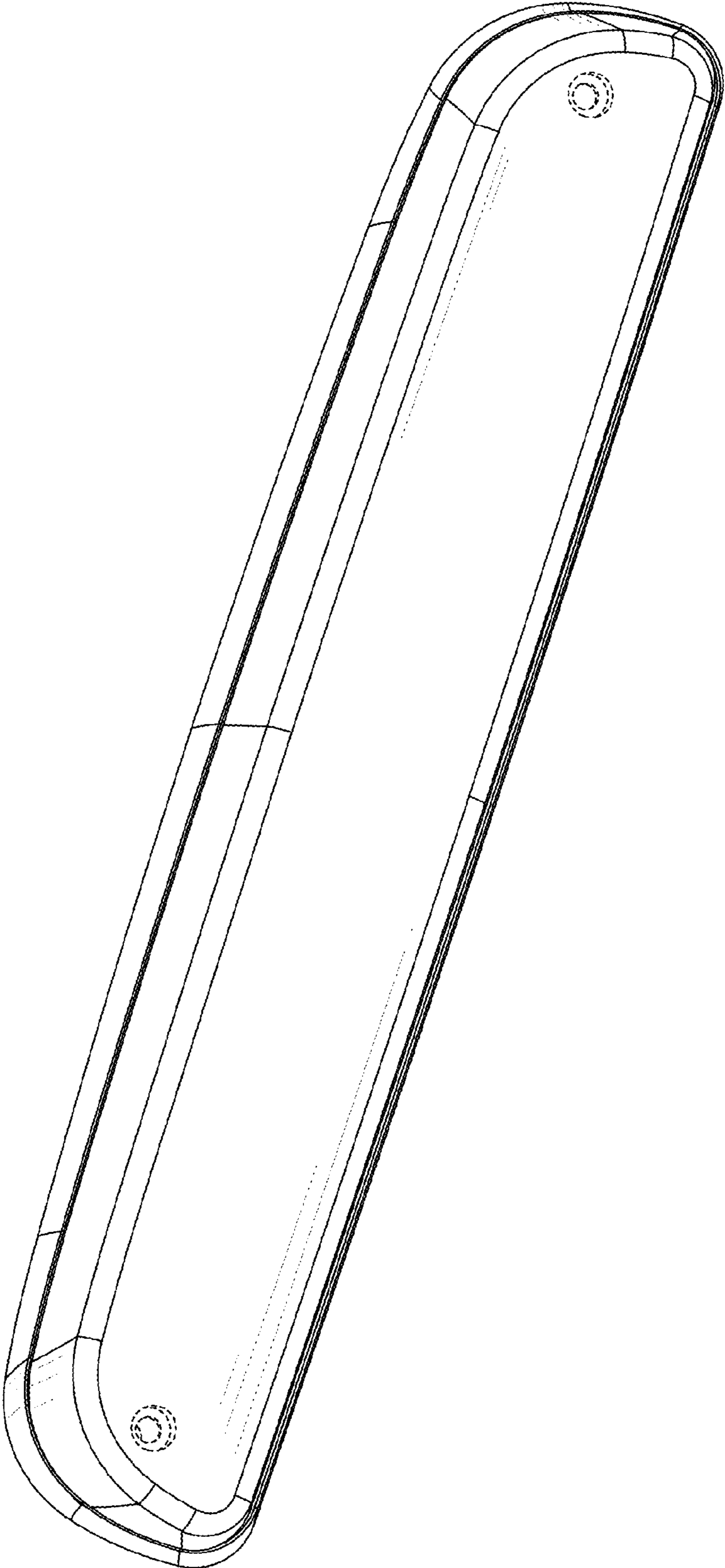


FIG. 1

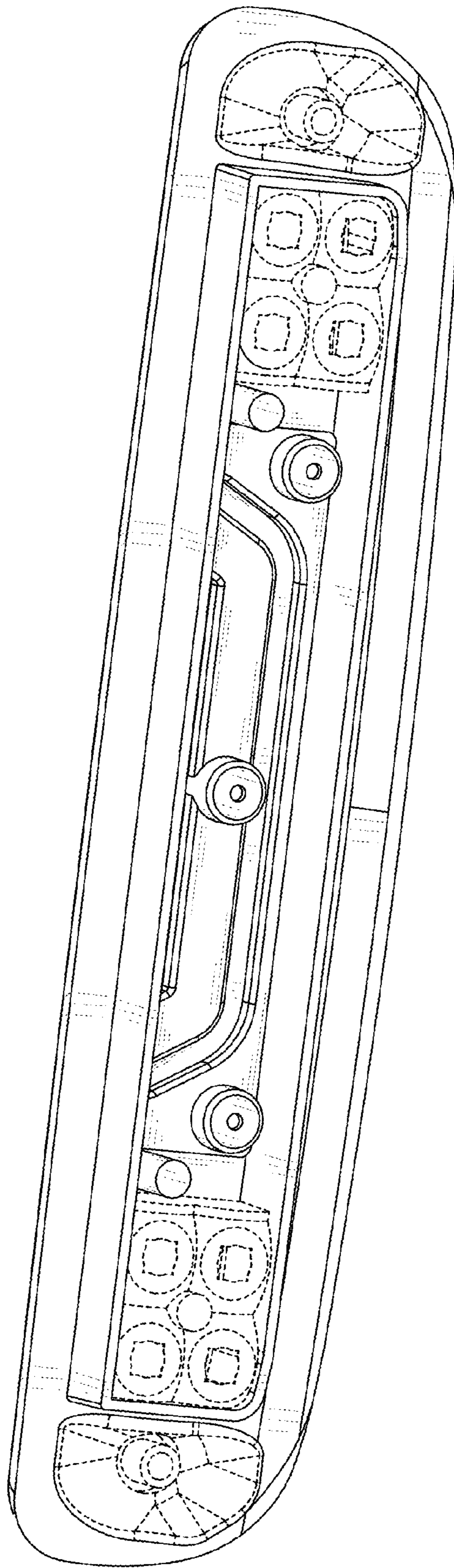


FIG. 2

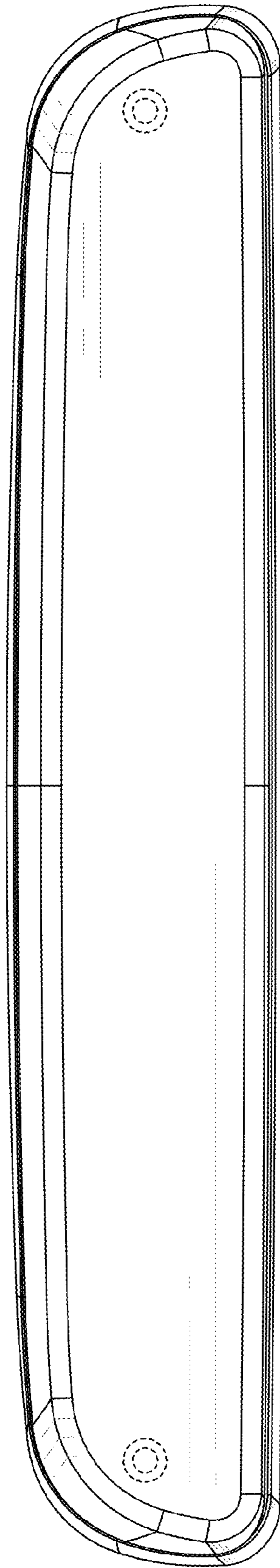


FIG. 3

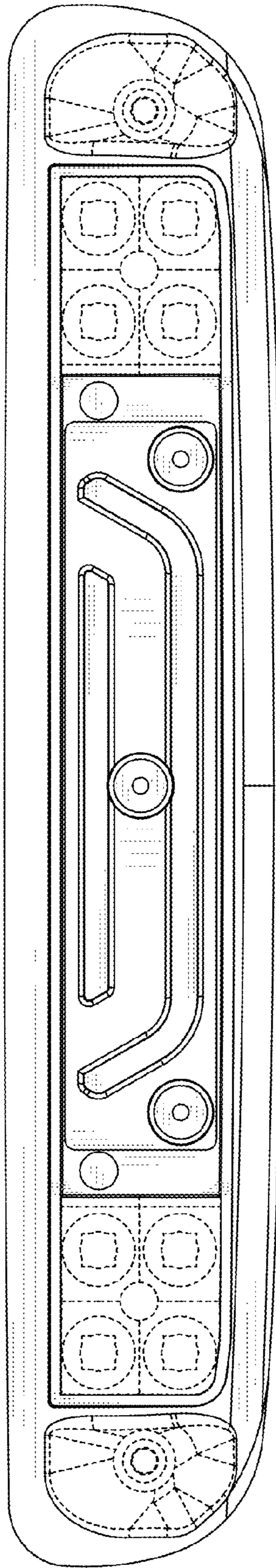


FIG. 4

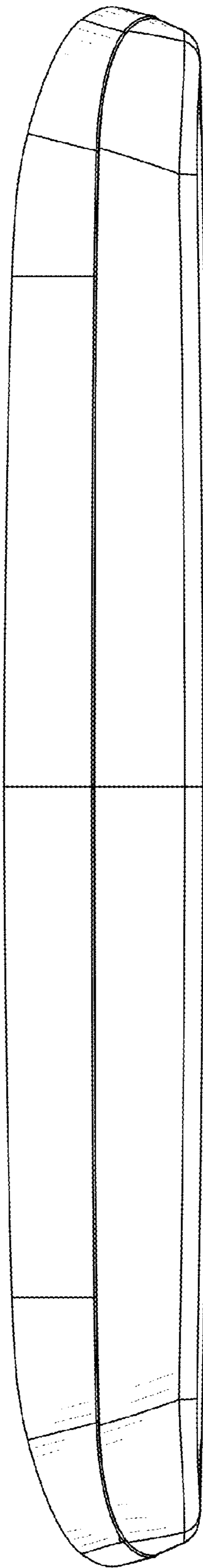


FIG. 5

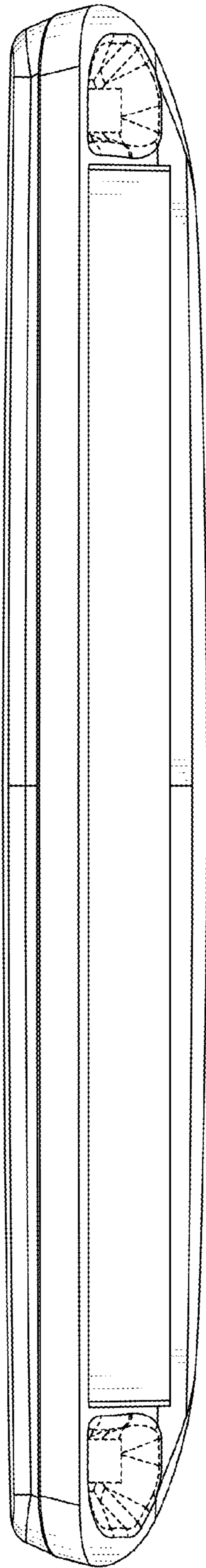


FIG. 6

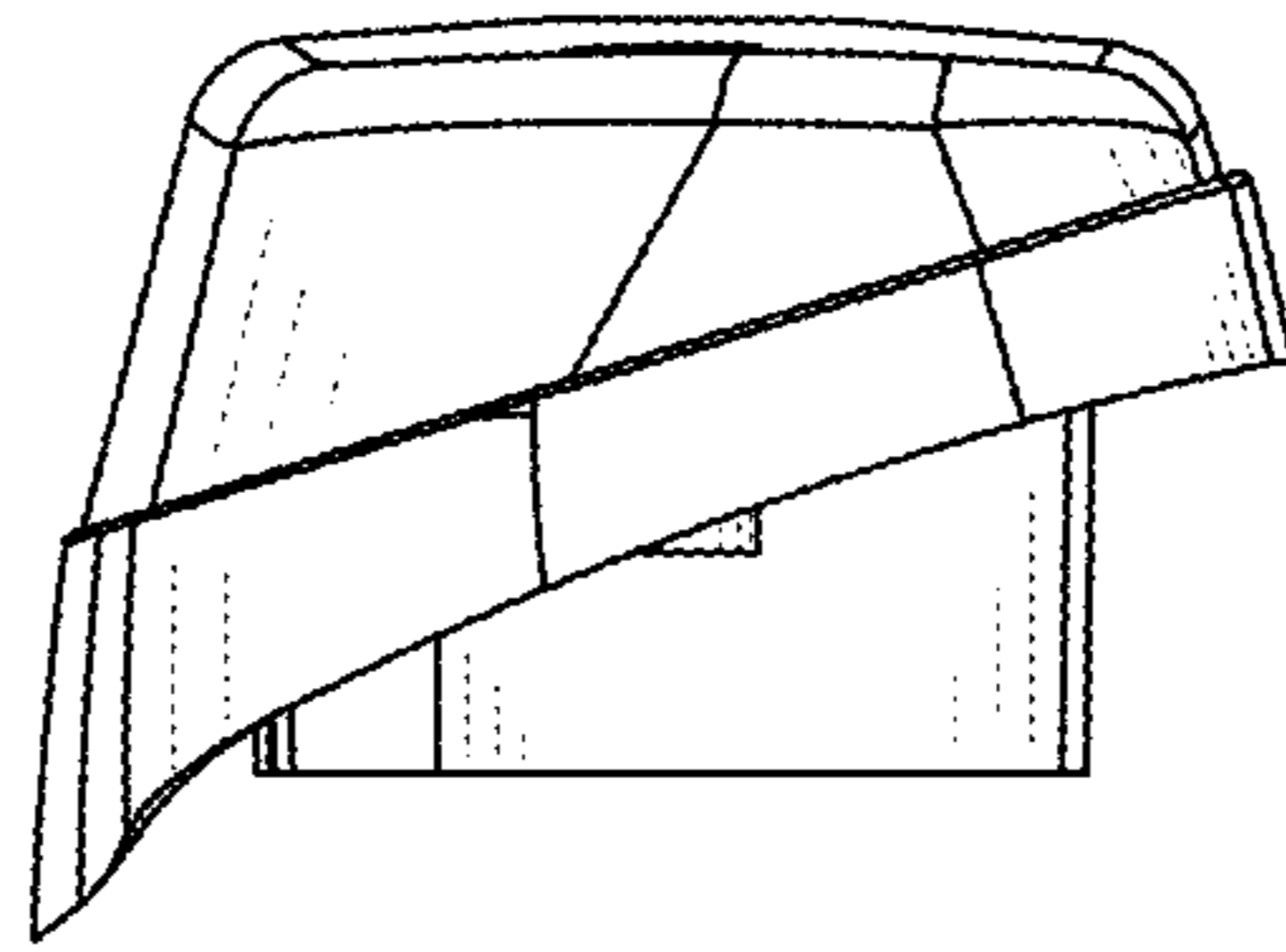


FIG. 7