



US00D887590S

(12) **United States Design Patent** (10) **Patent No.:** **US D887,590 S**
Ke (45) **Date of Patent:** **** Jun. 16, 2020**

(54) **RING LIGHT**

(71) Applicant: **SHENZHEN NEEWER TECHNOLOGY CO. LTD**, Shenzhen, Guangdong (CN)

(72) Inventor: **Yan Ke**, Jiangsu (CN)

(73) Assignee: **SHENZHEN NEEWER TECHNOLOGY CO. LTD**, Shenzhen (CN)

(**) Term: **15 Years**

(21) Appl. No.: **29/655,550**

(22) Filed: **Jul. 5, 2018**

(51) **LOC (12) Cl.** **26-04**

(52) **U.S. Cl.**
USPC **D26/1**

(58) **Field of Classification Search**
USPC D26/1-4
CPC H01R 5/00; H01R 13/46; H01R 13/514;
H01R 31/048; H01R 31/02; H01J 5/00;
H01J 5/16; H01J 1/02; H01J 15/00; H01J
5/48; H01J 5/50; H01J 19/54; F21V 5/00;
F21K 9/13; F21K 9/135; F21K 9/1375
See application file for complete search history.

(56) **References Cited**

U.S. PATENT DOCUMENTS

D508,291 S * 8/2005 Janssen D26/1
D548,857 S * 8/2007 Egawa D26/1

D600,836 S * 9/2009 Hanley D26/1
D622,876 S * 8/2010 Takahashi D26/1
D625,847 S * 10/2010 Maglica D26/1
D626,255 S * 10/2010 Hiratsuka D26/1
D636,899 S * 4/2011 Shibahara D13/180
D683,482 S * 5/2013 Bierhuizen D13/180

* cited by examiner

Primary Examiner — Marcus A Jackson

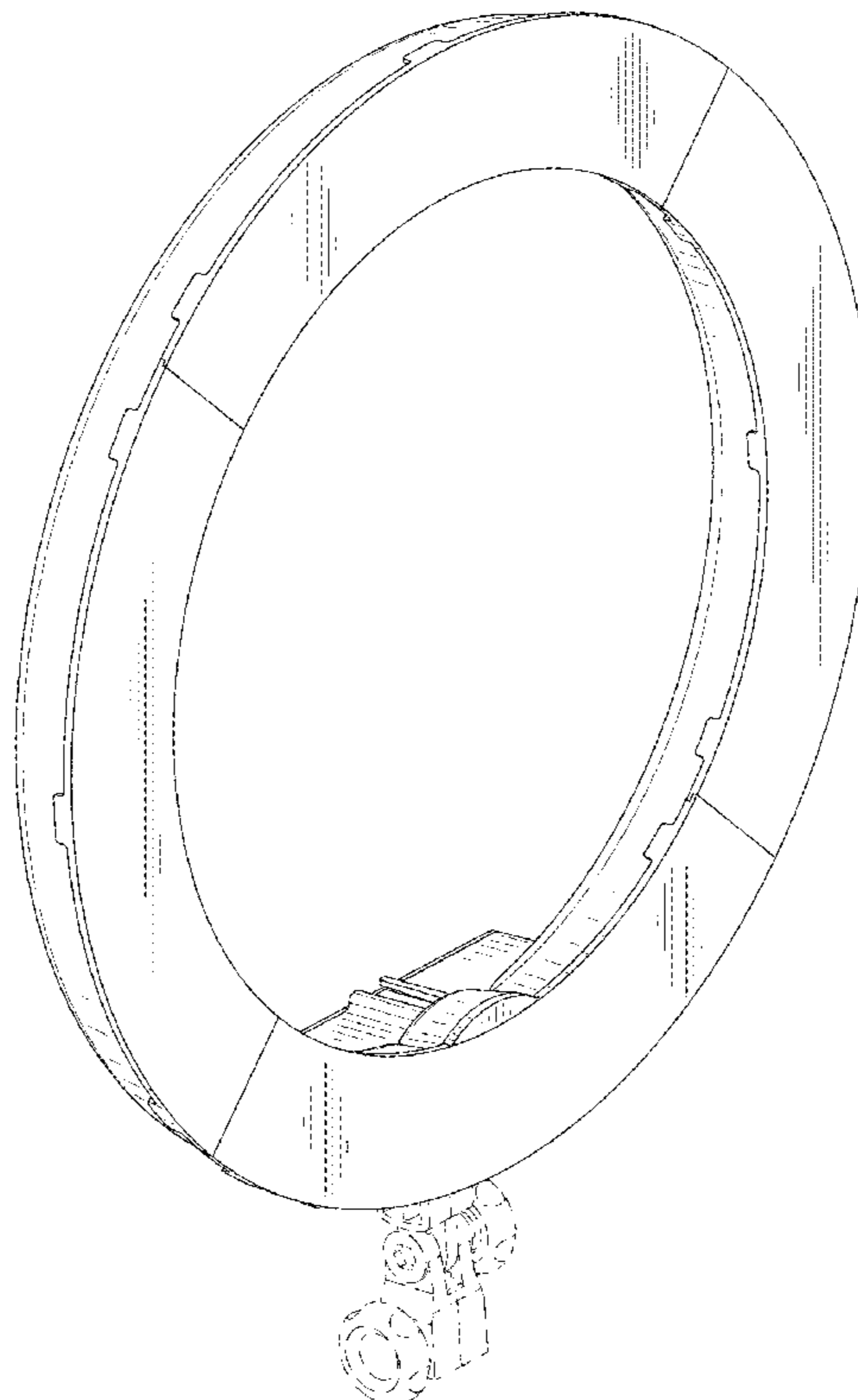
(57) **CLAIM**

The ornamental design for a ring light, as shown and described.

DESCRIPTION

FIG. 1 is a front and left side perspective view of a ring light showing my new design;
FIG. 2 is a bottom, rear and right side perspective view thereof;
FIG. 3 is a front elevational view thereof;
FIG. 4 is a rear elevational view thereof;
FIG. 5 is a left side view thereof;
FIG. 6 is a right side view thereof;
FIG. 7 is a top plan view thereof;
FIG. 8 is a bottom plan view thereof; and,
FIG. 9 is an enlarged view of portion 9 in FIG. 2.
The broken lines in the drawings illustrate portions of the ring light which form no part of the claimed design.

1 Claim, 9 Drawing Sheets



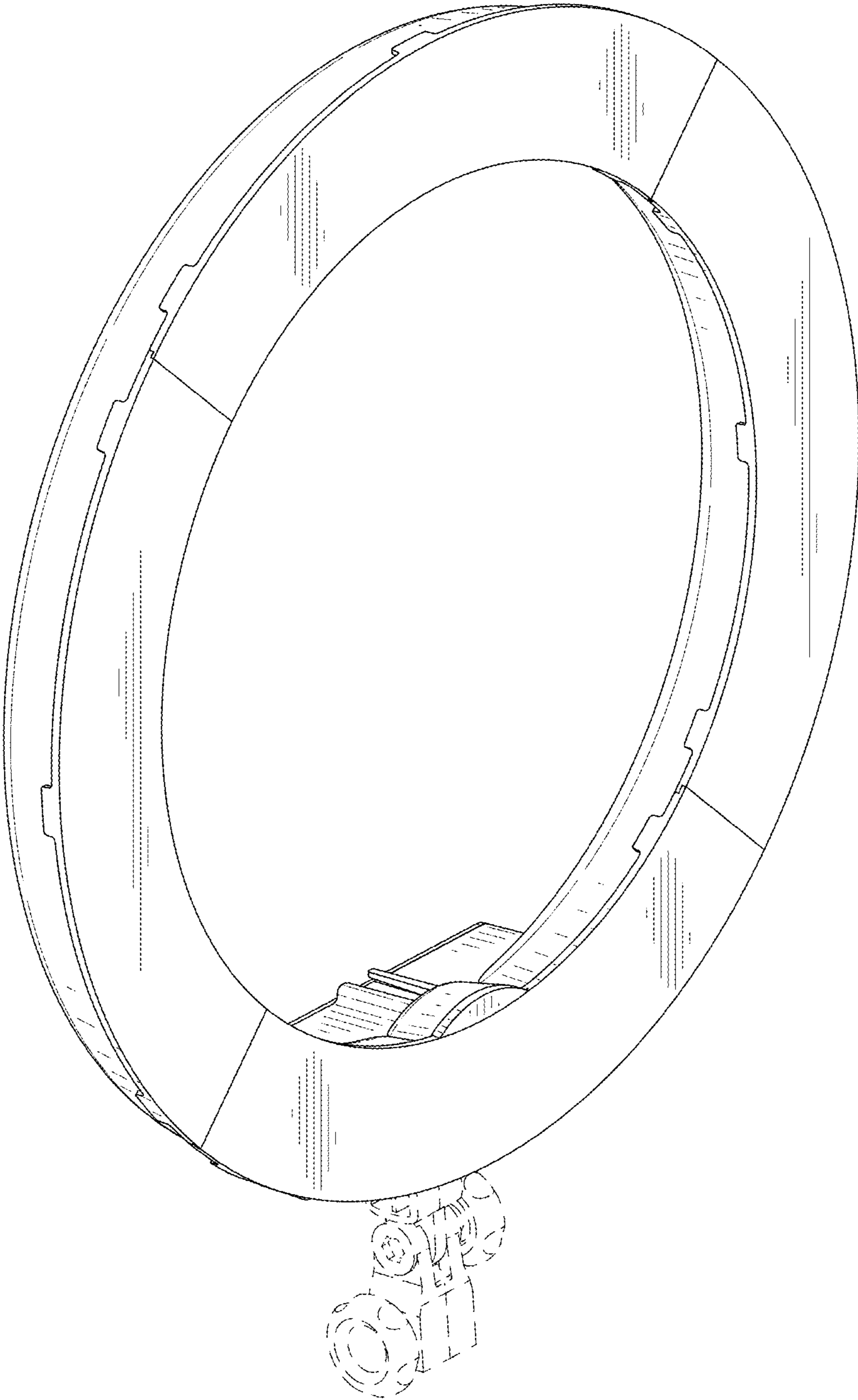


FIG. 1

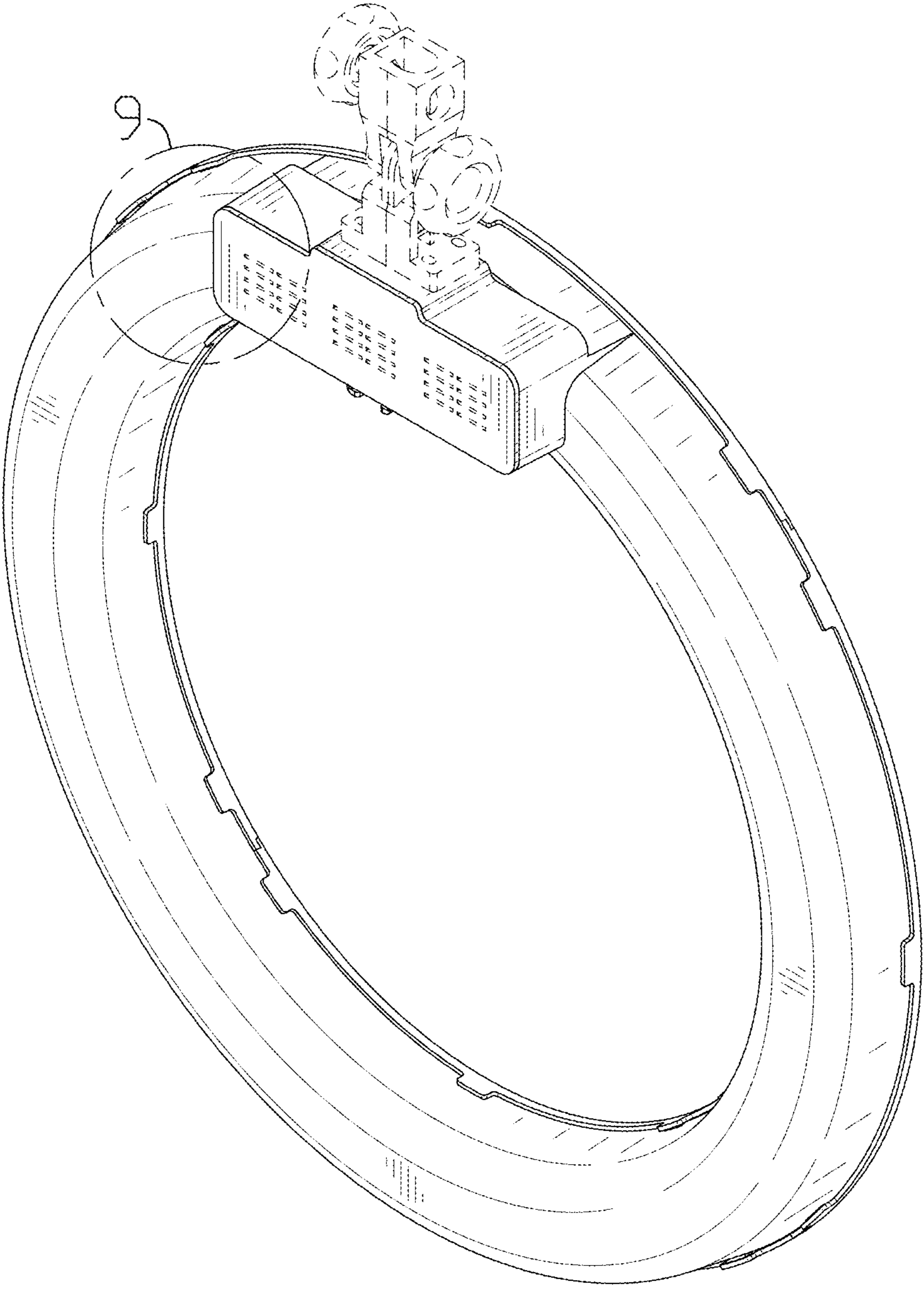


FIG. 2

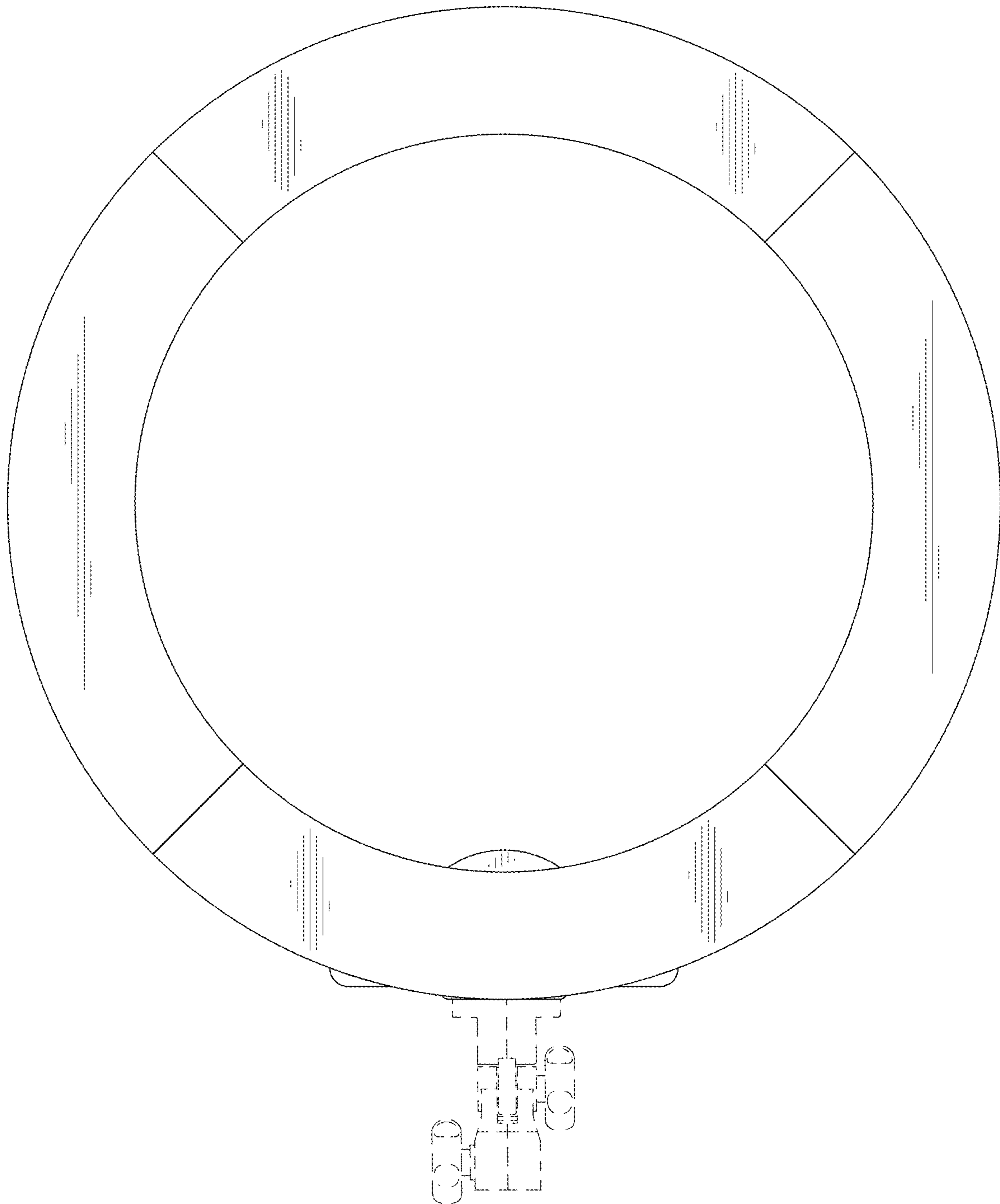


FIG. 3

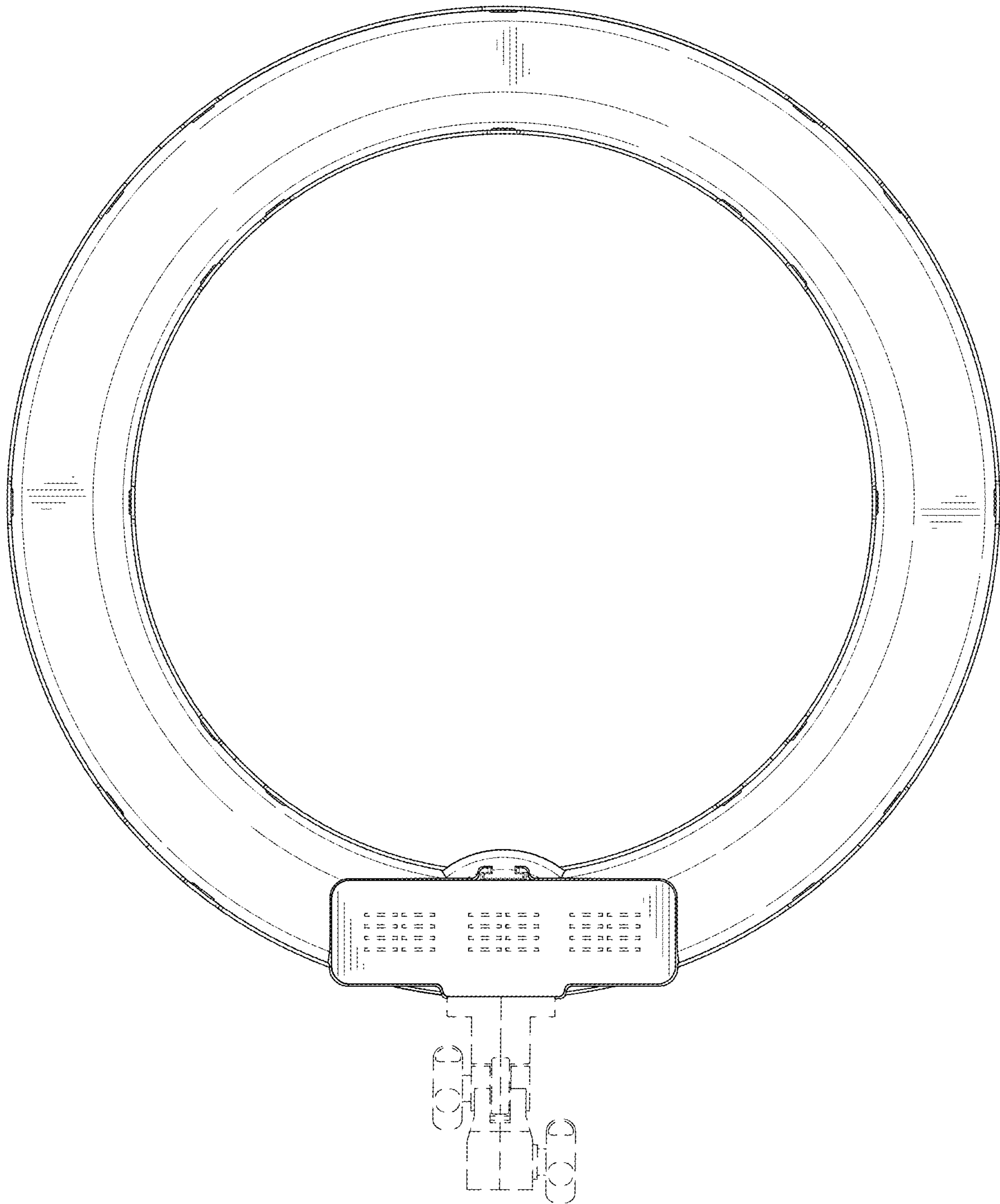


FIG. 4

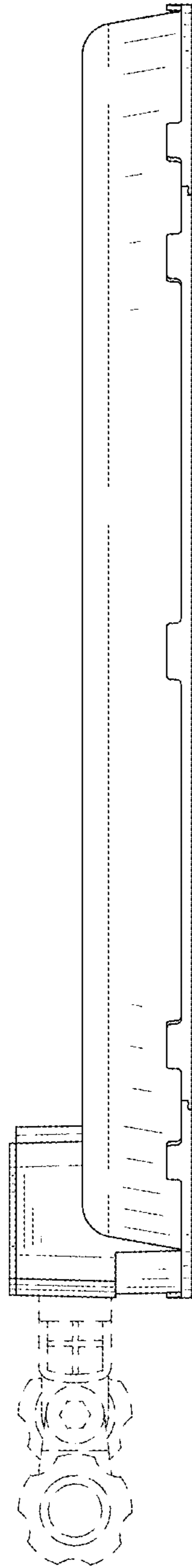


FIG. 5

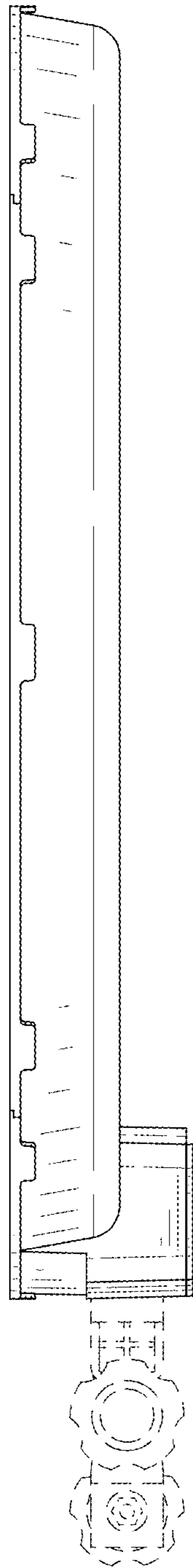


FIG. 6

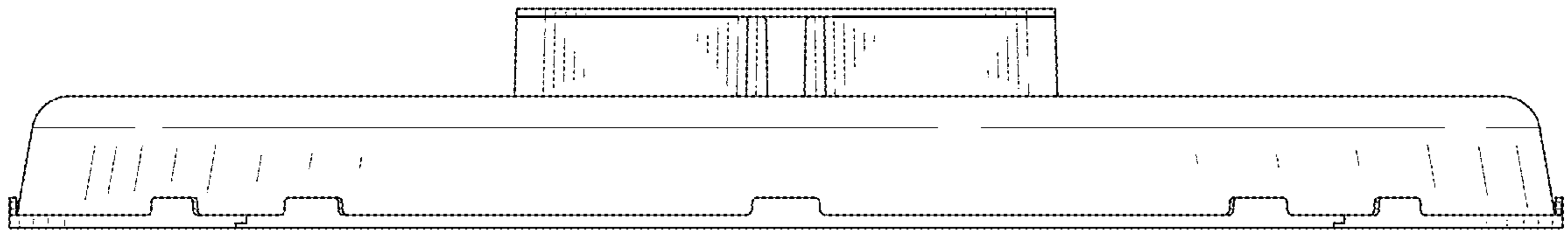


FIG. 7

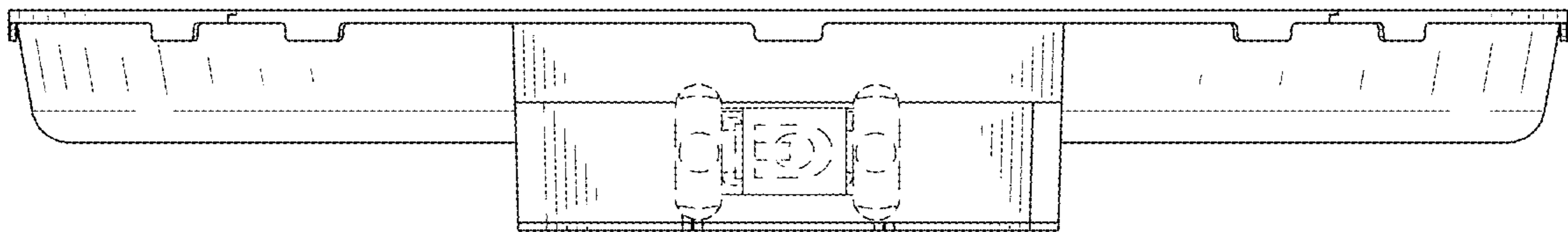


FIG. 8

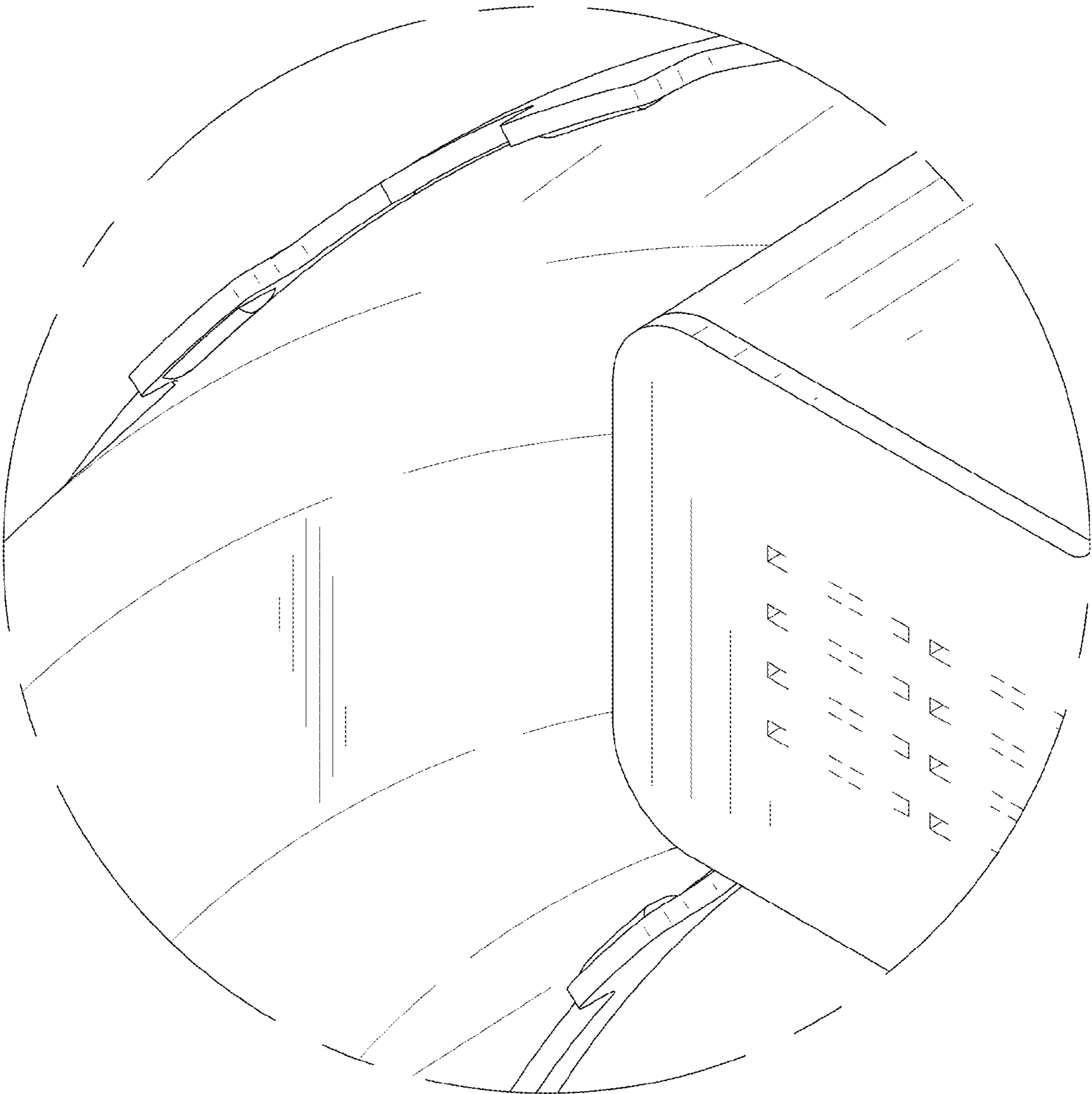


FIG. 9