



US00D887589S

(12) **United States Design Patent**  
**Chang et al.**

(10) **Patent No.:** **US D887,589 S**  
(45) **Date of Patent:** **\*\* Jun. 16, 2020**

(54) **LIGHT-EMITTING DIODE WITH REFLECTING LENS**  
(71) Applicant: **ADVANCED OPTOELECTRONIC TECHNOLOGY, INC.**, Hsinchu Hsien (TW)  
(72) Inventors: **Chao-Hsiung Chang**, Hsinchu (TW); **Lung-Hsin Chen**, Hsinchu (TW)  
(73) Assignee: **ADVANCED OPTOELECTRONIC TECHNOLOGY, INC.**, Hsinchu Hsien (TW)

(\*\*) Term: **15 Years**  
(21) Appl. No.: **29/653,168**  
(22) Filed: **Jun. 13, 2018**

(30) **Foreign Application Priority Data**  
Jun. 7, 2018 (CN) ..... 2018 3 0284168  
(51) **LOC (12) Cl.** ..... **26-01**  
(52) **U.S. Cl.**  
USPC ..... **D26/1**  
(58) **Field of Classification Search**  
USPC ..... D26/1, 24, 27, 63, 106, 120, 123  
CPC .... F21S 6/00; F21S 6/002; F21S 6/004; F21S 10/00; F21W 2121/00; F21W 2131/10; F21W 2131/30; F21W 2121/308; F21V 21/02; F21V 21/08; F21V 2200/00  
See application file for complete search history.

(56) **References Cited**  
**U.S. PATENT DOCUMENTS**  
D474,303 S \* 5/2003 Huang ..... D26/123  
D503,930 S \* 4/2005 Asakawa ..... D13/180

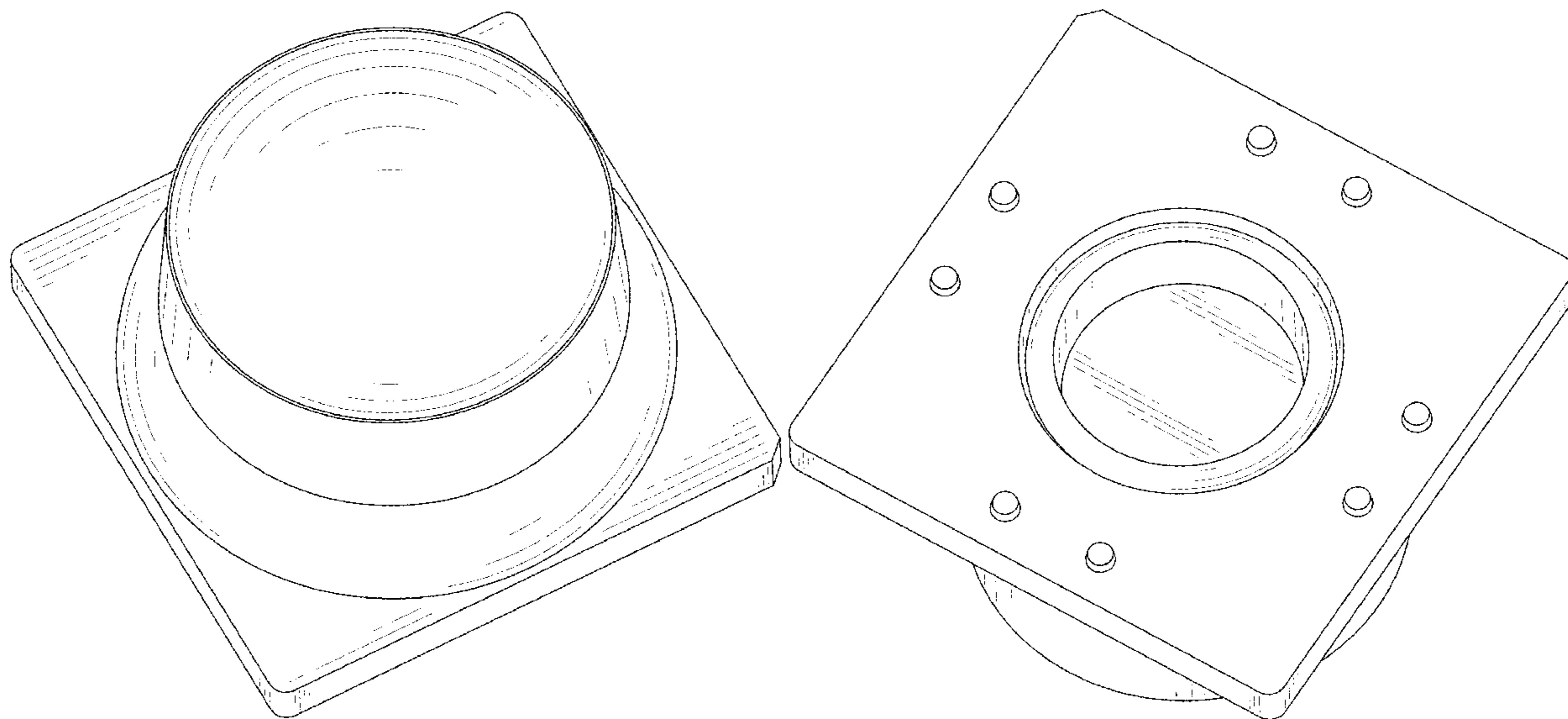
D528,672 S \* 9/2006 Nagai ..... D26/1  
D578,226 S \* 10/2008 West ..... D26/1  
D647,418 S \* 10/2011 Miller ..... D26/24  
D654,607 S \* 2/2012 Kim ..... D26/63  
D656,906 S \* 4/2012 Leung ..... D26/1  
D690,443 S \* 9/2013 Takehara ..... D26/1  
D727,558 S \* 4/2015 Tang ..... D26/120  
D728,129 S \* 4/2015 Kreuzbichler ..... D26/1  
D757,307 S \* 5/2016 Wallach ..... D26/24  
D775,398 S \* 12/2016 Warden ..... D26/106  
D866,010 S \* 11/2019 Niizeki ..... D26/1

\* cited by examiner  
*Primary Examiner* — Brian N. Vinson  
(74) *Attorney, Agent, or Firm* — ScienBiziP, P.C.

(57) **CLAIM**  
We claim the ornamental design for a light-emitting diode with reflecting lens, as shown and described.

**DESCRIPTION**  
FIG. 1 is a front perspective view of a light-emitting diode with reflecting lens, showing the claimed new design; FIG. 2 is a bottom perspective view of the light-emitting diode with reflecting lens shown in FIG. 1; FIG. 3 is a front elevation view of the light-emitting diode with reflecting lens shown in FIG. 1; FIG. 4 is a rear elevation view of the light-emitting diode with reflecting lens shown in FIG. 1; FIG. 5 is a left side elevation view of the light-emitting diode with reflecting lens shown in FIG. 1; FIG. 6 is a right side elevation view of the light-emitting diode with reflecting lens shown in FIG. 1; FIG. 7 is a top plan view of the light-emitting diode with reflecting lens shown in FIG. 1; and, FIG. 8 is a bottom plan view of the light-emitting diode with reflecting lens shown in FIG. 1.

**1 Claim, 8 Drawing Sheets**



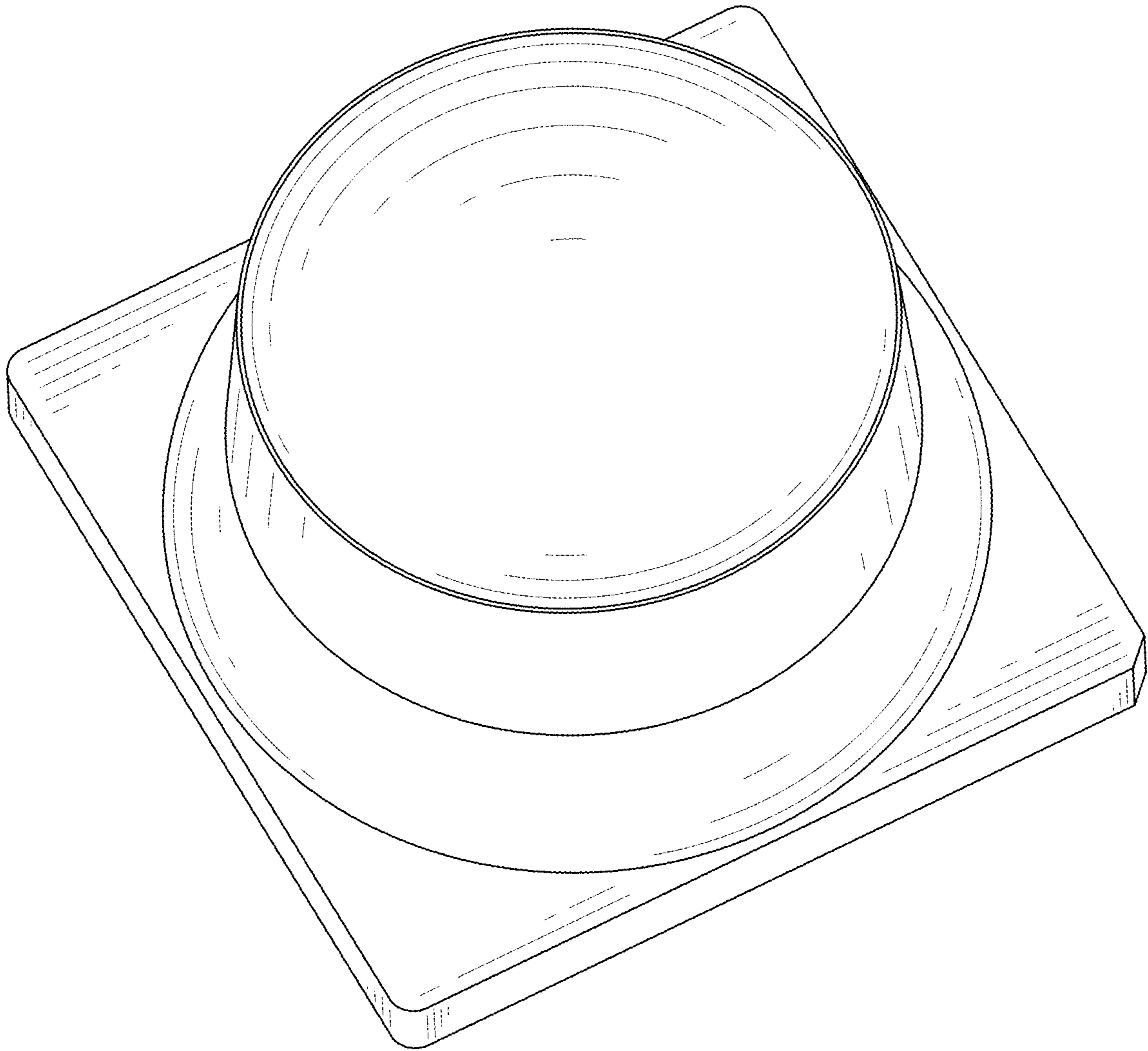


FIG. 1

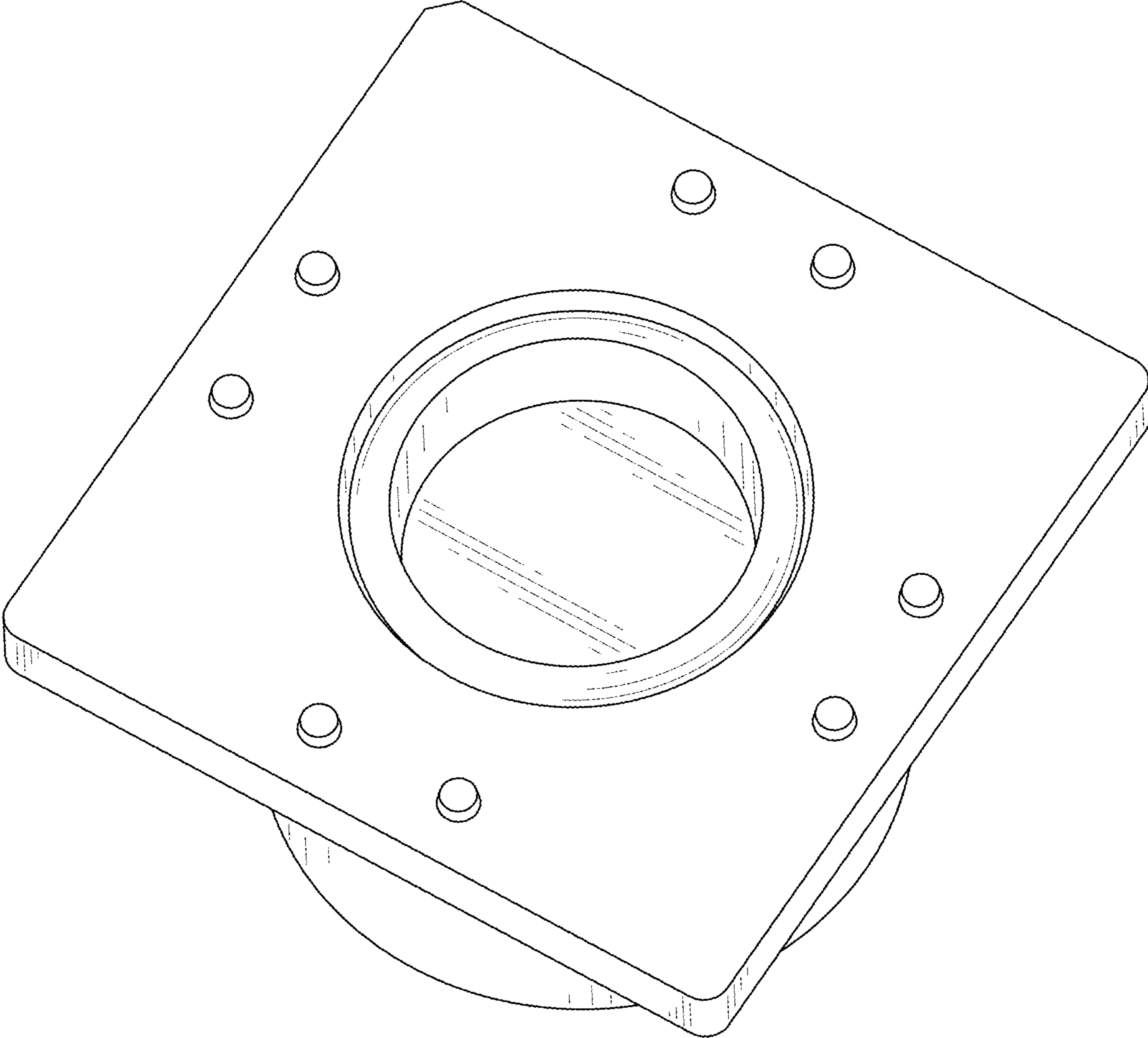


FIG. 2

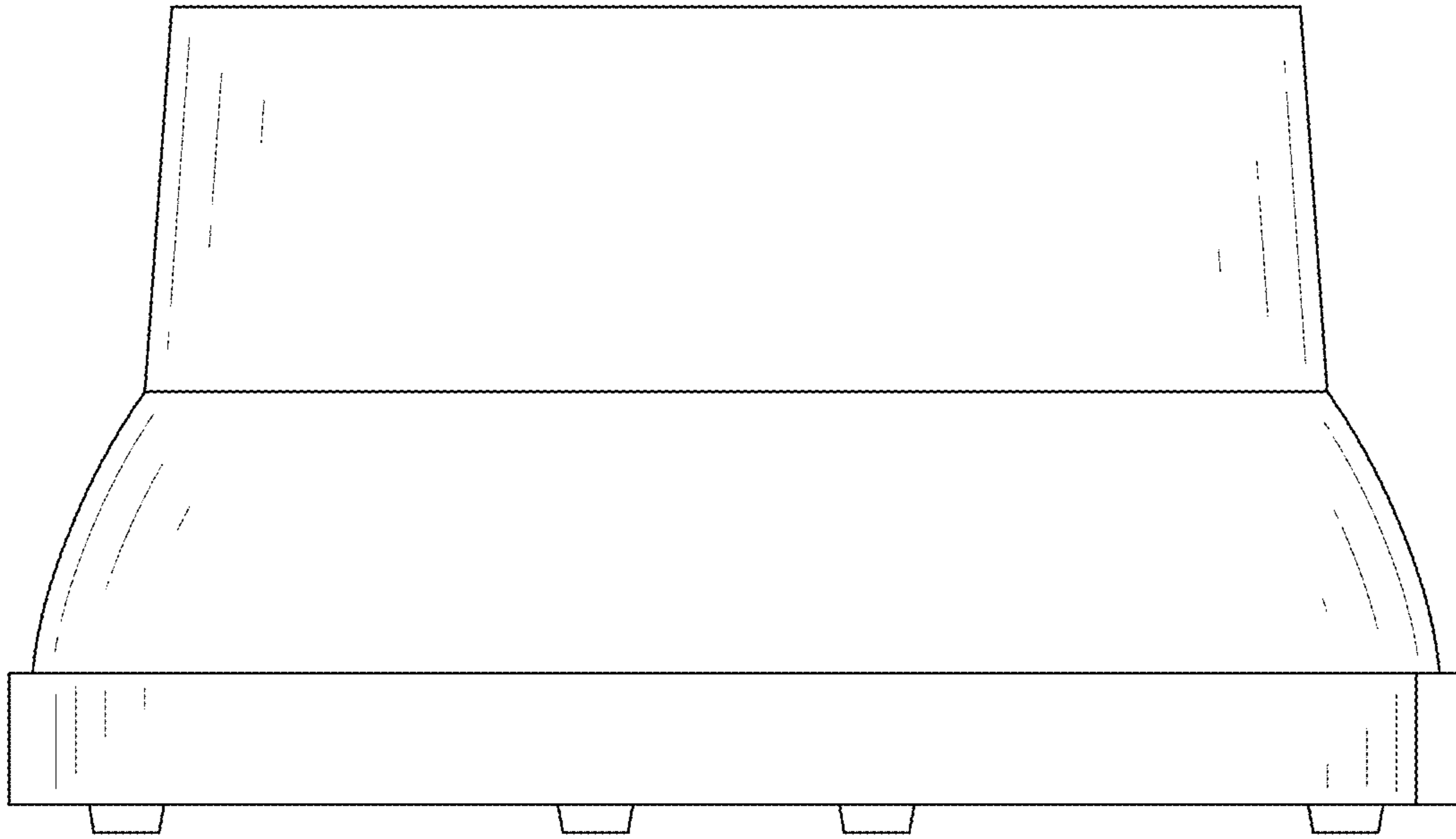


FIG. 3

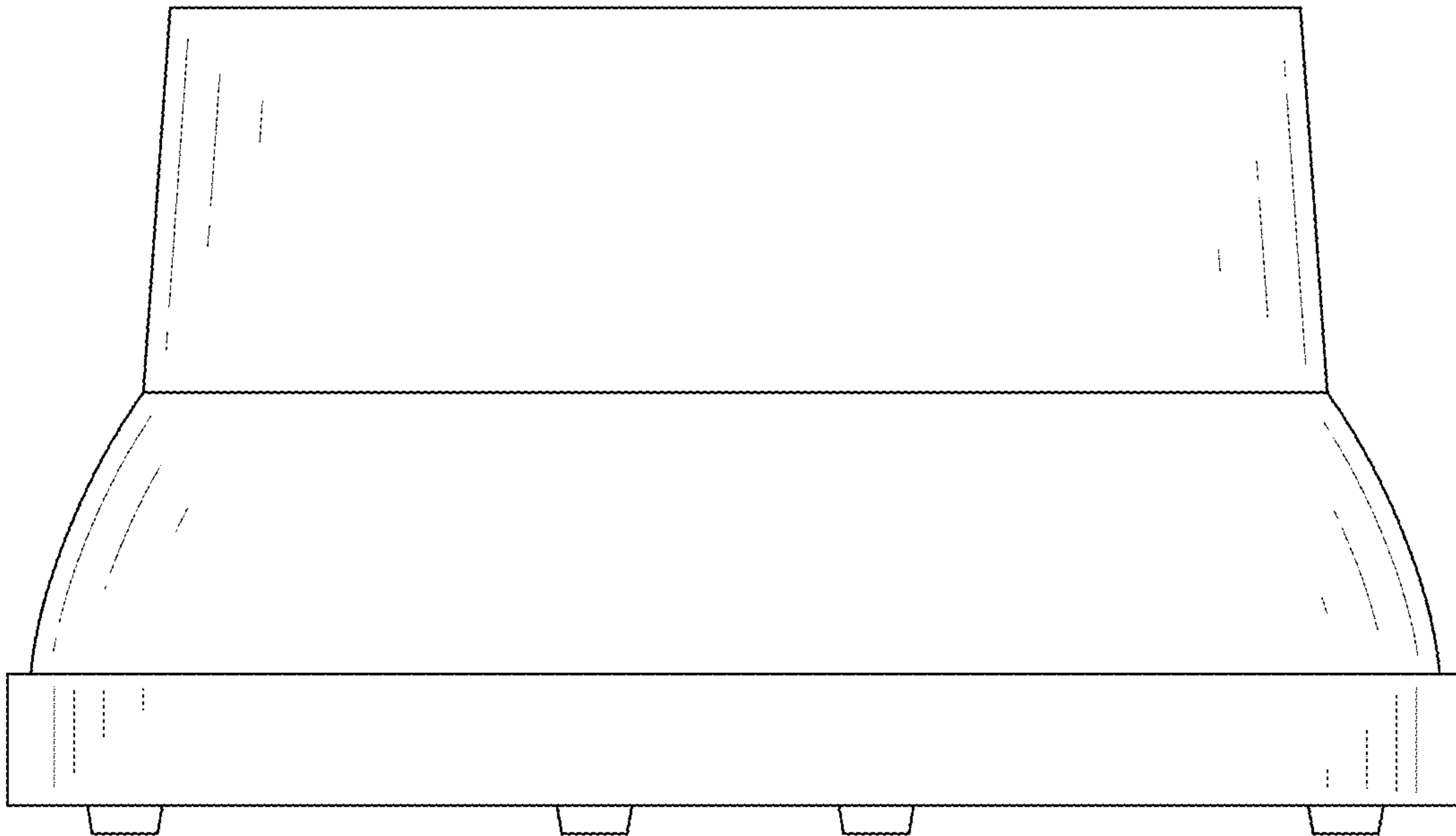


FIG. 4

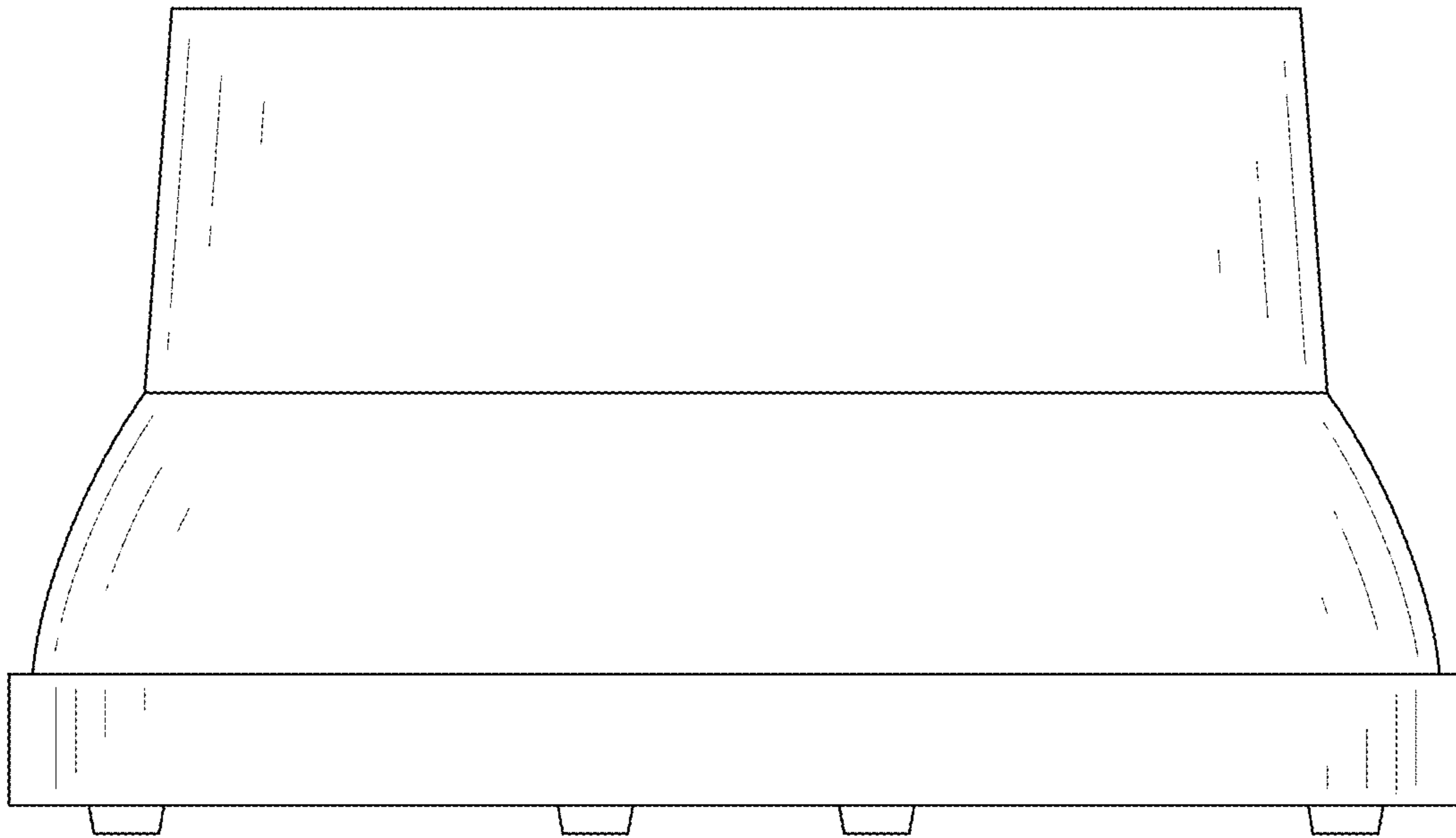


FIG. 5

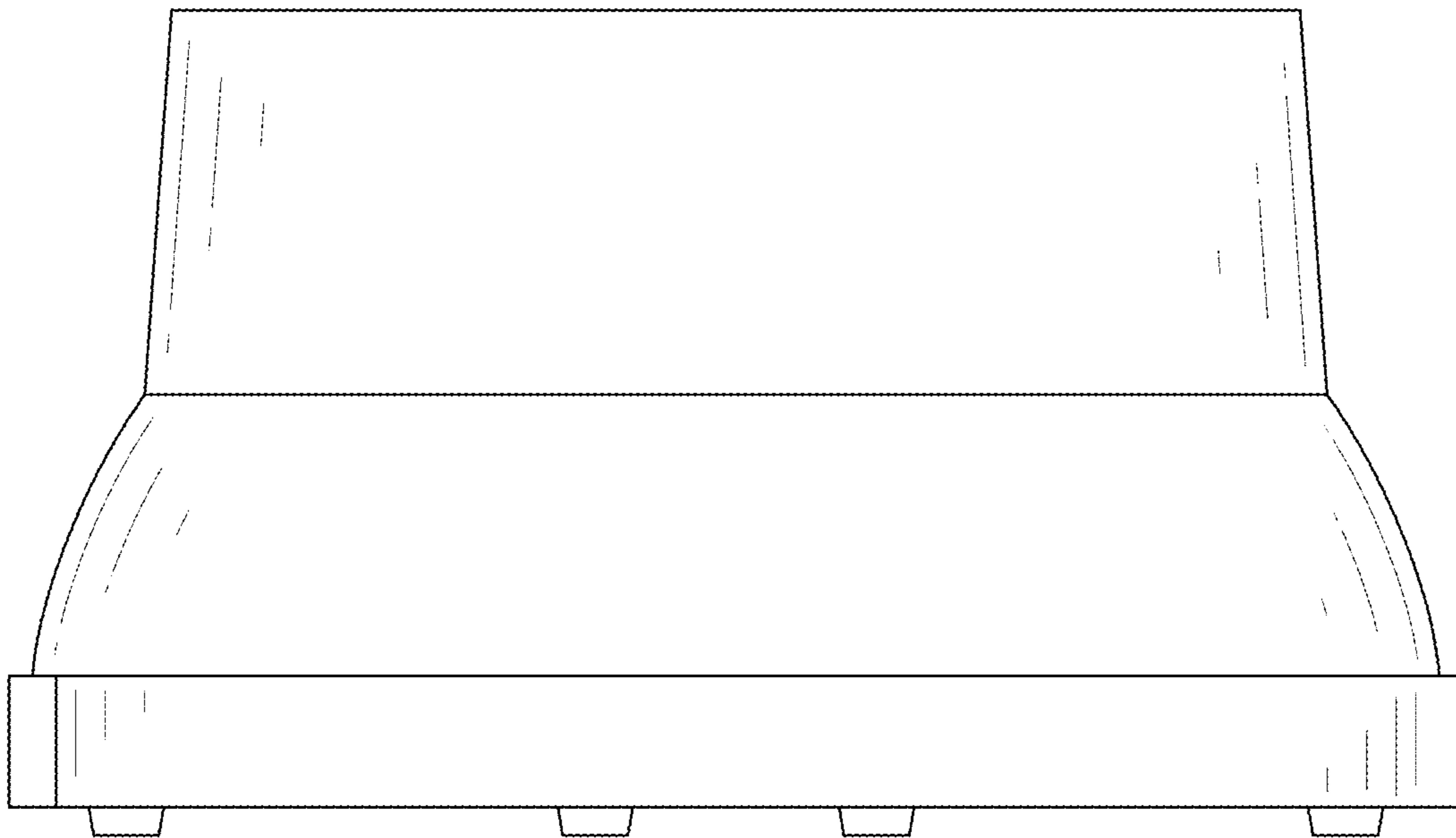


FIG. 6

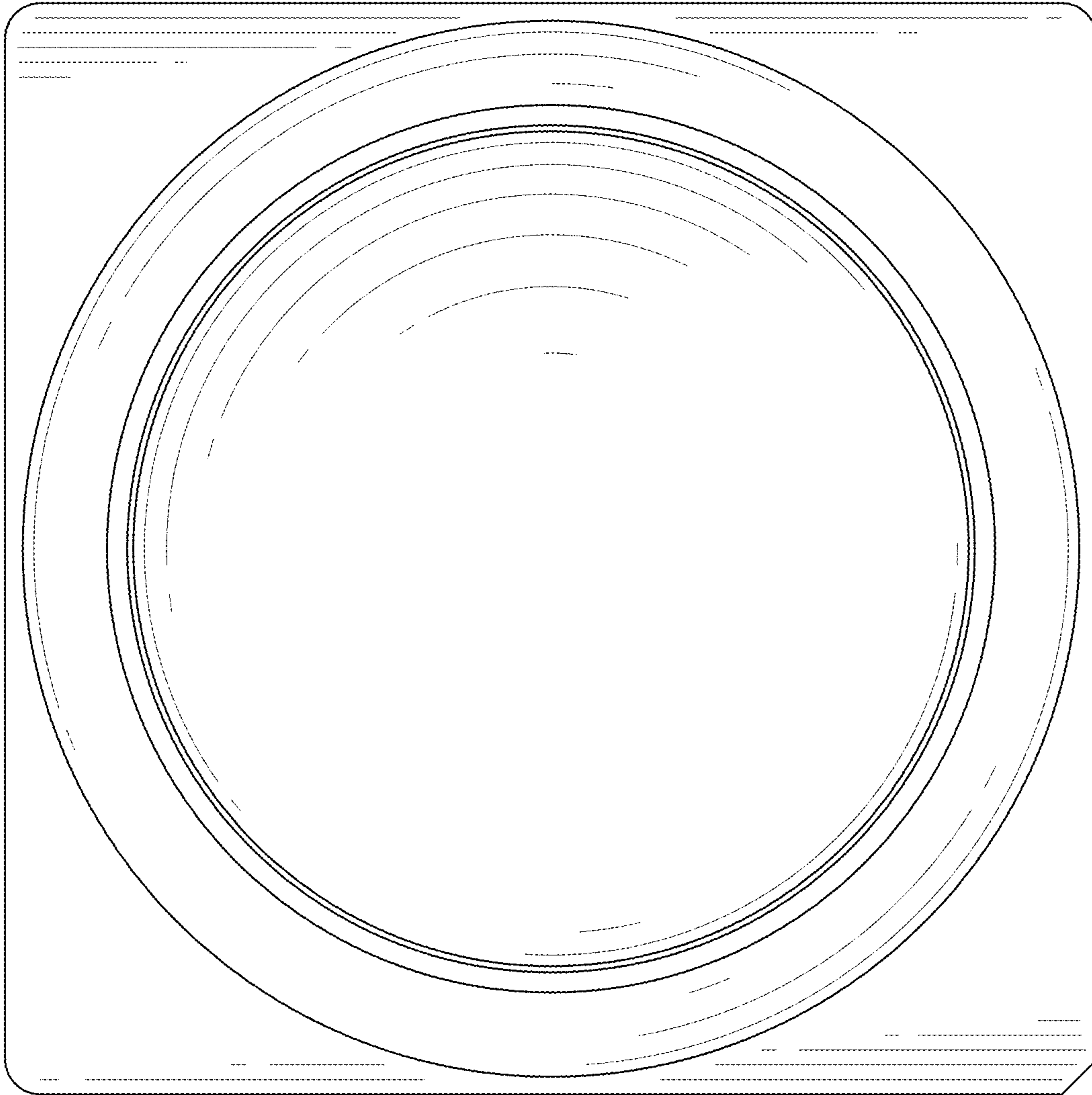


FIG. 7



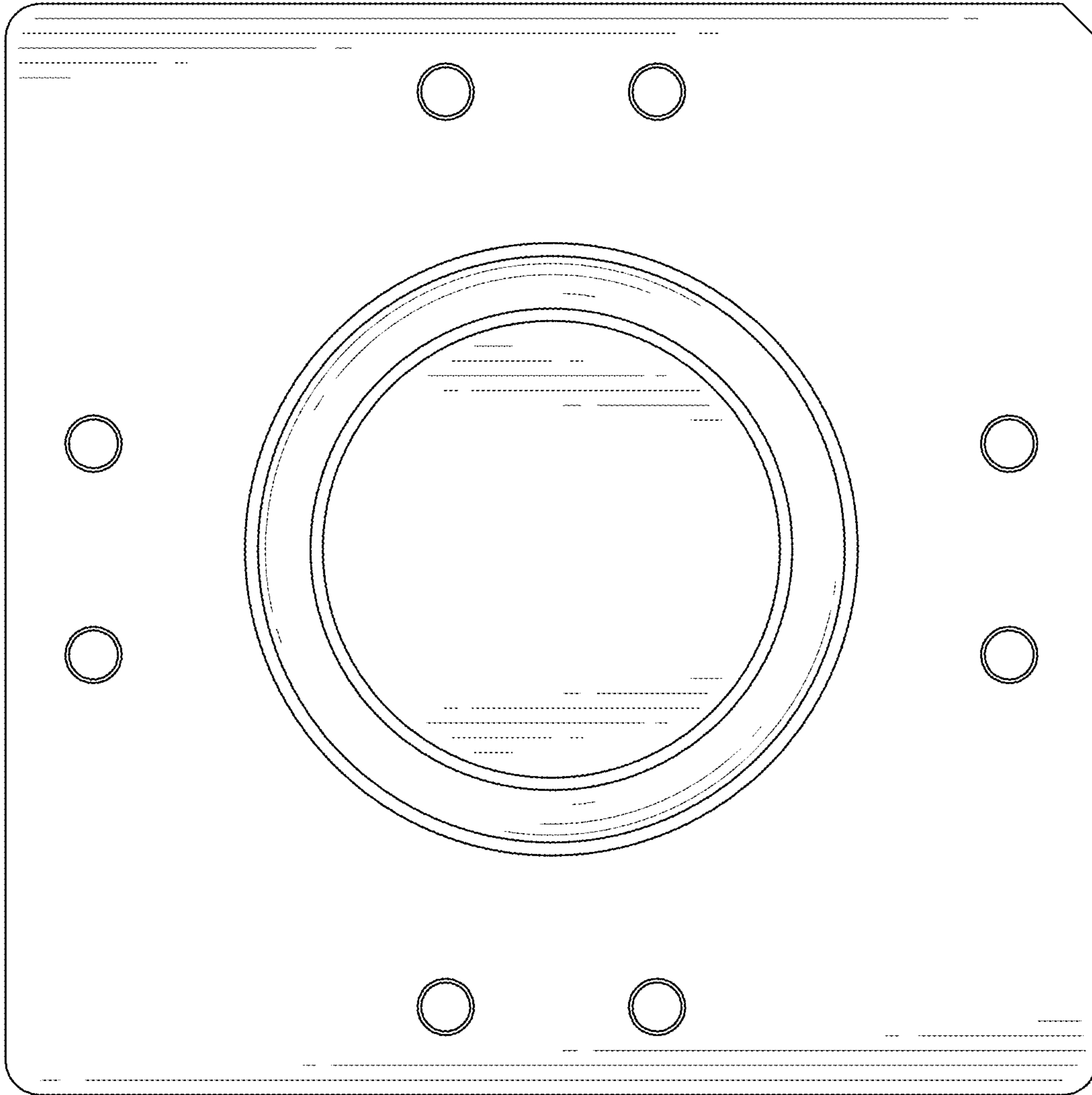


FIG. 8