



US00D887588S

(12) **United States Design Patent**
Chang et al.

(10) **Patent No.:** **US D887,588 S**
(45) **Date of Patent:** **** Jun. 16, 2020**

(54) **LIGHT-EMITTING DIODE WITH REFRACTING LENS**
(71) Applicant: **ADVANCED OPTOELECTRONIC TECHNOLOGY, INC.**, Hsinchu Hsien (TW)
(72) Inventors: **Chao-Hsiung Chang**, Hsinchu (TW); **Lung-Hsin Chen**, Hsinchu (TW)
(73) Assignee: **ADVANCED OPTOELECTRONIC TECHNOLOGY, INC.**, Hsinchu Hsien (TW)
(**) Term: **15 Years**

(21) Appl. No.: **29/653,167**
(22) Filed: **Jun. 13, 2018**
(30) **Foreign Application Priority Data**

Jun. 7, 2018 (CN) 2018 3 0285249
(51) **LOC (12) Cl.** **26-01**
(52) **U.S. Cl.**
USPC **D26/1**
(58) **Field of Classification Search**
USPC D26/1, 24, 27, 63, 106, 120, 123
CPC F21S 6/00; F21S 6/002; F21S 6/004; F21S 10/00; F21W 2121/00; F21W 2131/10; F21W 2131/30; F21W 2121/308; F21V 21/02; F21V 21/08; F21V 2200/00
See application file for complete search history.

(56) **References Cited**
U.S. PATENT DOCUMENTS
D474,303 S * 5/2003 Huang D26/123
D503,930 S * 4/2005 Asakawa D13/180

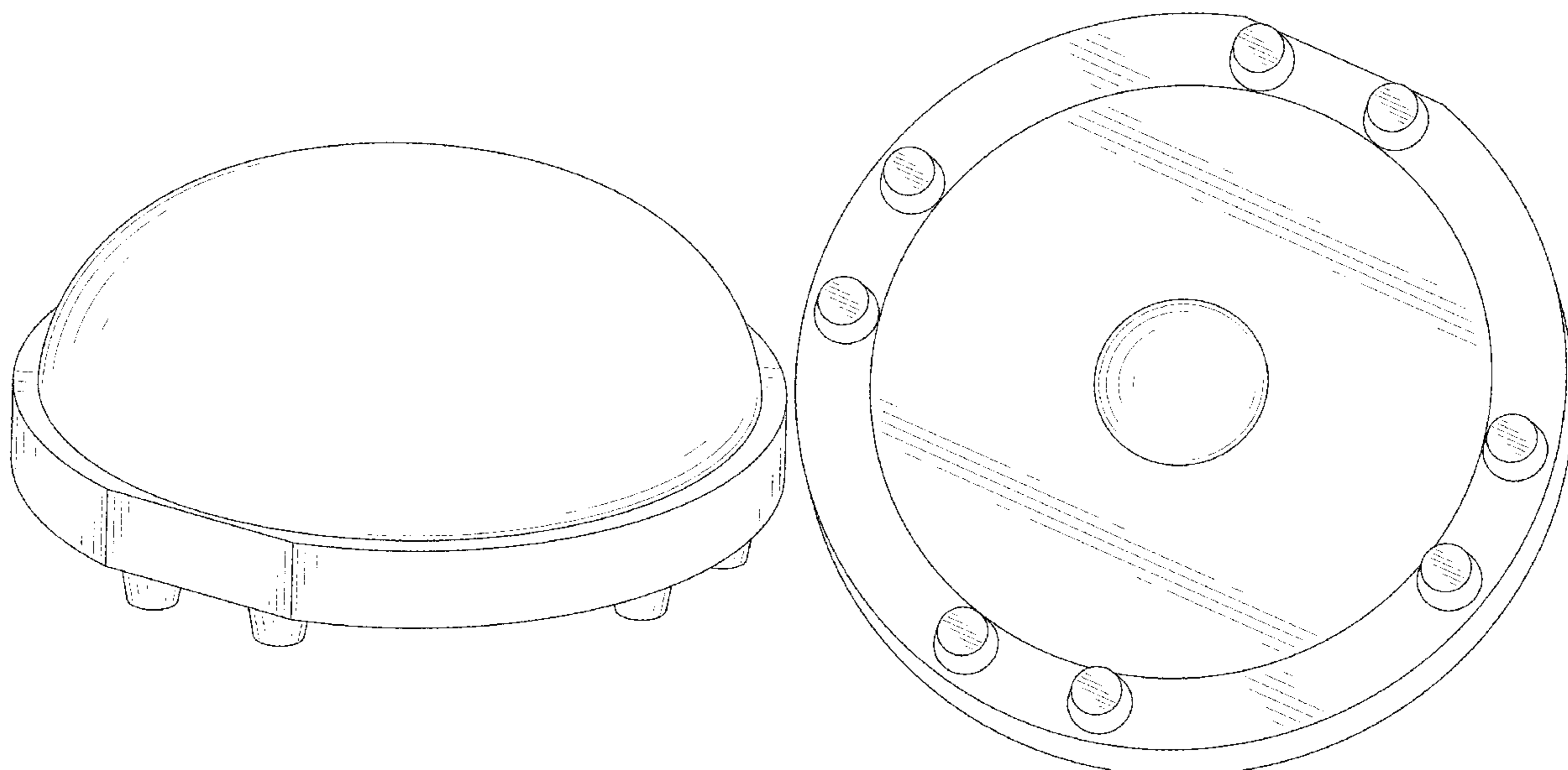
D528,672 S * 9/2006 Nagai D26/1
D578,226 S * 10/2008 West D26/1
D647,418 S * 10/2011 Miller D26/24
D654,607 S * 2/2012 Kim D26/63
D656,906 S * 4/2012 Leung D26/1
D690,443 S * 9/2013 Takehara D26/1
D727,558 S * 4/2015 Tang D26/120
D728,129 S * 4/2015 Kreuzbichler D26/1
D757,307 S * 5/2016 Wallach D26/24
D775,398 S * 12/2016 Warden D26/106
D866,010 S * 11/2019 Niizeki D26/1

* cited by examiner
Primary Examiner — Brian N. Vinson
(74) *Attorney, Agent, or Firm* — ScienBiziP, P.C.

(57) **CLAIM**
We claim the ornamental design for a light-emitting diode with refracting lens, as shown and described.

DESCRIPTION
FIG. 1 is a front perspective view of a light-emitting diode with refracting lens, showing the claimed new design; FIG. 2 is a bottom perspective view of the light-emitting diode with refracting lens shown in FIG. 1; FIG. 3 is a front elevation view of the light-emitting diode with refracting lens shown in FIG. 1; FIG. 4 is a rear elevation view of the light-emitting diode with refracting lens shown in FIG. 1; FIG. 5 is a left side elevation view of the light-emitting diode with refracting lens shown in FIG. 1; FIG. 6 is a right side elevation view of the light-emitting diode with refracting lens shown in FIG. 1; FIG. 7 is a top plan view of the light-emitting diode with refracting lens shown in FIG. 1; and, FIG. 8 is a bottom plan view of the light-emitting diode with refracting lens shown in FIG. 1.

1 Claim, 8 Drawing Sheets



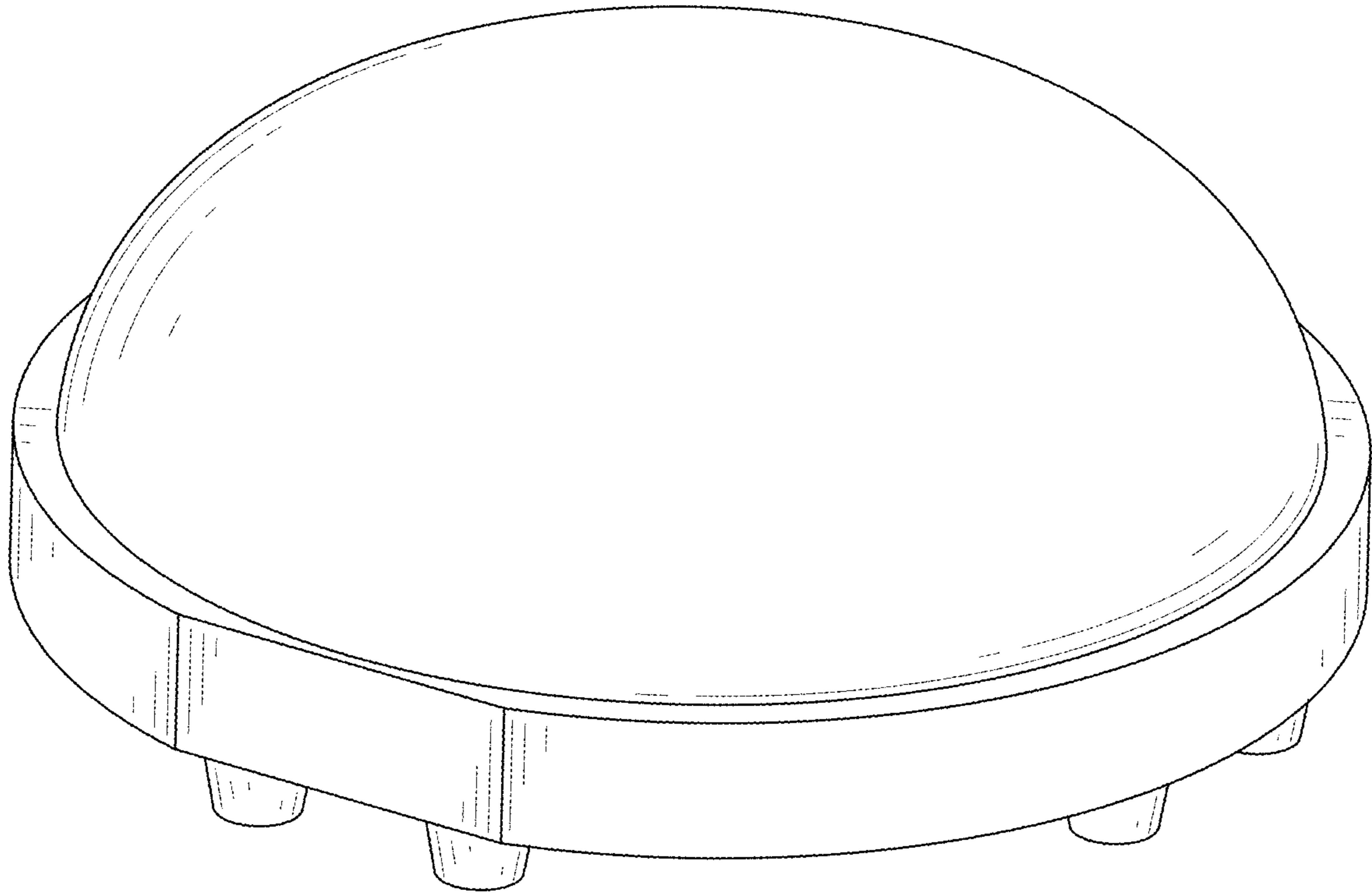


FIG. 1

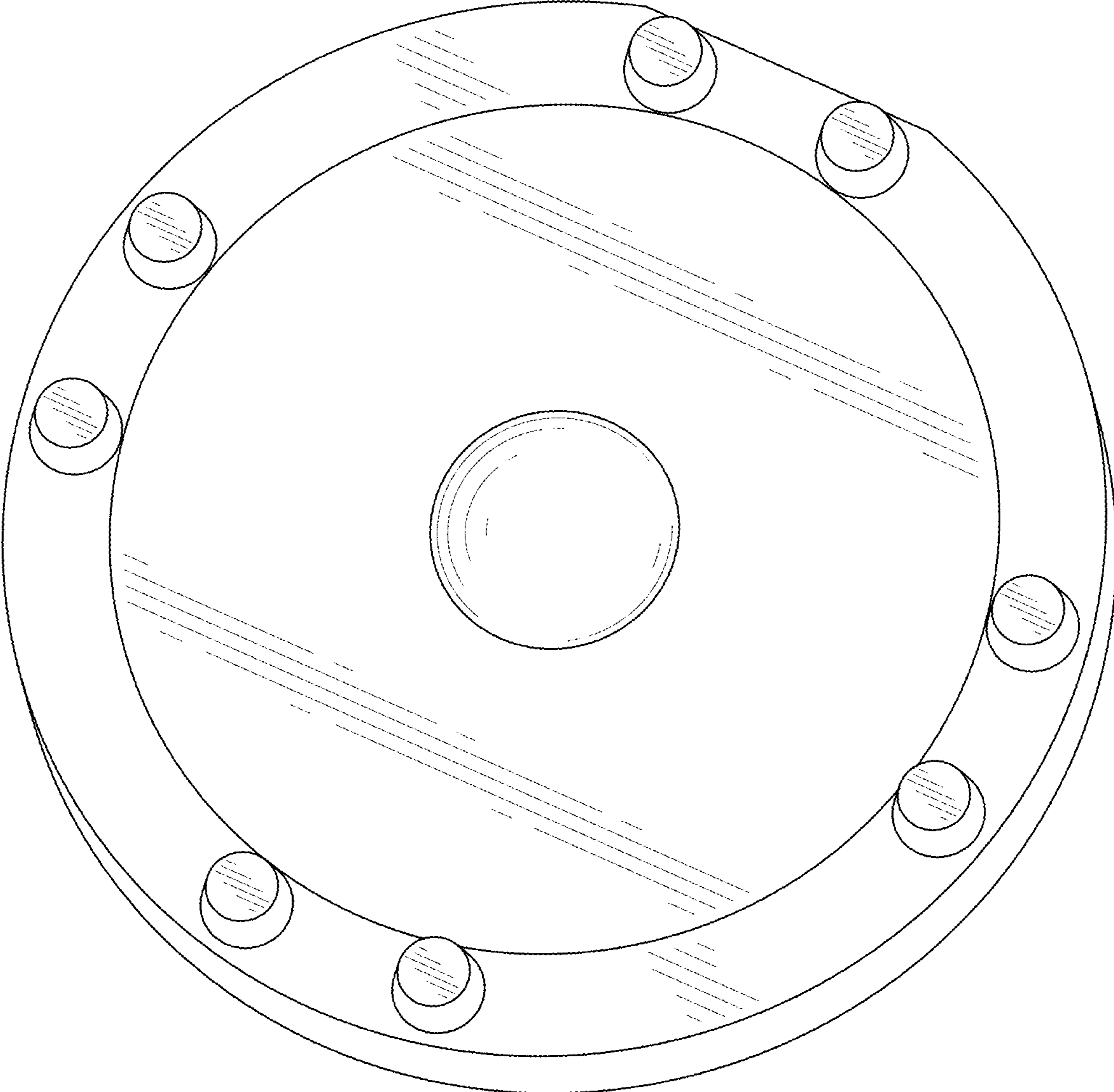


FIG. 2

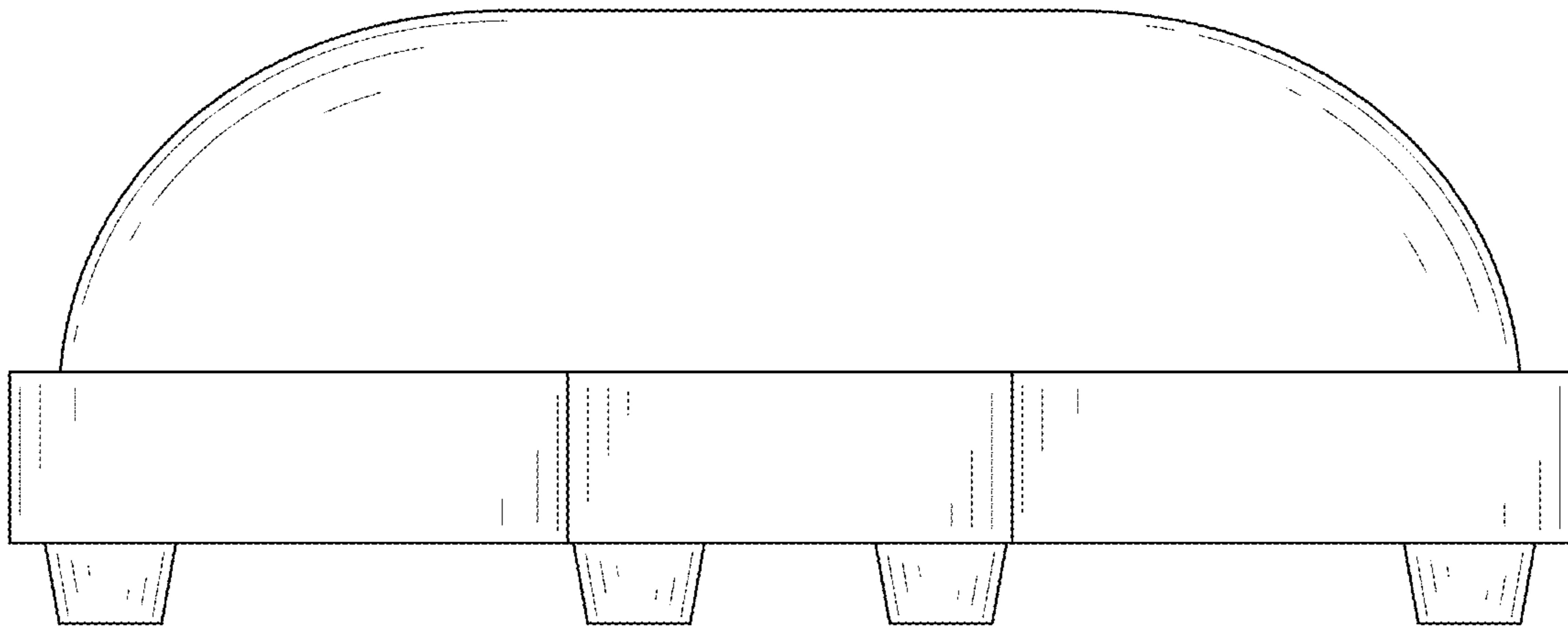


FIG. 3

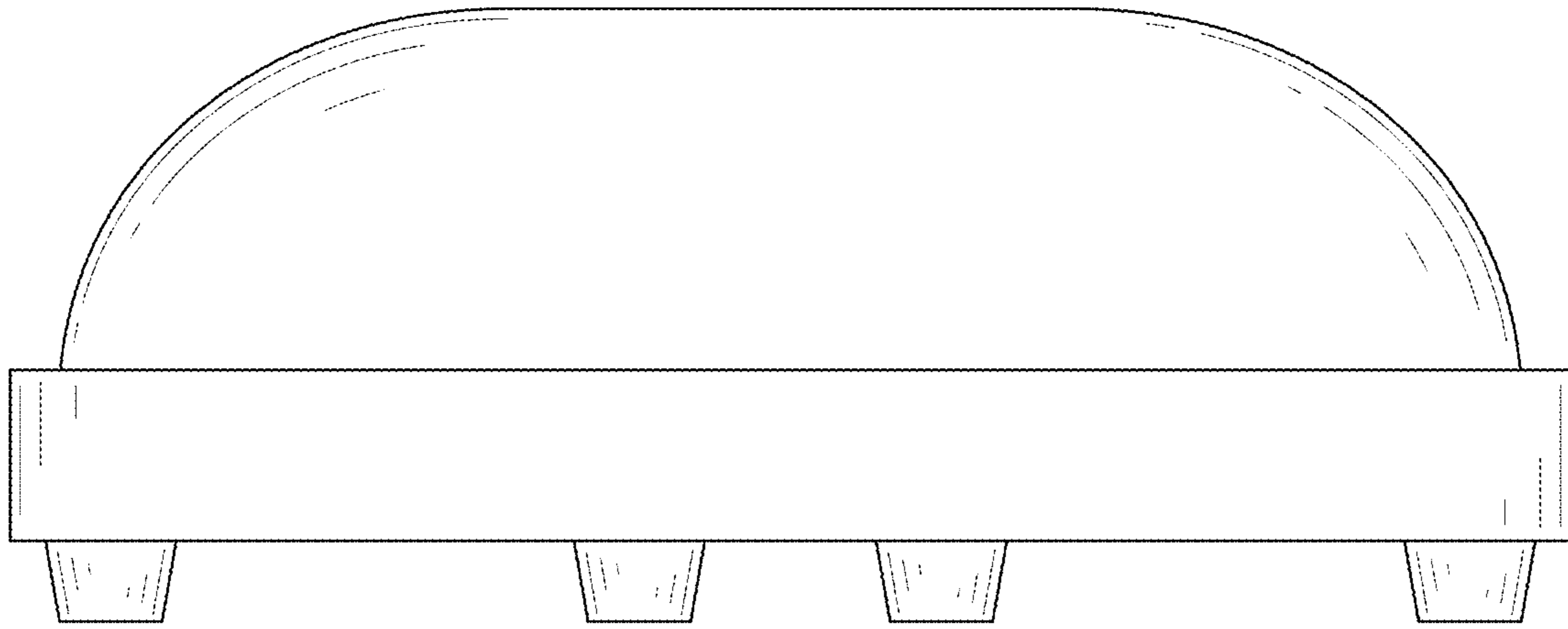


FIG. 4

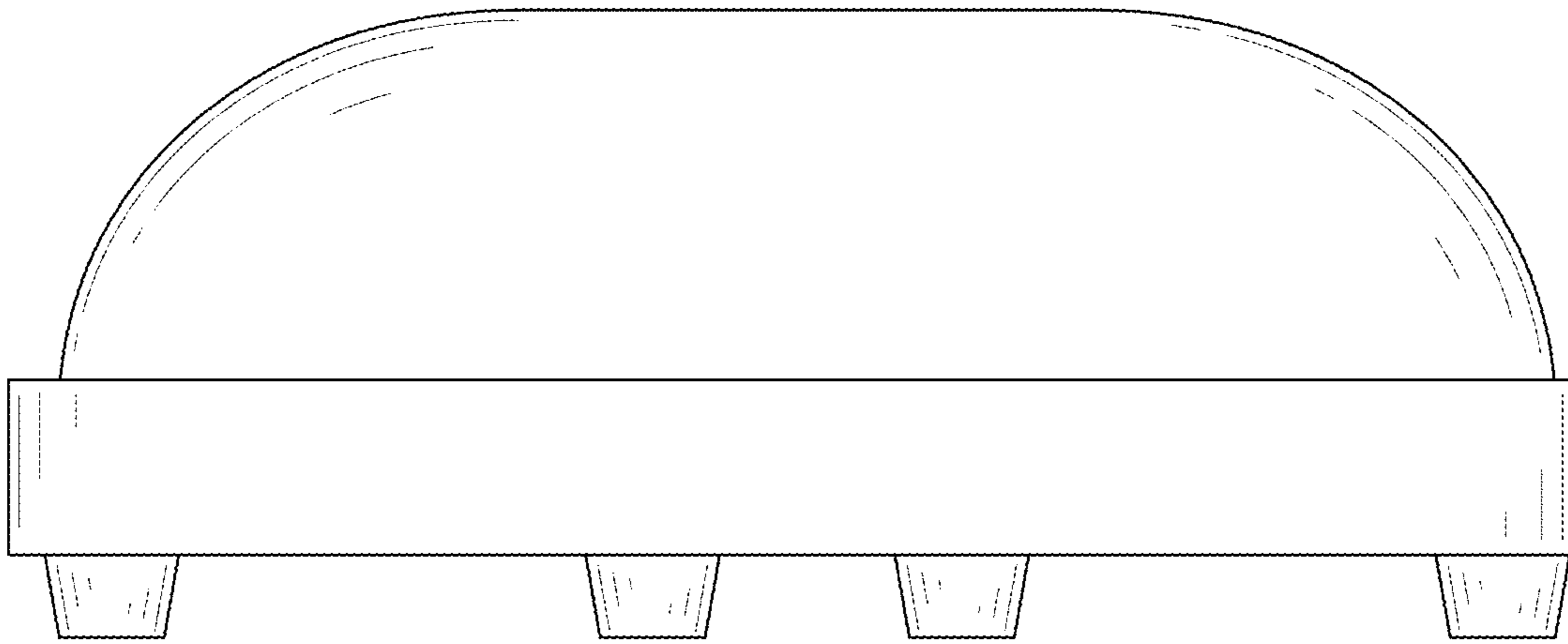


FIG. 5

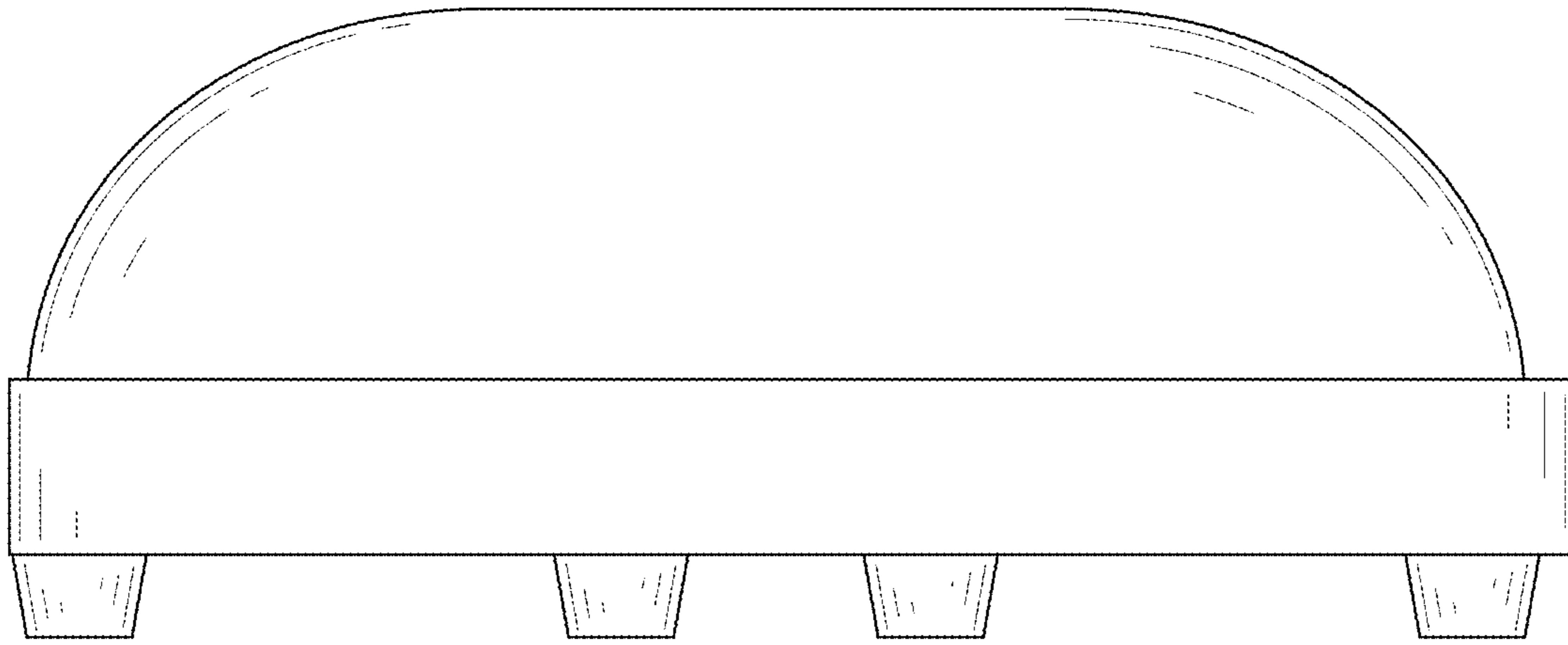


FIG. 6

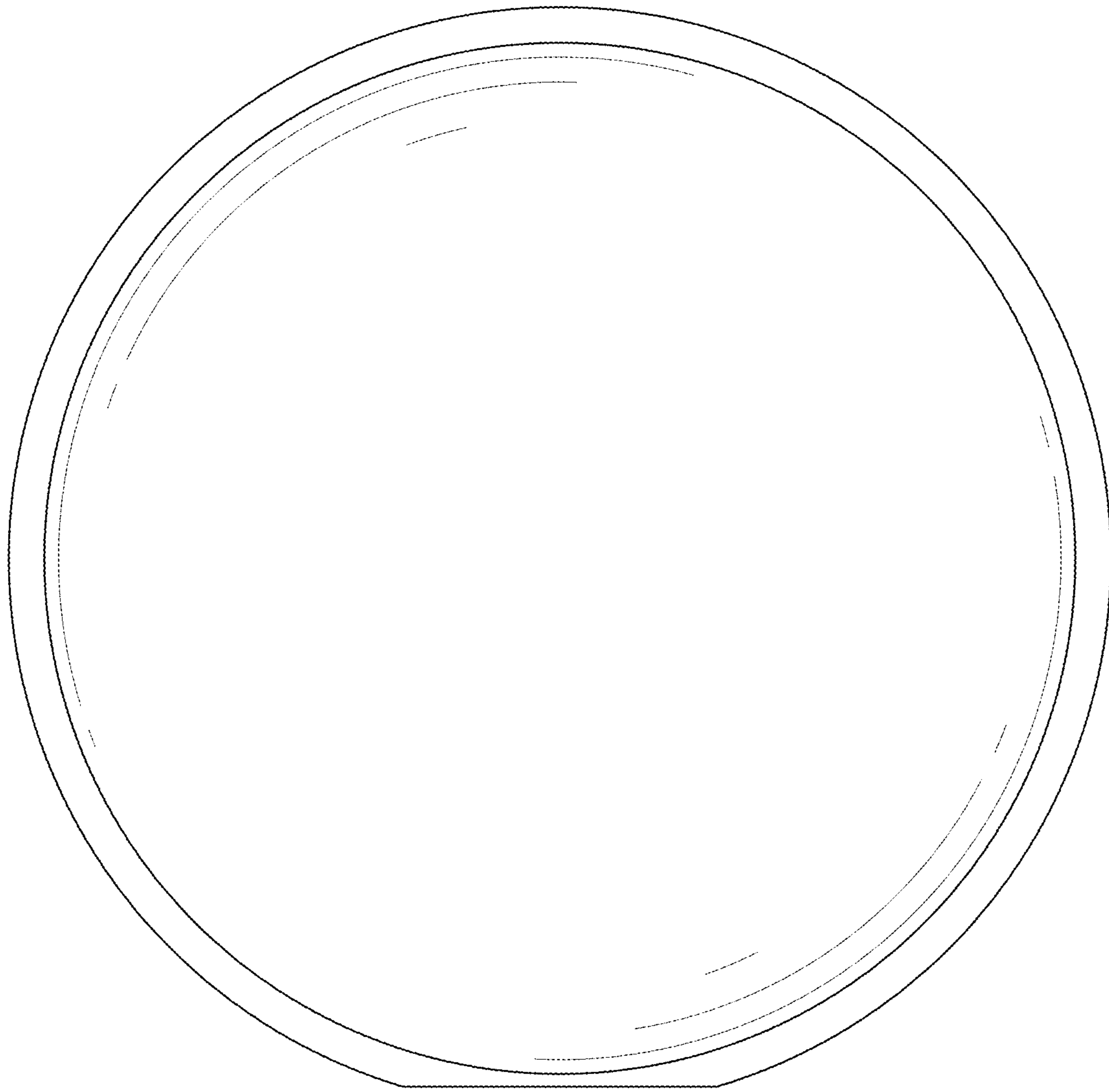


FIG. 7

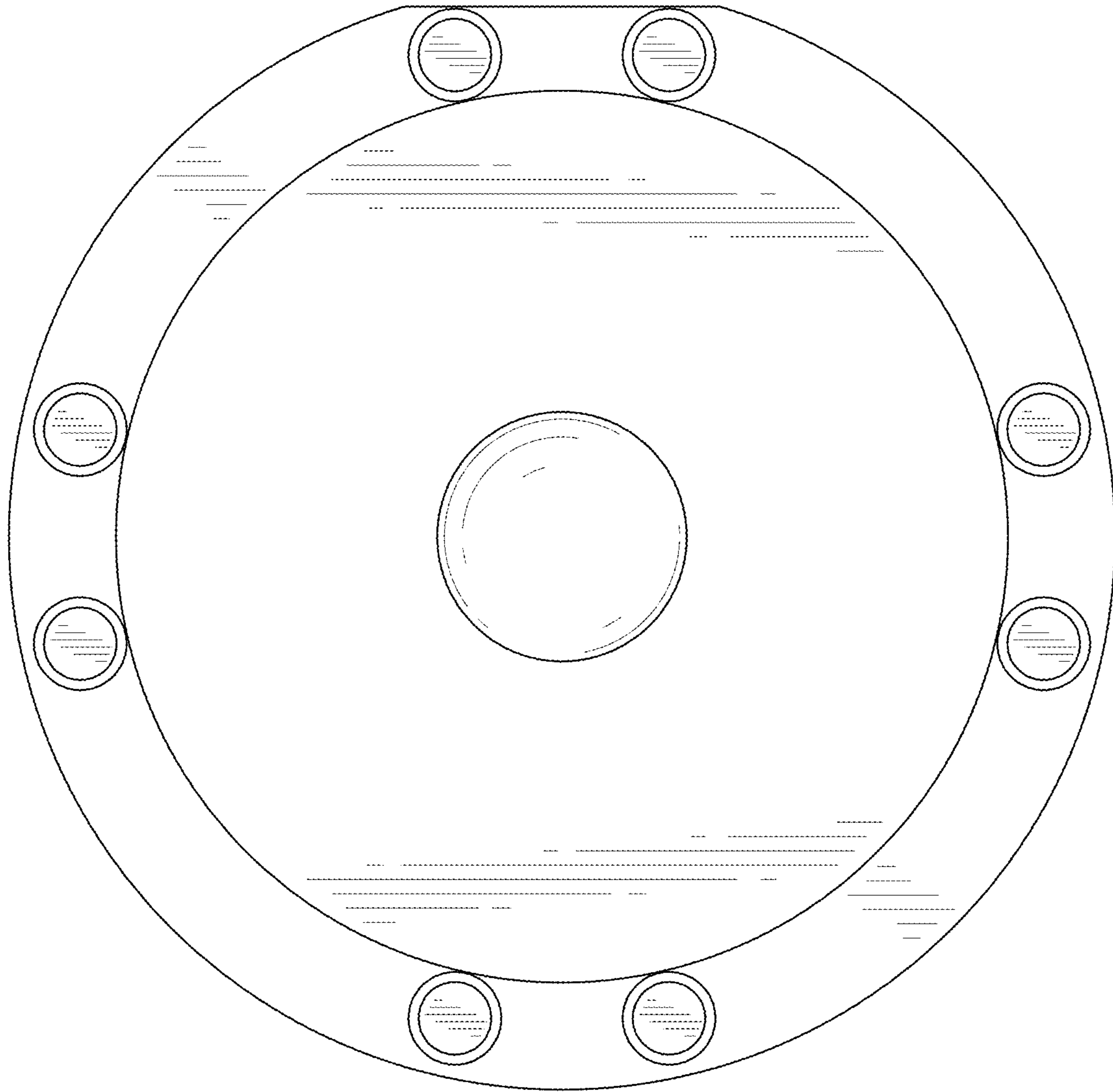


FIG. 8