



US00D887583S

(12) **United States Design Patent** (10) **Patent No.:** **US D887,583 S**
Jackson et al. (45) **Date of Patent:** **** Jun. 16, 2020**

(54) **CORNER TRIM**

(71) Applicant: **R. H. Tamlyn & Sons, LP**, Stafford, TX (US)

(72) Inventors: **Terrance Jackson**, Missouri City, TX (US); **Wayne Harold Braun**, Houston, TX (US)

(73) Assignee: **R. H. Tamlyn & Sons, LP**, Stafford, TX (US)

(**) Term: **15 Years**

(21) Appl. No.: **29/646,726**

(22) Filed: **May 7, 2018**

Related U.S. Application Data

(63) Continuation of application No. 29/583,910, filed on Nov. 9, 2016, now Pat. No. Des. 821,610.

(51) **LOC (12) Cl.** **25-01**

(52) **U.S. Cl.**
USPC **D25/119**

(58) **Field of Classification Search**
USPC ... D25/119-126, 131-137, 164, 199, 55, 58;
D8/354

(Continued)

(56) **References Cited**

U.S. PATENT DOCUMENTS

2,510,845 A 6/1950 Waters et al.
D175,481 S 8/1955 Slavsky

(Continued)

OTHER PUBLICATIONS

"U.S. Appl. No. 29/583,910, Corrected Notice of Allowance dated Mar. 30, 2018", 2 pgs.

(Continued)

Primary Examiner — Llorelys Martinez

(74) *Attorney, Agent, or Firm* — Schwegman Lundberg & Woessner, P.A.

(57) **CLAIM**

The ornamental design for a corner trim, as shown and described.

DESCRIPTION

FIG. 1 is a perspective view of a first embodiment of the corner trim, showing my new design.

FIG. 2 is a bottom view of the corner trim of FIG. 1.

FIG. 3 is a top view of the corner trim of FIG. 1.

FIG. 4 is a first side view of the corner trim of FIG. 1.

FIG. 5 is a second side view of the corner trim of FIG. 1.

FIG. 6 is a front view of the corner trim of FIG. 1.

FIG. 7 is a back view of the corner trim of FIG. 1.

FIG. 8 is a another perspective view of the corner trim of FIG. 1 in an installed configuration.

FIG. 9 is a perspective view of a second embodiment of a corner trim, showing my new design.

FIG. 10 is a bottom view of the corner trim of FIG. 9.

FIG. 11 is a top view of the corner trim of FIG. 9.

FIG. 12 is a first side view of the corner trim of FIG. 9.

FIG. 13 is a second side view of the corner trim of FIG. 9.

FIG. 14 is a front view of the corner trim of FIG. 9.

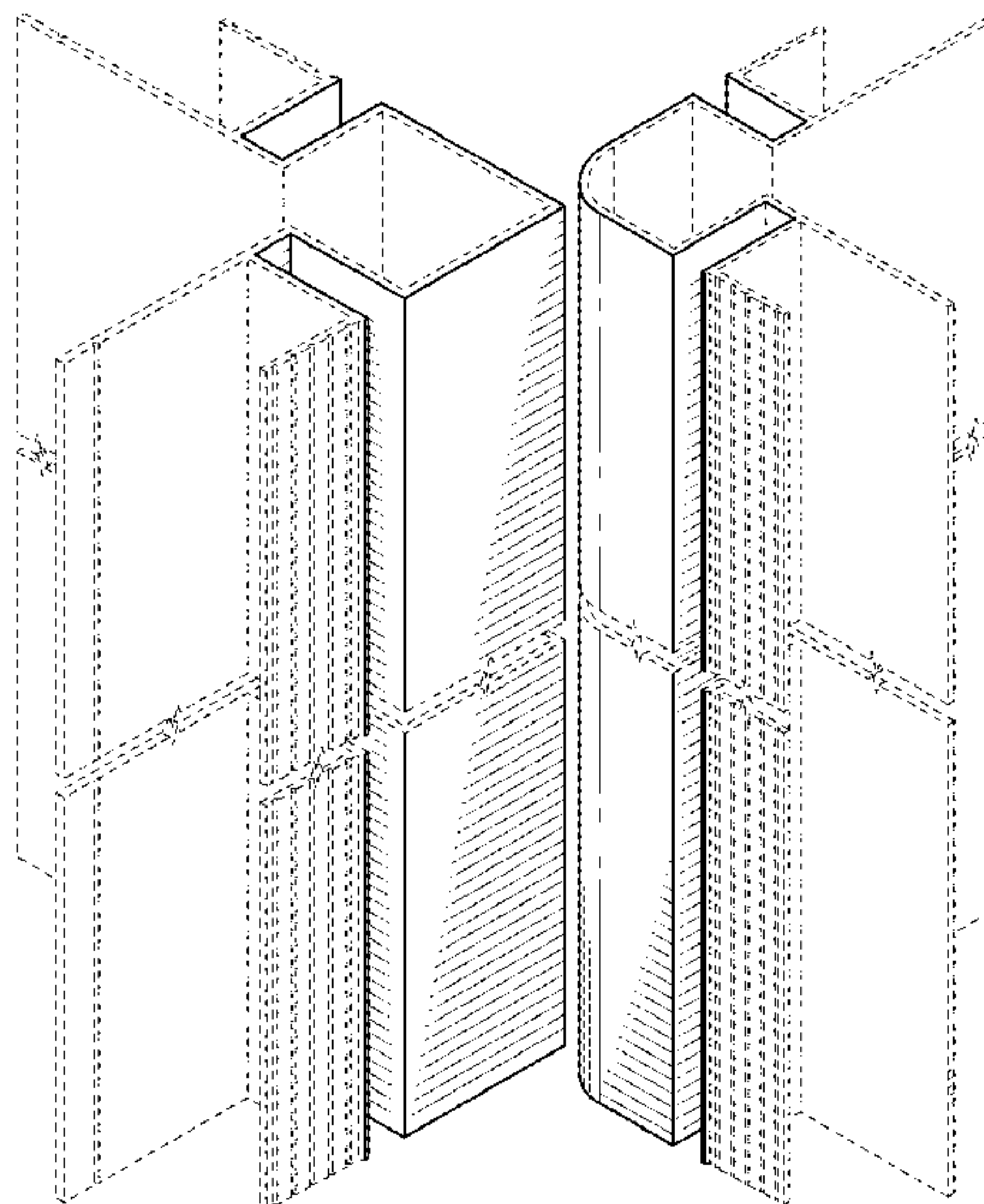
FIG. 15 is a back view of the corner trim of FIG. 9; and,

FIG. 16 is a another perspective view of the corner trim of FIG. 9 in an installed configuration.

The corner trim is shown with symbolic break lines along its length. The appearance of any portion of the corner trim between the symbolic break lines forms no part of the claimed design.

The broken lines immediately adjacent to the shaded areas in FIGS. 1-16 represent portions of the corner trim that form no part of the claimed design. The other broken lines in FIGS. 8 and 16 illustrate environmental structure only and form no part of the claimed design.

1 Claim, 14 Drawing Sheets



(58) **Field of Classification Search**

CPC E04F 19/02; E04F 19/022; E04F 19/06;
 E04F 19/061; E04F 19/062; E04F 19/063;
 E04F 19/064; E04F 13/21; E04F 13/22;
 E04F 13/24; E04F 13/25; E04F 13/26;
 E04F 13/28; E06B 1/02; E06B 1/04;
 E06B 1/045; E06B 1/12; E06B 1/14;
 E06B 1/2403; E06B 1/26; E06B 1/28;
 E06B 1/34; E06B 1/342; E06B 1/52;
 E06B 1/524; E06B 1/64; E06B 1/68

See application file for complete search history.

(56) **References Cited**

U.S. PATENT DOCUMENTS

2,765,886 A 10/1956 Tedaldi et al.
 D194,585 S 2/1963 Waring et al.
 D194,586 S 2/1963 Waring et al.
 3,078,971 A 2/1963 Wallerstein, Jr.
 3,144,265 A 8/1964 Edward
 D217,713 S 6/1970 Miller et al.
 D221,530 S 8/1971 Kimmel
 3,841,047 A 10/1974 Zinn
 D237,271 S 10/1975 Edward
 3,956,861 A 5/1976 Rasmussen
 RE29,412 E 9/1977 Zinn
 4,129,971 A 12/1978 Reusser
 D251,804 S 5/1979 Balkany et al.
 D252,471 S 7/1979 Broadbent
 D258,090 S 1/1981 Vihma
 D258,616 S 3/1981 Dallaire
 D260,039 S 7/1981 De Ruiter
 4,283,892 A 8/1981 Brown
 D263,759 S 4/1982 Dallaire
 D265,035 S 6/1982 Fether et al.
 D270,187 S 8/1983 Whitehouse et al.
 D270,479 S 9/1983 Braswell
 4,638,606 A 1/1987 Wendt
 D288,881 S 3/1987 Cowdroy
 5,146,723 A 9/1992 Greenwood et al.
 5,170,597 A 12/1992 Stearns
 D408,087 S 4/1999 Hart
 D427,327 S 6/2000 Bevan et al.
 D427,694 S 7/2000 Bevan
 D452,335 S 12/2001 Brown
 D452,744 S 1/2002 Brown
 6,341,458 B1 1/2002 Burt
 6,606,828 B1 8/2003 Lin et al.
 D491,677 S 6/2004 Barnett
 D494,283 S 8/2004 Barnett
 D525,371 S 7/2006 Levi-senigaglia
 D525,372 S 7/2006 Levi-senigaglia
 D553,761 S 10/2007 Antonic

D561,353 S 2/2008 Antonic
 D561,354 S 2/2008 Antonic
 D573,267 S 7/2008 Brinton et al.
 D573,268 S 7/2008 Lundsgaard et al.
 D587,421 S 2/2009 Liao
 D606,671 S 12/2009 Southwell
 D616,566 S 5/2010 Desrosiers
 D630,340 S 1/2011 Southwell
 D662,405 S 6/2012 Zhang et al.
 D689,199 S 9/2013 Elizarraras et al.
 8,763,331 B2 7/2014 LeBlang
 D750,807 S 3/2016 Singh
 D774,874 S 12/2016 Wentzel et al.
 D791,352 S 7/2017 Singh
 D791,356 S 7/2017 Singh
 D791,976 S 7/2017 Singh
 D798,471 S 9/2017 Tremaine et al.
 D799,068 S 10/2017 Gya
 D800,923 S 10/2017 Gonzales
 D800,924 S 10/2017 Preston
 D821,610 S 6/2018 Jackson et al.
 D822,852 S * 7/2018 Jackson D25/119
 D828,582 S * 9/2018 Jackson D25/119
 D834,727 S * 11/2018 Jackson D25/119
 D834,728 S * 11/2018 Jackson D25/119
 D835,299 S * 12/2018 Jackson D25/119
 D847,380 S * 4/2019 Singh D25/119
 D853,587 S * 7/2019 Jackson D25/119
 D853,588 S * 7/2019 Jackson D25/119
 D853,589 S * 7/2019 Jackson D25/119
 2005/0183352 A1 8/2005 Koenig, Jr. et al.
 2007/0130856 A1 6/2007 Surowiecki et al.
 2019/0112818 A1* 4/2019 Woo E04F 13/06

OTHER PUBLICATIONS

“U.S. Appl. No. 29/583,910, Notice of Allowance dated Feb. 5, 2018”, 11 pgs.
 “U.S. Appl. No. 29/583,910, Response filed Dec. 6, 2017 to Restriction Requirement dated Aug. 31, 2017”, 4 pgs.
 “U.S. Appl. No. 29/583,910, Restriction Requirement dated Aug. 31, 2017”, 5 pgs.
 “Canadian Application Serial No. 174,725, Office Action dated Nov. 24, 2017”, 3 pgs.
 “Canadian Application Serial No. 174,725, Response filed Feb. 19, 2018 to Office Action dated Nov. 24, 2017”, 33 pgs.
 “U.S. Appl. No. 29/583,910, Corrected Notice of Allowance dated May 25, 2018”, 2 pgs.
 “Canadian Application Serial No. 174,725, Office Action dated Mar. 9, 2018”, 1 pg.
 “Canadian Application Serial No. 174,725, Response filed Dec. 10, 2018 to Office Action dated Mar. 9, 2018”, 27 pgs.

* cited by examiner

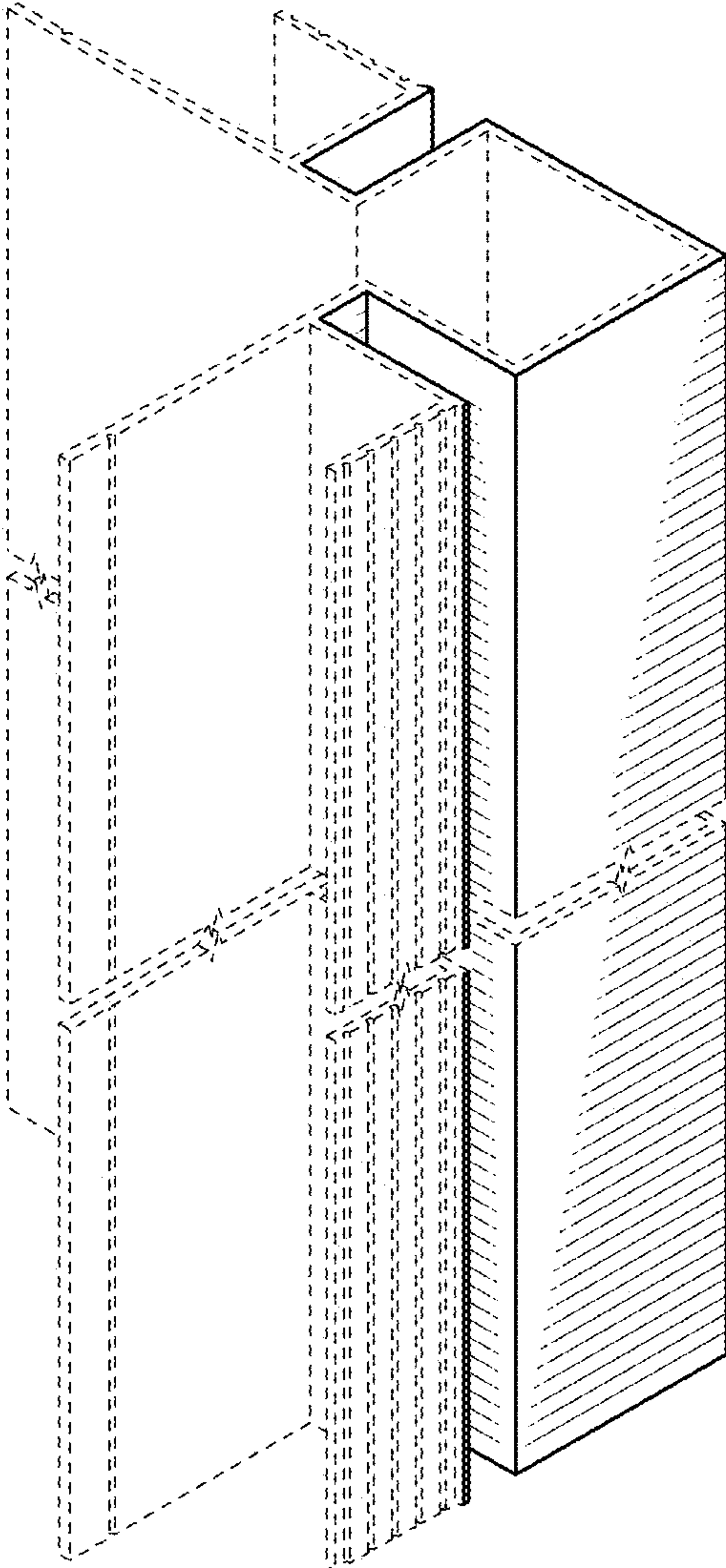


FIG. 1

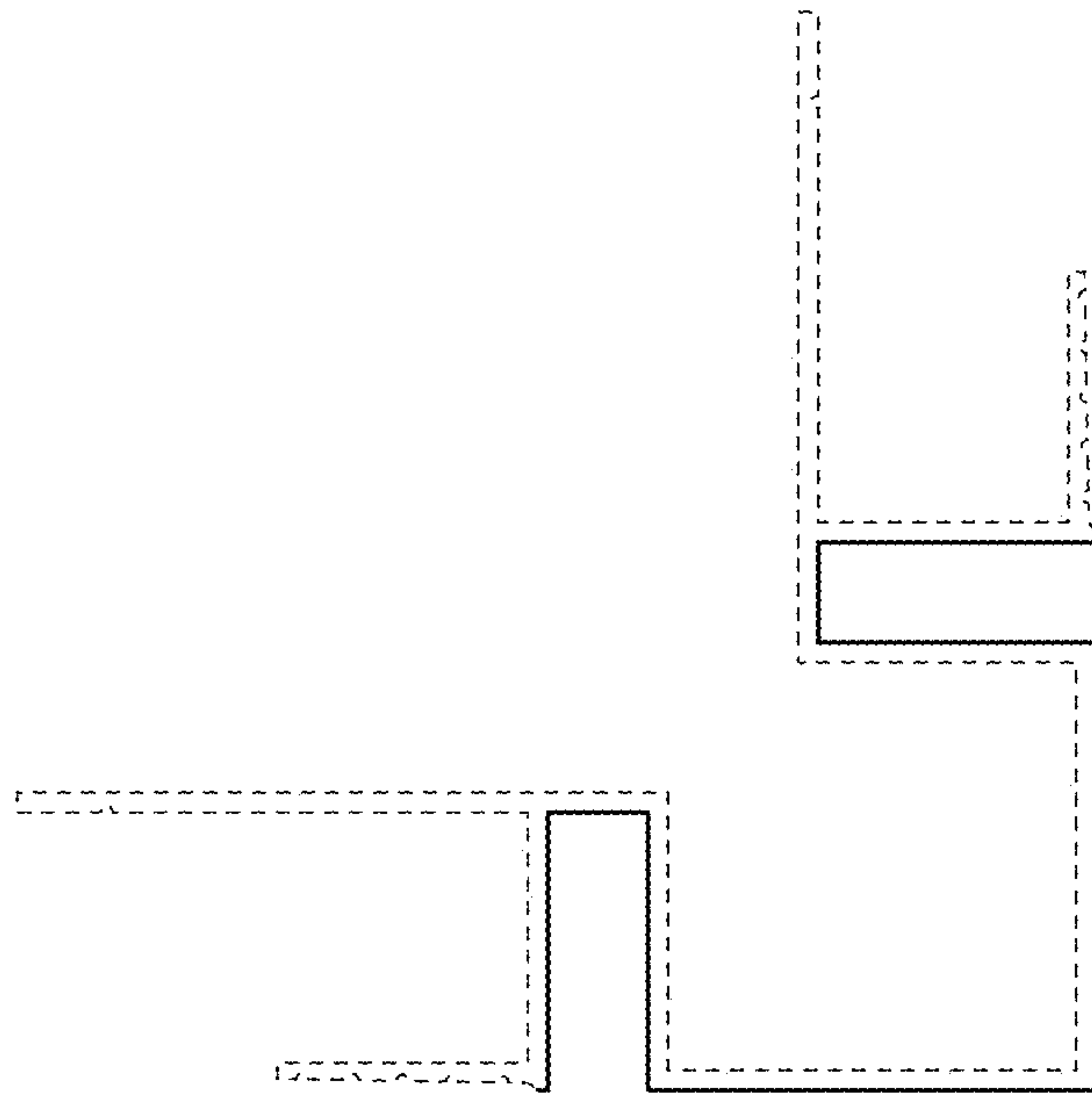


FIG. 2

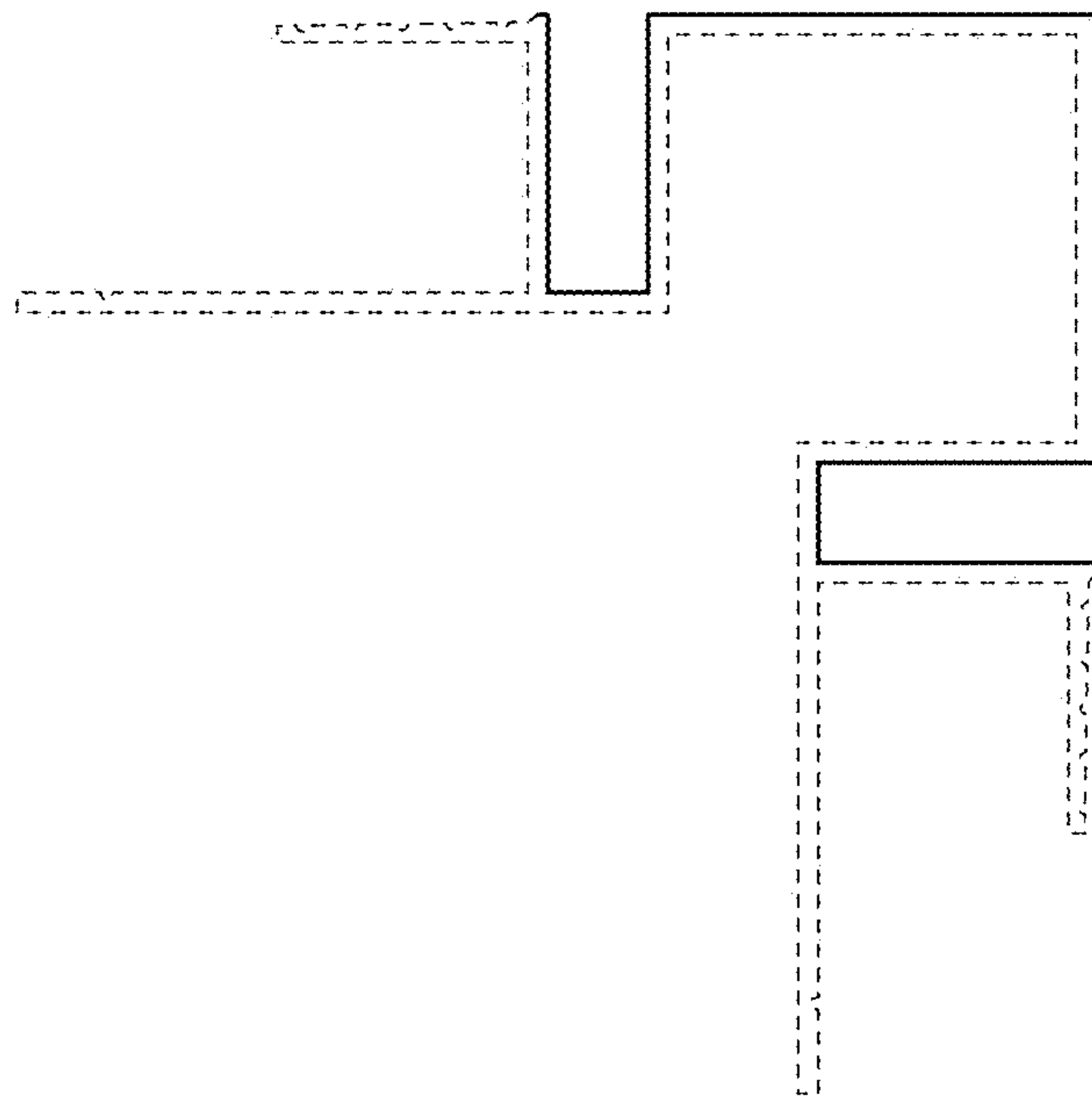


FIG. 3

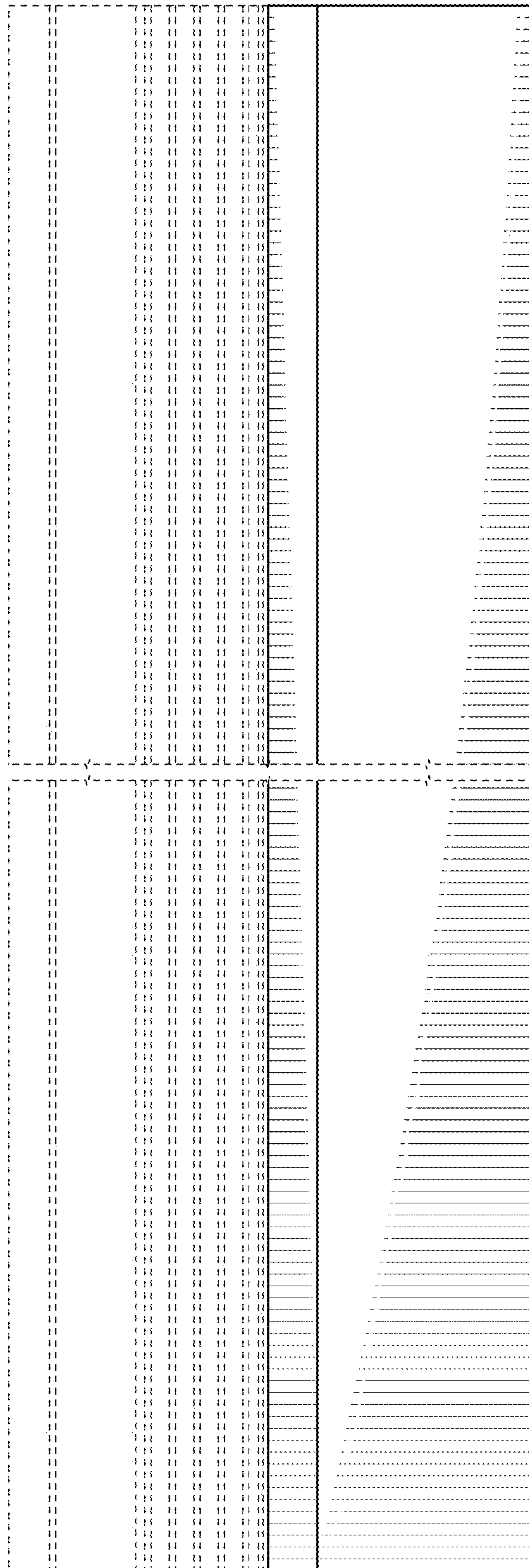


FIG. 4



FIG. 5

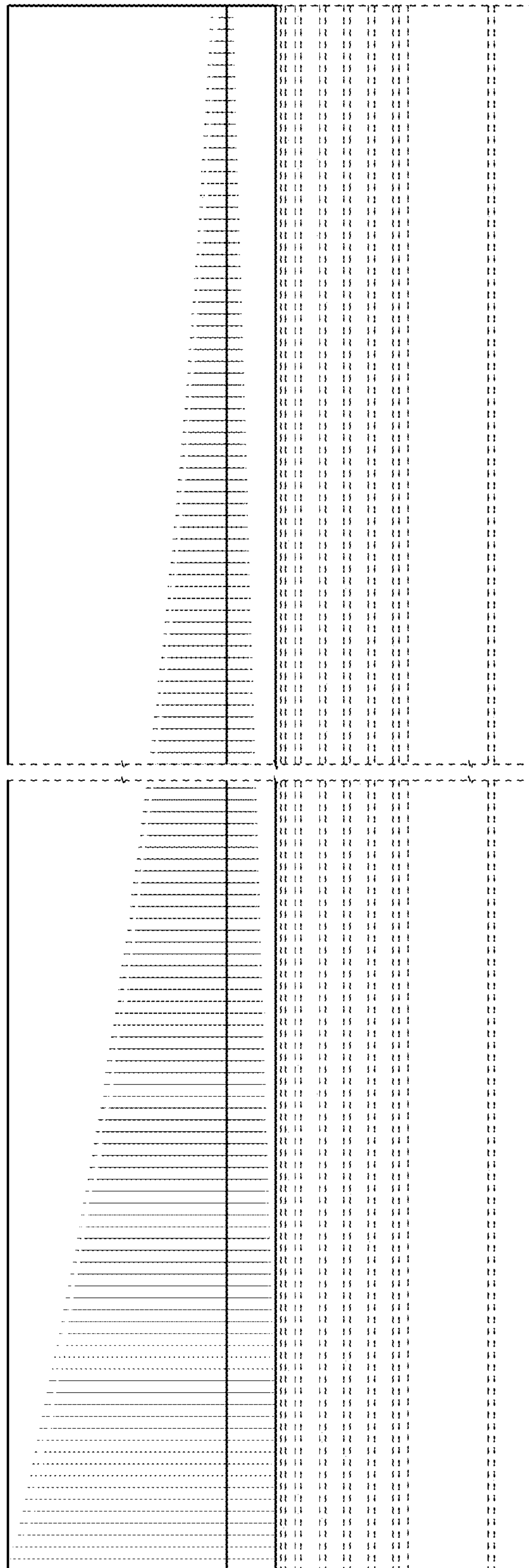


FIG. 6

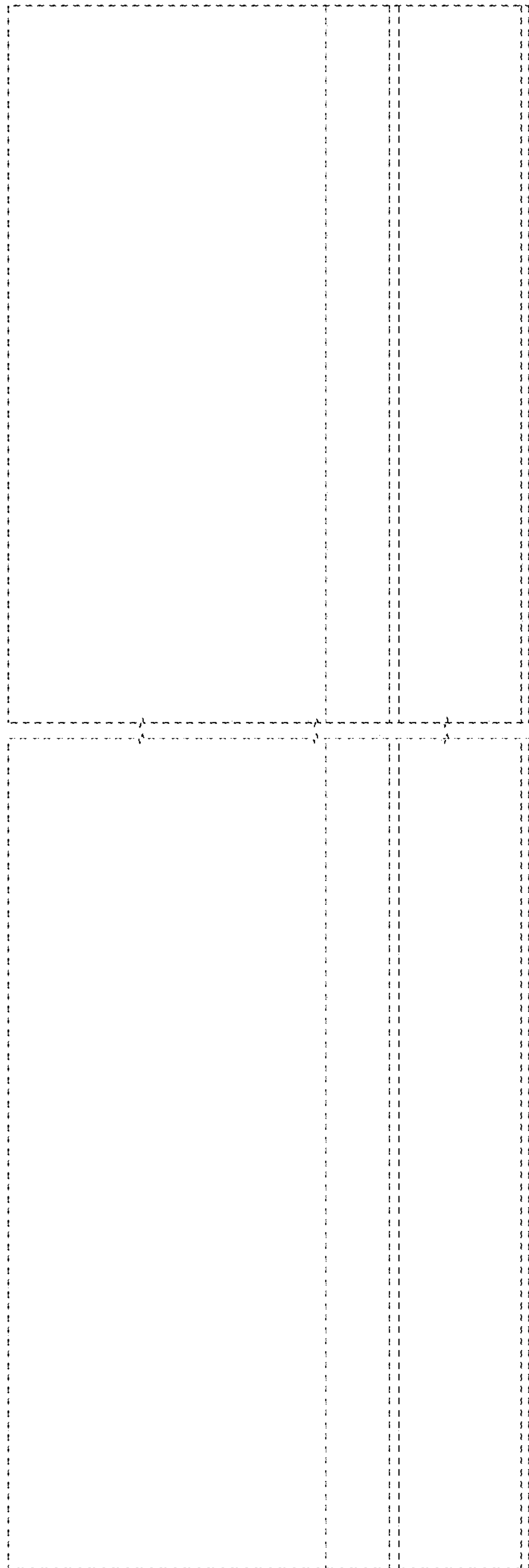


FIG. 7

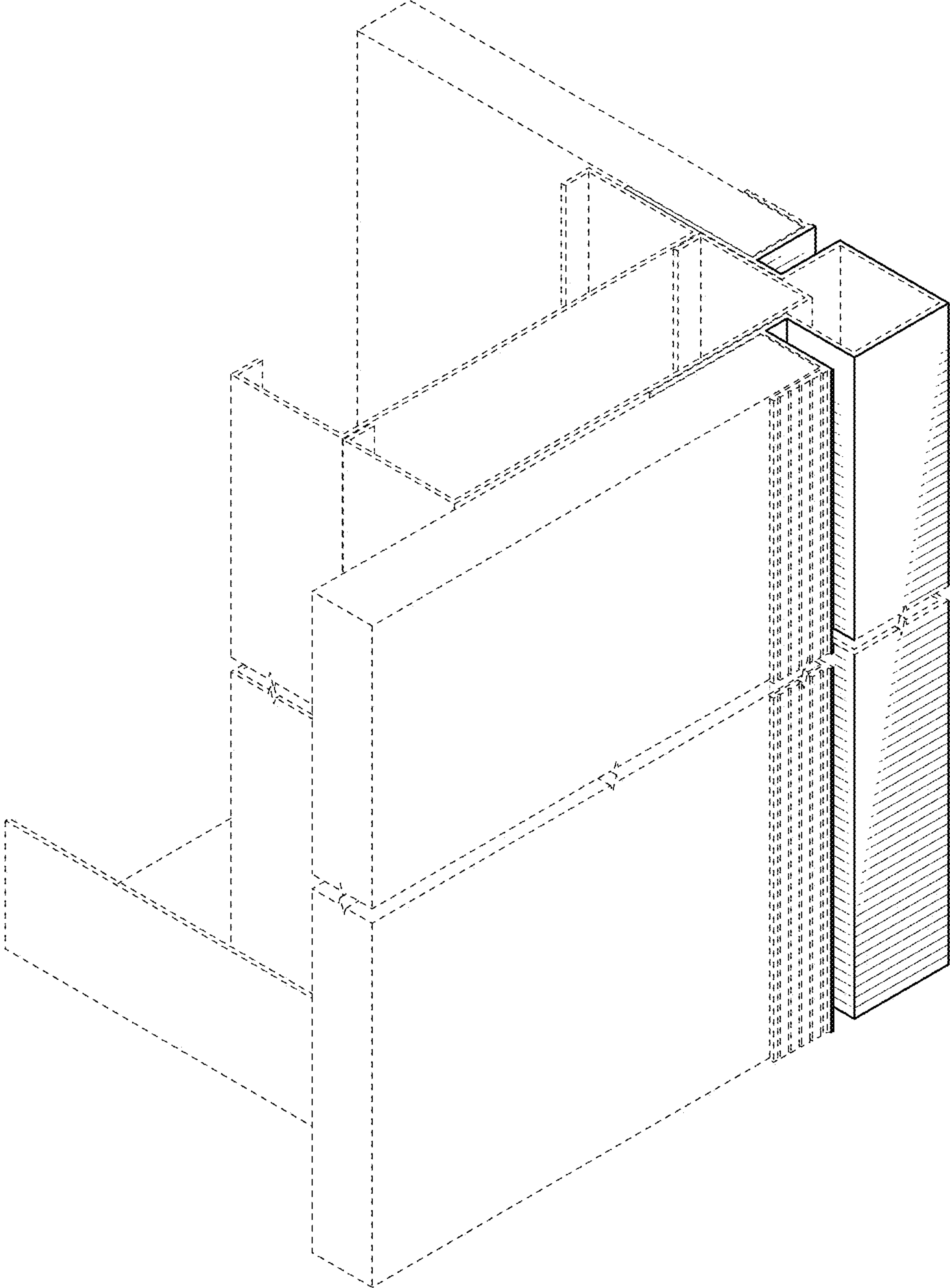


FIG. 8

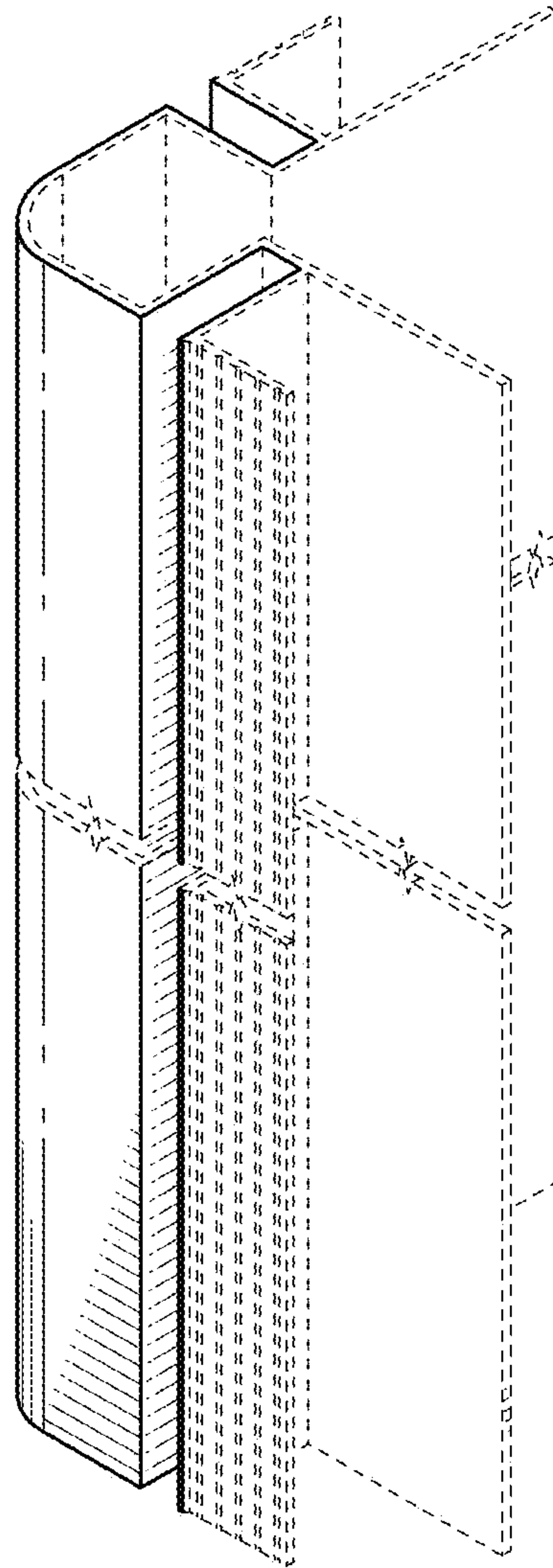


FIG. 9

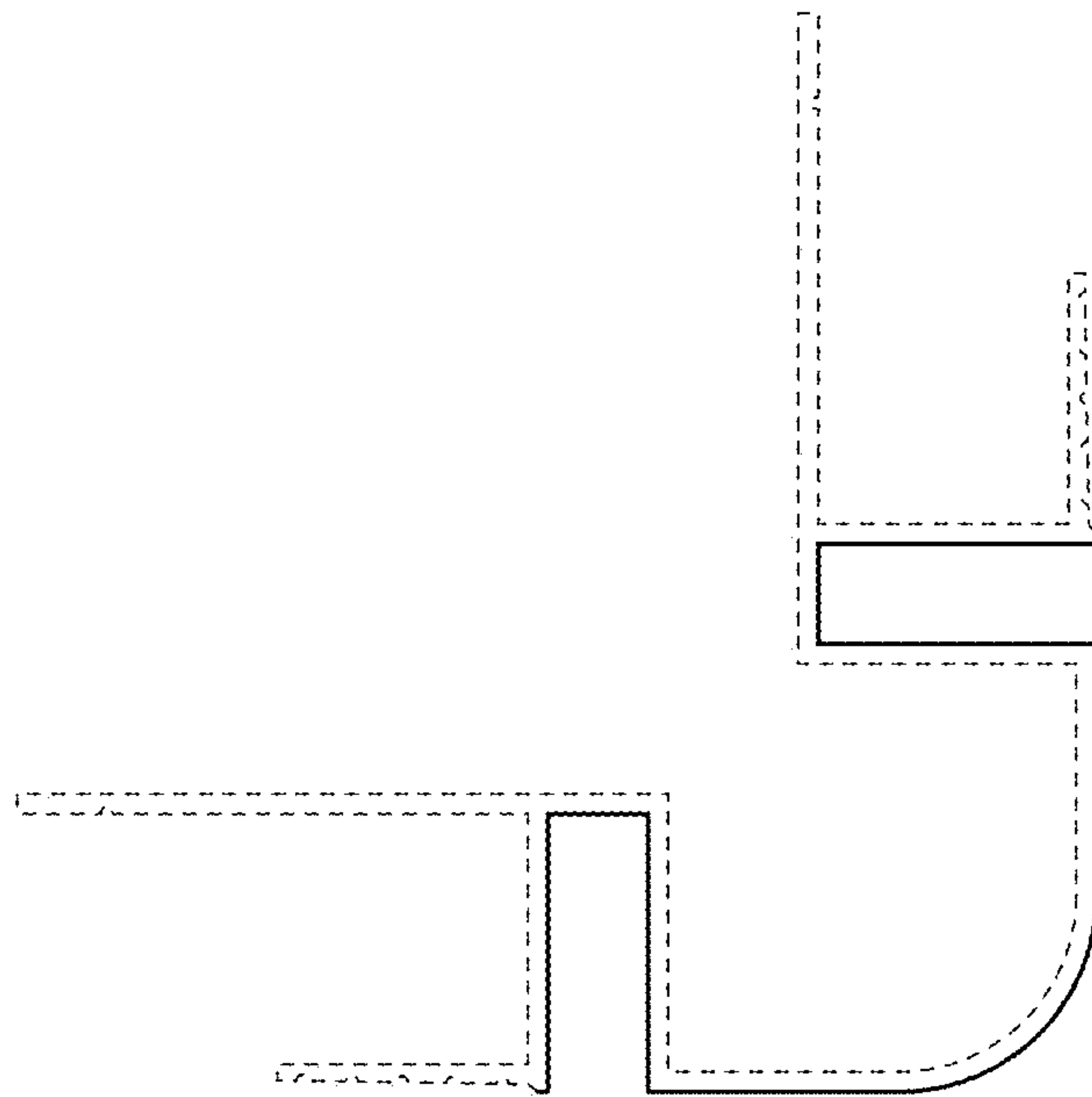


FIG. 10

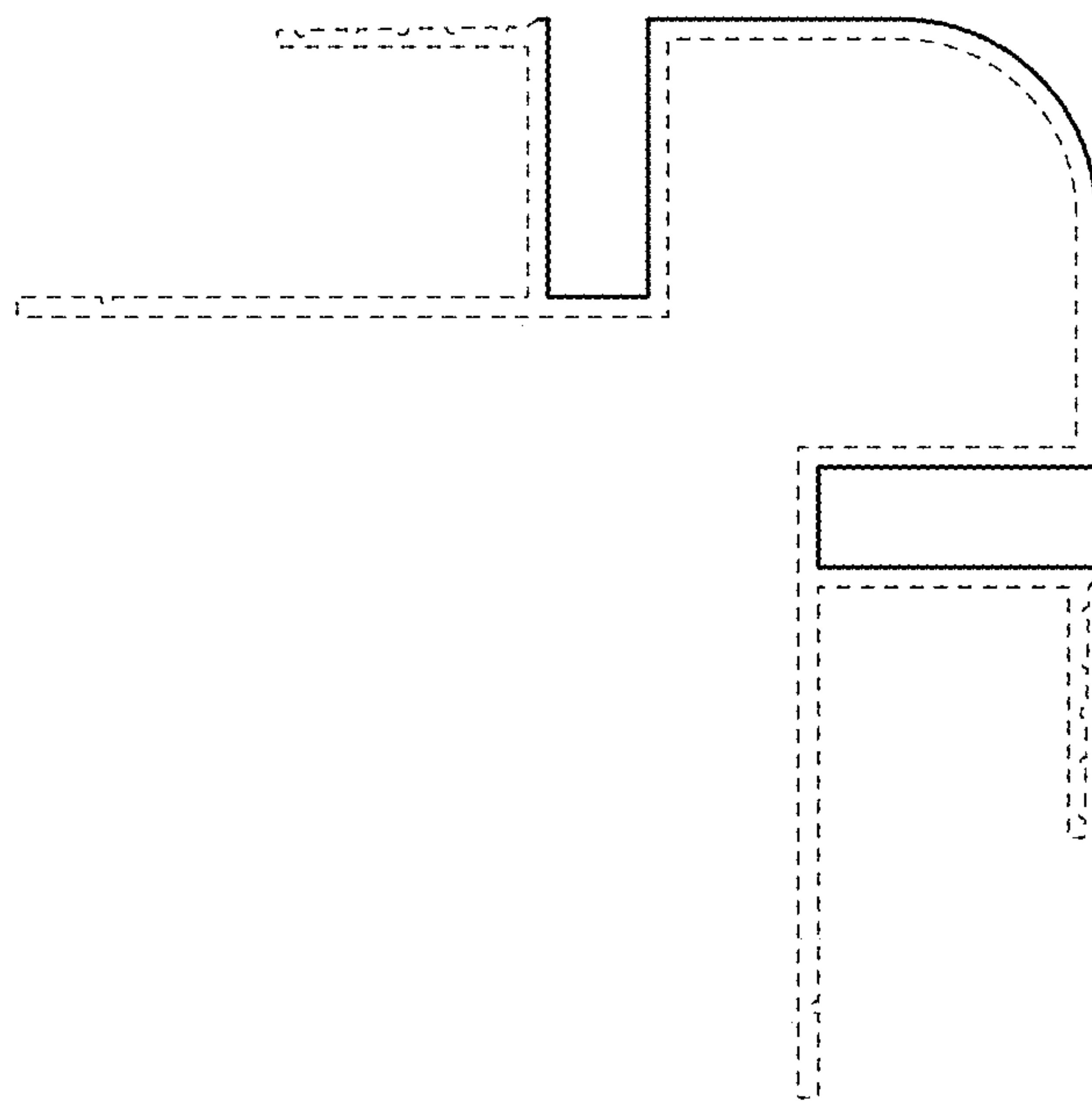


FIG. 11

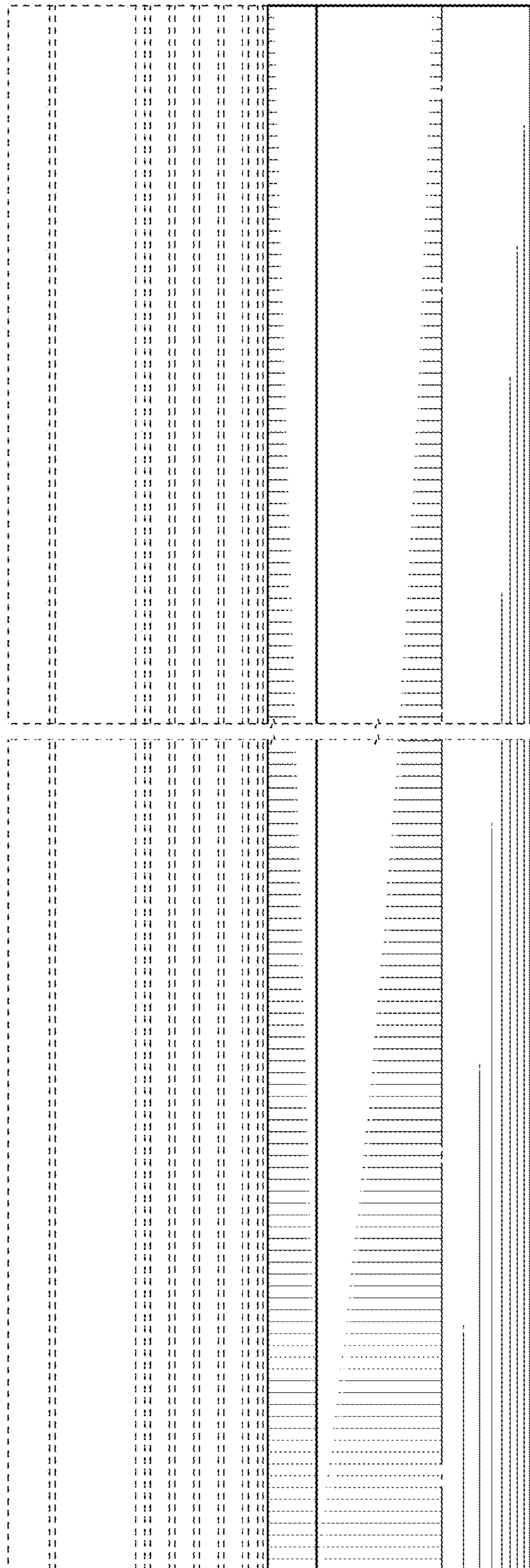


FIG. 12



FIG. 13

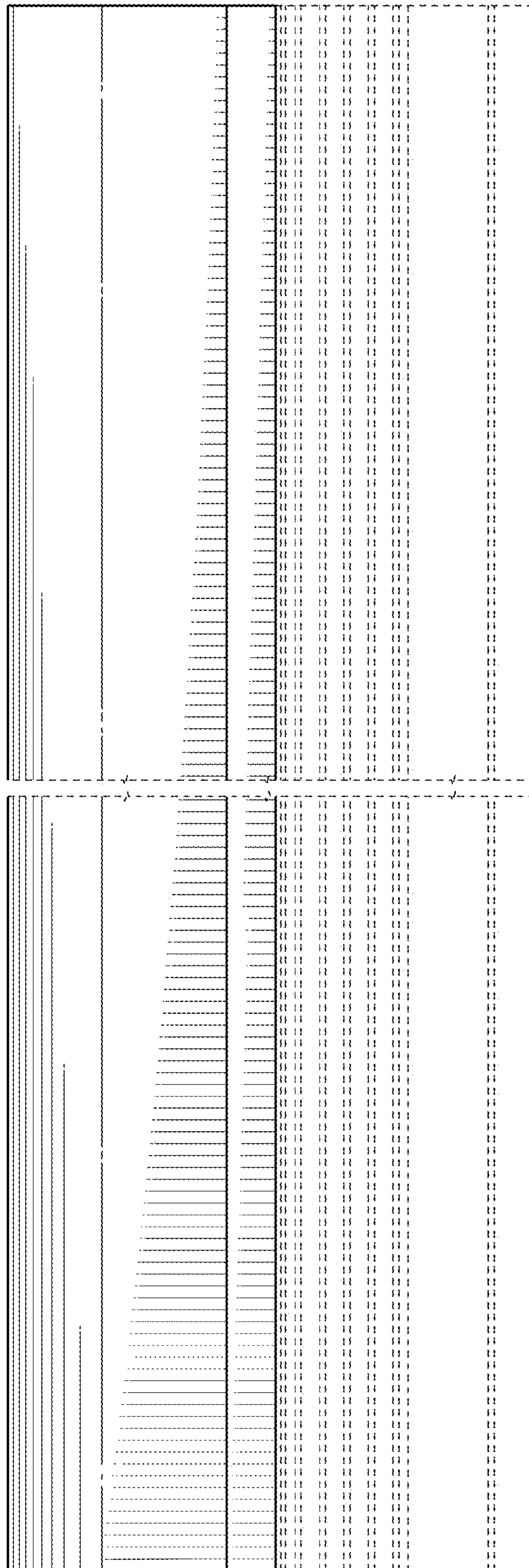


FIG. 14

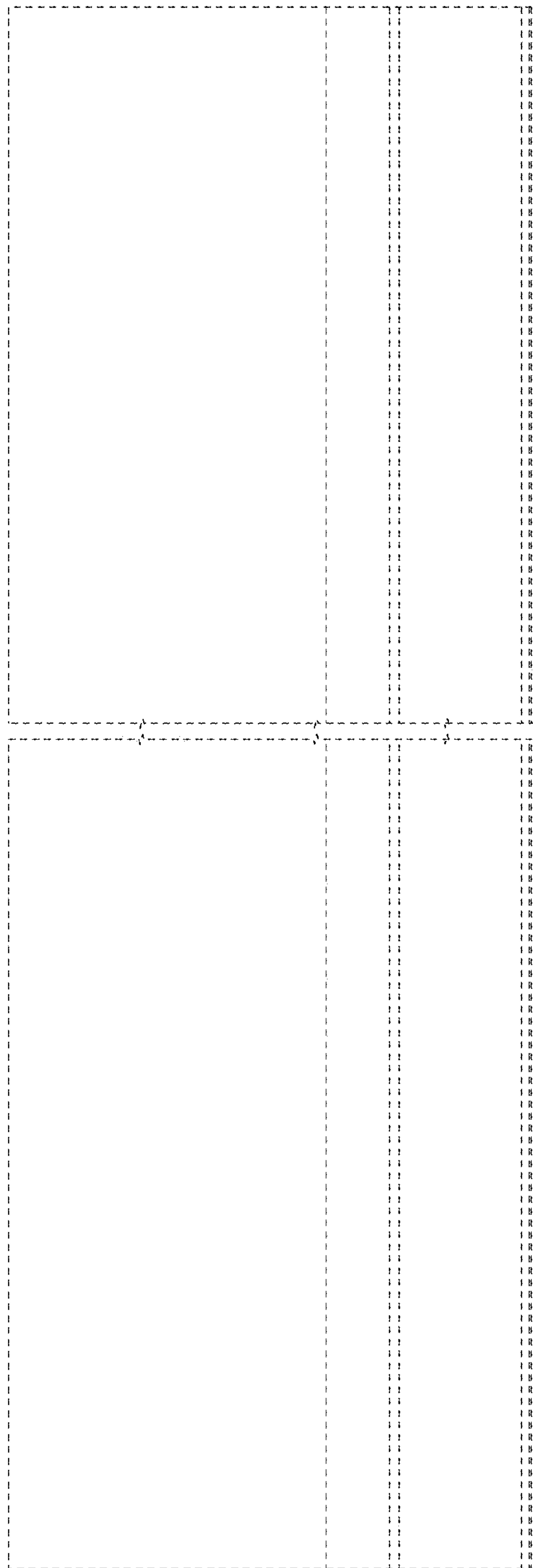


FIG. 15

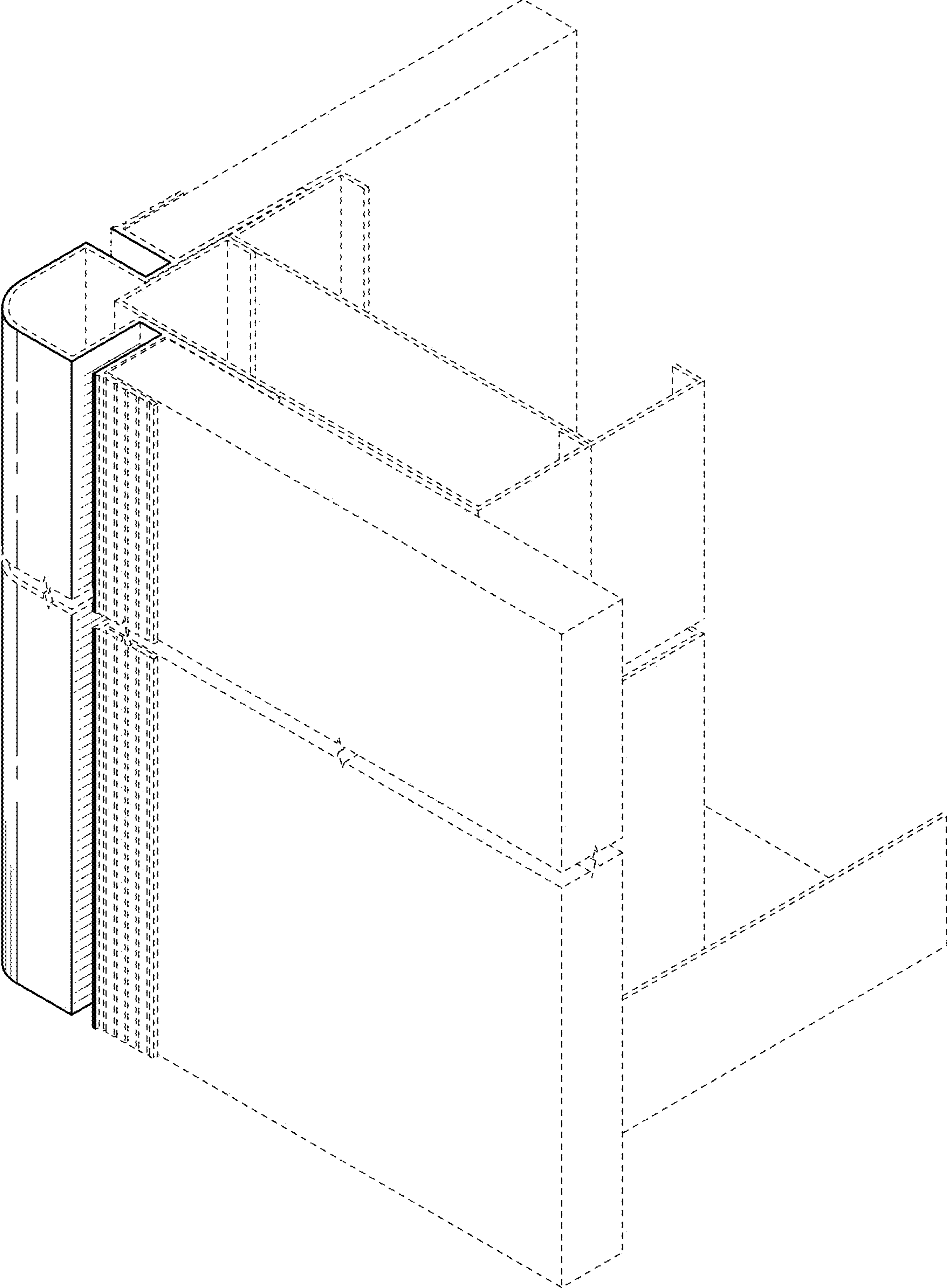


FIG. 16