



US00D887581S

(12) **United States Design Patent**
Dangrow et al.

(10) **Patent No.:** **US D887,581 S**
(45) **Date of Patent:** **** Jun. 16, 2020**

- (54) **LADDER TOP**
- (71) Applicants: **Joseph Dangrow**, Mercer, PA (US);
Troy Johnson, Jamestown, PA (US);
Derek Bibler, Sharpsville, PA (US);
Christopher Ruppen, New Brighton,
PA (US)
- (72) Inventors: **Joseph Dangrow**, Mercer, PA (US);
Troy Johnson, Jamestown, PA (US);
Derek Bibler, Sharpsville, PA (US);
Christopher Ruppen, New Brighton,
PA (US)
- (73) Assignee: **Werner Co.**, Greenville, PA (US)
- (**) Term: **15 Years**

5,358,070 A * 10/1994 Bartnicki E06C 7/14
182/129
5,573,081 A * 11/1996 Bartnicki E06C 7/14
182/129
D422,717 S * 4/2000 Bartnicki D25/68
D531,322 S * 10/2006 Patton D25/68
9,435,155 B2 * 9/2016 Tiber B26D 7/01
D835,807 S * 12/2018 Lentine D25/69
2009/0283361 A1 * 11/2009 Gibson E06C 7/14
182/129

* cited by examiner

Primary Examiner — Gino Colan
(74) *Attorney, Agent, or Firm* — Ansel M. Schwartz

- (21) Appl. No.: **29/638,066**
- (22) Filed: **Feb. 23, 2018**
- (51) **LOC (12) Cl.** **25-04**
- (52) **U.S. Cl.**
USPC **D25/68**
- (58) **Field of Classification Search**
USPC D25/62, 63, 64, 65, 68, 69; 182/107, 21,
182/180.1, 194, 132, 67.4, 152, 230, 115,
182/116, 222, 228.1, 198, 129, 108, 206
CPC E06C 7/00; E06C 7/14; E06C 7/48; E06C
7/482
See application file for complete search history.

(57) **CLAIM**

The ornamental design for a ladder top, as shown and described.

DESCRIPTION

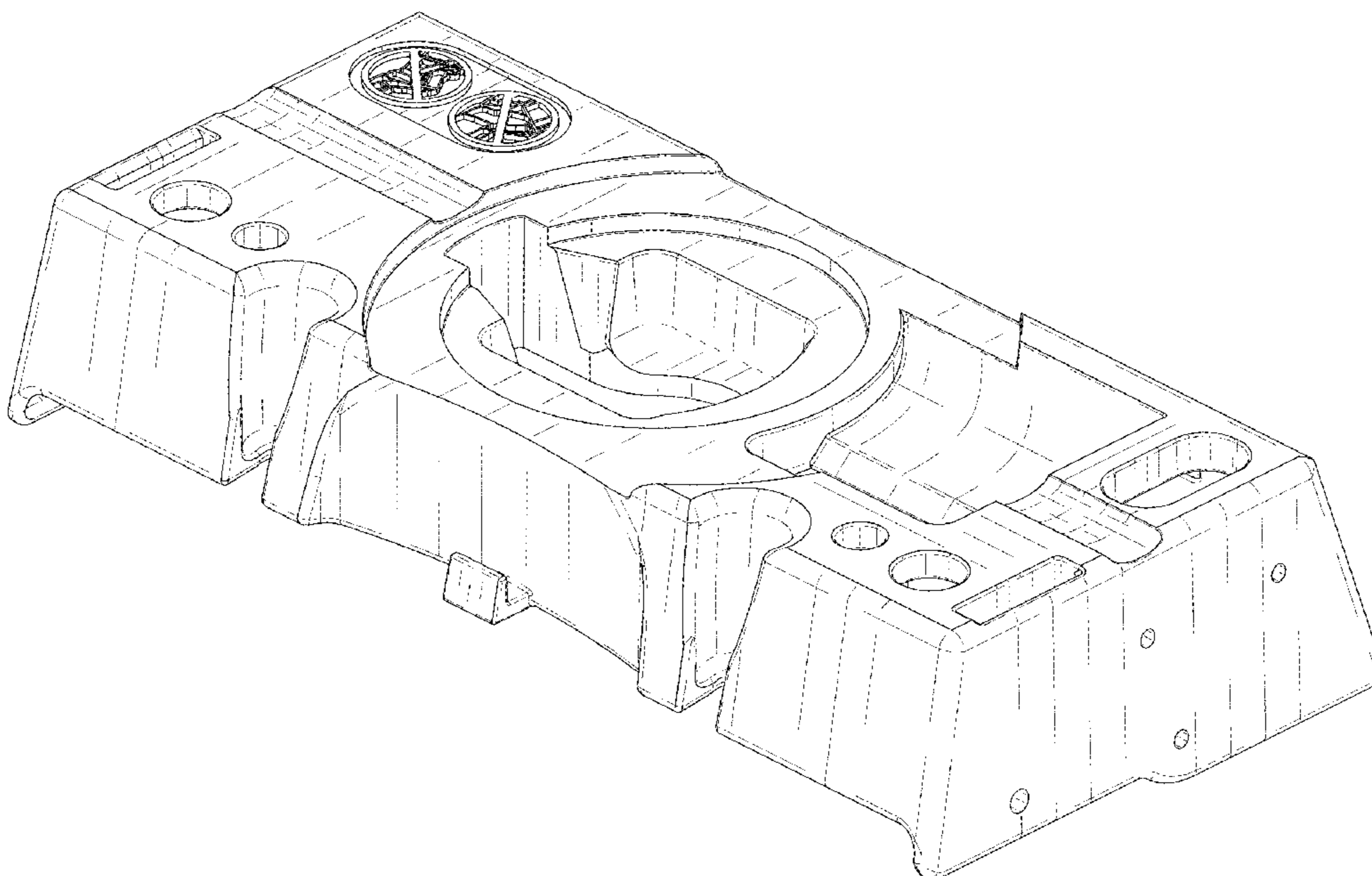
FIG. 1 is a rear perspective view of a ladder top showing our new design;
FIG. 2 is a front perspective view thereof;
FIG. 3 is a top plan view thereof;
FIG. 4 is a rear elevational view thereof;
FIG. 5 is a front elevational view thereof;
FIG. 6 is a bottom plan view thereof;
FIG. 7 is a left side elevational view thereof, the view from the other side being a mirror image of FIG. 7; and,
FIG. 8 is a front perspective view thereof, shown in a condition of use.

The broken lines shown in the figures are included for the purpose of illustrating portions of the ladder top which form no part of the claimed design. The broken lines showing a ladder and an impact drill in FIG. 8 are included for the purpose of illustrating environment which form no part of the claimed design.

(56) **References Cited**
U.S. PATENT DOCUMENTS

D334,240 S * 3/1993 Huffine D25/68
5,259,480 A * 11/1993 Bartnicki E06C 7/14
182/129

1 Claim, 7 Drawing Sheets



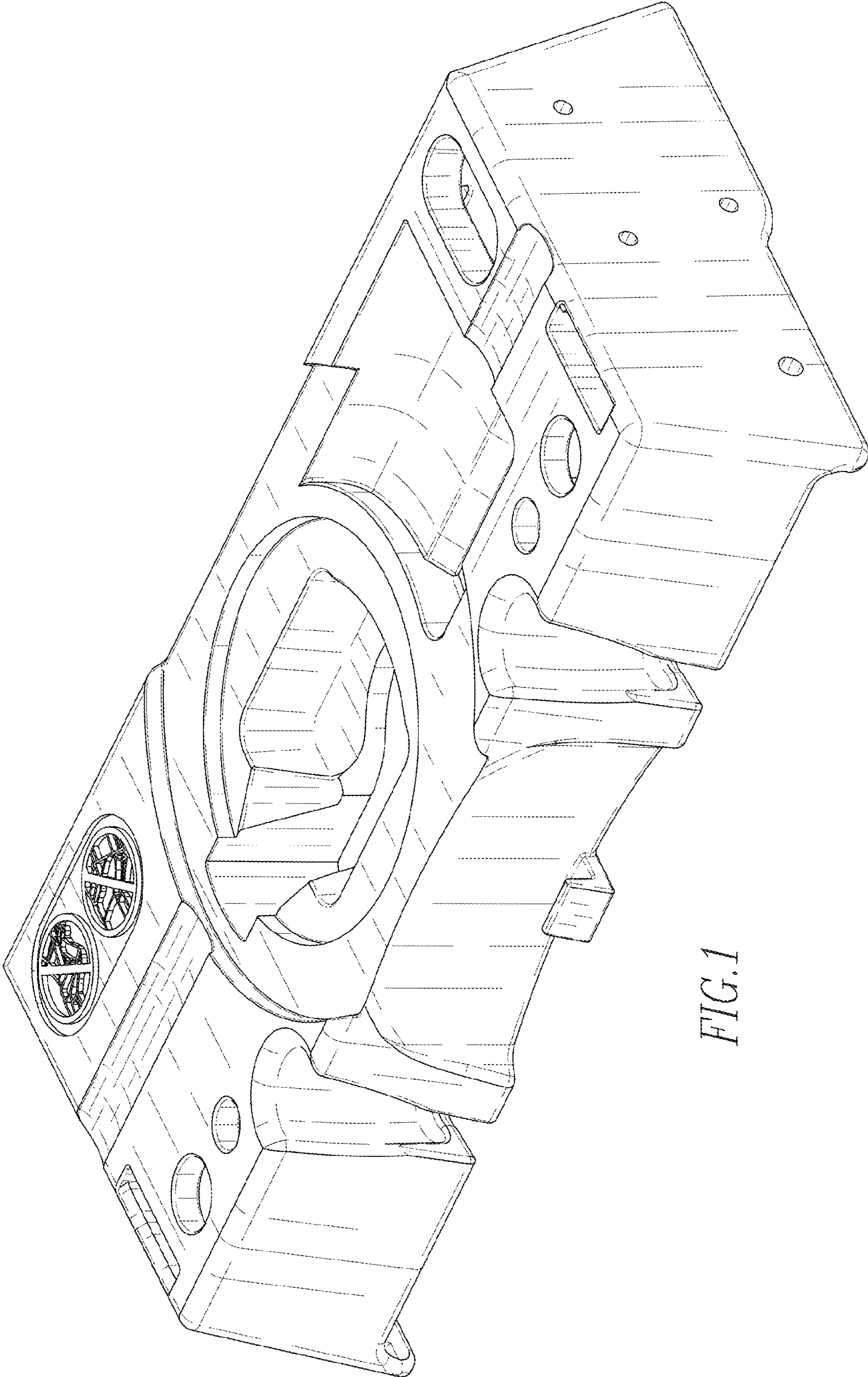


FIG. 1

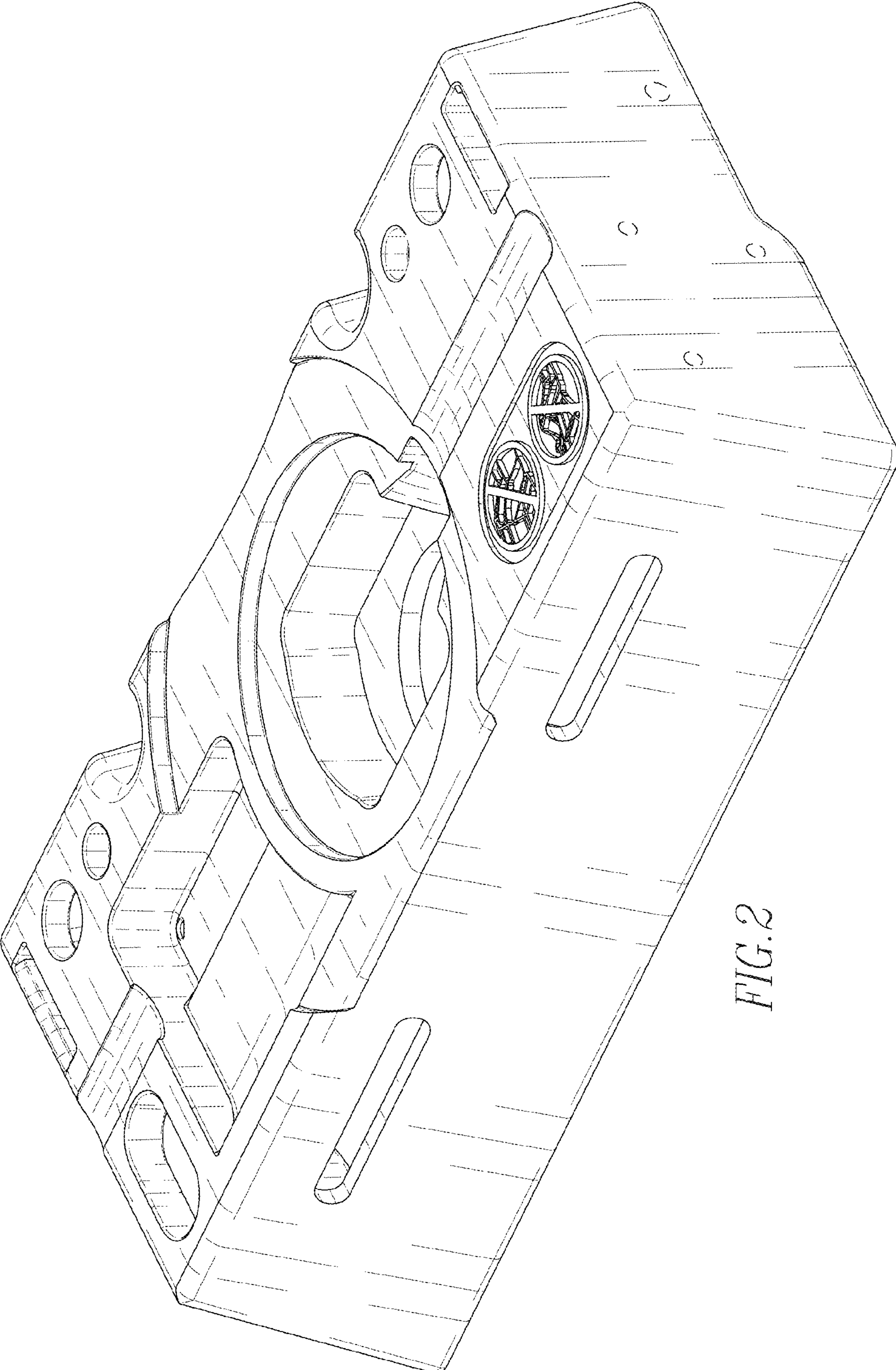


FIG. 2

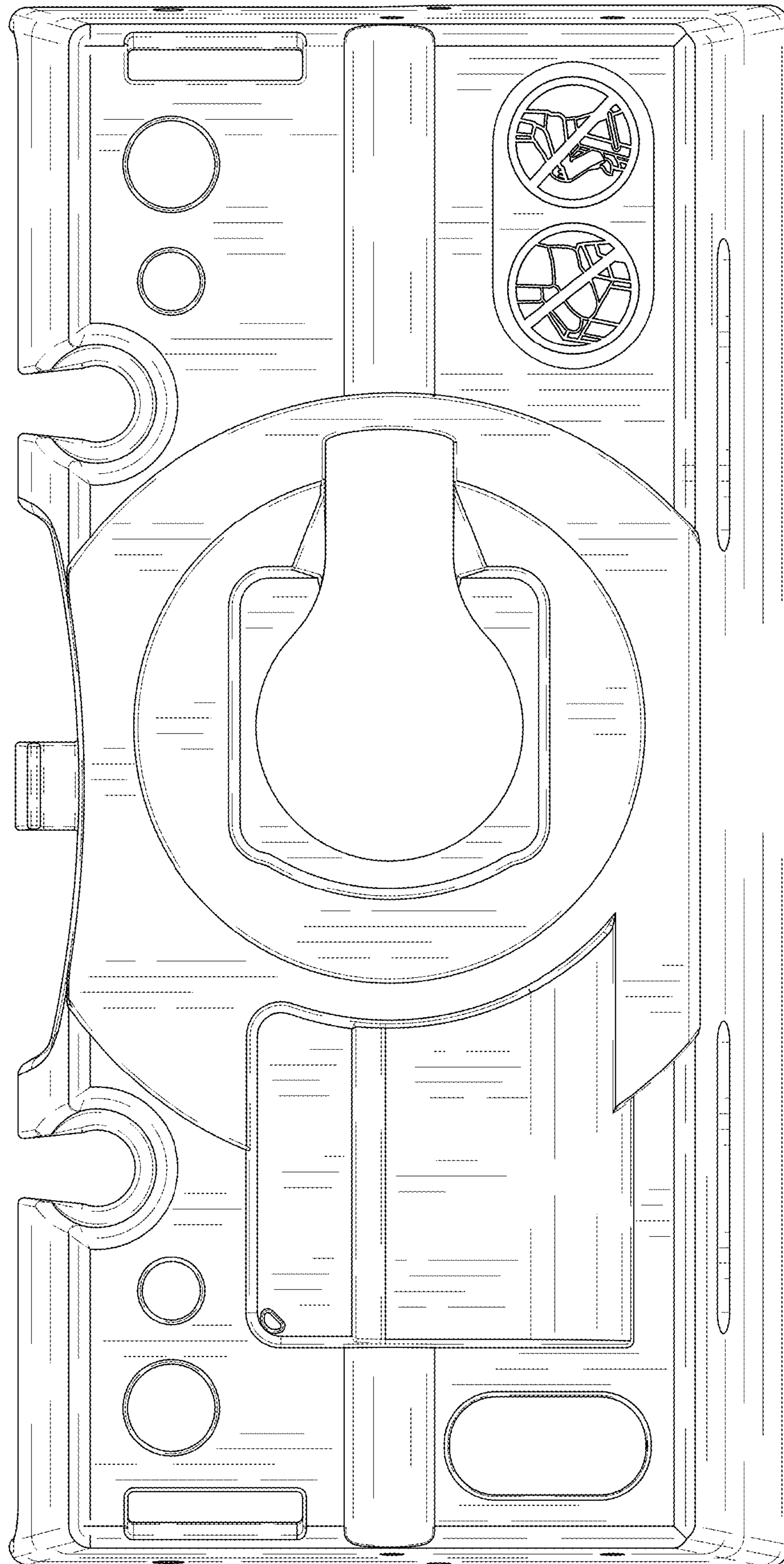


FIG. 3

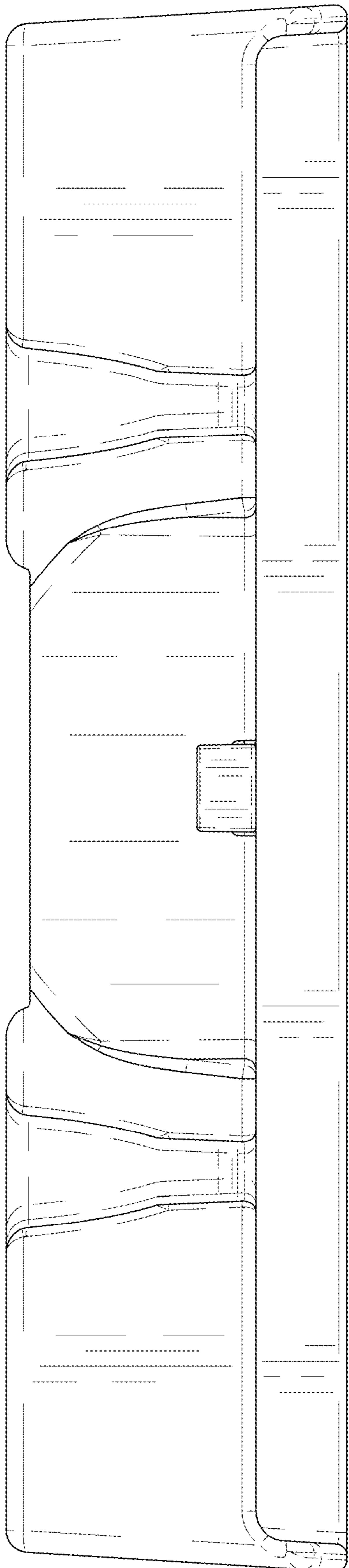


FIG. 4

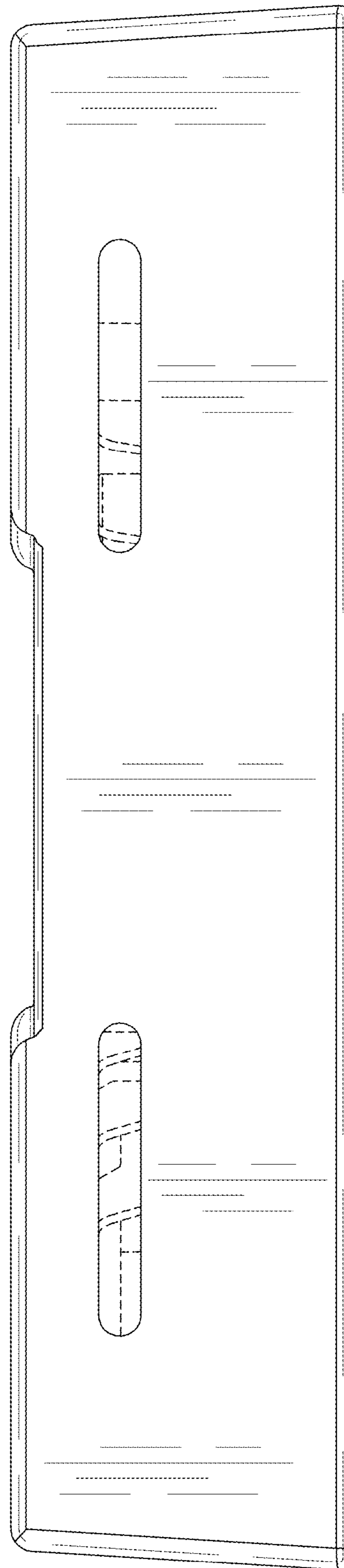


FIG. 5

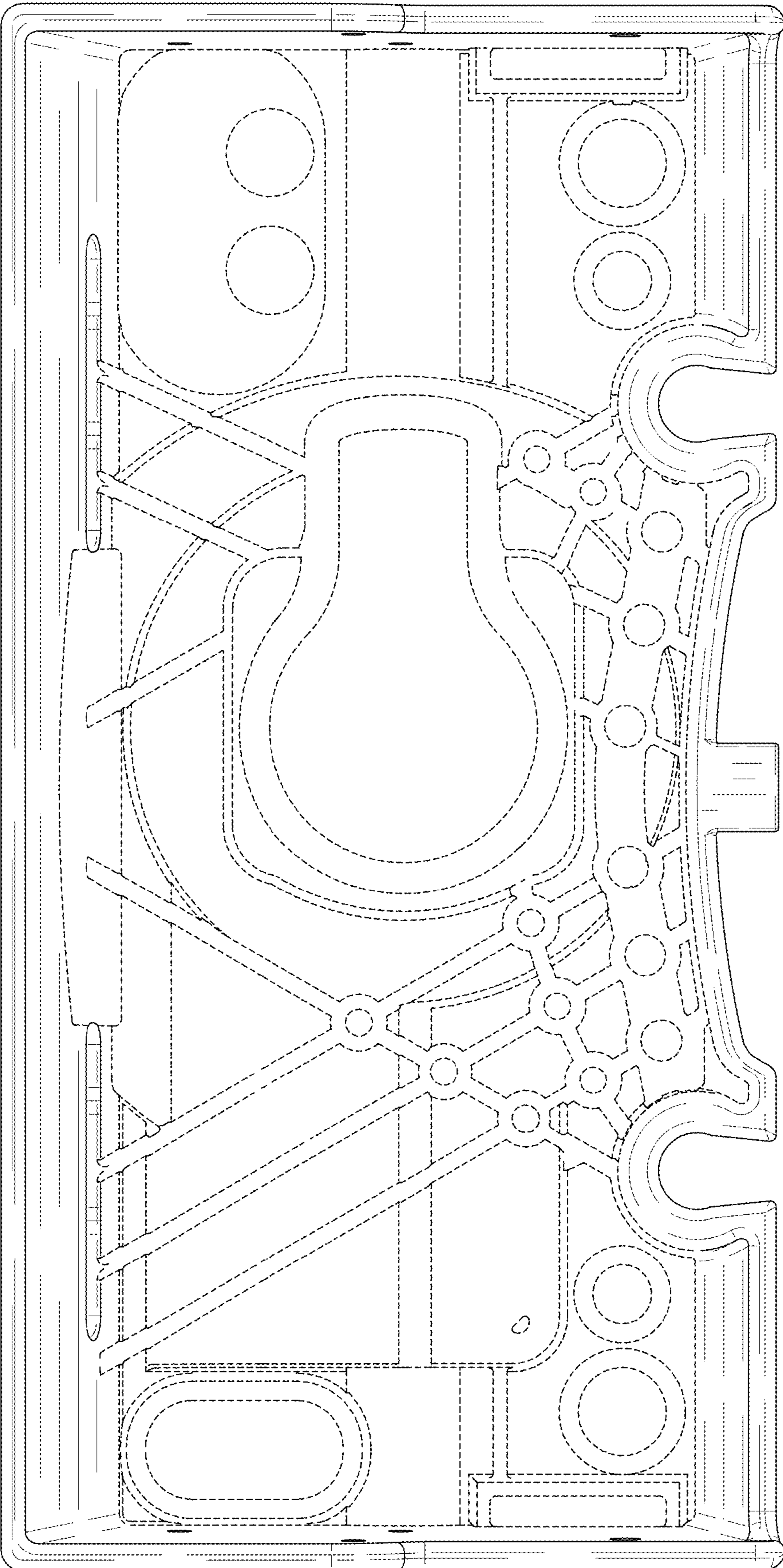


FIG. 6

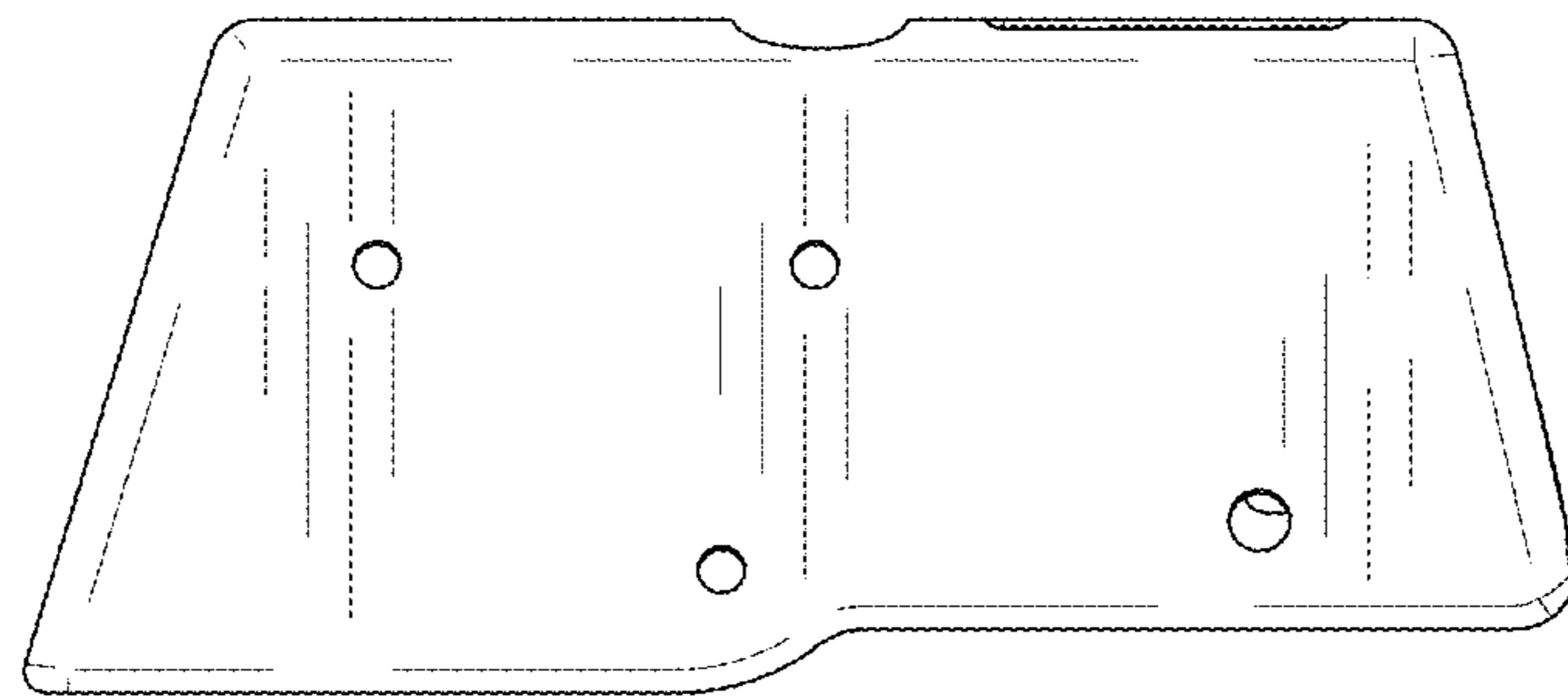


FIG. 7

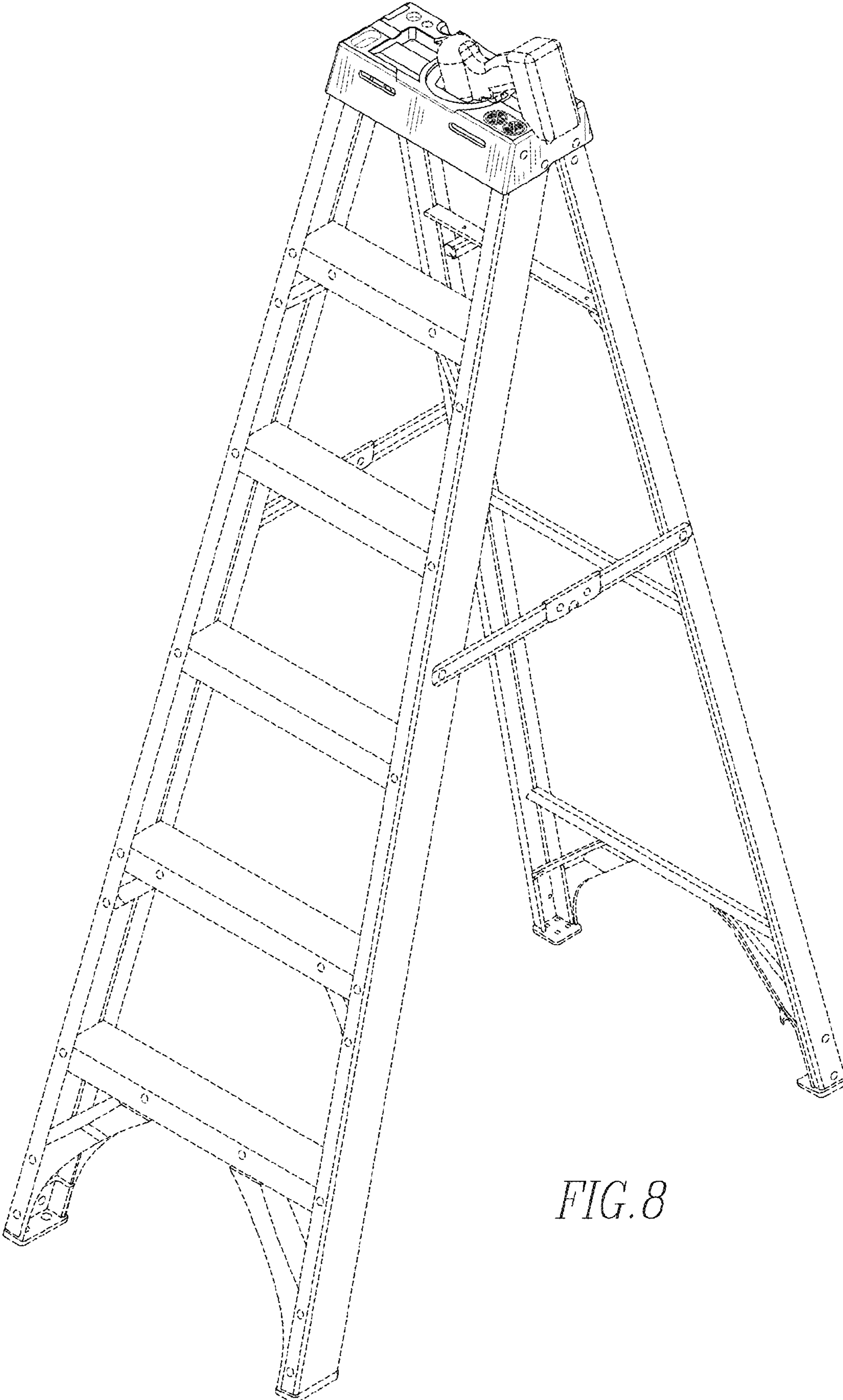


FIG. 8