



US00D887577S

(12) **United States Design Patent** (10) **Patent No.:** **US D887,577 S**
Shor et al. (45) **Date of Patent:** **** Jun. 16, 2020**

(54) **VIAL ADAPTER**
(71) Applicant: **NeuroDerm, Ltd.**, Rehovot (IL)
(72) Inventors: **Eran Shor**, Arugot (IL); **Tsabar Mor**,
Adi (IL); **Nir Lilach**, Kfar Yehoshua
(IL); **Rami Grossfeld**, Haifa (IL); **Yoav**
Tikochinsky, Tel Aviv (IL); **Serdar**
Ozsumer, Milan (IT)

D713,541 S * 9/2014 LaFaver D24/224
D733,291 S * 6/2015 Wang D24/129
D734,868 S * 7/2015 Gilboa D24/231
D763,433 S * 8/2016 Davidian D24/108
D765,837 S * 9/2016 Lev D24/129
D767,124 S * 9/2016 Lev D24/129
D788,886 S * 6/2017 Salzer D23/259
D804,051 S * 11/2017 Alexander D24/227
D809,656 S * 2/2018 Lau D24/129
D847,309 S * 4/2019 Sugatani D23/259

(73) Assignee: **NeuroDerm, Ltd.**, Rehovot (IL)
(**) Term: **15 Years**

FOREIGN PATENT DOCUMENTS

JP D2019-19 * 1/2019

* cited by examiner

(21) Appl. No.: **29/655,583**
(22) Filed: **Jul. 5, 2018**
(51) **LOC (12) Cl.** **24-02**
(52) **U.S. Cl.**
USPC **D24/227**
(58) **Field of Classification Search**
USPC D24/108, 127, 129, 130, 216–217, 219,
D24/222–227, 231, 232;
D3/203.1–203.8, 202; D8/97, 300, 310,
D8/349
CPC A61J 1/2082
See application file for complete search history.

Primary Examiner — Susan Bennett Hattan

Assistant Examiner — Omeed Agilee

(74) *Attorney, Agent, or Firm* — Goodwin Procter LLP

(56) **References Cited**

U.S. PATENT DOCUMENTS

D407,491 S * 3/1999 Rocha D24/162
D445,501 S * 7/2001 Niedospial, Jr. D24/129
D495,416 S * 8/2004 Dimeo A61J 1/2096
D24/129
D594,937 S * 6/2009 Price D23/259
D630,732 S * 1/2011 Lev D24/129
D669,980 S * 10/2012 Lev D24/129
D674,088 S * 1/2013 Lev D24/224

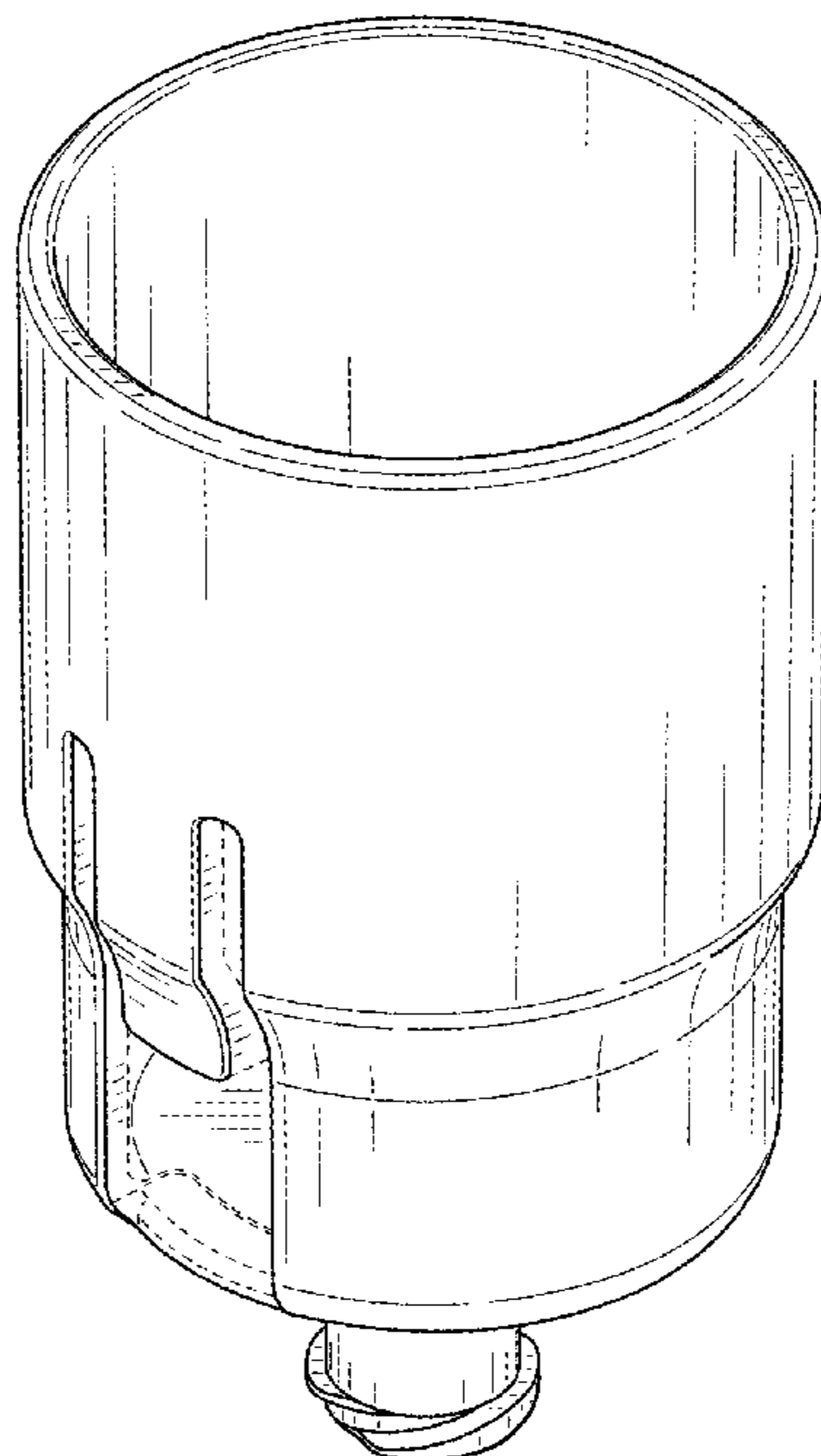
(57) **CLAIM**

The ornamental design for a vial adapter, as shown and described.

DESCRIPTION

FIG. 1 is a front perspective view of a vial adapter;
FIG. 2 is a front view of the vial adapter;
FIG. 3 is a rear view of the vial adapter;
FIG. 4 is a right side view of the vial adapter;
FIG. 5 is a left side view of the vial adapter;
FIG. 6 is a top view of the vial adapter;
FIG. 7 is a bottom view of the vial adapter; and,
FIG. 8 is a rear perspective view of the vial adapter.
The evenly spaced broken lines shown in the drawings depict portions of the vial adapter that form no part of the claimed design.

1 Claim, 5 Drawing Sheets



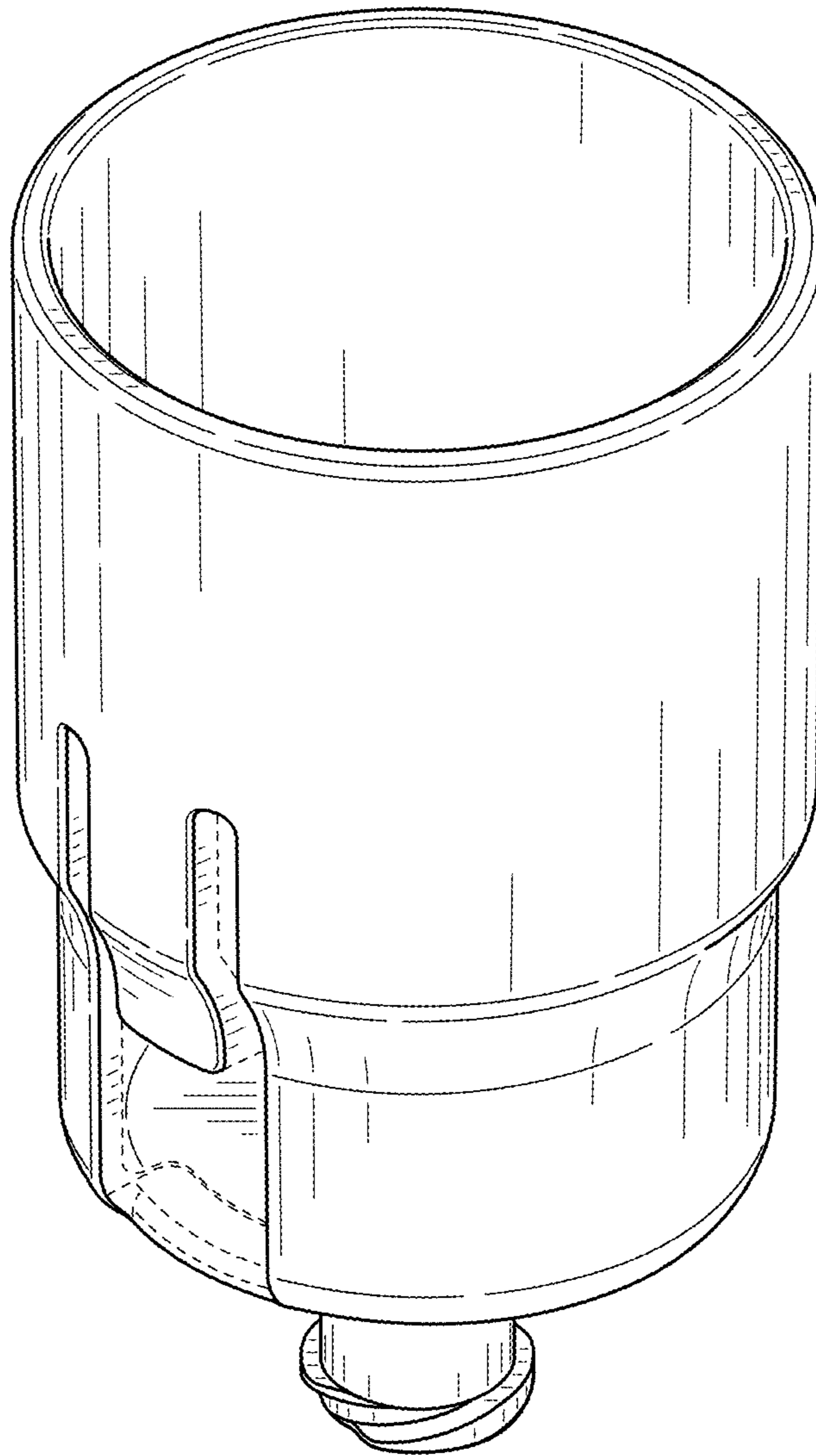


FIG. 1

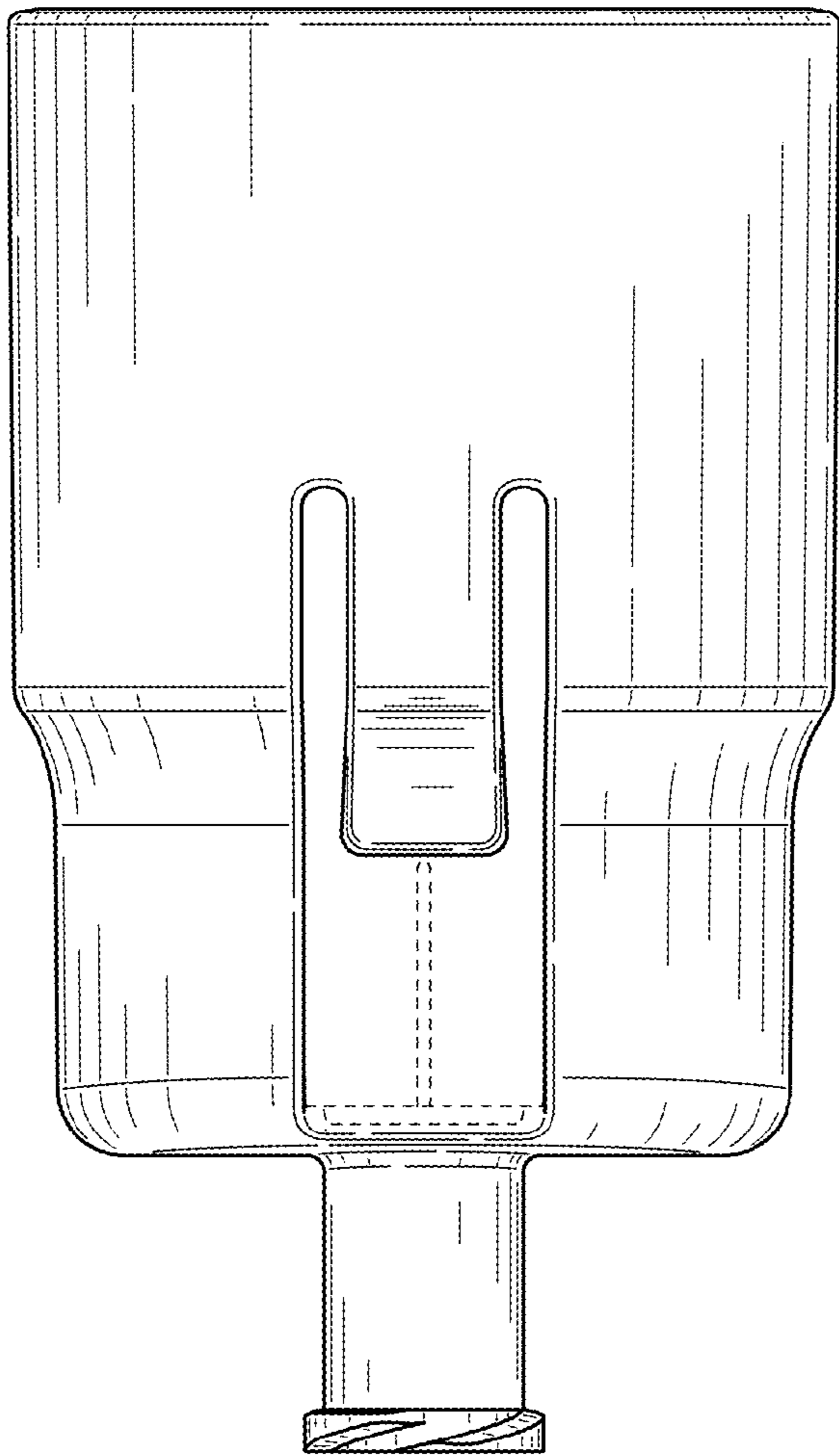


FIG. 2

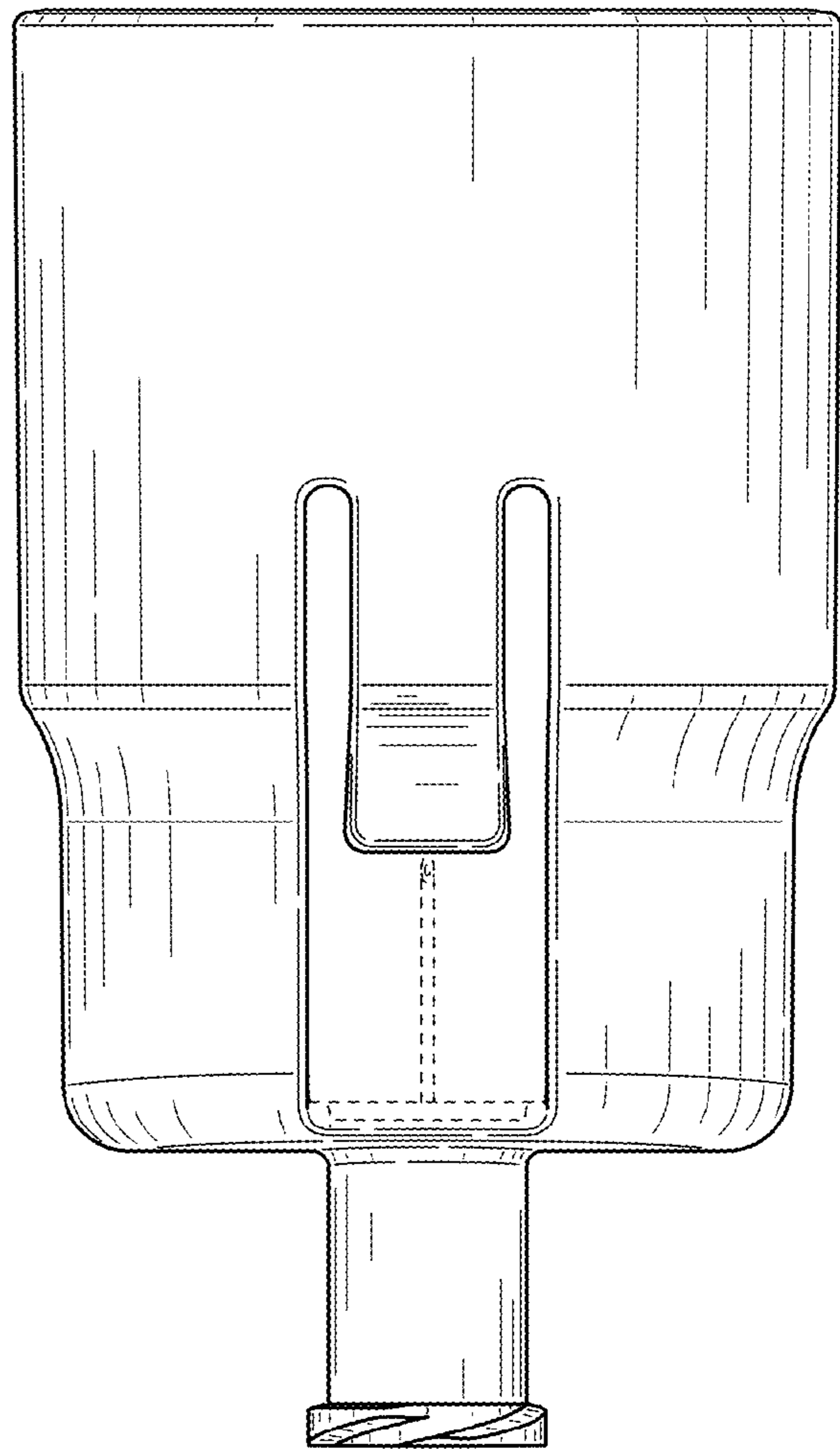


FIG. 3

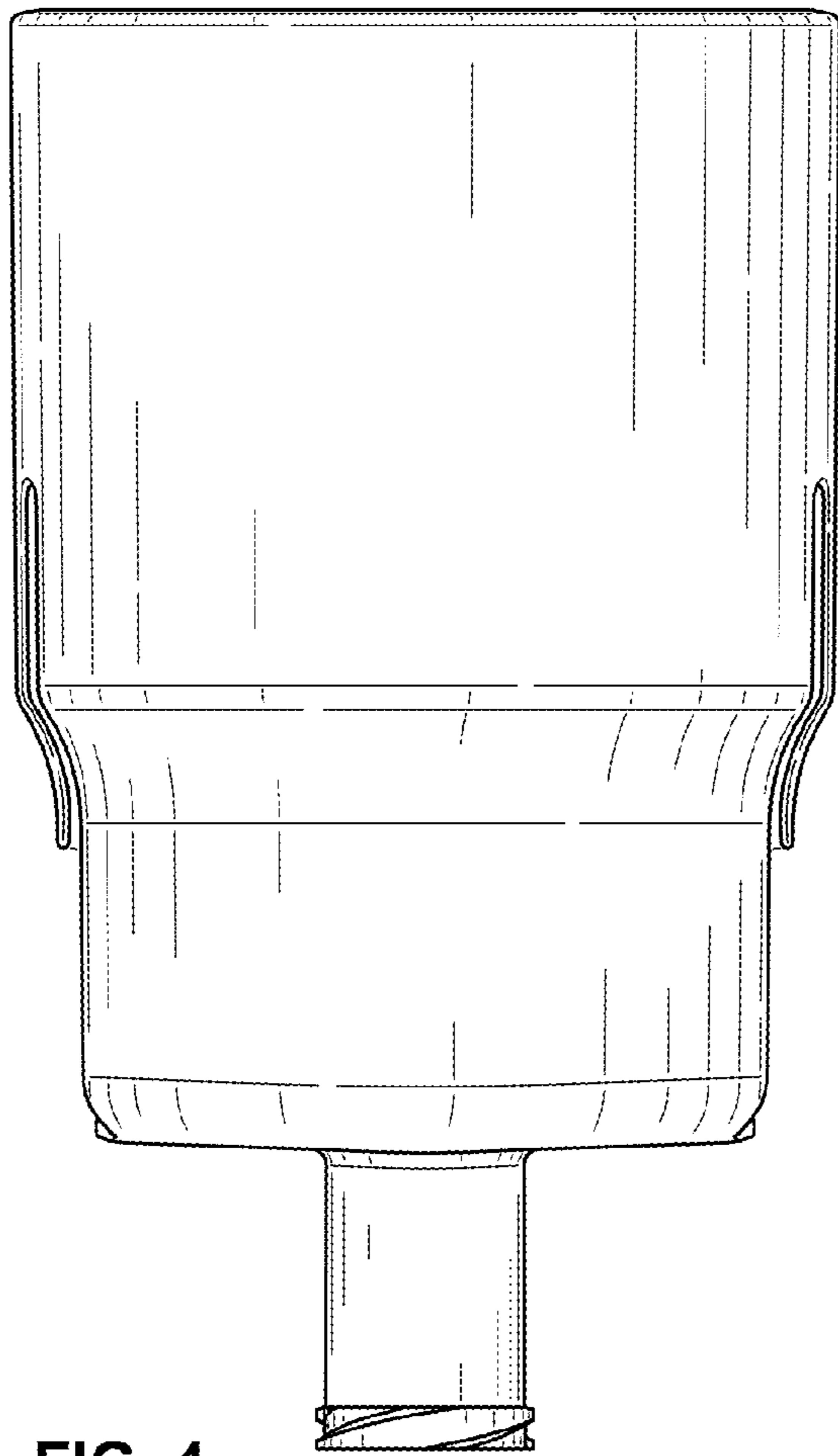


FIG. 4

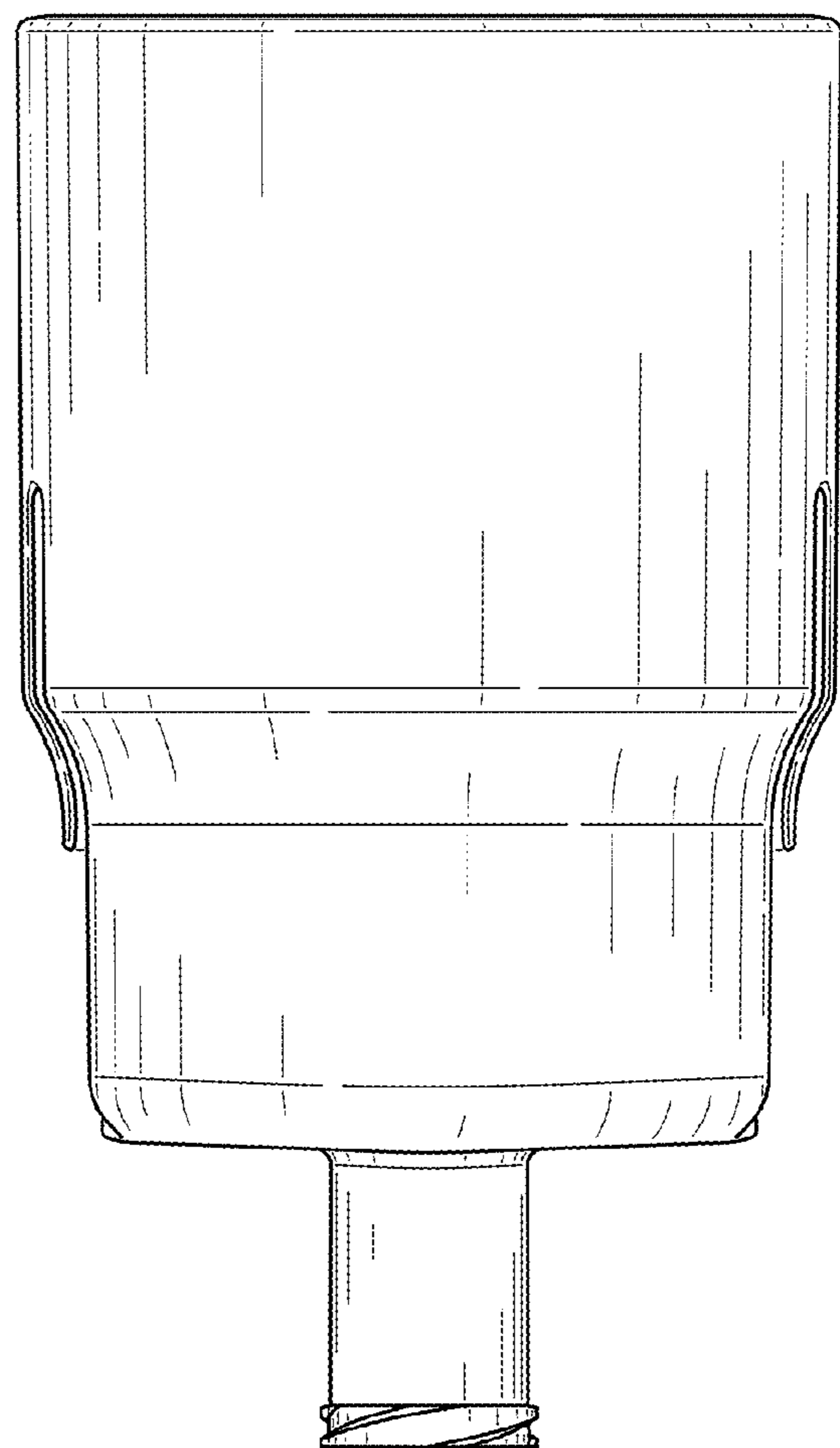


FIG. 5

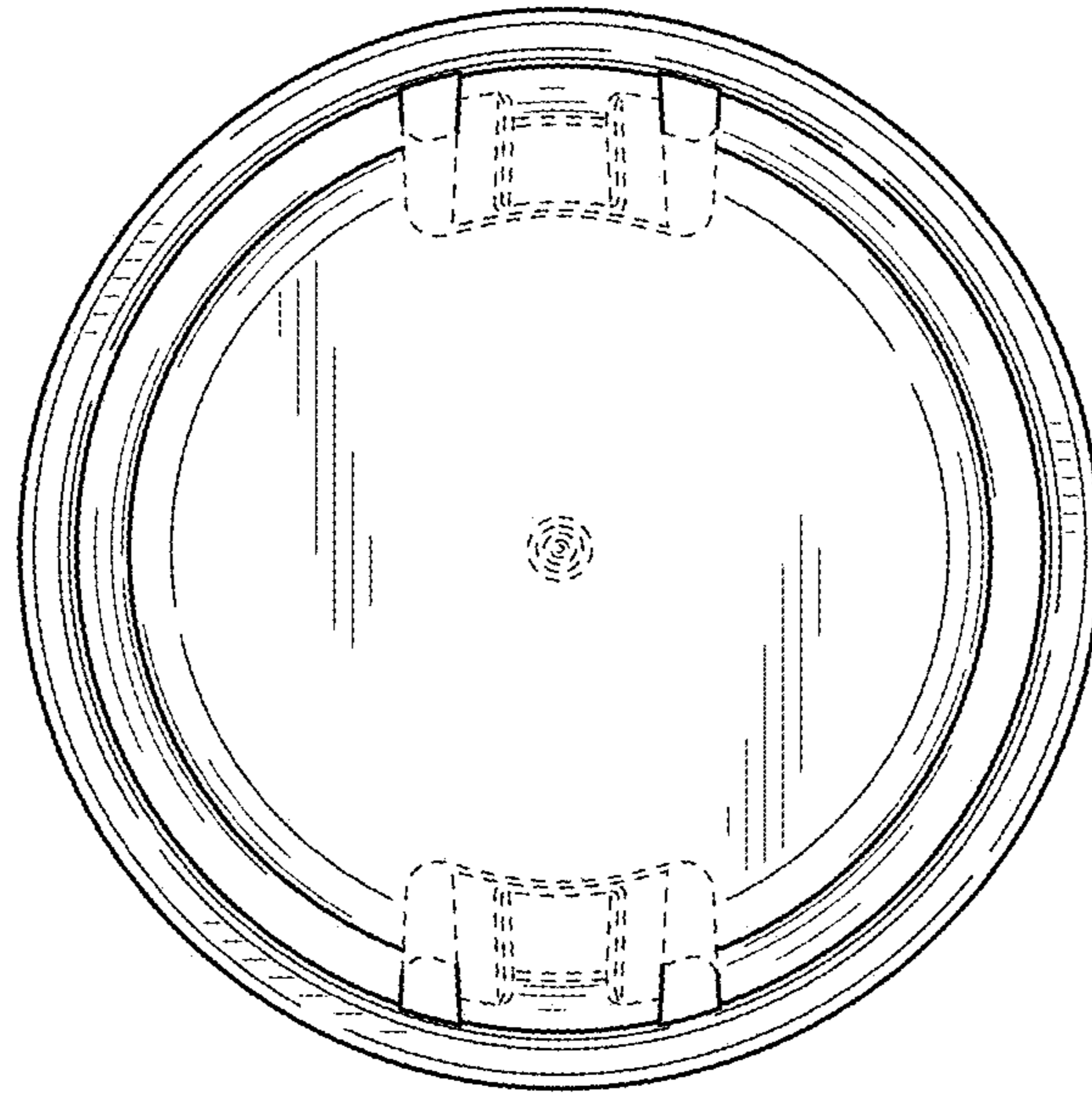


FIG. 6

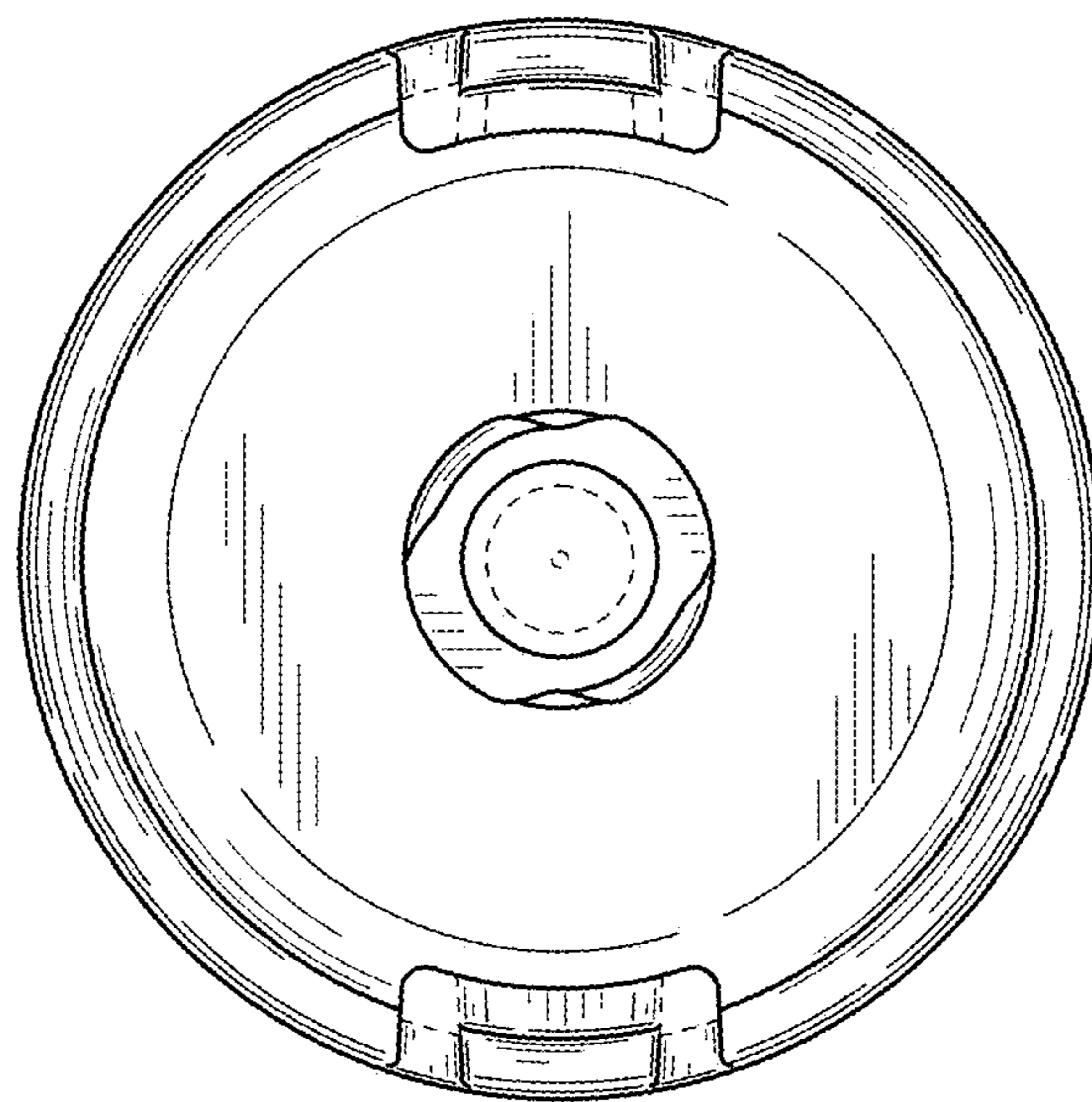


FIG. 7

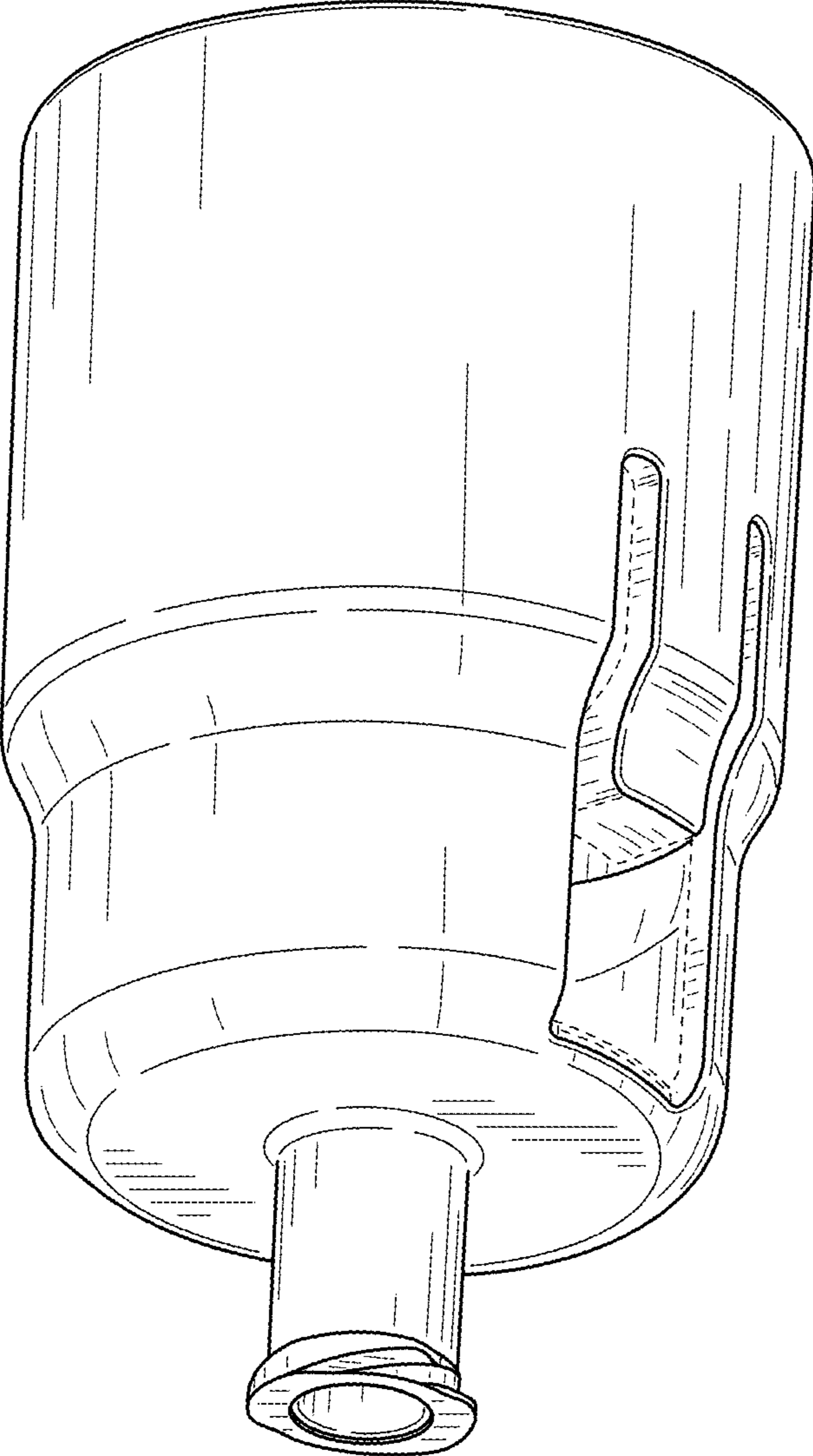


FIG. 8