



US00D887575S

(12) **United States Design Patent**
Bakalar et al.

(10) **Patent No.:** **US D887,575 S**
(45) **Date of Patent:** **** Jun. 16, 2020**

(54) **INDICATOR STRIP**

(71) Applicant: **3M INNOVATIVE PROPERTIES COMPANY**, Saint Paul, MN (US)

(72) Inventors: **Robbi L. Bakalar**, Woodbury, MN (US); **Jennifer S. Bangle**, Cottage Grove, MN (US); **Joseph M. Kral**, Columbia Heights, MN (US); **Sean D. Regan**, Saint Paul, MN (US)

(73) Assignee: **3M Innovative Properties Company**, Saint Paul, MN (US)

(**) Term: **15 Years**

(21) Appl. No.: **29/664,521**

(22) Filed: **Sep. 26, 2018**

(51) **LOC (12) Cl.** **24-02**

(52) **U.S. Cl.**
USPC **D24/223**

(58) **Field of Classification Search**
USPC D24/127-128, 133, 135, 138, 140, 145,
D24/169, 191, 216-217, 223-225, 227;
D10/81
CPC G01N 33/54366; G01N 27/3274
See application file for complete search history.

(56) **References Cited**

U.S. PATENT DOCUMENTS

D383,550 S * 9/1997 Larson D24/216
D501,560 S * 2/2005 Whyte D24/225
(Continued)

OTHER PUBLICATIONS

Close up of hiv test strip. Blood test results negative. Testing blood hiv test strip. Testing hiv blood. Medical testing strip. Online,

published date unknown. Retrieved on Jan. 24, 2020 from URL: <https://www.shutterstock.com/video/clip-25399895-close-hiv-test-strip-blood-results-negative>.*

Primary Examiner — Susan Bennett Hattan

Assistant Examiner — Omeed Agilee

(74) *Attorney, Agent, or Firm* — 3M Innovative Properties Company; Trisha D. Adamson

(57) **CLAIM**

The ornamental design for an indicator strip, as shown and described.

DESCRIPTION

The specification contains at least one drawing executed in color. Copies of the color drawings will be provided by the Office upon request and payment of the necessary fee.

FIG. 1 is a perspective view showing a new design for an indicator strip;

FIG. 2 is a top view thereof;

FIG. 3 is a bottom view thereof;

FIG. 4 is a right view thereof, the left side view being a mirror image thereof;

FIG. 5 is a rear view thereof;

FIG. 6 is a front view thereof;

FIG. 7 is a perspective view showing the new design for an indicator strip;

FIG. 8 is a top view thereof;

FIG. 9 is a bottom view thereof;

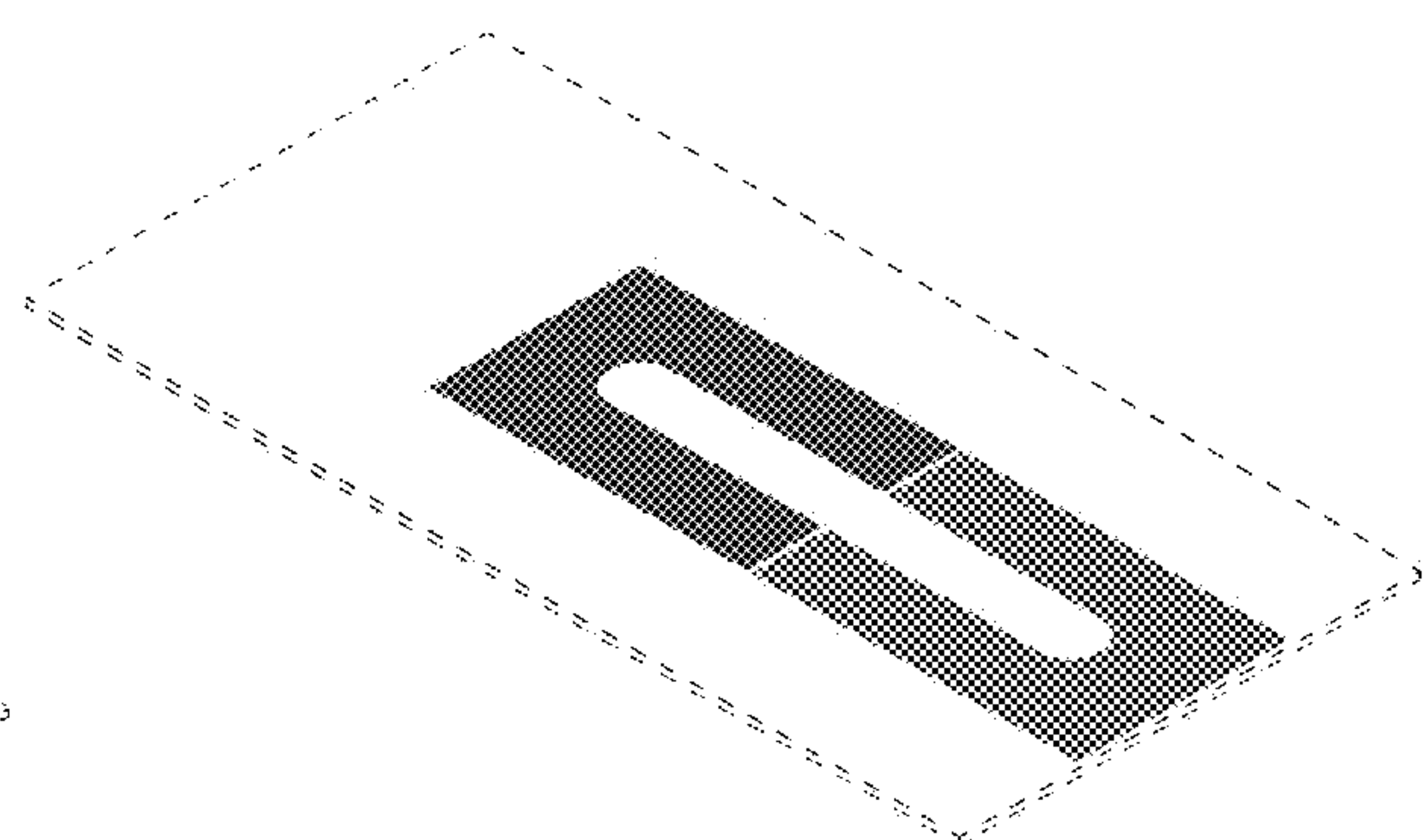
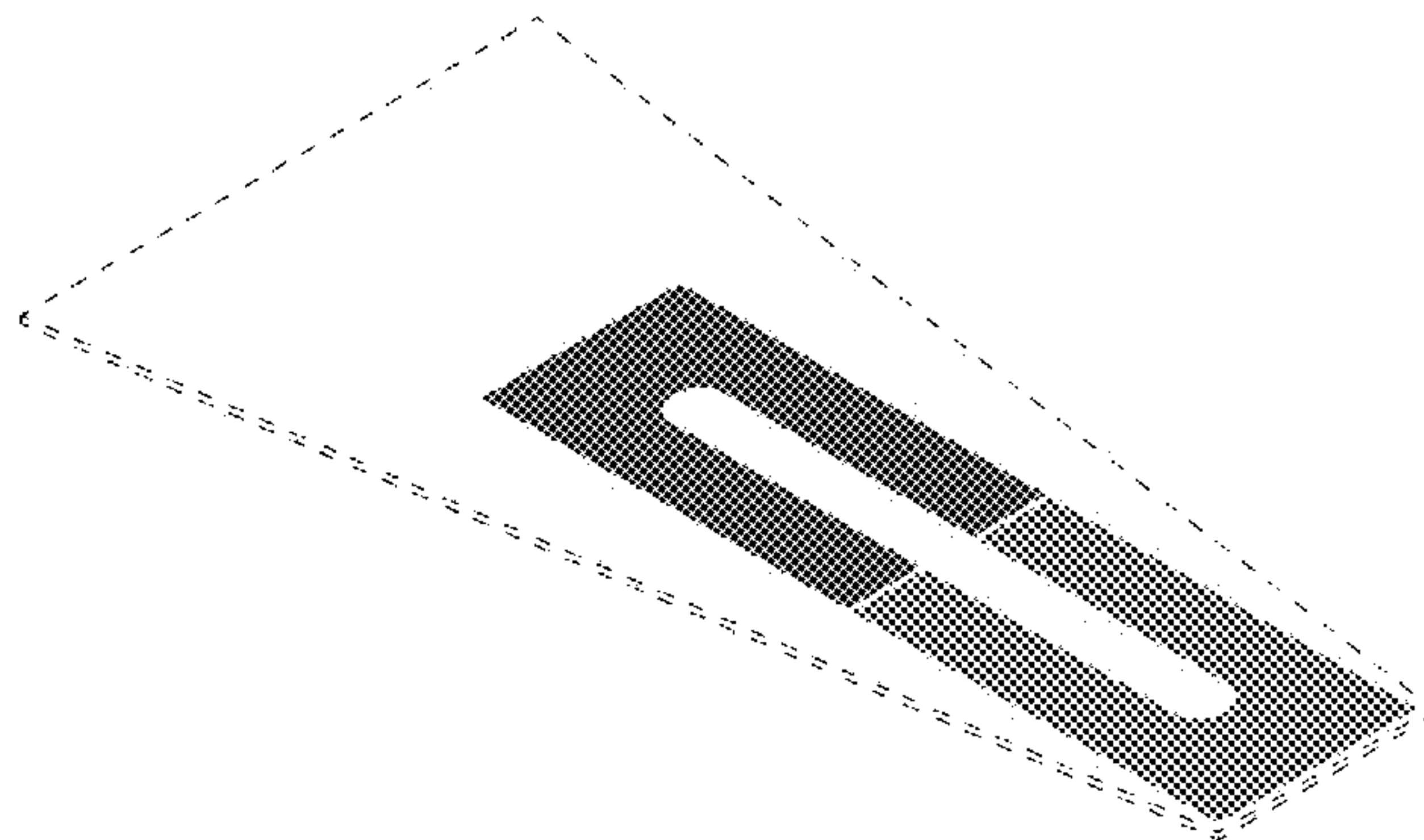
FIG. 10 is a right view thereof, the left side view being a mirror image thereof;

FIG. 11 is a rear view thereof; and,

FIG. 12 is a front view thereof.

The broken lines, the areas within them, and the areas adjacent to the shaded areas on the top surface depict portions of the indicator strip that form no part of the claimed design.

1 Claim, 2 Drawing Sheets
(2 of 2 Drawing Sheet(s) Filed in Color)



(56)

References Cited

U.S. PATENT DOCUMENTS

D572,369 S * 7/2008 Dimmer D24/225
D598,126 S * 8/2009 Alvarez-Icaza D24/225
D600,812 S * 9/2009 Lei D24/169
D694,425 S * 11/2013 Markovsky D24/225
D714,955 S * 10/2014 Markovsky D24/223
2010/0112612 A1* 5/2010 Dilleen C12Q 1/54
435/14
2018/0209971 A1* 7/2018 Pagels G01N 33/54366

* cited by examiner

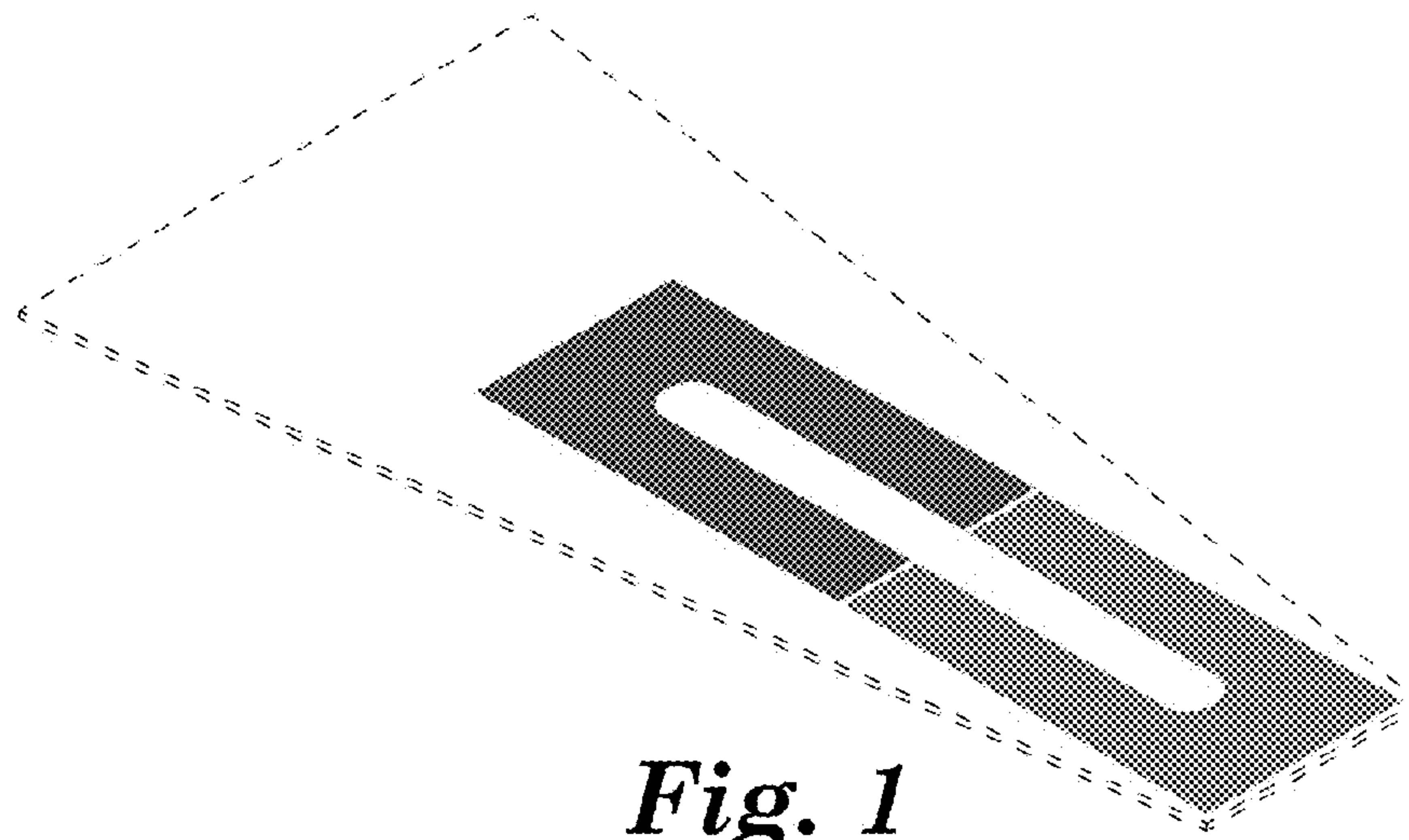


Fig. 1

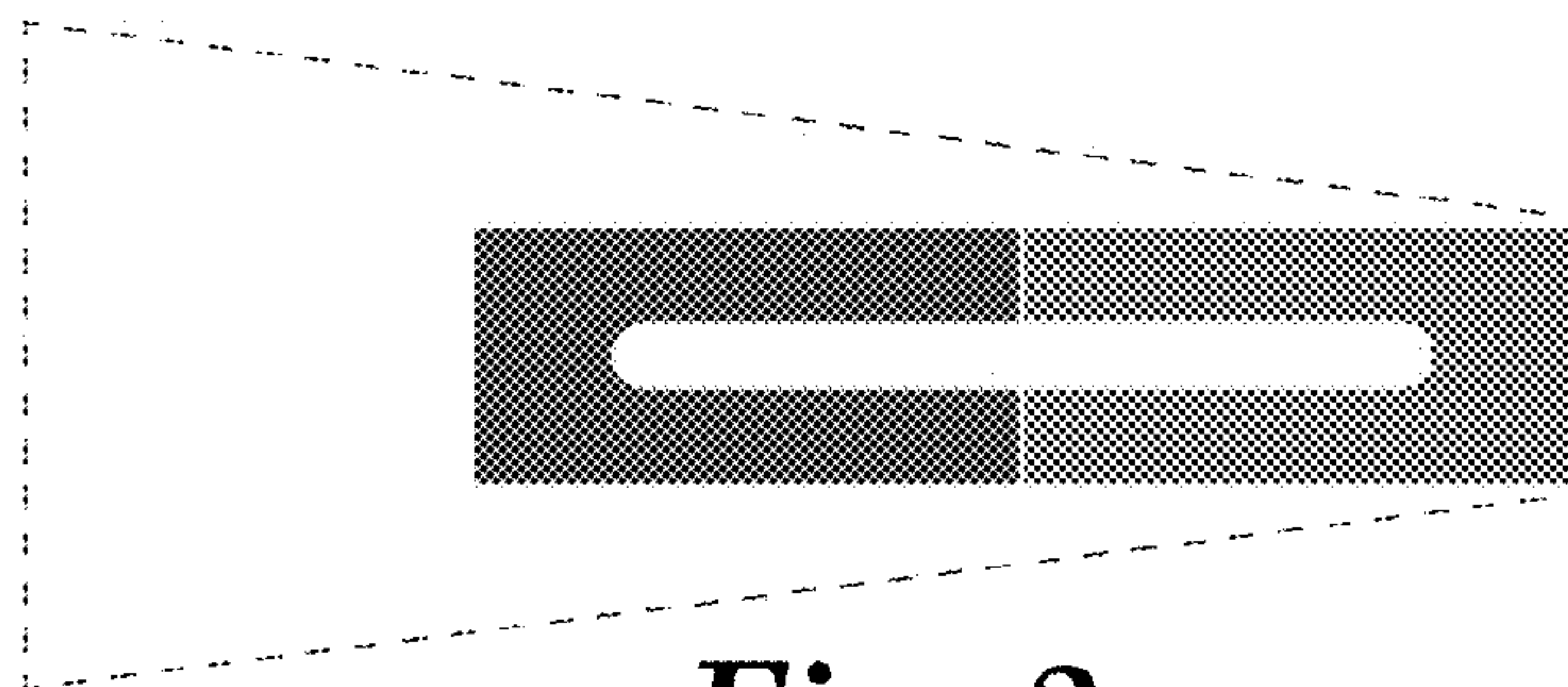


Fig. 2

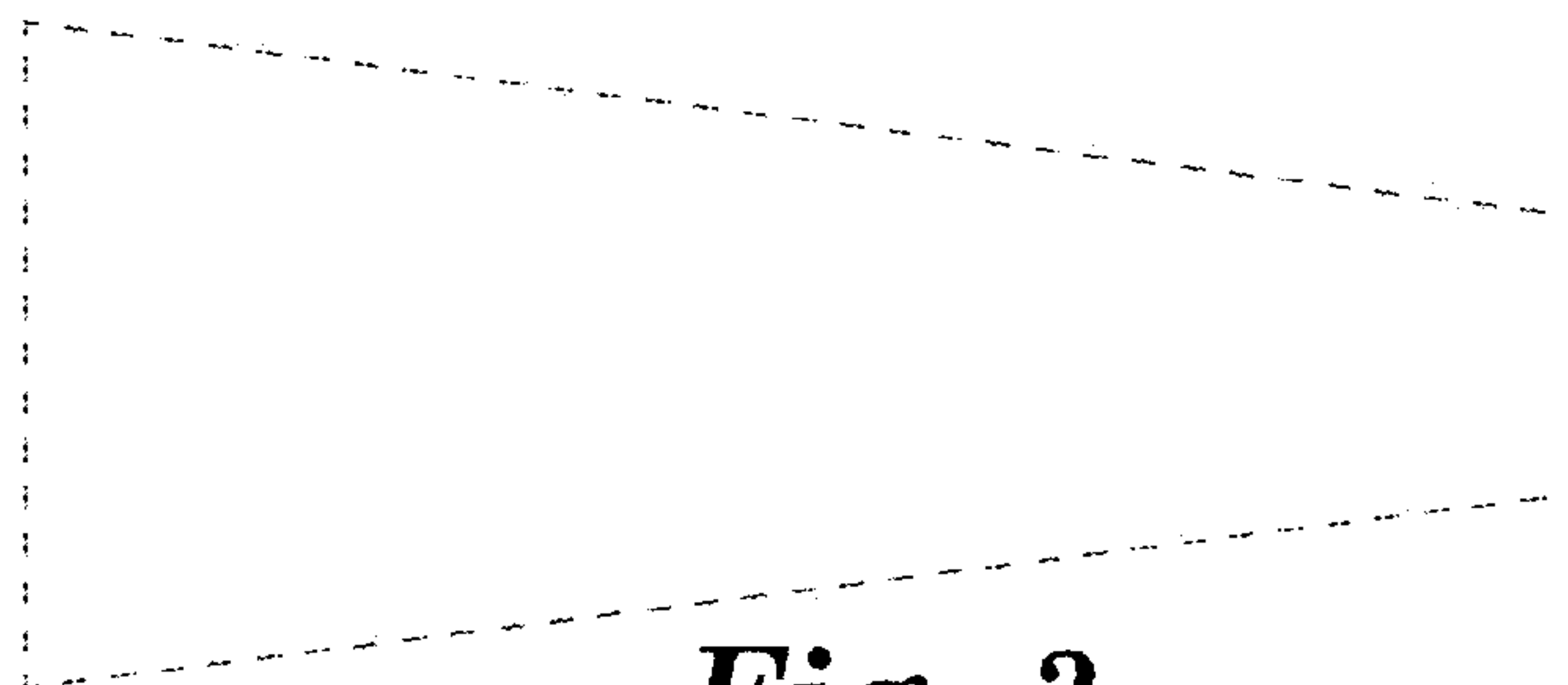


Fig. 3

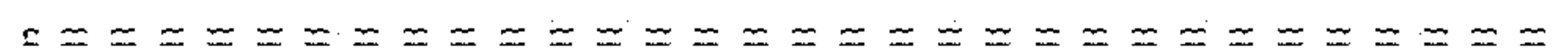


Fig. 4

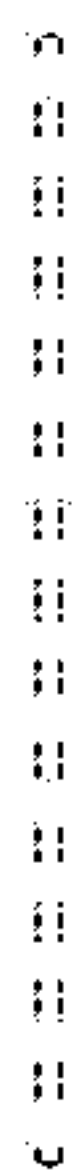


Fig. 5



Fig. 6

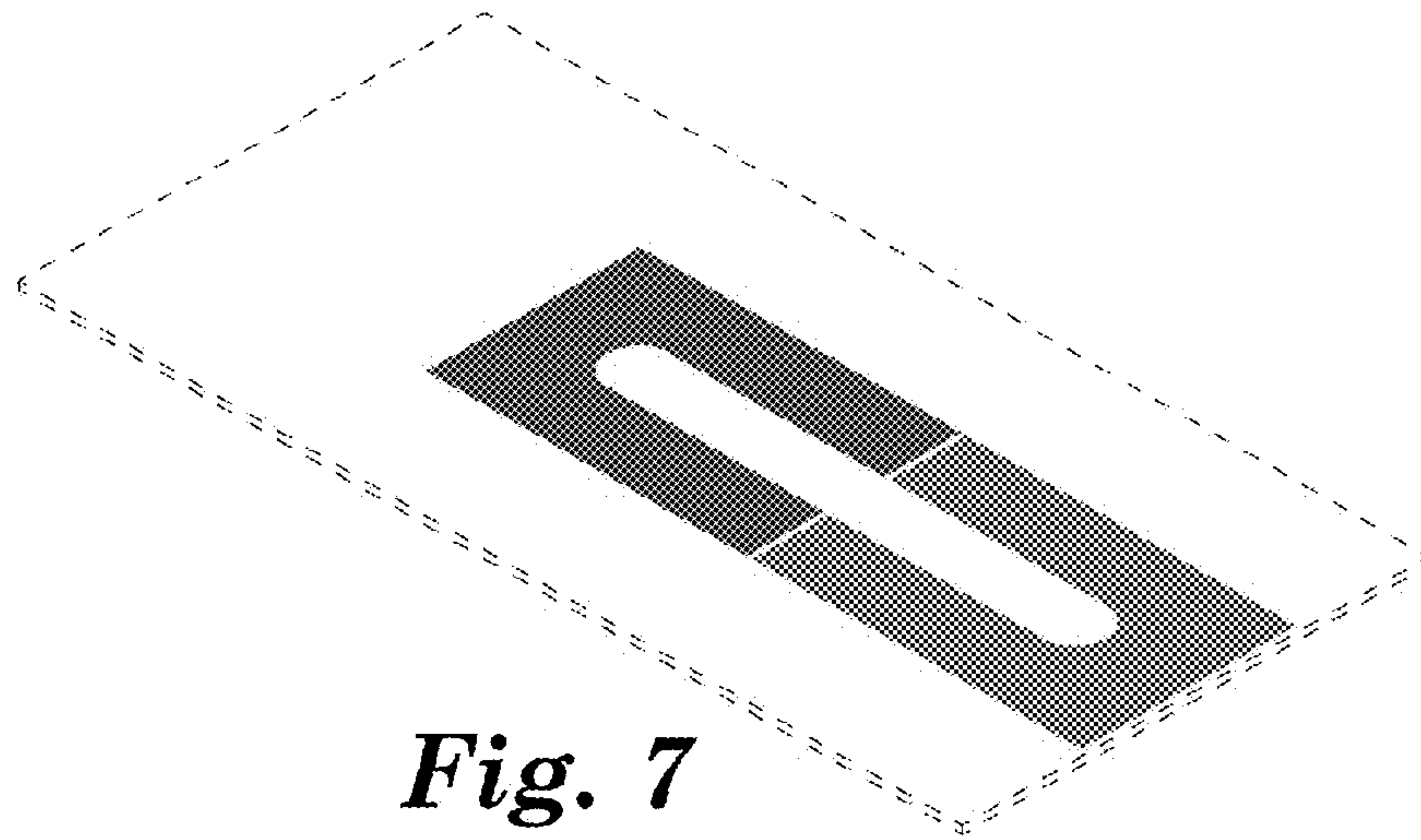


Fig. 7

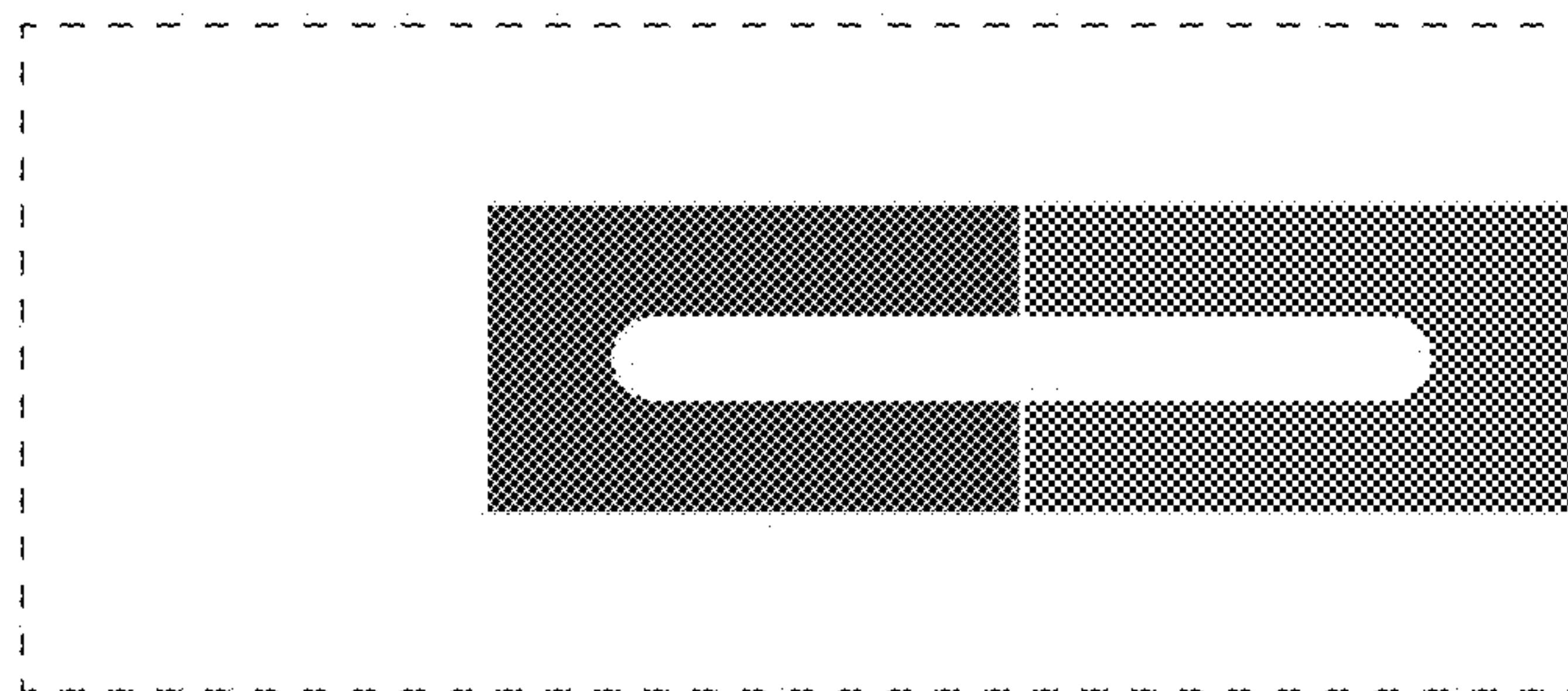


Fig. 8



Fig. 9

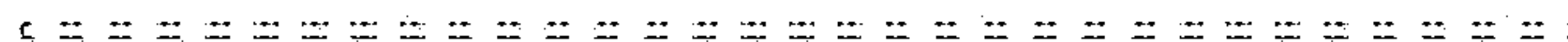


Fig. 10

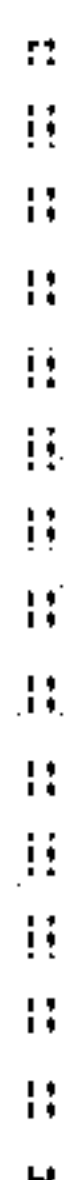


Fig. 11

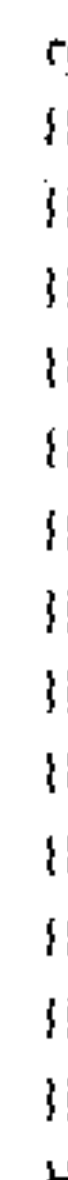


Fig. 12