



US00D887574S

(12) **United States Design Patent** (10) **Patent No.:** **US D887,574 S**
Mizutani et al. (45) **Date of Patent:** **** *Jun. 16, 2020**

(54) **PIPETTE TIP FOR A LABORATORY INSTRUMENT**

D274,652 S * 7/1984 DeVaughn D24/112
D286,570 S 11/1986 Williams
4,707,337 A 11/1987 Jeffs
D297,054 S 8/1988 Williams
D384,418 S 9/1997 Torti et al.
(Continued)

(71) Applicant: **Beckman Coulter, Inc.**, Brea, CA (US)

(72) Inventors: **Takayuki Mizutani**, Edina, MN (US);
Shigeru Fujii, Shizuoka (JP); **Kazuki Umebara**, Shizuoka (JP)

FOREIGN PATENT DOCUMENTS

(73) Assignee: **BECKMAN COULTER, INC.**, Brea, CA (US)

CN 201730660435 12/2017
GB 1018976 A 2/1966
WO 2018081617 A2 5/2018

(*) Notice: This patent is subject to a terminal disclaimer.

OTHER PUBLICATIONS

(**) Term: **15 Years**

Japanese Patent Office; Office Action for Application No. 2017-009426 dated Aug. 30, 2017; 3 pages.

(21) Appl. No.: **29/680,748**

(Continued)

(22) Filed: **Feb. 19, 2019**

Primary Examiner — Vy N Koenig
(74) *Attorney, Agent, or Firm* — McAndrews, Held & Malloy, Ltd.

Related U.S. Application Data

(63) Continuation of application No. 29/582,709, filed on Oct. 28, 2016, now Pat. No. Des. 841,182.

(57) **CLAIM**

(51) **LOC (12) Cl.** **24-02**

The ornamental design for a pipette tip for a laboratory instrument, as shown and described.

(52) **U.S. Cl.**

USPC **D24/222**

DESCRIPTION

(58) **Field of Classification Search**

USPC D24/107, 108, 113, 114, 121, 133, 184,
D24/186, 216, 222, 224, 225, 226, 227,
D24/228, 229, 230, 231, 233

CPC B01F 13/0025; B01J 2219/00292; B01J
2220/64; B01L 3/14; B01L 3/508-50825;
B01L 3/52-523

See application file for complete search history.

FIG. 1 is a perspective view of the pipette tip for a laboratory instrument;
FIG. 2 is a front view thereof;
FIG. 3 is a rear view thereof;
FIG. 4 is a right side view thereof;
FIG. 5 is a left side view thereof;
FIG. 6 is a top view thereof;
FIG. 7 is a bottom view thereof; and,
FIG. 8 is a cross sectional view taken along line 8-8 shown in FIG. 6.

The dashed lines in the drawings represent portions of the pipette tip for a laboratory instrument that form no part of the claimed design.

(56) **References Cited**

U.S. PATENT DOCUMENTS

D198,263 S 5/1964 Tietje
D204,352 S 4/1966 Eizenberg
D255,601 S 6/1980 De Vaughn
D256,052 S 7/1980 De Vaughn

1 Claim, 4 Drawing Sheets



(56)

References Cited

U.S. PATENT DOCUMENTS

5,851,491 A 12/1998 Moulton
 D414,562 S 9/1999 Tajima
 D416,625 S * 11/1999 Torti D24/222
 D437,940 S 2/2001 Rainin
 D438,981 S 3/2001 Rainin
 D439,986 S * 4/2001 Petrek D24/222
 D441,458 S 5/2001 Petrek
 D446,864 S 8/2001 Petrek
 D448,853 S 10/2001 Rainin et al.
 D461,904 S 8/2002 Petrek
 D465,853 S 11/2002 Petersen
 D468,024 S 12/2002 Petrek
 D468,440 S 1/2003 Petrek
 D468,832 S 1/2003 Petrek
 D487,593 S 3/2004 Sarna
 D560,815 S * 1/2008 Tajima D24/222
 D601,712 S 10/2009 Tajima
 D663,042 S 7/2012 Motadel
 D679,826 S 4/2013 Ziegmann et al.
 D679,828 S 4/2013 Motadel
 D680,226 S 4/2013 Motadel et al.
 D687,562 S 8/2013 Motadel et al.
 8,524,170 B2 * 9/2013 Petrek B01L 3/022
 422/500
 D703,344 S 4/2014 Herbst et al.
 8,828,331 B2 * 9/2014 Tajima B01L 3/0275
 422/501
 9,156,030 B2 10/2015 Beese

9,346,045 B2 5/2016 Blumentritt et al.
 D788,314 S 5/2017 Ando et al.
 D841,182 S 2/2019 Mizutani
 D847,367 S 4/2019 Trump
 2002/0009809 A1 1/2002 Brewer
 2006/0171851 A1 8/2006 Motadel
 2007/0231215 A1 10/2007 Mototsu et al.
 2011/0036185 A1 * 2/2011 Petrek B01L 3/0224
 73/864.18
 2011/0183433 A1 7/2011 Motadel et al.
 2011/0259443 A1 * 10/2011 Preschutti A01N 25/00
 137/343

OTHER PUBLICATIONS

Japanese Patent Office Design Division Known Document No. HJ23077729; Internet Confirmation date of publication (publicly-known date): Mar. 5, 2012 Receipt date: Mar. 9, 2012; Publisher: VWR Scientific Products; [https:// media.vwr.com/stibo/low_res/4672085.jp](https://media.vwr.com/stibo/low_res/4672085.jp); 1 page.
 Puntas para micropipeta. [online] Retrieved Jun. 21, 2018 from URL: <https://www.velaquin.com.mx/products/puntas-para-micropipeta?variant=31262261313>.
 Finntip Filtered Pipette Tips. [online] Retrieved Jun. 21, 2018 from URL: <https://www.thermofisher.com/order/catalog/product/94052000>.
 Mizutani, Takayuki et al, Design U.S. Appl. No. 29/645,493 for Pipette Tip for a Laboratory Instrument, filed Apr. 26, 2018.

* cited by examiner

FIG. 1

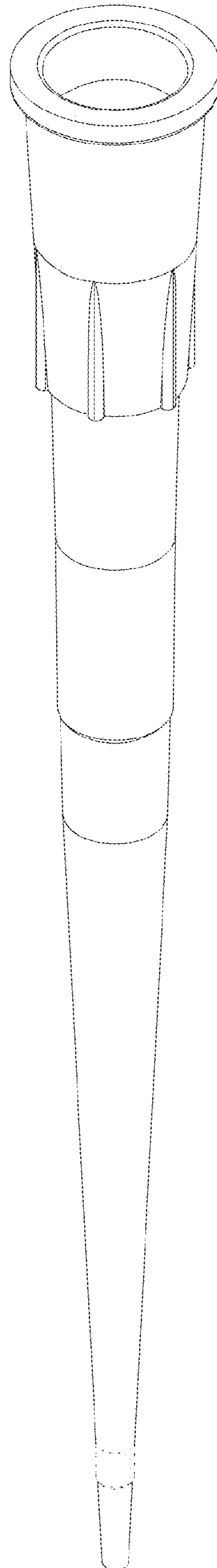


FIG. 2

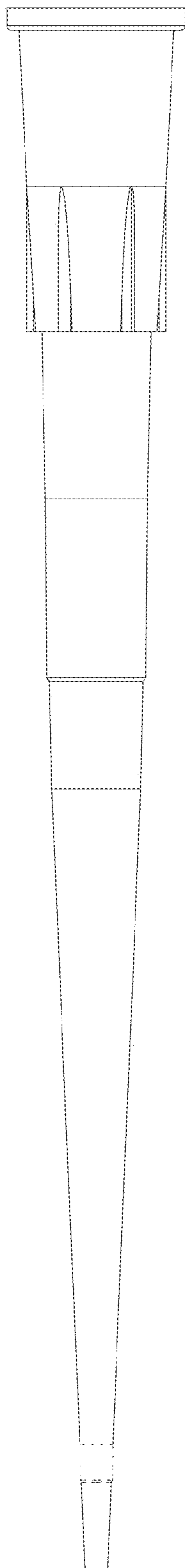


FIG. 3

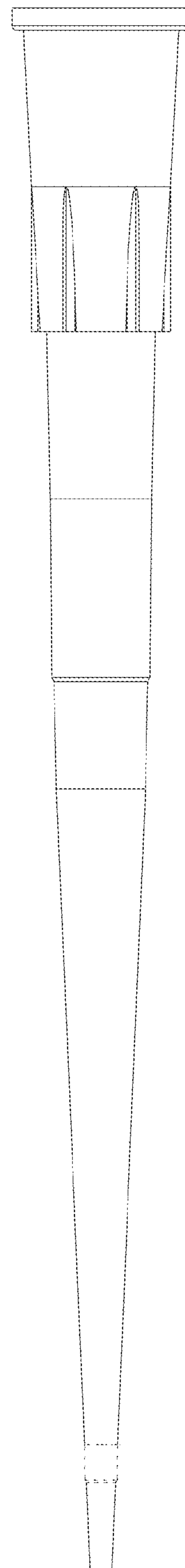


FIG. 4

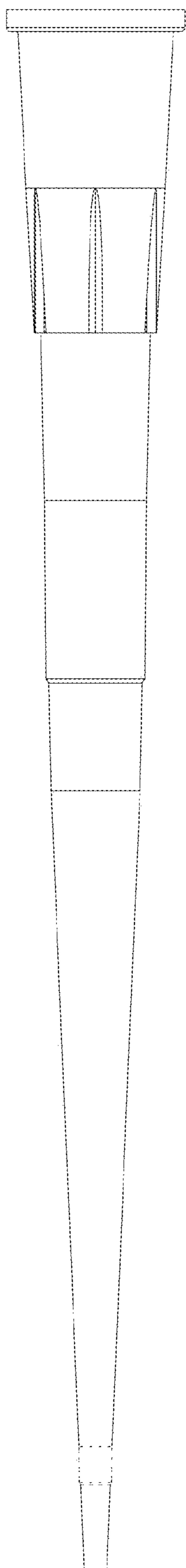


FIG. 5

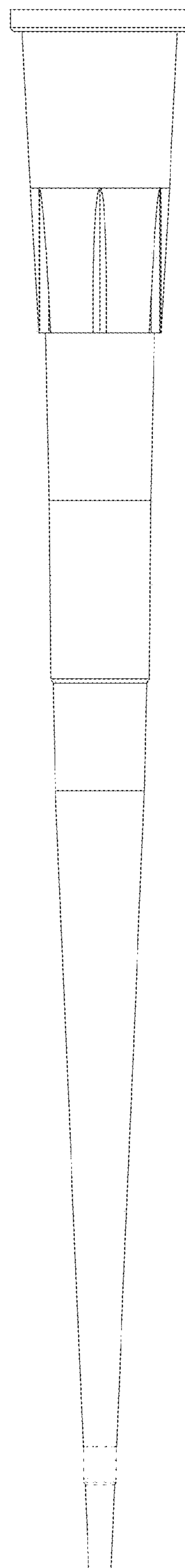


FIG. 6

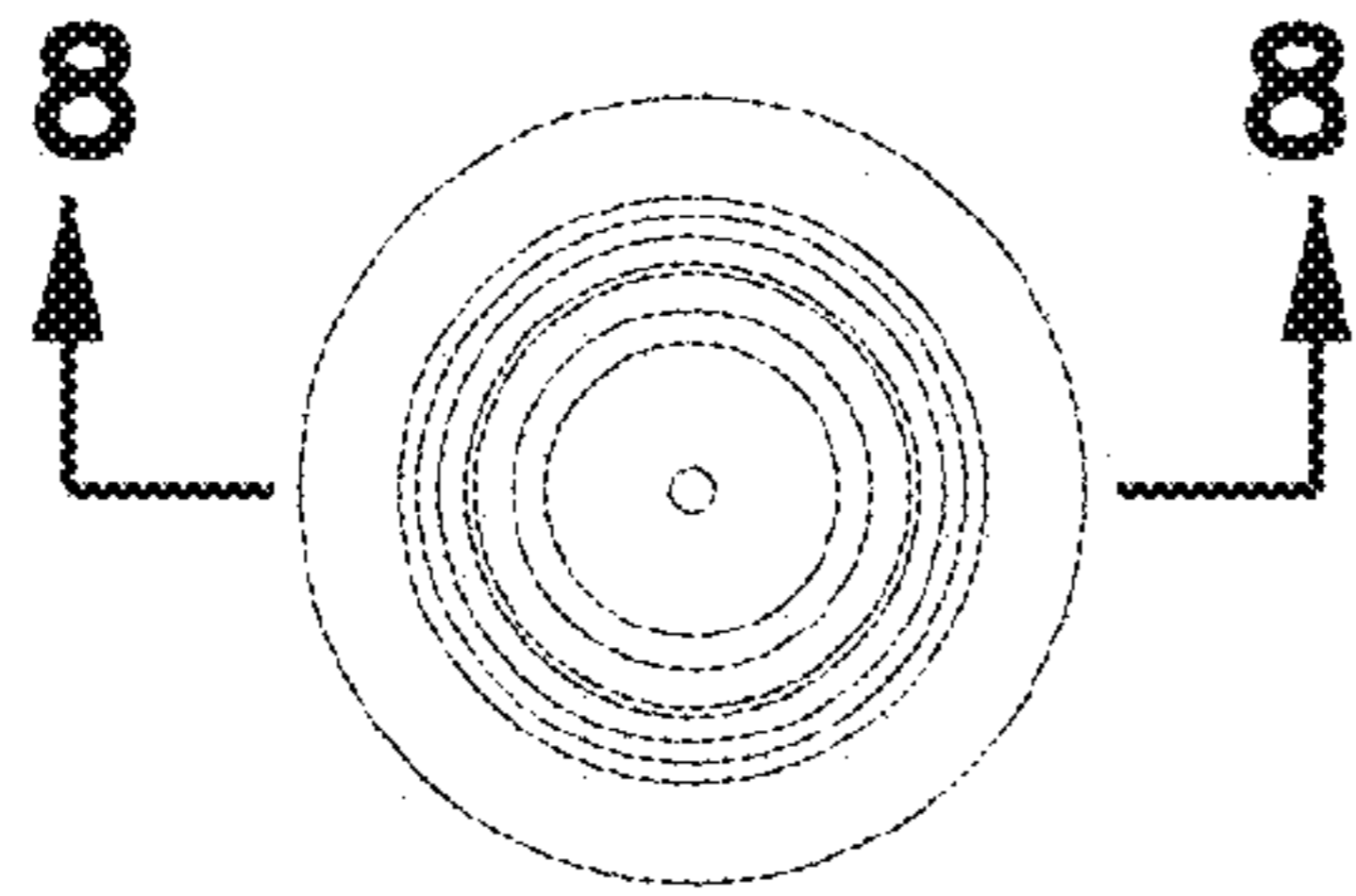


FIG. 8

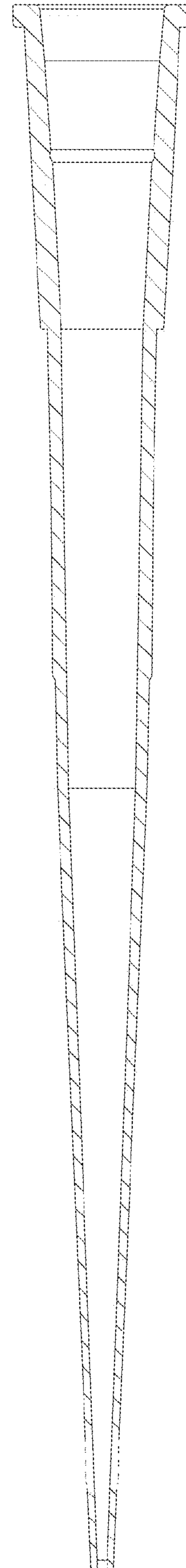


FIG. 7

