



US00D887573S

(12) **United States Design Patent**
Wersland et al.

(10) **Patent No.:** **US D887,573 S**
(45) **Date of Patent:** **** Jun. 16, 2020**

- (54) **PERCUSSIVE MASSAGE DEVICE**
- (71) Applicant: **Theragun, Inc.**, Beverly Hills, CA (US)
- (72) Inventors: **Jason Wersland**, Manhattan Beach, CA (US); **Benjamin Nazarian**, Beverly Hills, CA (US); **Jaime Sanchez Solana**, Los Angeles, CA (US); **Trent Hernandez**, Los Angeles, CA (US); **Rene Oehlerking**, Los Angeles, CA (US); **Dennis Matthew Puhalla**, Chicago, IL (US); **Jillian Tackaberry**, Chicago, IL (US); **Gary Paulsen**, Chicago, IL (US)

- 3,435,194 A 3/1969 Dverin
- 3,968,789 A 7/1976 Simoncini
- 4,691,693 A 9/1987 Sato
- 4,989,613 A 2/1991 Finkenberg
- D329,291 S 9/1992 Wollman
- D329,292 S 9/1992 Wollman
- D331,467 S 12/1992 Wollman
- D388,175 S 12/1997 Lie
- 5,925,002 A 7/1999 Wollman
- D430,938 S 9/2000 Lee
- D448,852 S 10/2001 Engelen
- 6,401,289 B1 6/2002 Herbert

(Continued)

- (73) Assignee: **THERAGUN, INC.**, Beverly Hills, CA (US)
- (**) Term: **15 Years**
- (21) Appl. No.: **29/719,072**
- (22) Filed: **Dec. 31, 2019**

OTHER PUBLICATIONS

Amazon, "Theragun G3PRO Percussive Therapy Device", Feb. 13, 2019. https://www.amazon.com/dp/B07MJ2MCT3/ref=nav_timeline_asin?_encoding=UTF8&psc=1. Shown on p. 1. (Year: 2019).

Primary Examiner — Cynthia Ramirez
Assistant Examiner — Michael A Maharajh
(74) *Attorney, Agent, or Firm* — Jeffer Mangels; Butler & Mitchell LLP; Brennan C. Swain, Esq.

Related U.S. Application Data

- (62) Division of application No. 29/674,838, filed on Dec. 26, 2018, now Pat. No. Des. 880,715.
- (51) **LOC (12) Cl.** **28-03**
- (52) **U.S. Cl.**
USPC **D24/215**
- (58) **Field of Classification Search**
USPC D24/133, 200, 211, 212, 213, 214, 215;
D8/14.1
CPC .. A61H 23/0254; A61H 1/008; A61H 23/006;
A61H 7/007
See application file for complete search history.

(57) **CLAIM**

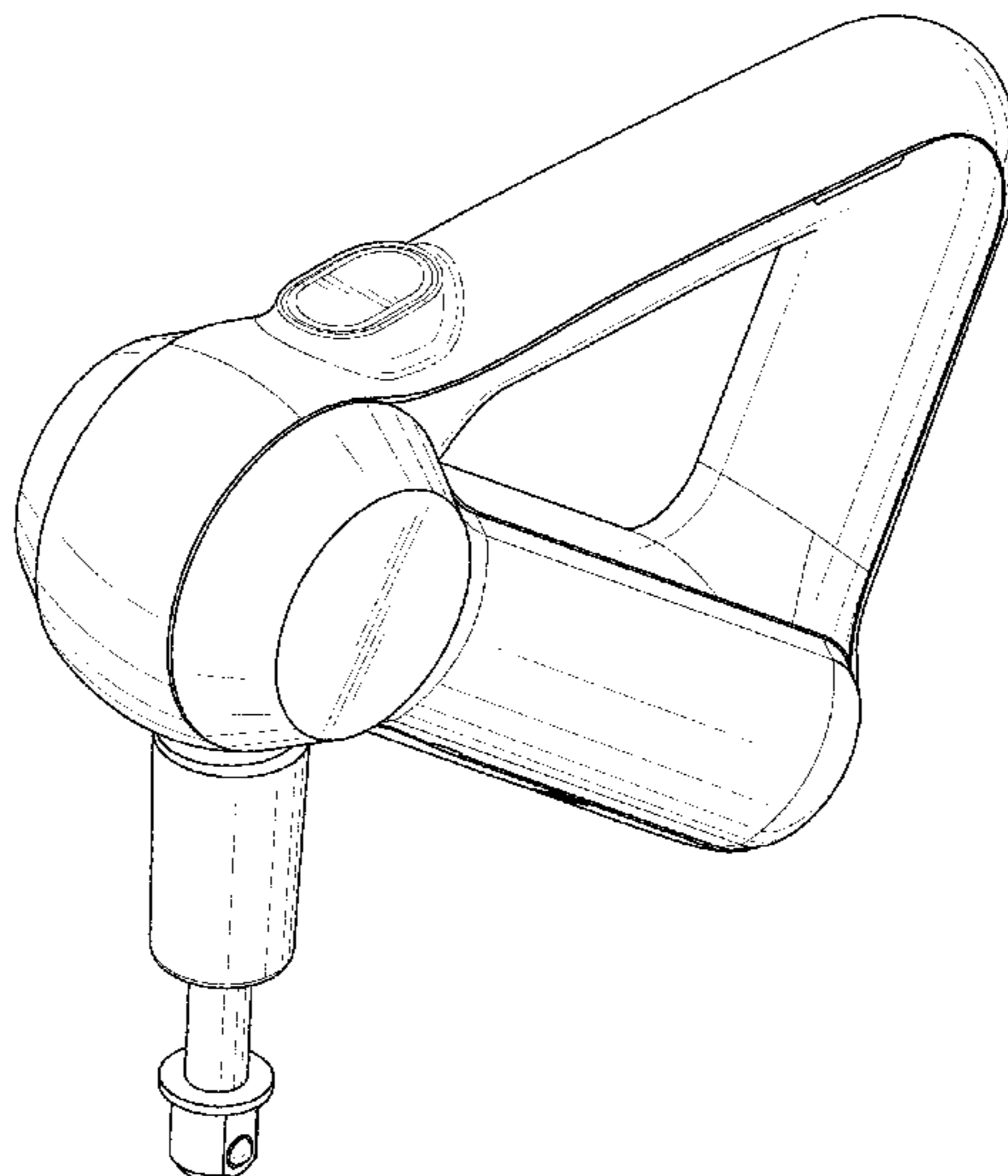
The ornamental design for a percussive massage device, as shown and described.

DESCRIPTION

FIG. 1 is a top perspective view of a percussive massage device, showing our new design;
FIG. 2 is a right side elevational view, the left side elevational view being a mirror image thereof;
FIG. 3 is a front elevational view;
FIG. 4 is a rear elevational view;
FIG. 5 is a top plan view;
FIG. 6 is a bottom plan view; and,
FIG. 7 is a bottom perspective view.

- (56) **References Cited**
U.S. PATENT DOCUMENTS
1,594,636 A 8/1926 Smith
1,784,301 A 12/1930 Mekler

1 Claim, 5 Drawing Sheets



(56)

References Cited

U.S. PATENT DOCUMENTS

D476,746 S	7/2003	Harris	D847,362 S	4/2019	Tang
D531,733 S	11/2006	Burout, III	D847,364 S	4/2019	Lee
D553,252 S	10/2007	Masuda	D847,990 S	5/2019	Kimball
D606,192 S	12/2009	Summerer	10,314,762 B1	6/2019	Marton
D649,657 S	11/2011	Petersen	10,357,425 B2 *	7/2019	Wersland A61H 15/0085
D658,759 S	5/2012	Marescaux	D855,822 S	8/2019	Marton
D703,337 S	4/2014	Fuhr	D866,790 S *	11/2019	Lee D24/215
D706,433 S	6/2014	Fuhr	D872,869 S *	1/2020	Lu D24/215
D708,742 S	7/2014	Dallemagne	2002/0177795 A1	11/2002	Frye
D734,863 S	7/2015	Hennessey	2002/0188233 A1	12/2002	Denyes
D735,348 S	7/2015	Hennessey	2003/0195443 A1	10/2003	Miller
D759,237 S	6/2016	Heath	2005/0131461 A1	6/2005	Tucek
D759,238 S	6/2016	Heath	2006/0116614 A1	6/2006	Jones
D763,442 S	8/2016	Price	2006/0211961 A1	9/2006	Meyer
D778,439 S	2/2017	Hakansson	2010/0145242 A1	6/2010	Tsai
D819,221 S	5/2018	Lei	2010/0160841 A1	6/2010	Wu
D823,478 S	7/2018	Park	2010/0274162 A1	10/2010	Evans
D837,395 S	1/2019	Gan	2012/0197357 A1	8/2012	Dewey
D838,378 S	1/2019	Cao	2013/0030506 A1	1/2013	Bartolone
D840,547 S	2/2019	Harle	2014/0221887 A1	8/2014	Wu
D842,491 S	3/2019	Fleming	2015/0119771 A1	4/2015	Roberts
D843,656 S	3/2019	Zhang	2018/0154141 A1	6/2018	Ahn
D844,896 S	4/2019	Levi	2018/0200141 A1	7/2018	Wersland
			2019/0175434 A1	6/2019	Zhang
			2019/0254921 A1	8/2019	Marton
			2019/0254922 A1	8/2019	Marton

* cited by examiner

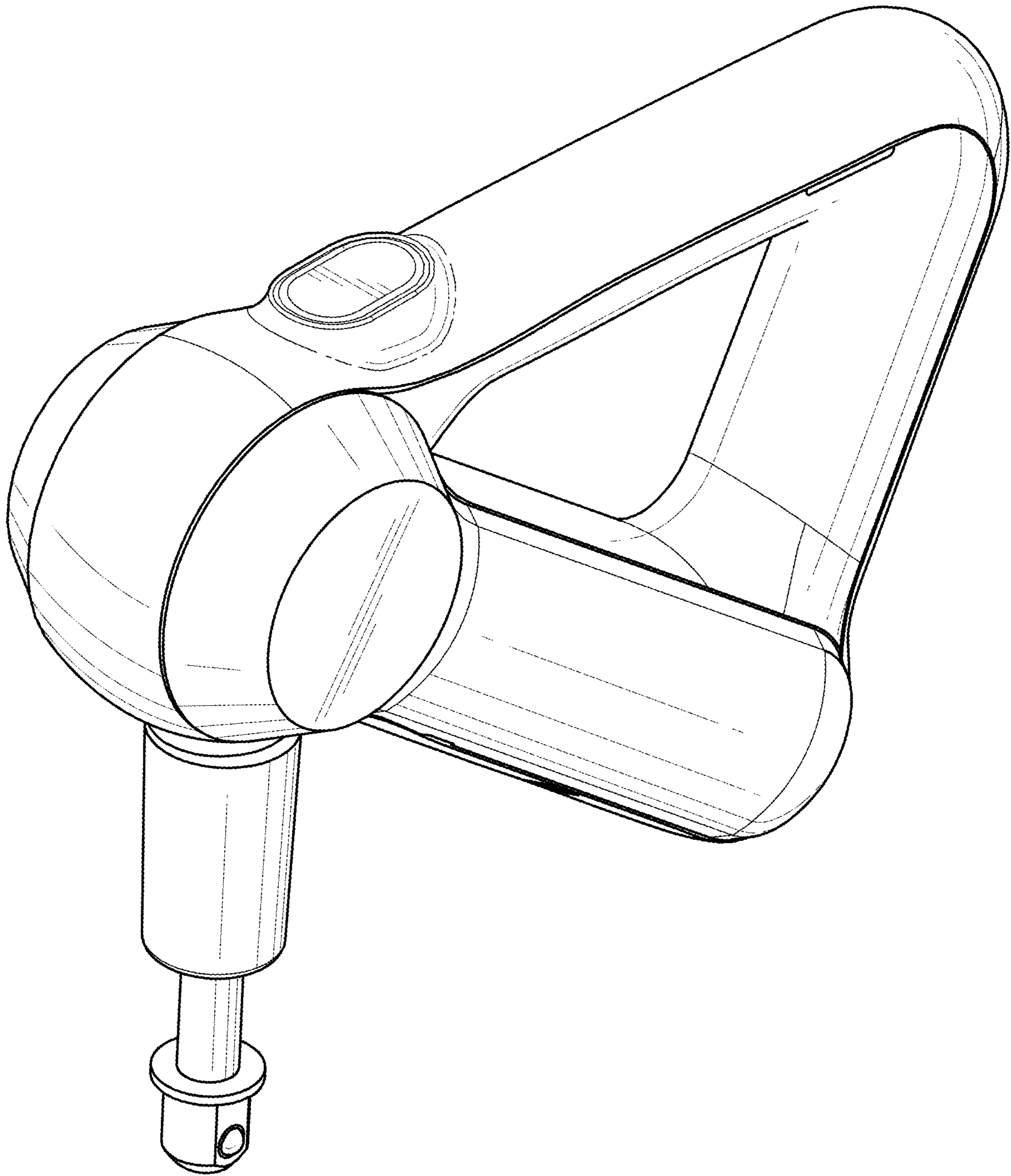


FIG. 1

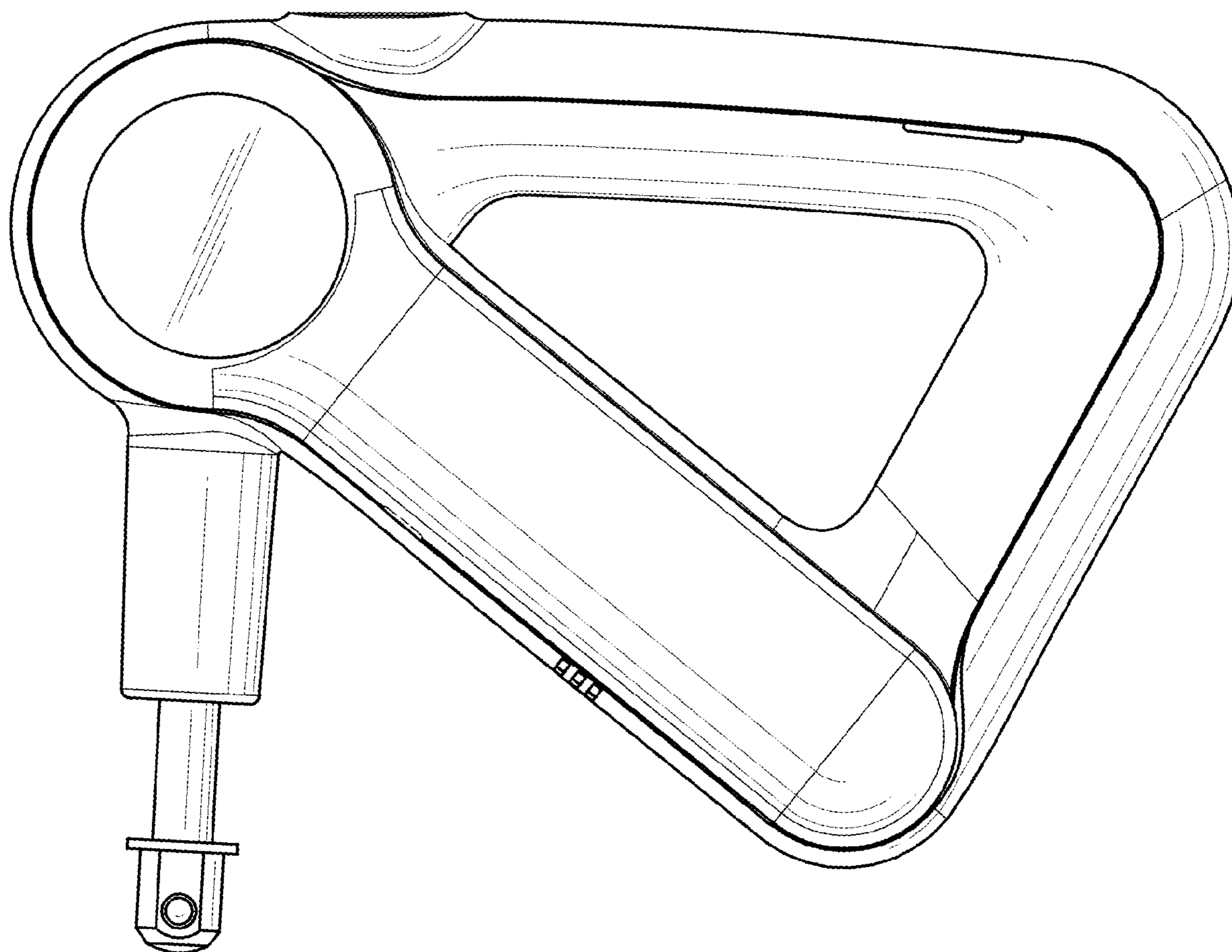


FIG. 2

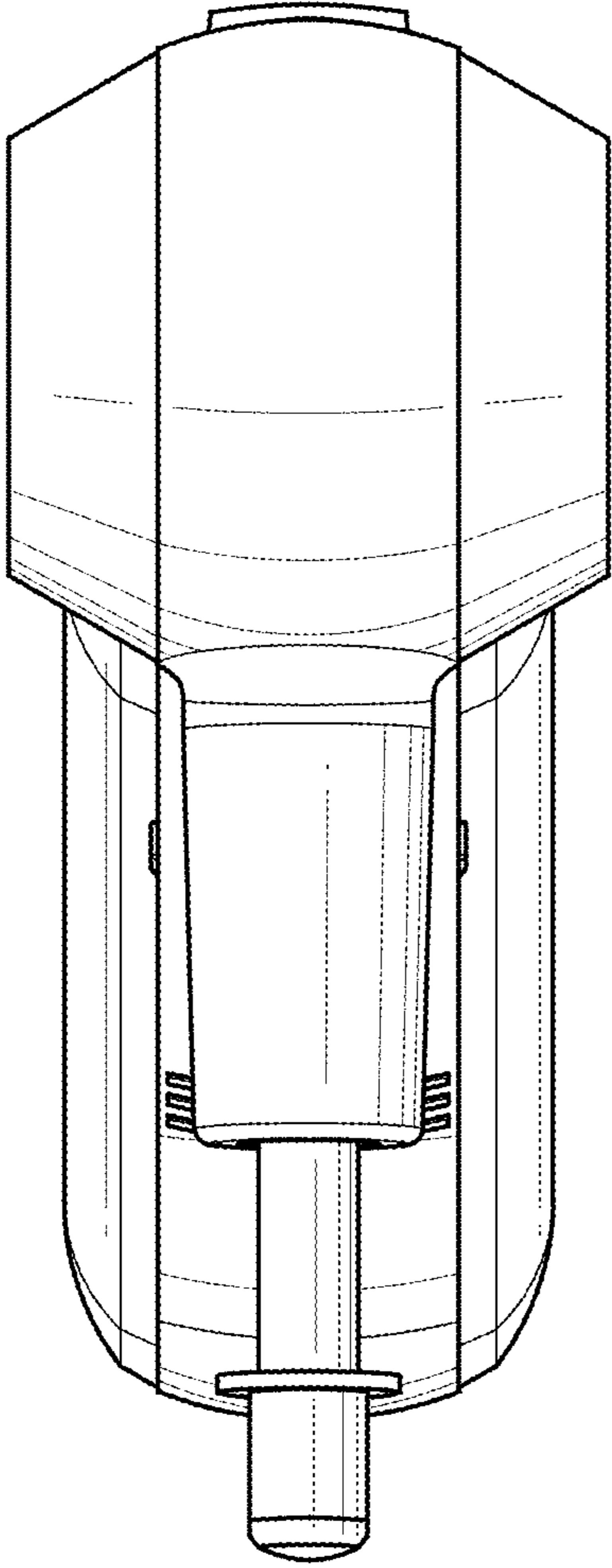


FIG. 3

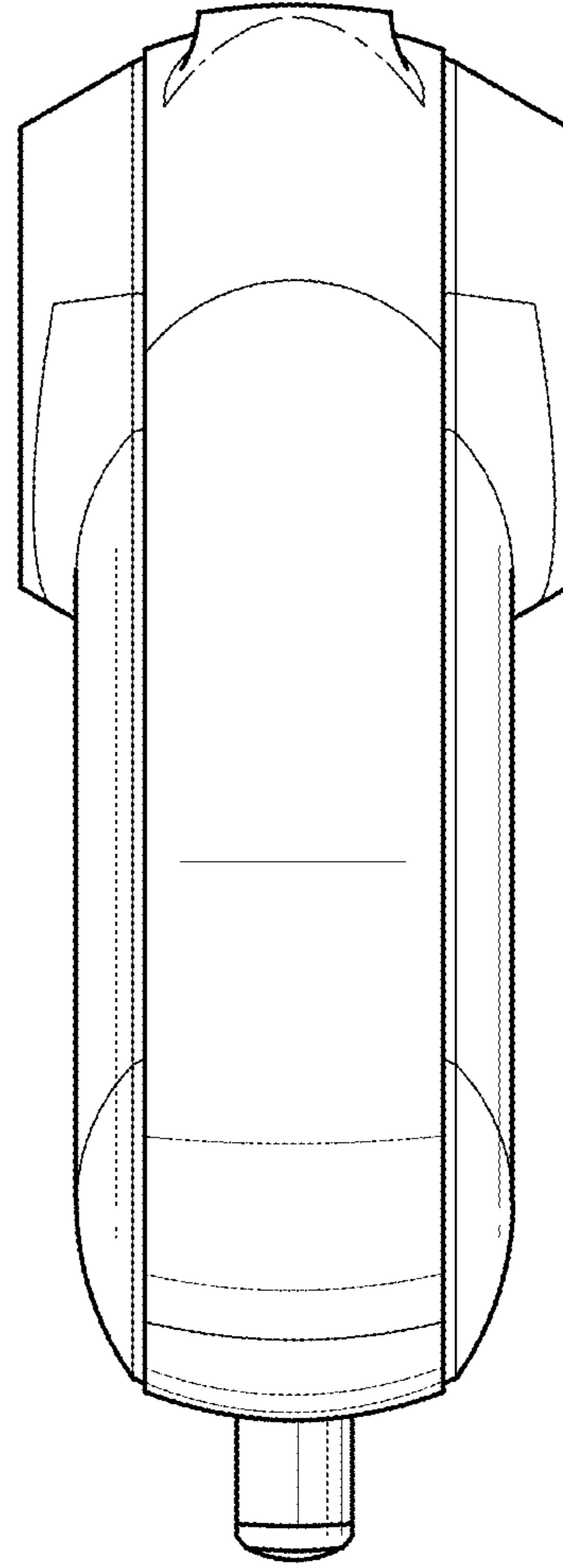


FIG. 4

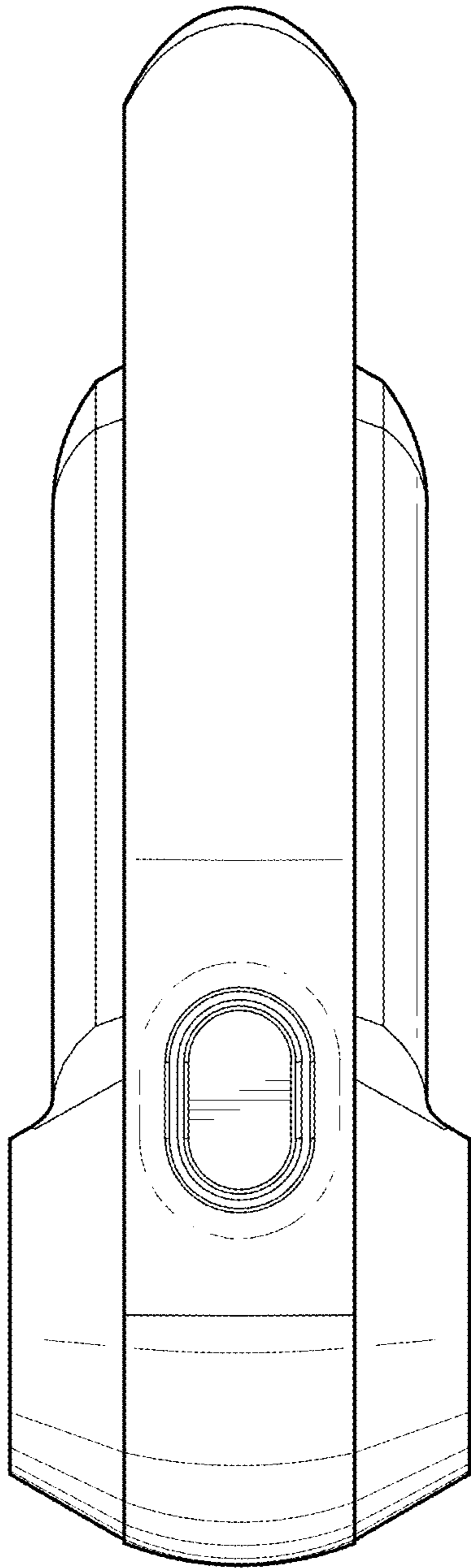


FIG. 5

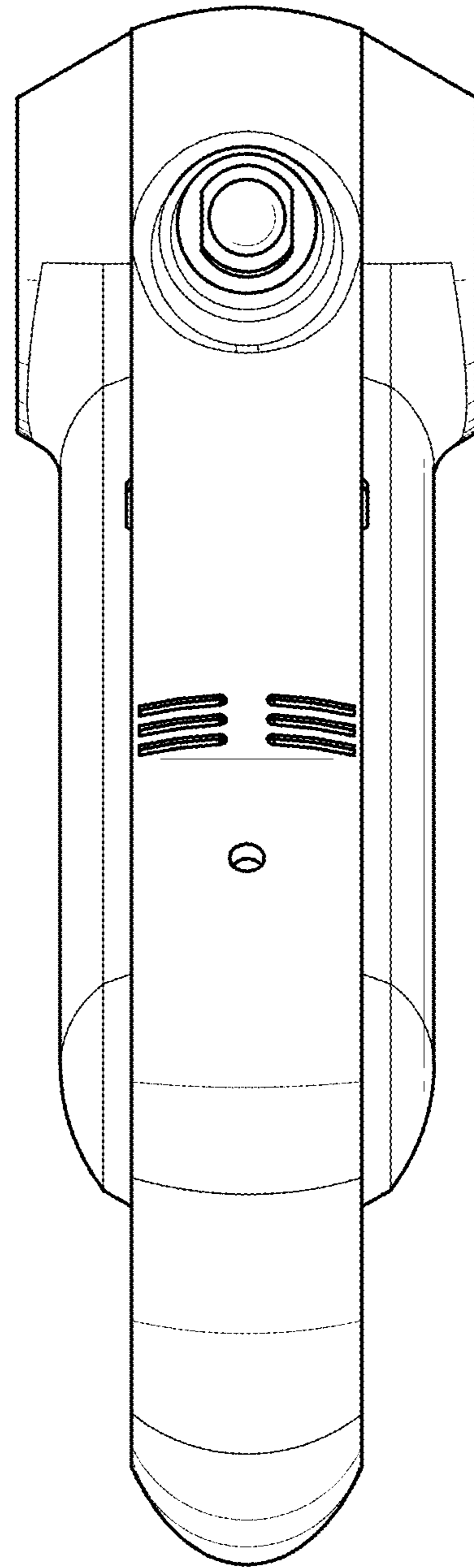


FIG. 6

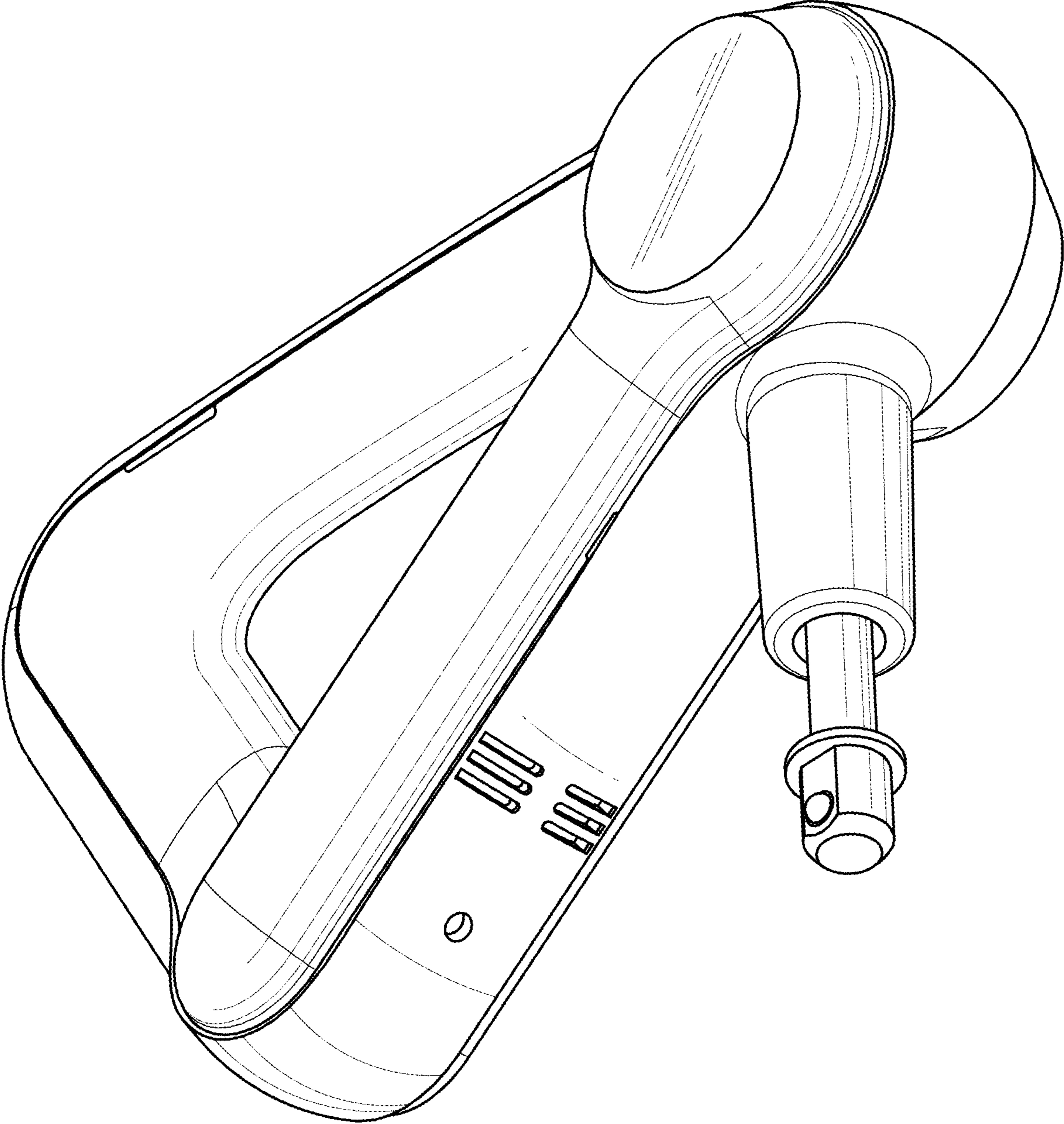


FIG. 7