



US00D887571S

(12) **United States Design Patent**
Liu

(10) **Patent No.:** **US D887,571 S**
(45) **Date of Patent:** **** Jun. 16, 2020**

(54) **PHOTON BEAUTY INSTRUMENT**

D704,851 S * 5/2014 Douglas D24/209
D711,538 S * 8/2014 Youngquist D24/158
D773,676 S * 12/2016 Gufler D24/200

(71) Applicant: **Dongguan Lescolton Intelligent Electrical Appliance Co., Ltd**,
Dongguan, Guangdong (CN)

* cited by examiner

(72) Inventor: **Jianwen Liu**, Jiangxi (CN)

Primary Examiner — Anhdao Doan
(74) *Attorney, Agent, or Firm* — ZanIP

(**) Term: **15 Years**

(21) Appl. No.: **29/711,607**

(22) Filed: **Nov. 1, 2019**

(51) **LOC (12) Cl.** **28-03**

(52) **U.S. Cl.**
USPC **D24/209**

(58) **Field of Classification Search**
USPC D24/107, 186, 200, 209, 210, 231;
D28/9, 44.1
CPC A61N 5/062; A61N 5/0616; A61N 5/0618;
A61N 2005/0629; A61N 2005/0636;
A61N 2005/064; A61N 2005/0643; A61N
2005/0644; A61N 2005/0659; A61N
2005/0662; A61N 2005/0663; A61B
2018/00452; A61B 2018/1807
See application file for complete search history.

(56) **References Cited**

U.S. PATENT DOCUMENTS

D618,816 S * 6/2010 Kubicki D24/209
D652,920 S * 1/2012 Sherwood D24/133
D660,974 S * 5/2012 Jones D24/209
D666,290 S * 8/2012 Jones D24/133
D687,156 S 7/2013 Yamamoto et al.

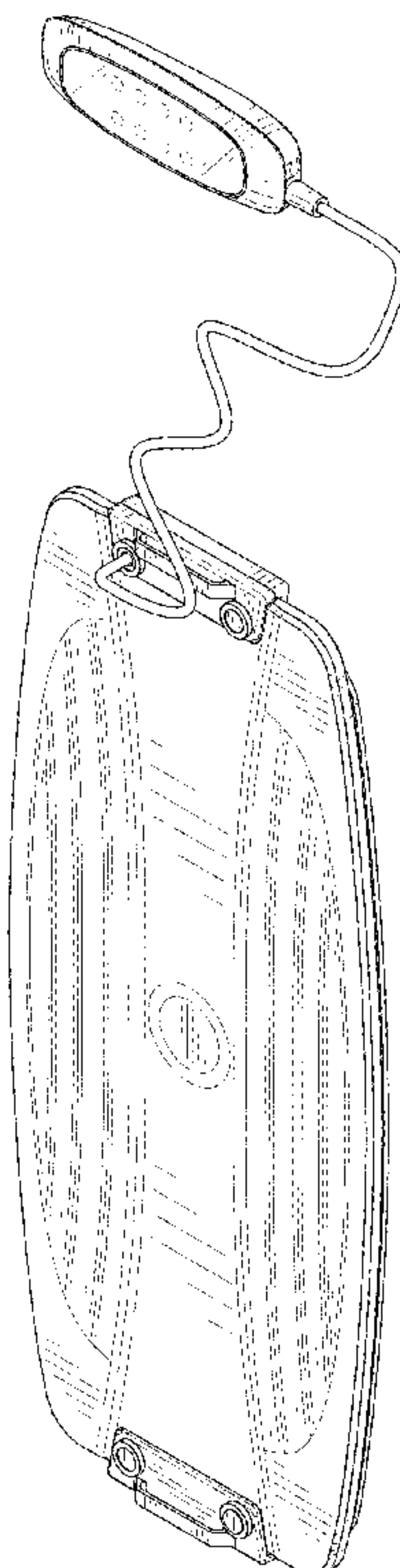
(57) **CLAIM**

The ornamental design for a photon beauty instrument, as shown and described.

DESCRIPTION

FIG. 1 is a front and top perspective view of a photon beauty instrument, showing my new design;
FIG. 2 is a rear and bottom perspective view thereof;
FIG. 3 is a front elevational view thereof;
FIG. 4 is a rear elevational view thereof;
FIG. 5 is a left side elevational view thereof;
FIG. 6 is a right side elevational view thereof;
FIG. 7 is a top plan view thereof;
FIG. 8 is a bottom plan view thereof;
FIG. 9 is an enlarged view of a portion indicated in FIG. 5;
FIG. 10 is an enlarged view of a portion indicated in FIG. 6;
FIG. 11 is an enlarged view of a portion indicated in FIG. 7;
and,
FIG. 12 is an enlarged view of a portion indicated in FIG. 8.
The broken lines in the figures illustrate portions of the photon beauty instrument that form no part of the claimed design.

1 Claim, 12 Drawing Sheets



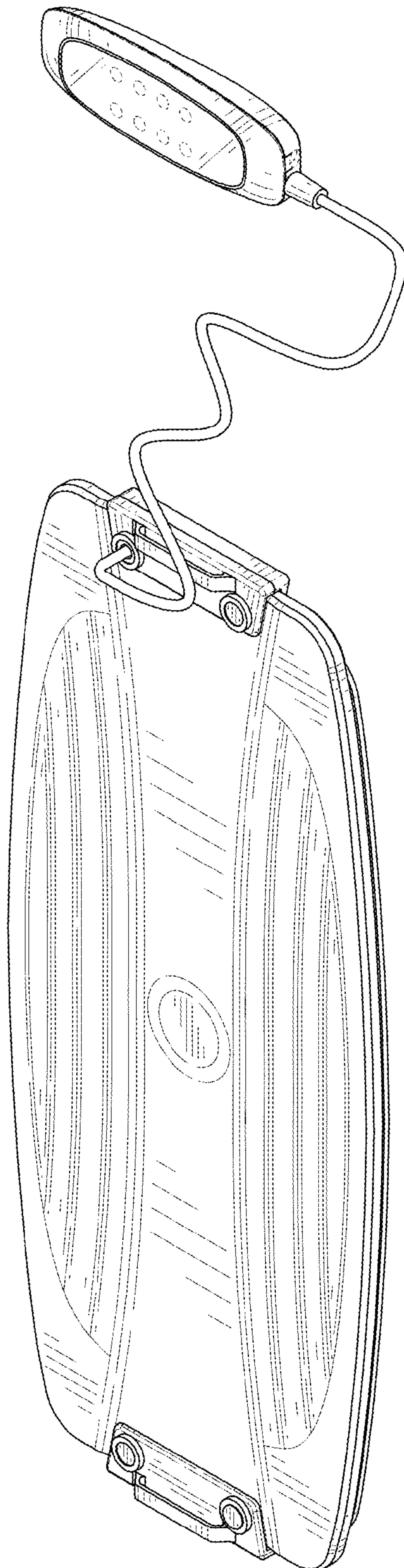


FIG. 1

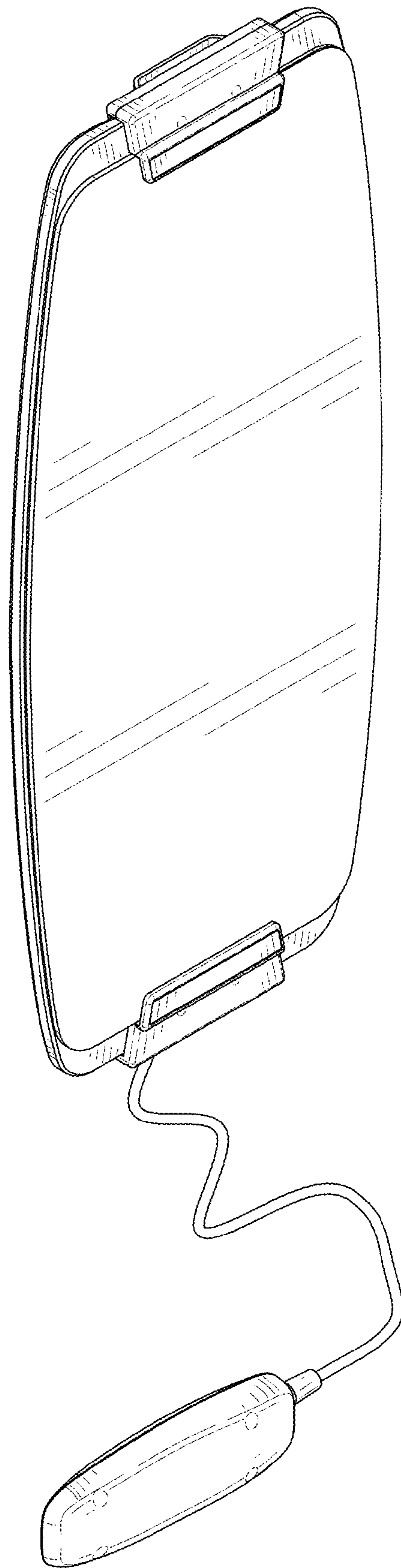


FIG. 2

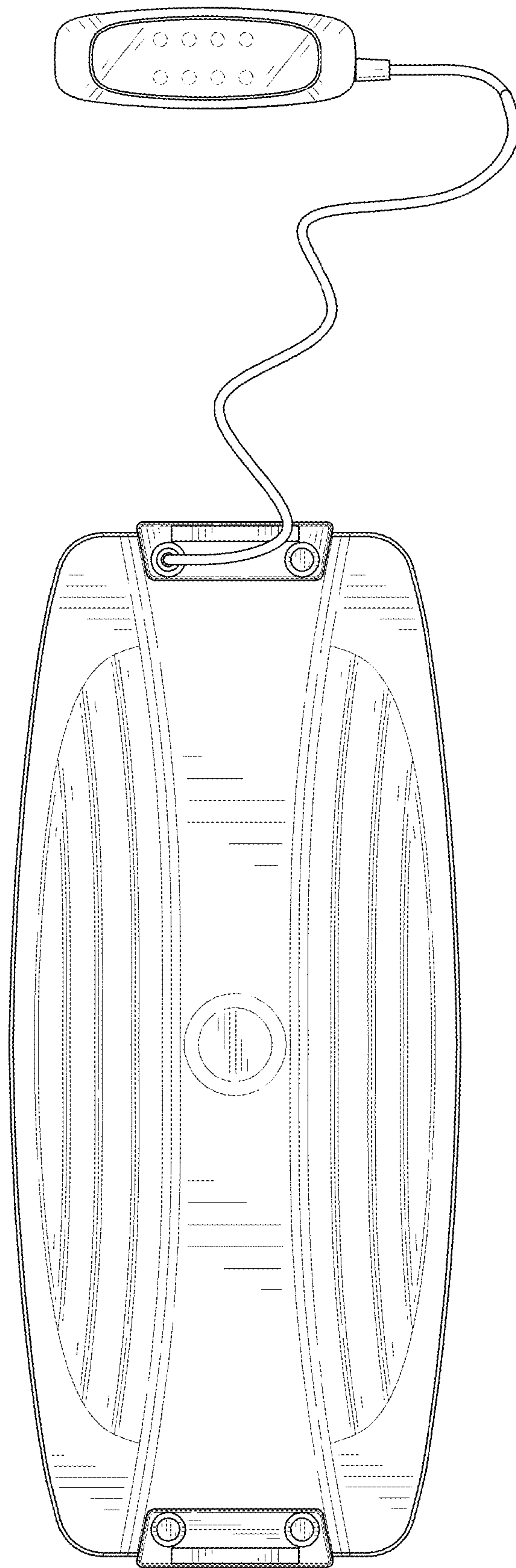


FIG. 3

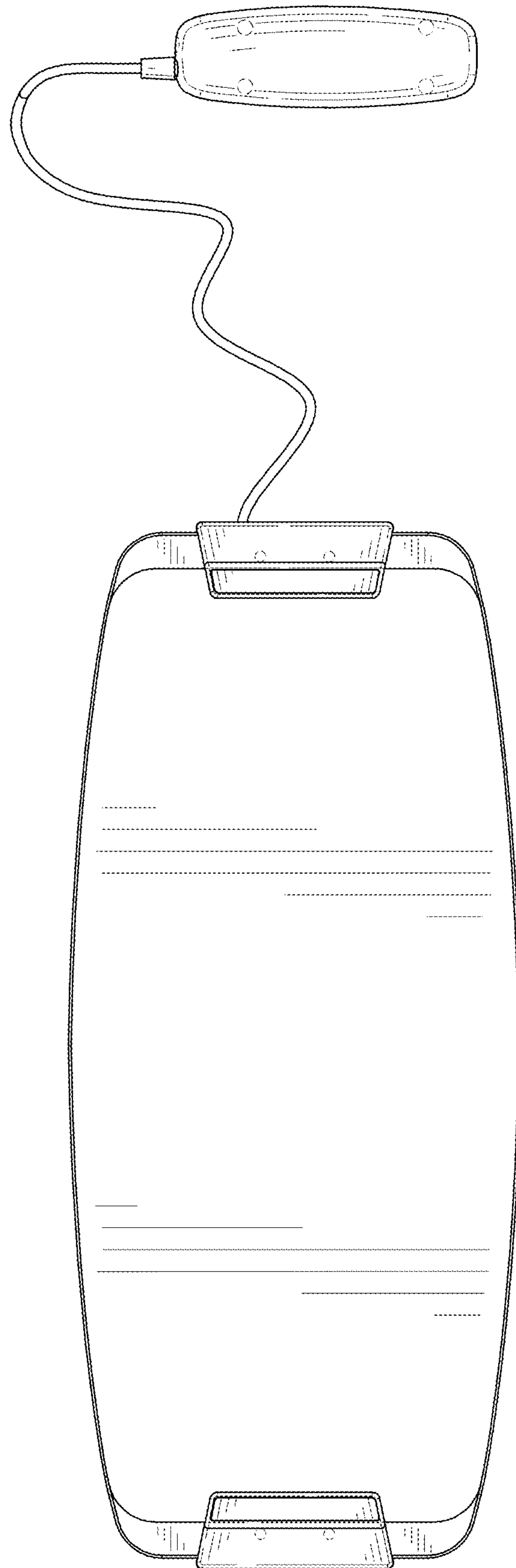


FIG. 4

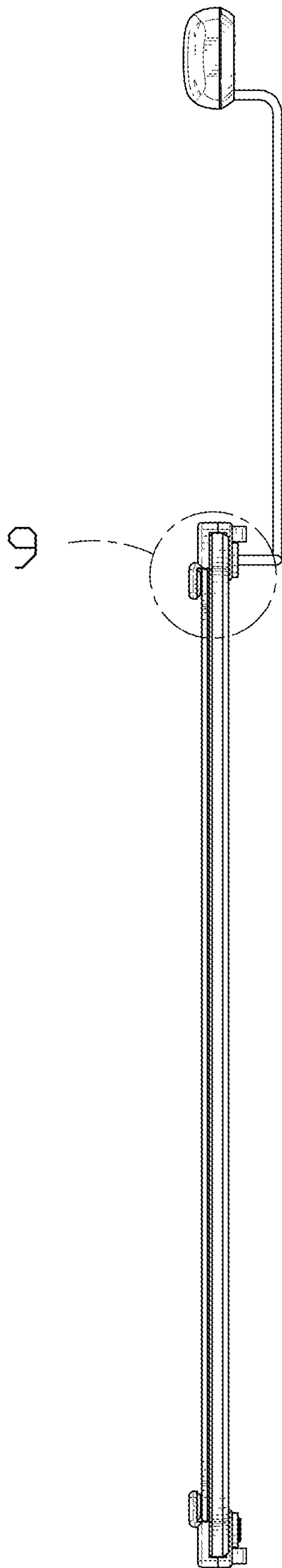


FIG. 5

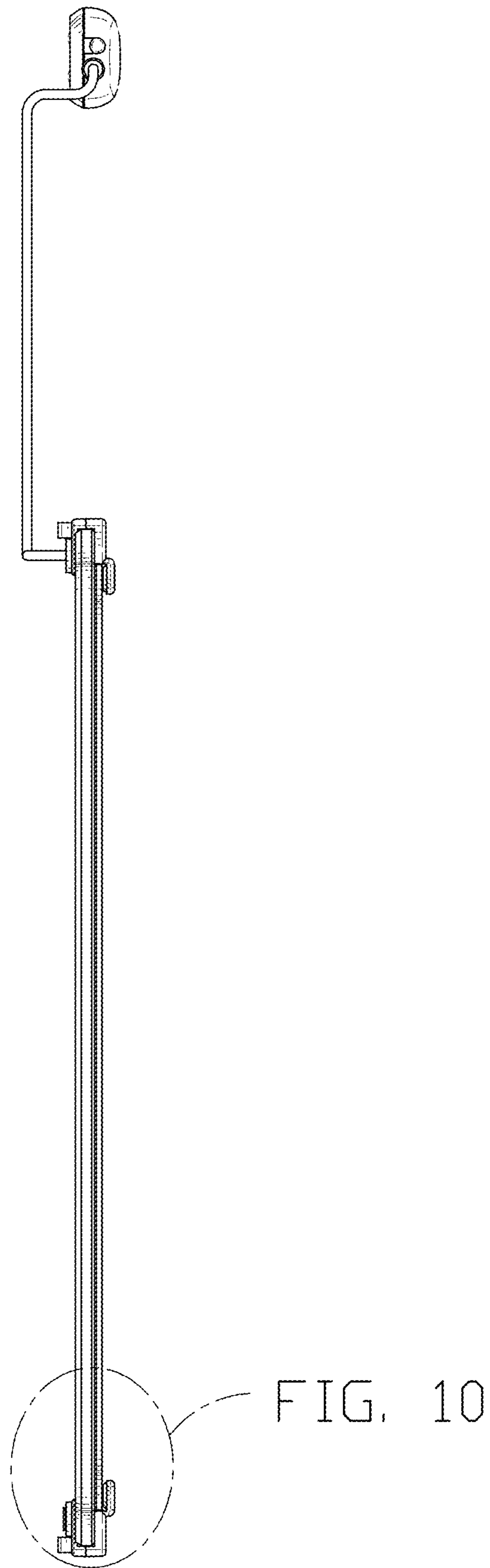


FIG. 6

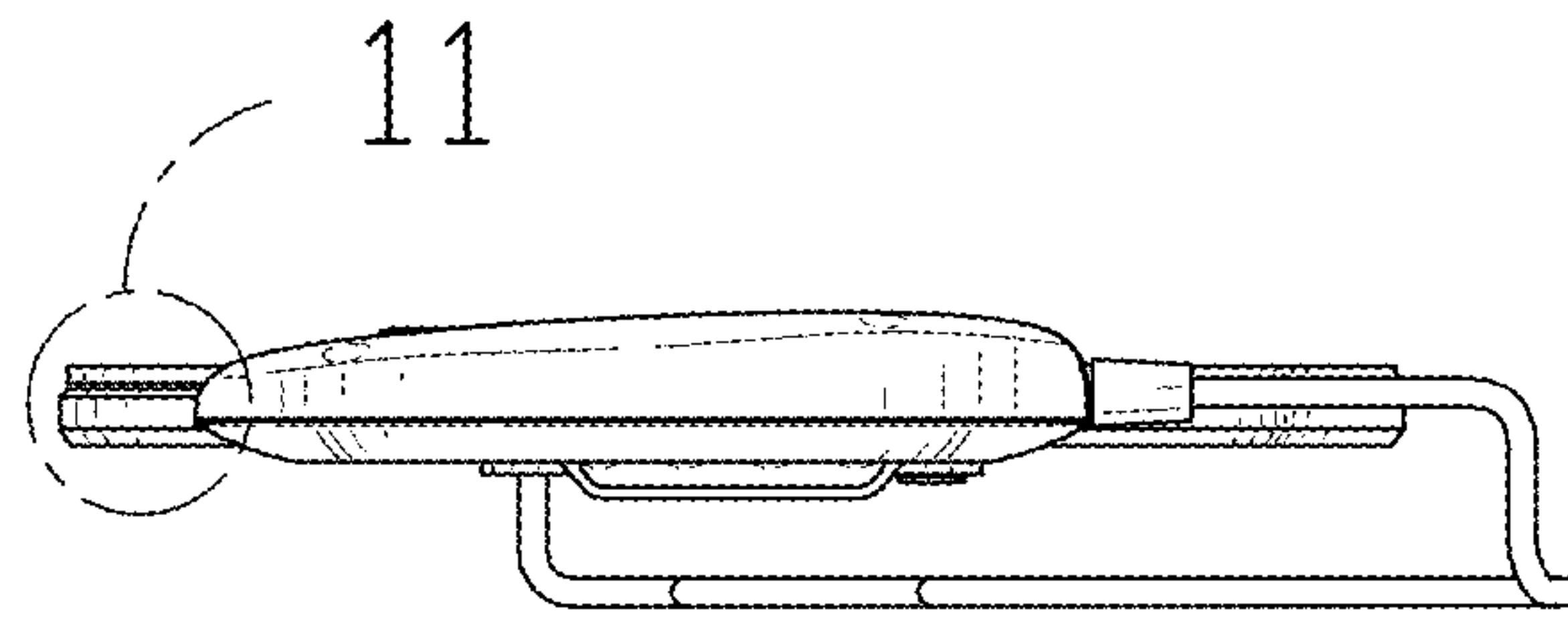


FIG. 7

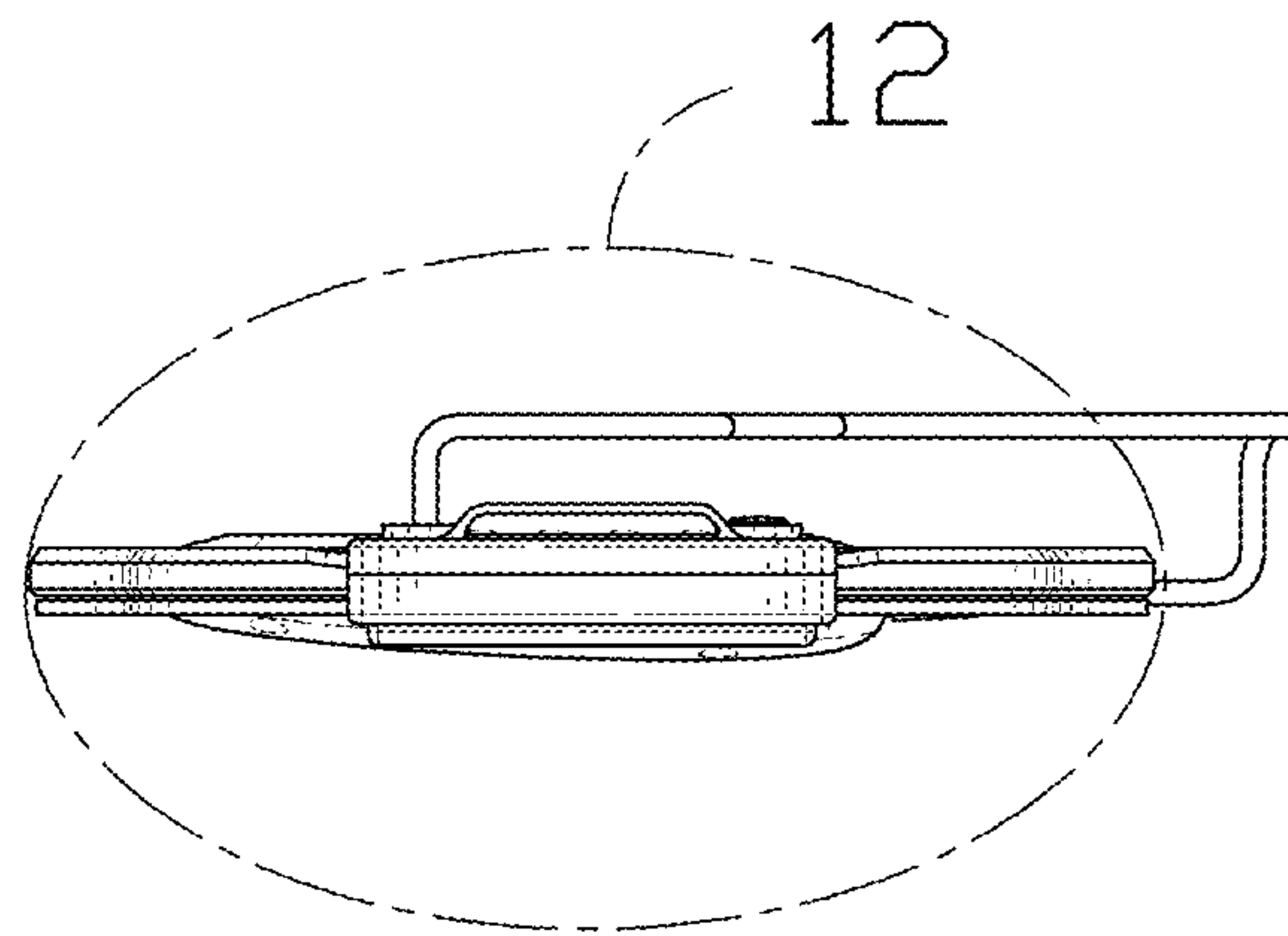


FIG. 8

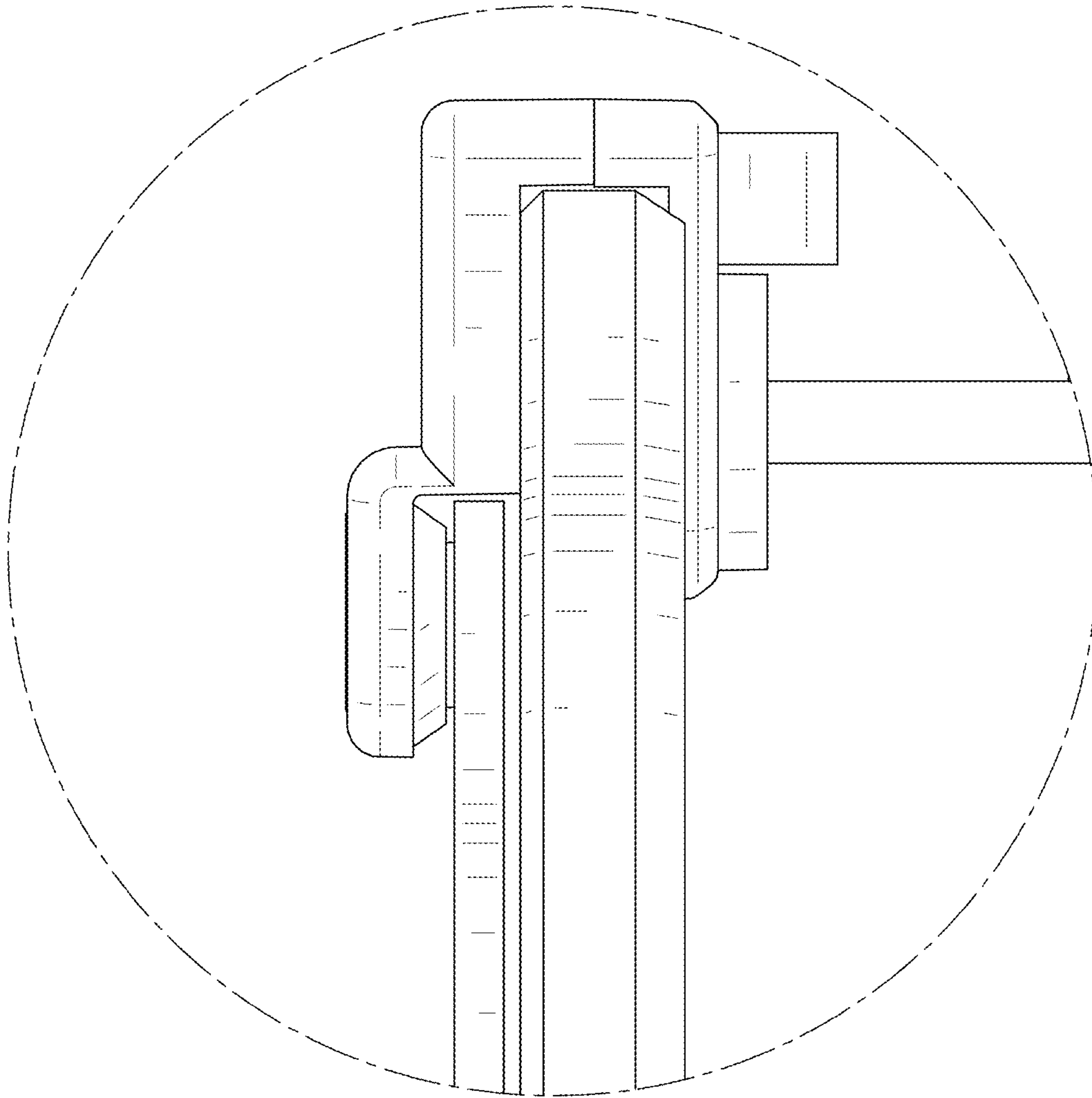


FIG. 9

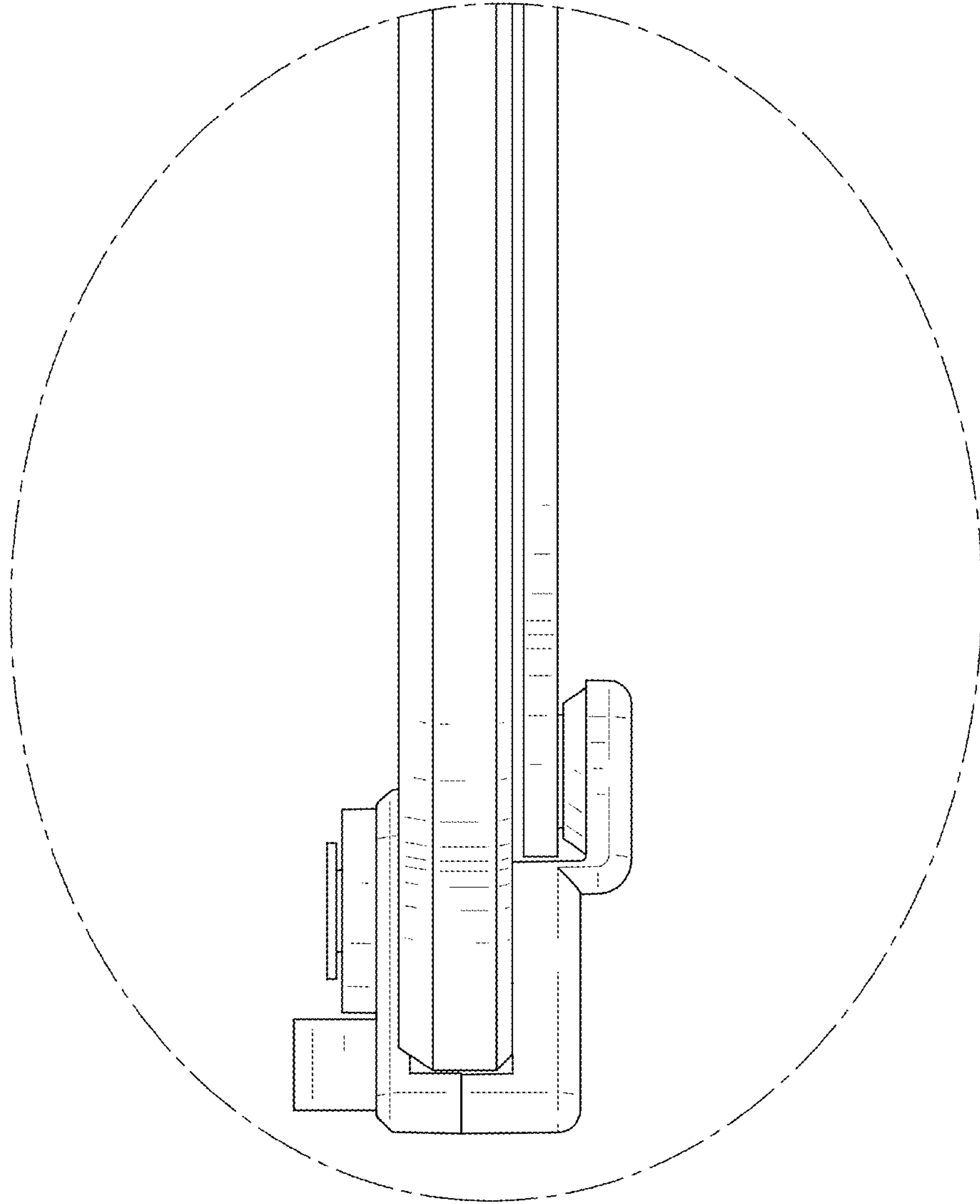


FIG. 10

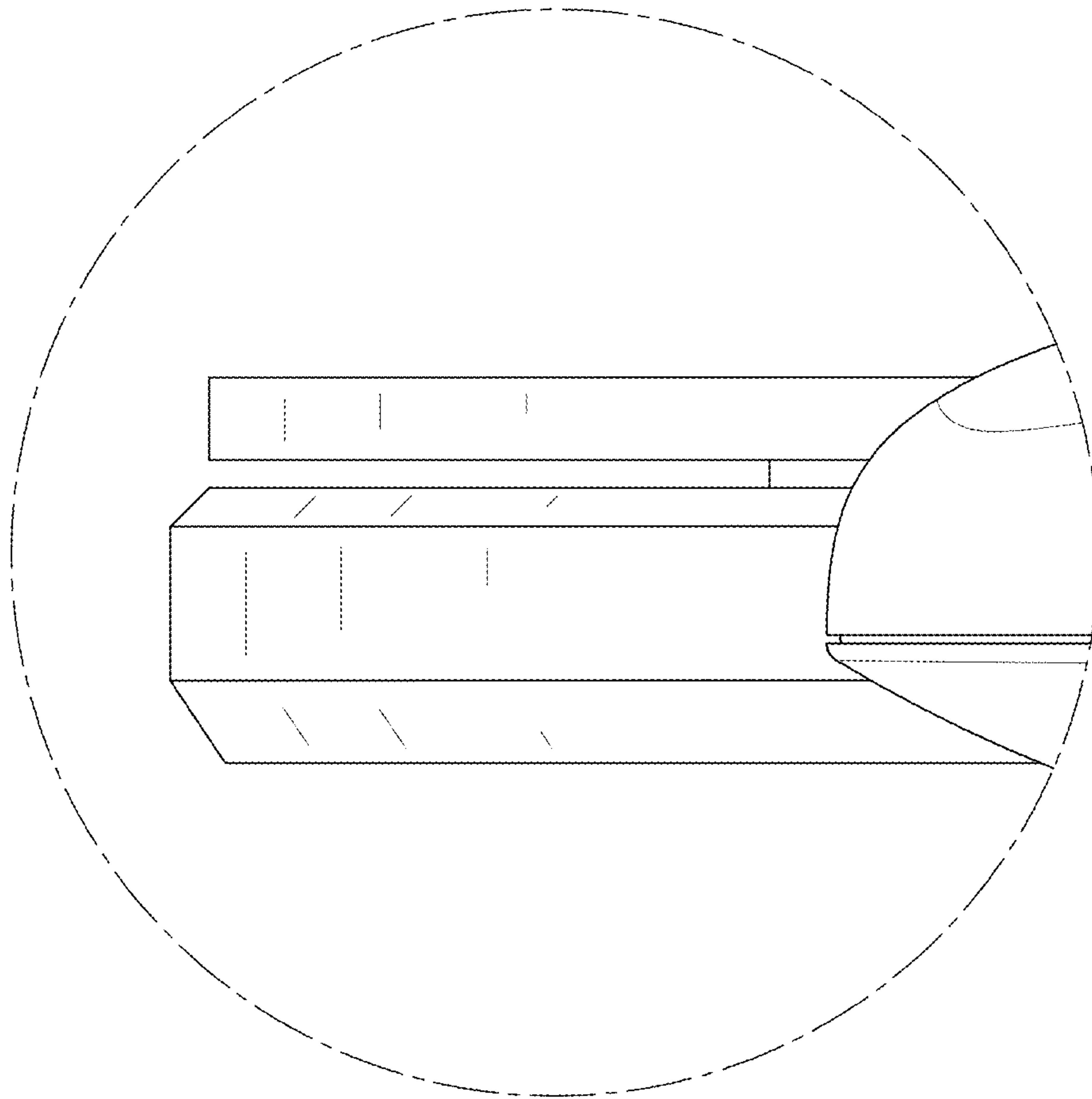


FIG. 11

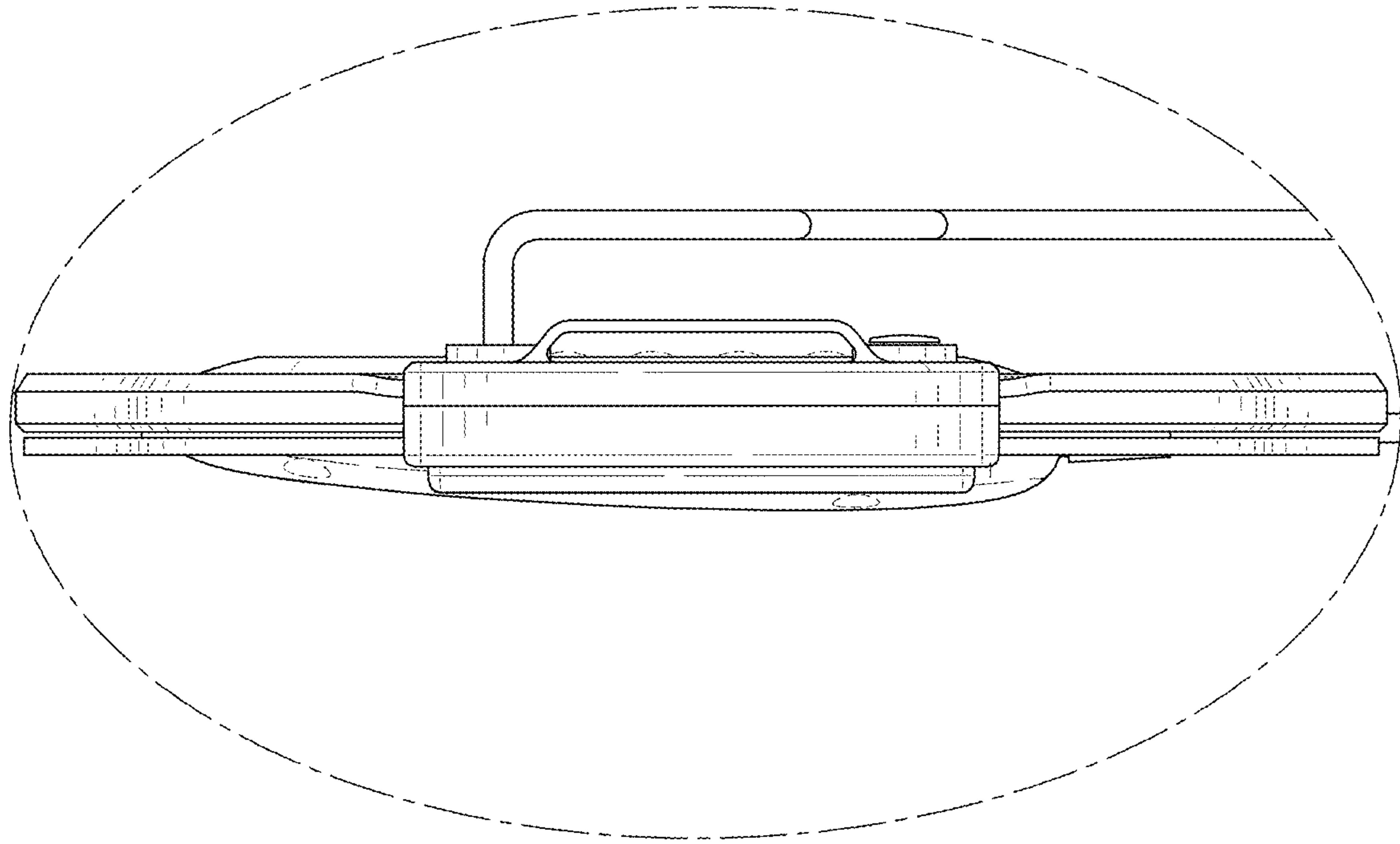


FIG. 12