



US00D887570S

(12) **United States Design Patent**  
**Yoskowitz**

(10) **Patent No.:** **US D887,570 S**  
(45) **Date of Patent:** **\*\* Jun. 16, 2020**

(54) **MOUTHPIECE**

(71) Applicant: **David Yoskowitz**, Woodcliff Lake, NJ (US)

(72) Inventor: **David Yoskowitz**, Woodcliff Lake, NJ (US)

(73) Assignee: **CHEMOMOUTHPIECE, LLC**, Closter, NJ (US)

(\*\*) Term: **15 Years**

(21) Appl. No.: **29/643,460**

(22) Filed: **Apr. 9, 2018**

**Related U.S. Application Data**

(63) Continuation-in-part of application No. 15/875,395, filed on Jan. 19, 2018.

(51) **LOC (12) Cl.** ..... **24-04**

(52) **U.S. Cl.**  
USPC ..... **D24/206**

(58) **Field of Classification Search**  
USPC ..... D24/206–208, 180–181, 183; 433/215; 607/105, 96

(Continued)

(56) **References Cited**

**U.S. PATENT DOCUMENTS**

4,983,122 A 1/1991 Mitnick  
5,494,441 A 2/1996 Nicholson

(Continued)

**FOREIGN PATENT DOCUMENTS**

CN 203089443 U 7/2013  
EP 004558393-0001 S 1/2018

(Continued)

**OTHER PUBLICATIONS**

Walladbegi et al., "New Cooling Device for Oral Mucosa Better Tolerated and Equally Effective As Ice Cooling", Blood Journal, 2016; retrieved from the Internet at URL: <http://www.bloodjournal.org/content/128/22/5806?sso-checked=true>.

*Primary Examiner* — Wan Laymon

(74) *Attorney, Agent, or Firm* — Abelman, Frayne & Schwab

(57) **CLAIM**

The ornamental design for a mouthpiece, as shown and described.

**DESCRIPTION**

FIG. 1 is a top, front, and right side perspective view of a first embodiment of a mouthpiece, according to the present invention;

FIG. 2 is a bottom, front, and right side perspective view thereof;

FIG. 3 is a top, rear, and right side perspective view thereof;

FIG. 4 is a bottom, rear, and right side perspective view thereof;

FIG. 5 is a right side view thereof, the left side view being a mirror image thereof

FIG. 6 is a top view thereof;

FIG. 7 is a bottom view thereof;

FIG. 8 is a front view thereof;

FIG. 9 is a rear view thereof;

FIG. 10 is a top, front, and right side perspective view of a second embodiment of a mouthpiece, according to the present invention;

FIG. 11 is a bottom, front, and right side perspective view thereof;

FIG. 12 is a top, rear, and right side perspective view thereof;

FIG. 13 is a bottom, rear, and right side perspective view thereof;

FIG. 14 is a right side view thereof, the left side view being a mirror image thereof;

FIG. 15 is a top view thereof;

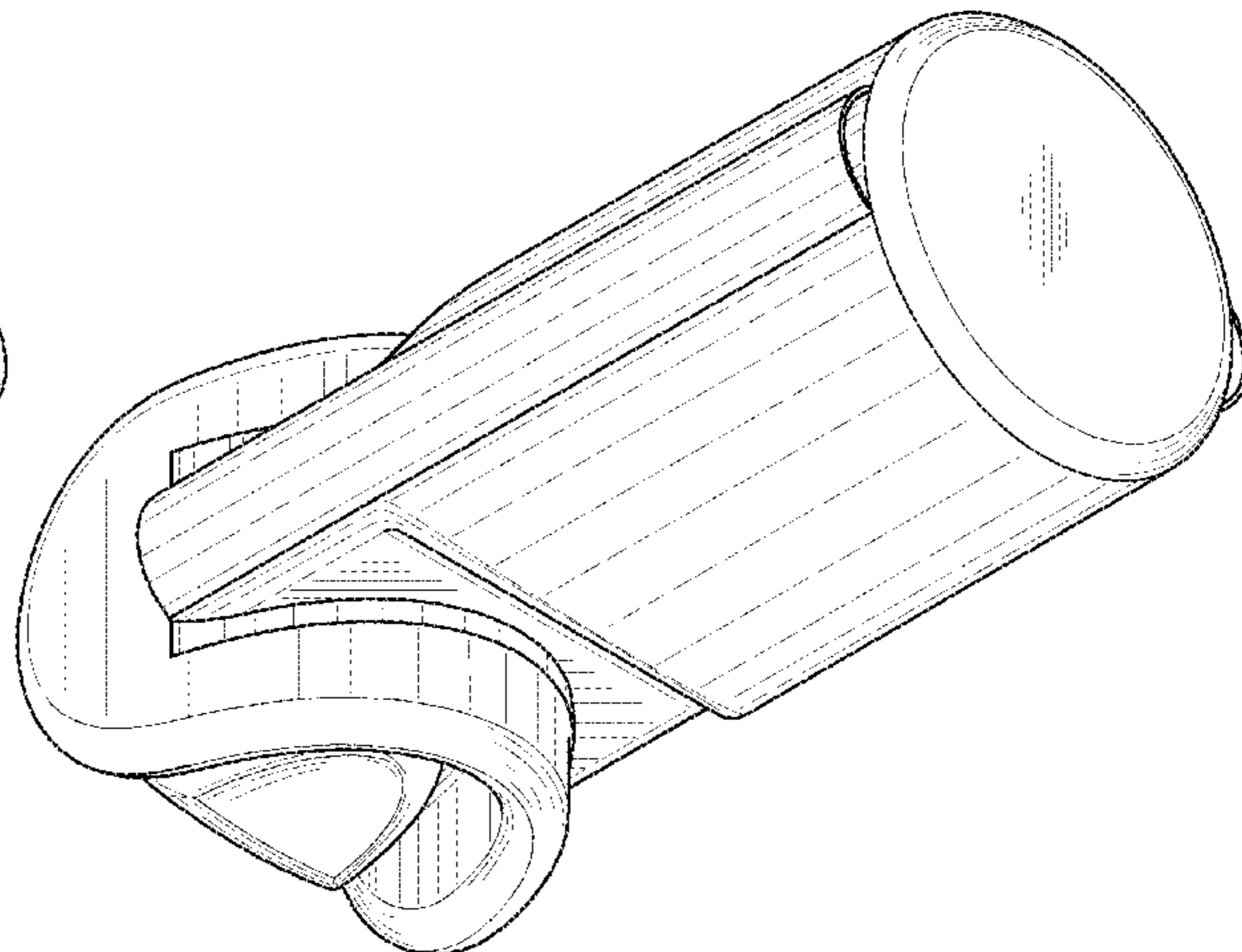
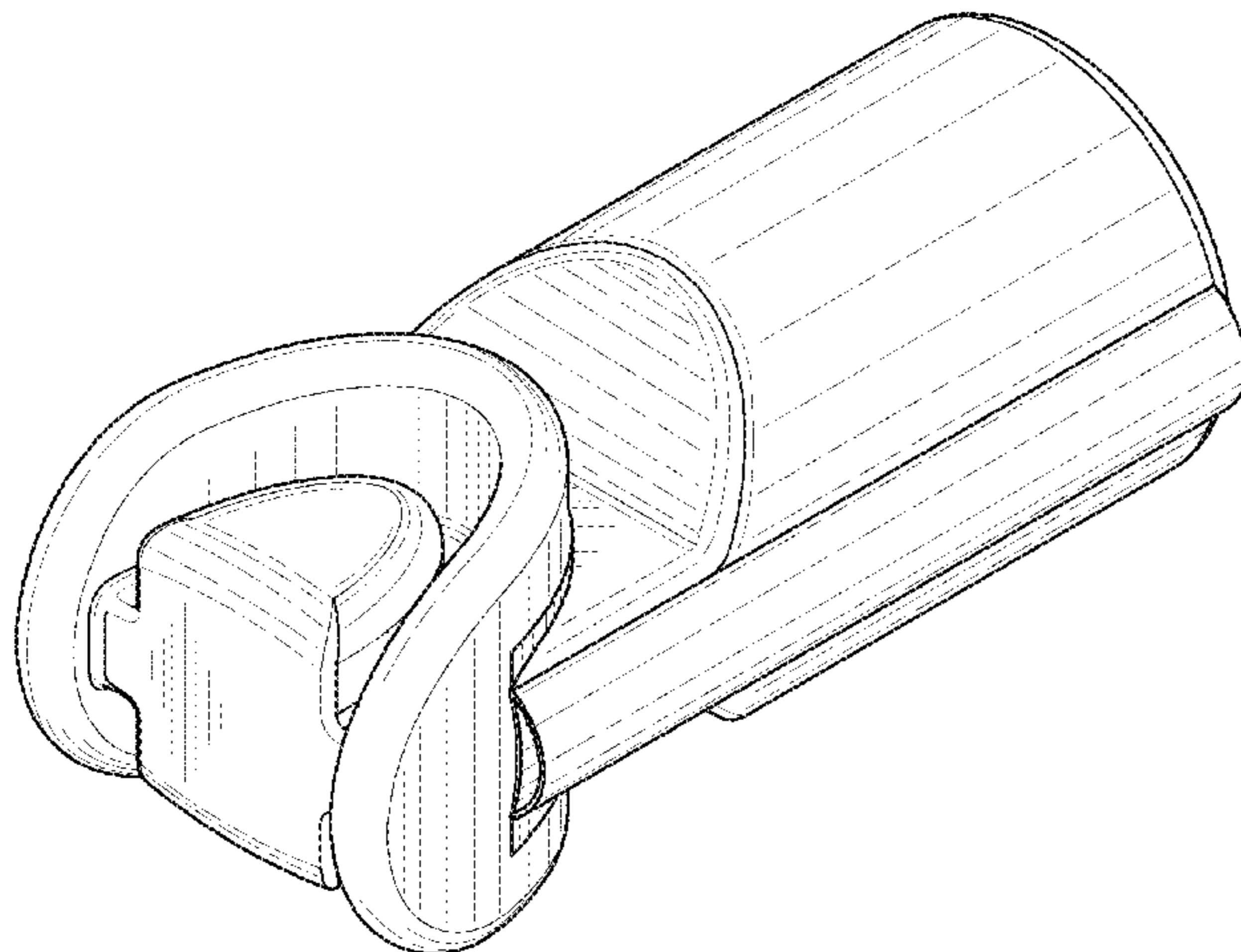
FIG. 16 is a bottom view thereof;

FIG. 17 is a front view thereof; and,

FIG. 18 is a rear view thereof.

The broken lines shown in FIGS. 10-16 illustrate an optional parting line and form no part of the design.

**1 Claim, 16 Drawing Sheets**



(58) **Field of Classification Search**

CPC .. A61F 7/12; A61F 7/0085; A61F 2007/0001;  
 A61F 2007/0017; A61F 2007/0056; A61F  
 2007/0063; A61C 19/06

See application file for complete search history.

(56) **References Cited**

U.S. PATENT DOCUMENTS

5,819,744	A	10/1998	Stoyka, Jr.	
6,217,606	B1	4/2001	Portnoy et al.	
6,660,029	B2	12/2003	VanSkiver et al.	
7,044,929	B2	5/2006	VanSkiver et al.	
7,527,642	B2	5/2009	VanSkiver et al.	
7,967,604	B2 *	6/2011	Wong .....	A61C 19/063 607/96
D747,810	S *	1/2016	Bangser .....	D24/206
2003/0055474	A1	3/2003	VanSkiver et al.	
2004/0106970	A1	6/2004	VanSkiver et al.	
2004/0234456	A1	11/2004	Slaughter	
2006/0019214	A1 *	1/2006	Lawrence .....	A61C 19/06 433/29
2009/0216303	A1	8/2009	VanSkiver et al.	
2013/0085530	A1	4/2013	Caputo	
2017/0231815	A1 *	8/2017	Berg .....	A61C 19/06 607/105
2017/0354535	A1 *	12/2017	Yoskowitz .....	A61F 7/12

FOREIGN PATENT DOCUMENTS

EP	004558393-0002	S	1/2018
JP	H114839		1/1999
WO	2016/023920		2/2016

\* cited by examiner

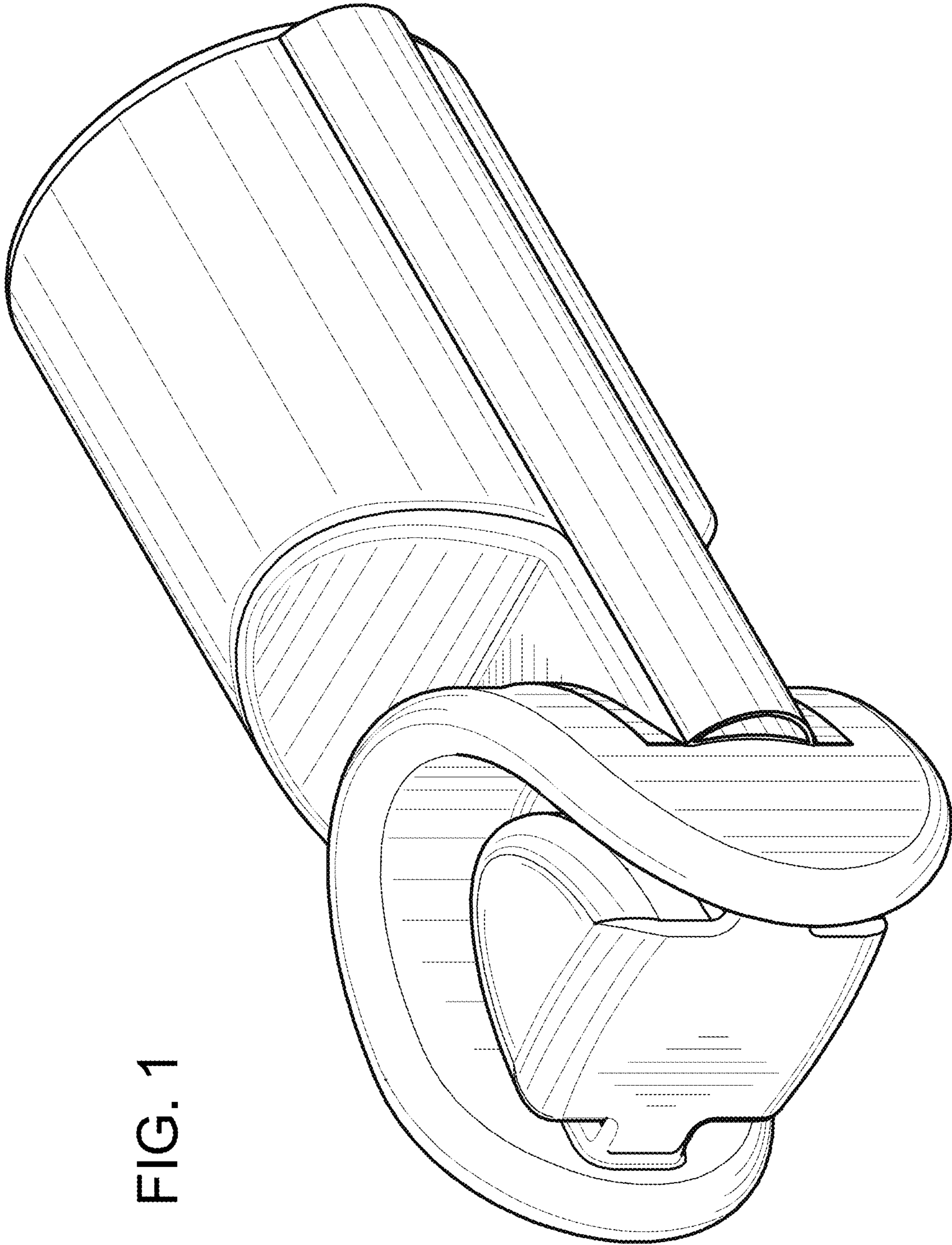
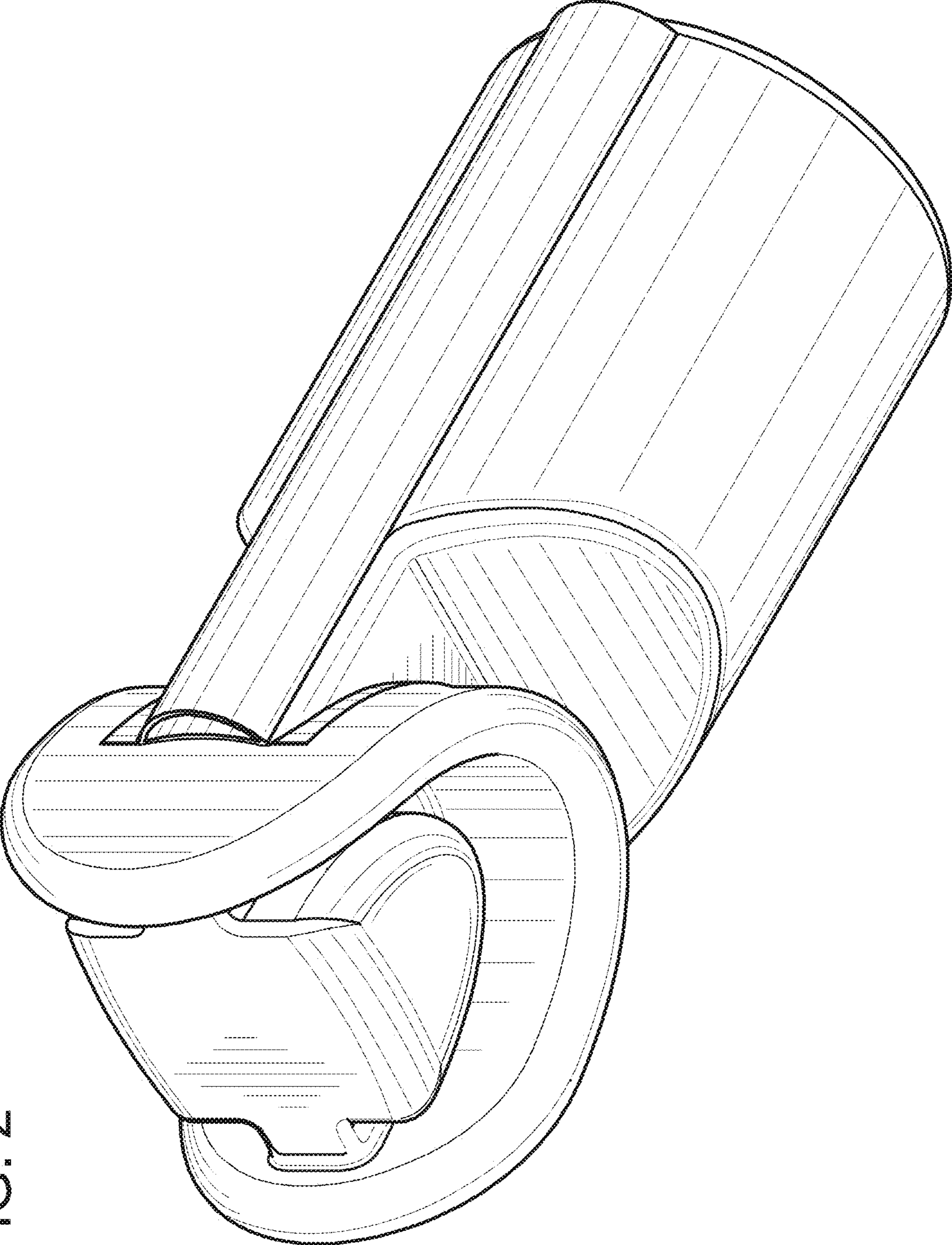


FIG. 1

FIG. 2



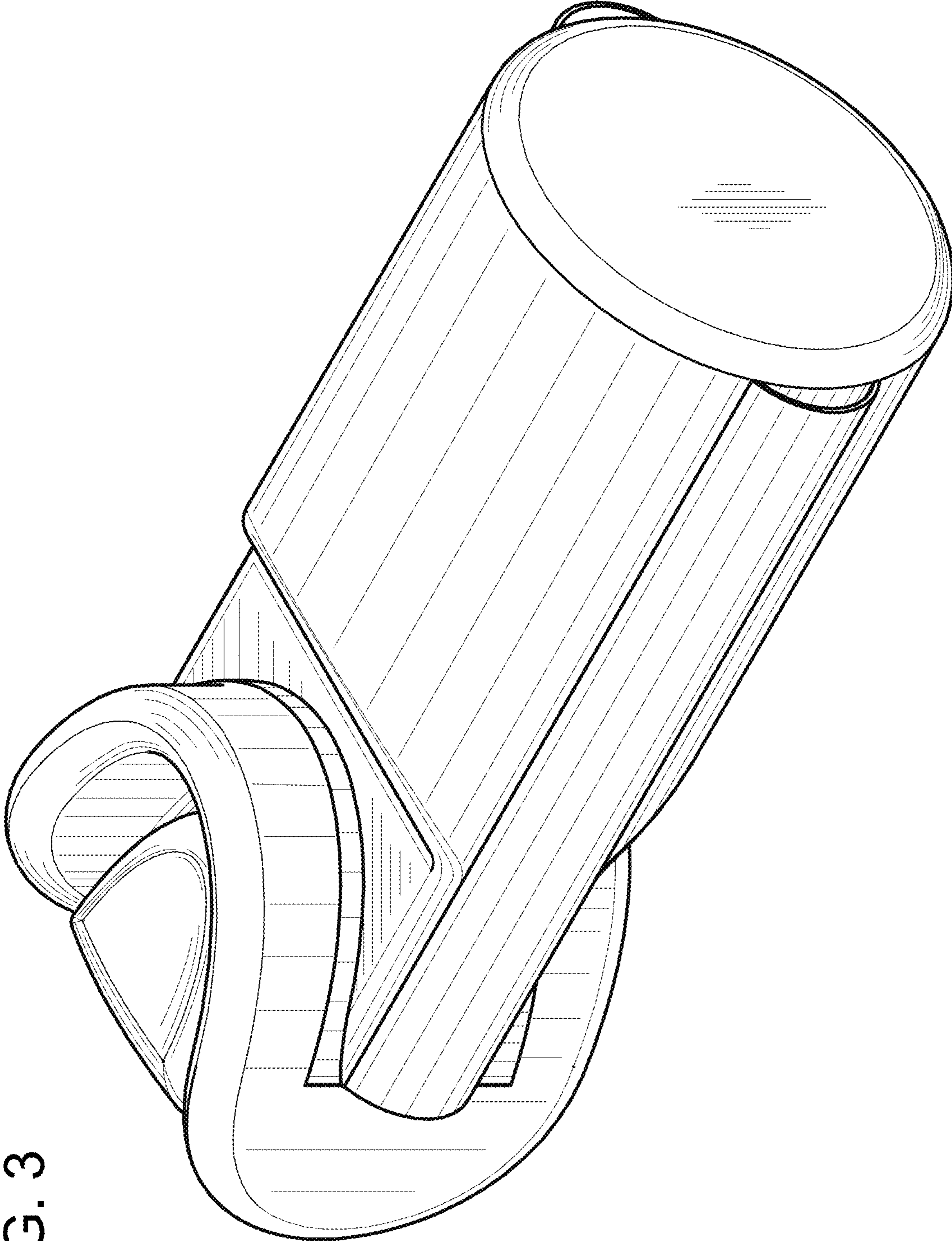


FIG. 3

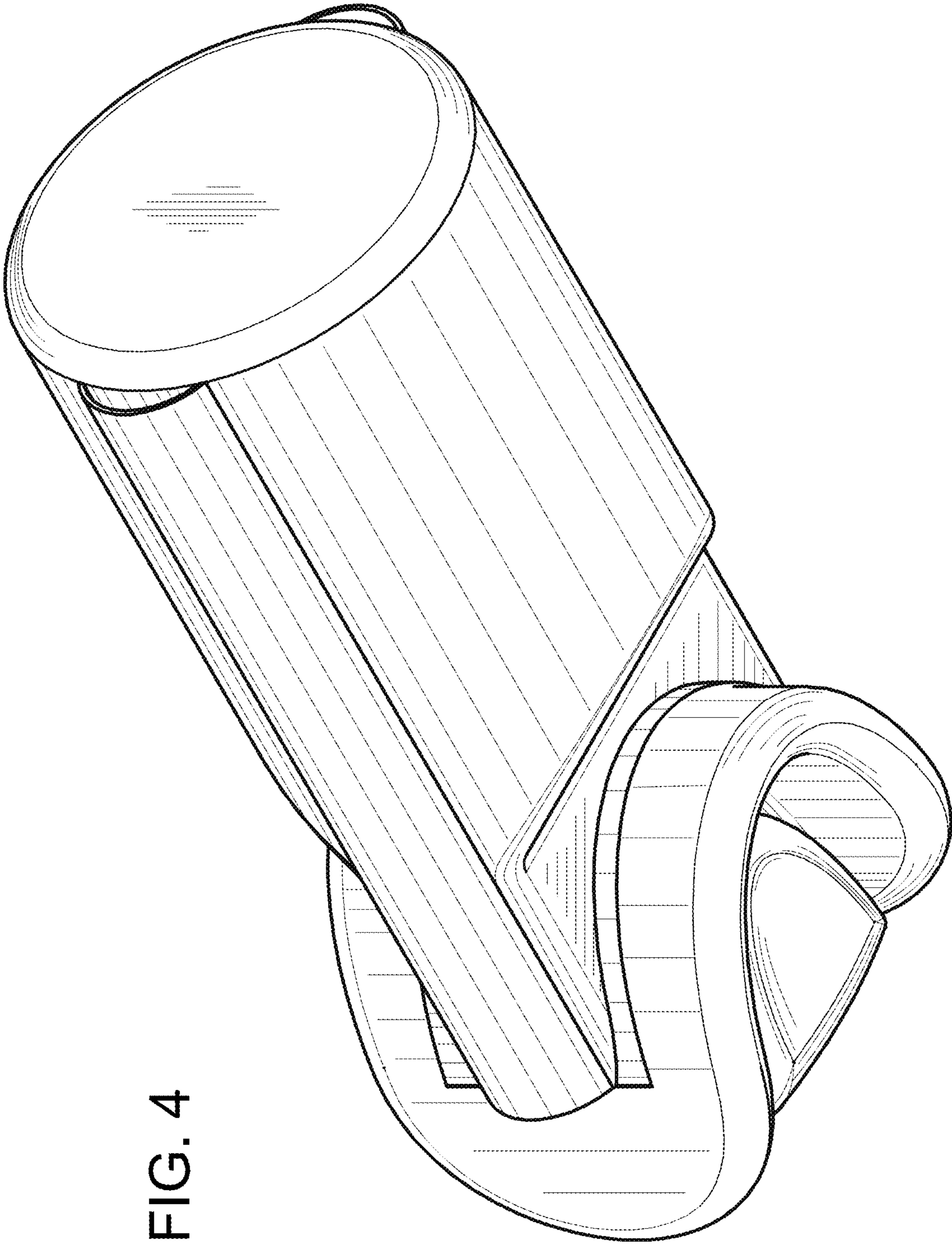


FIG. 4

FIG. 5

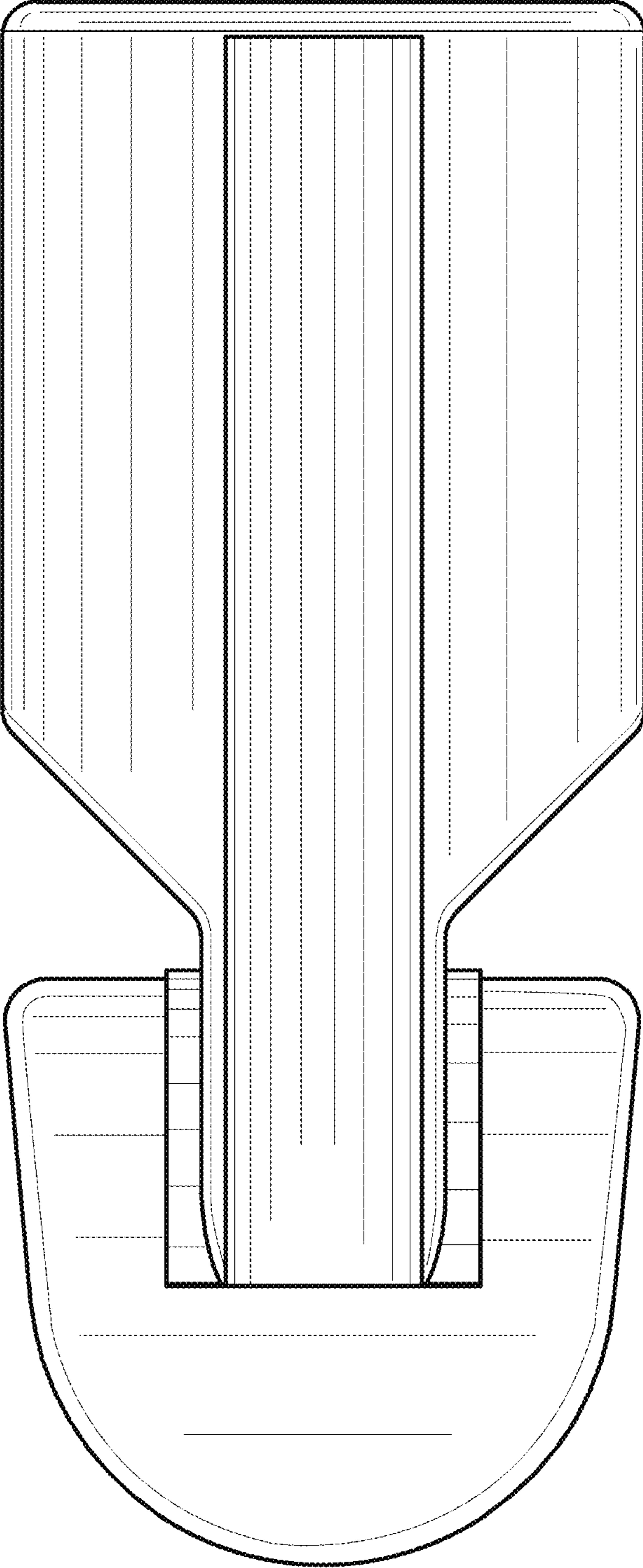


FIG. 6

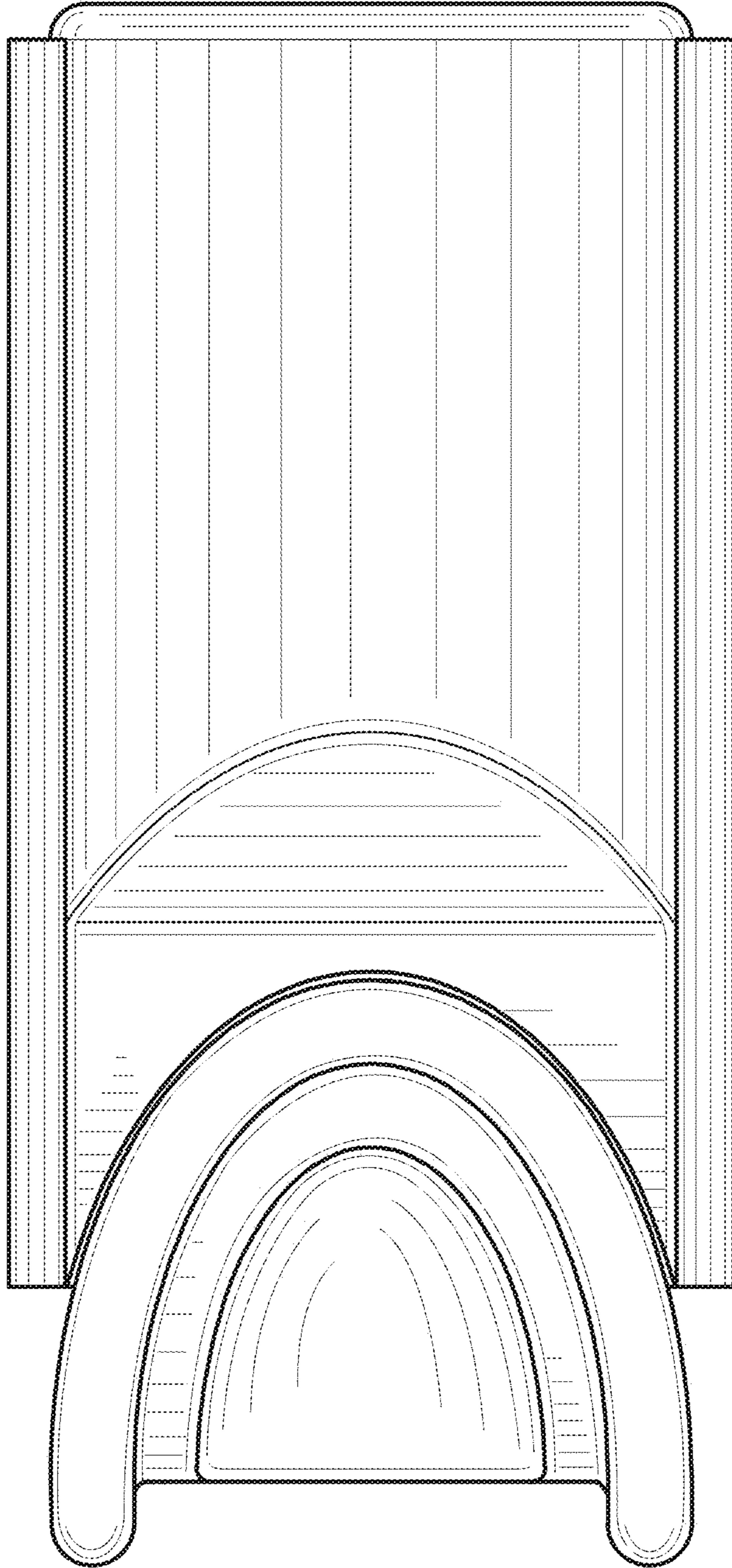




FIG. 7

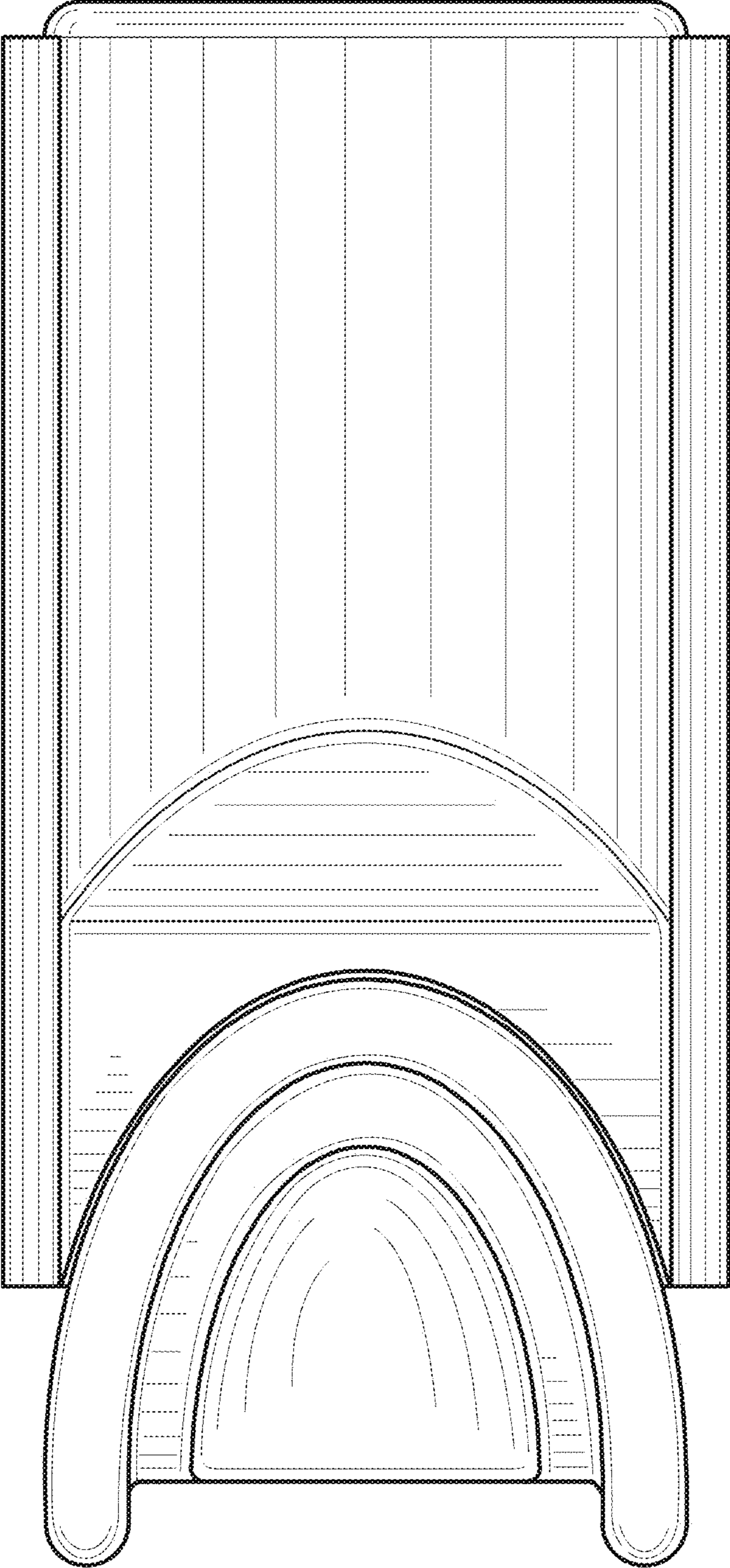


FIG. 9

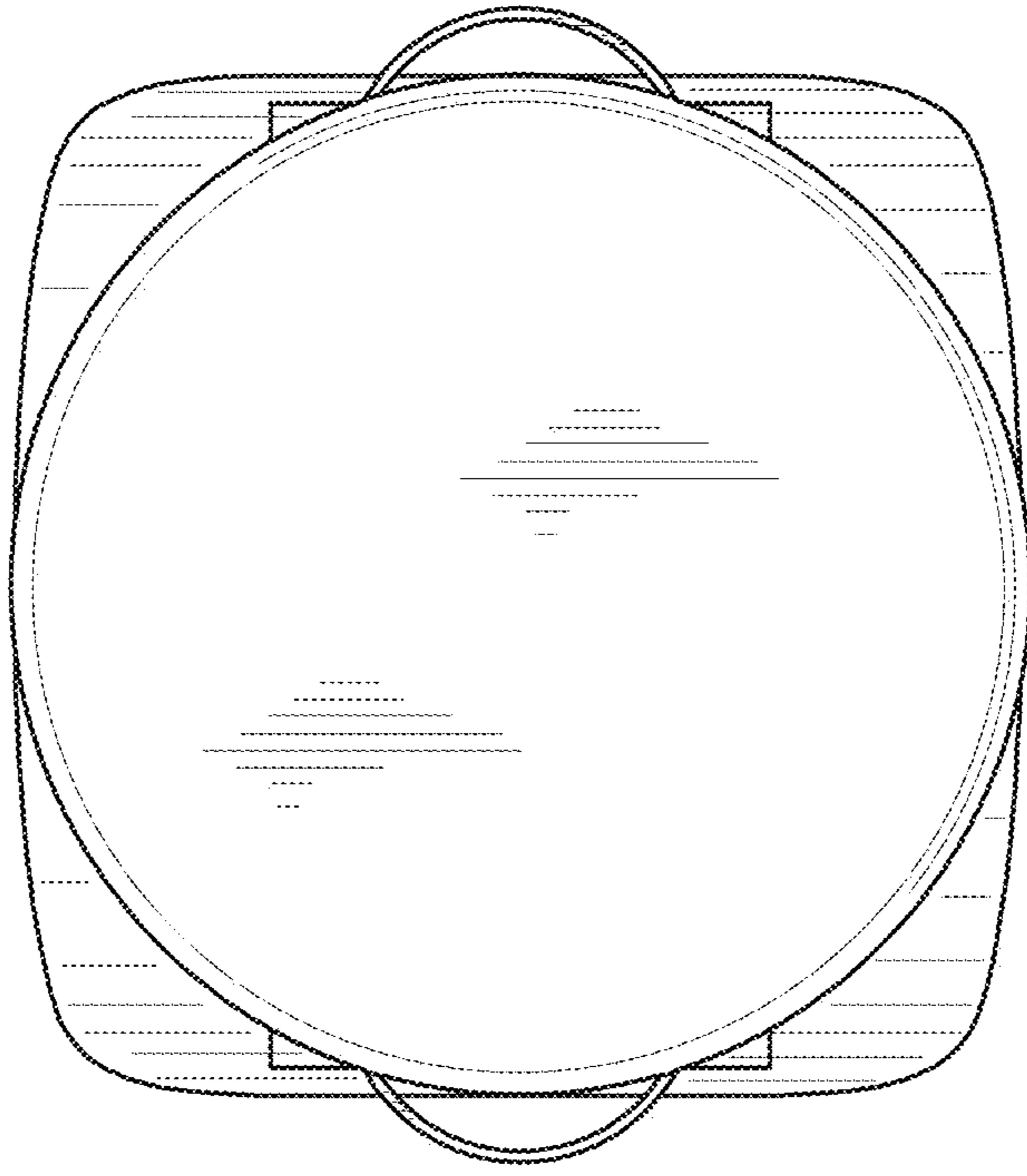
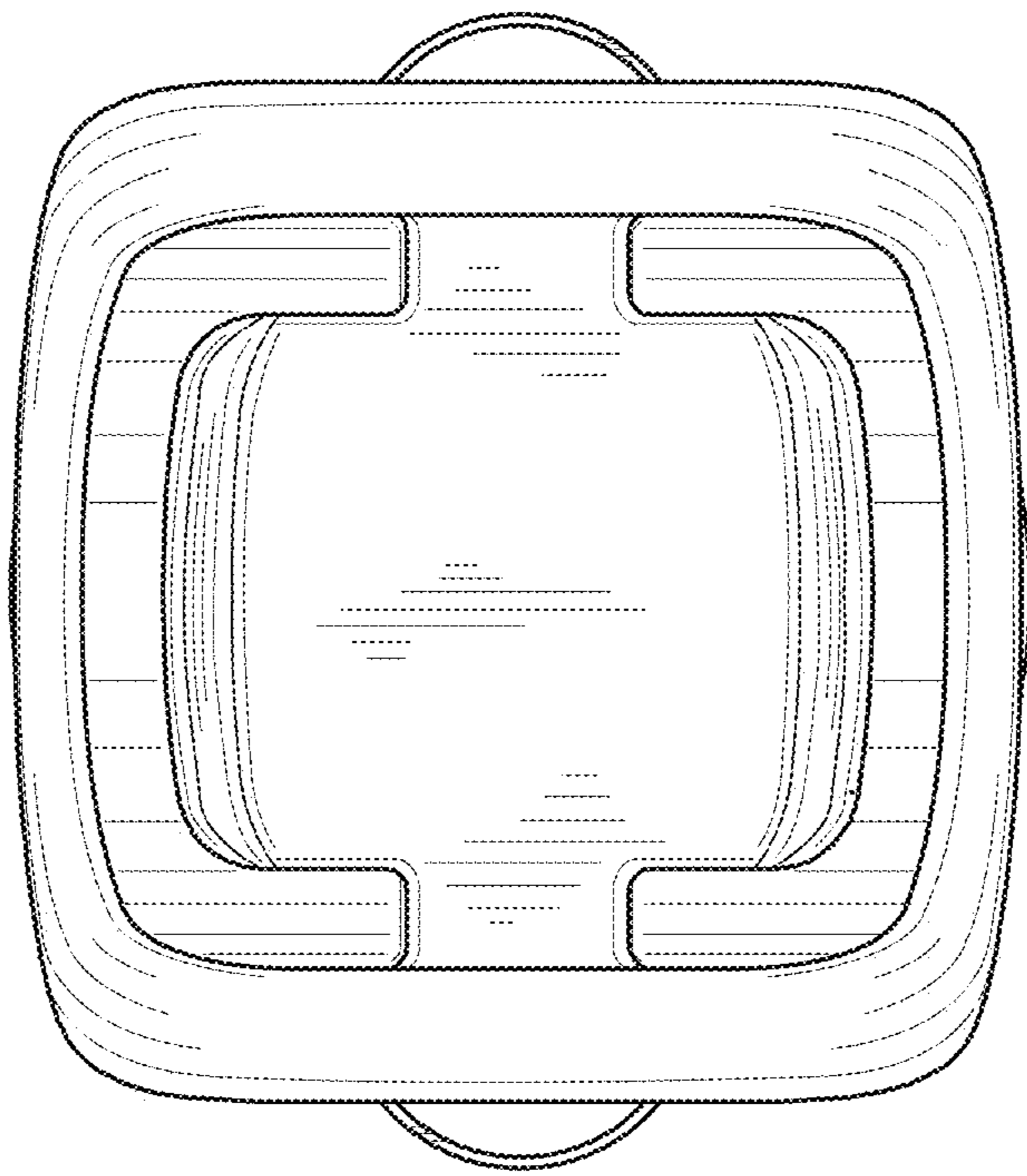


FIG. 8



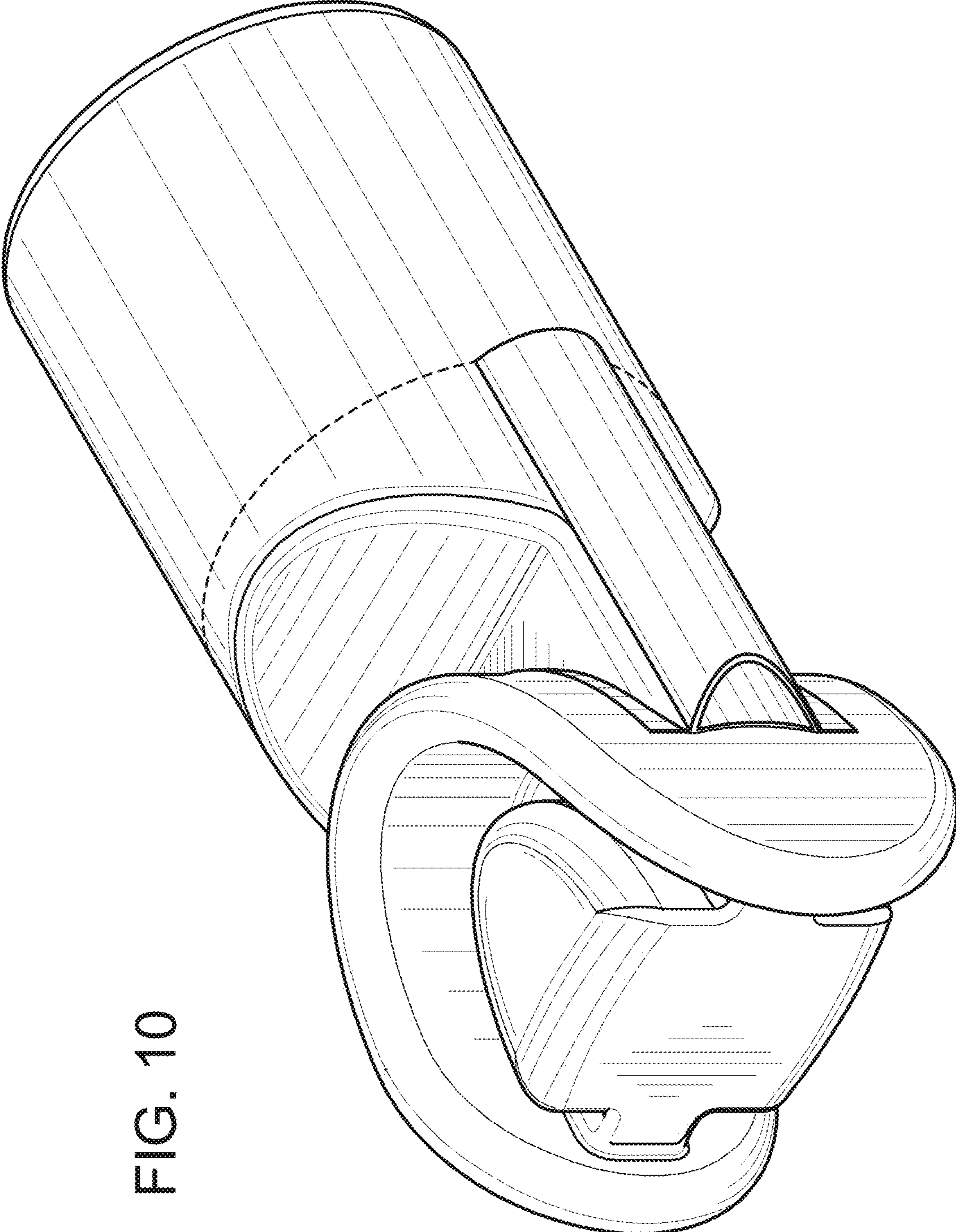
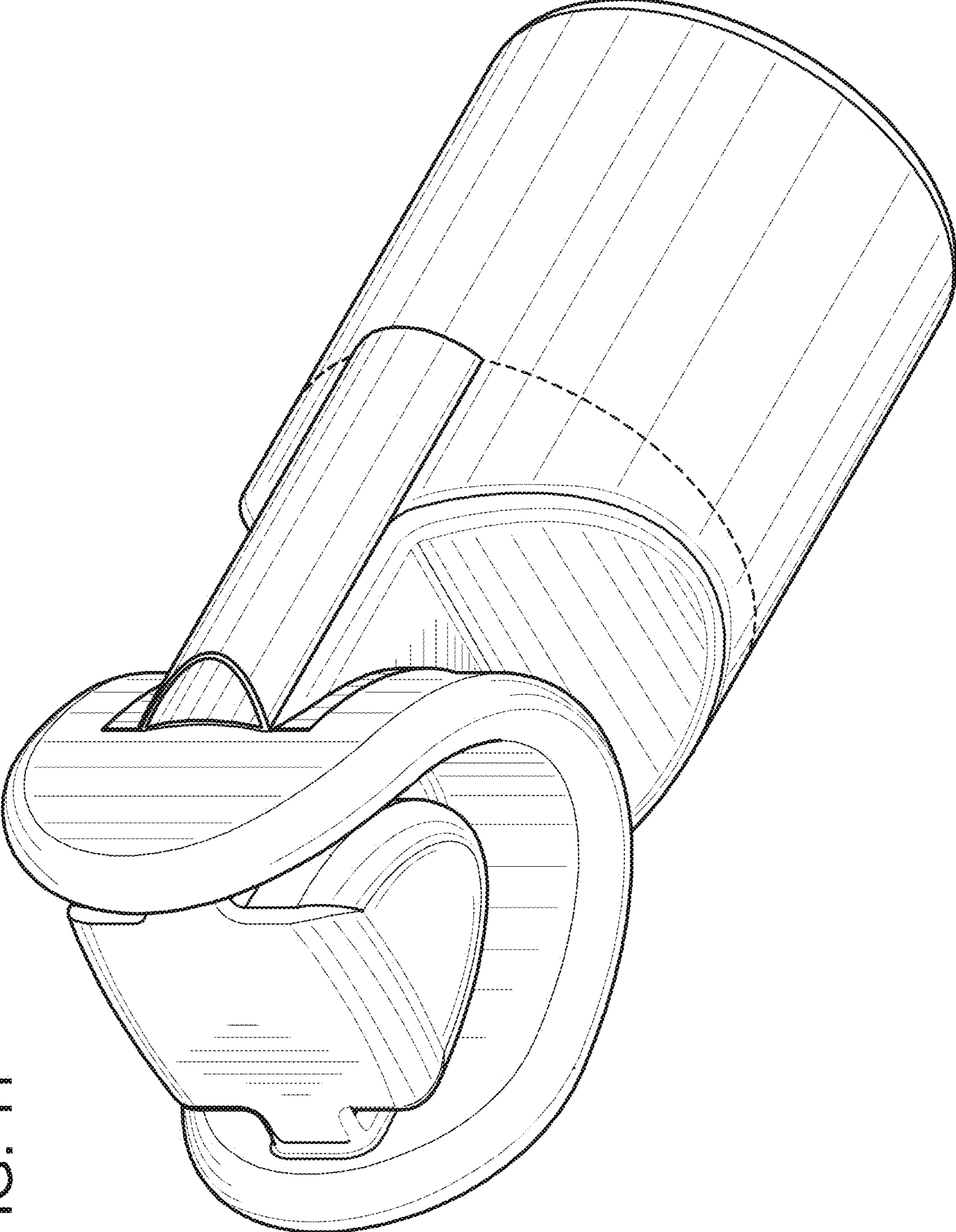


FIG. 10

FIG. 11



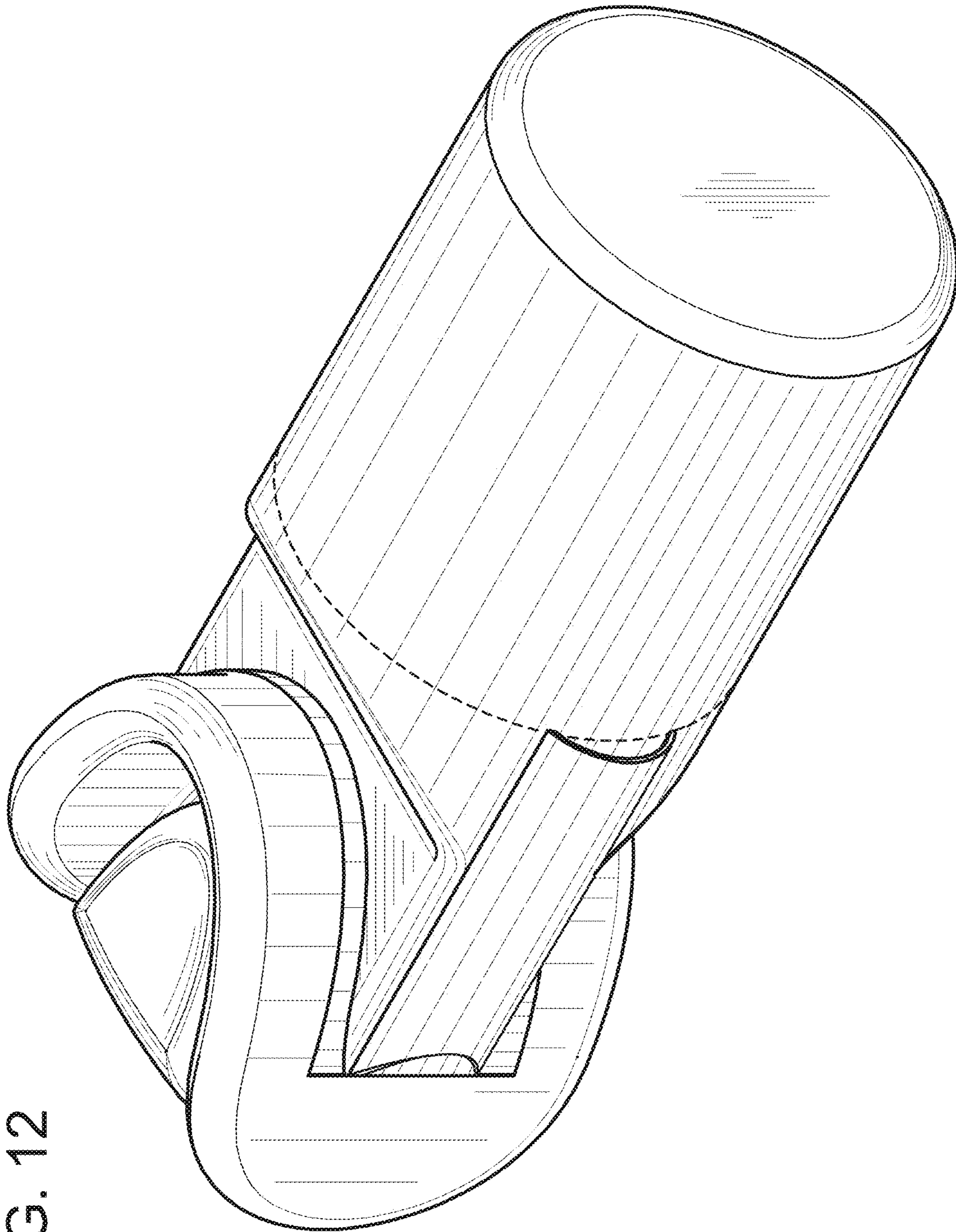


FIG. 12

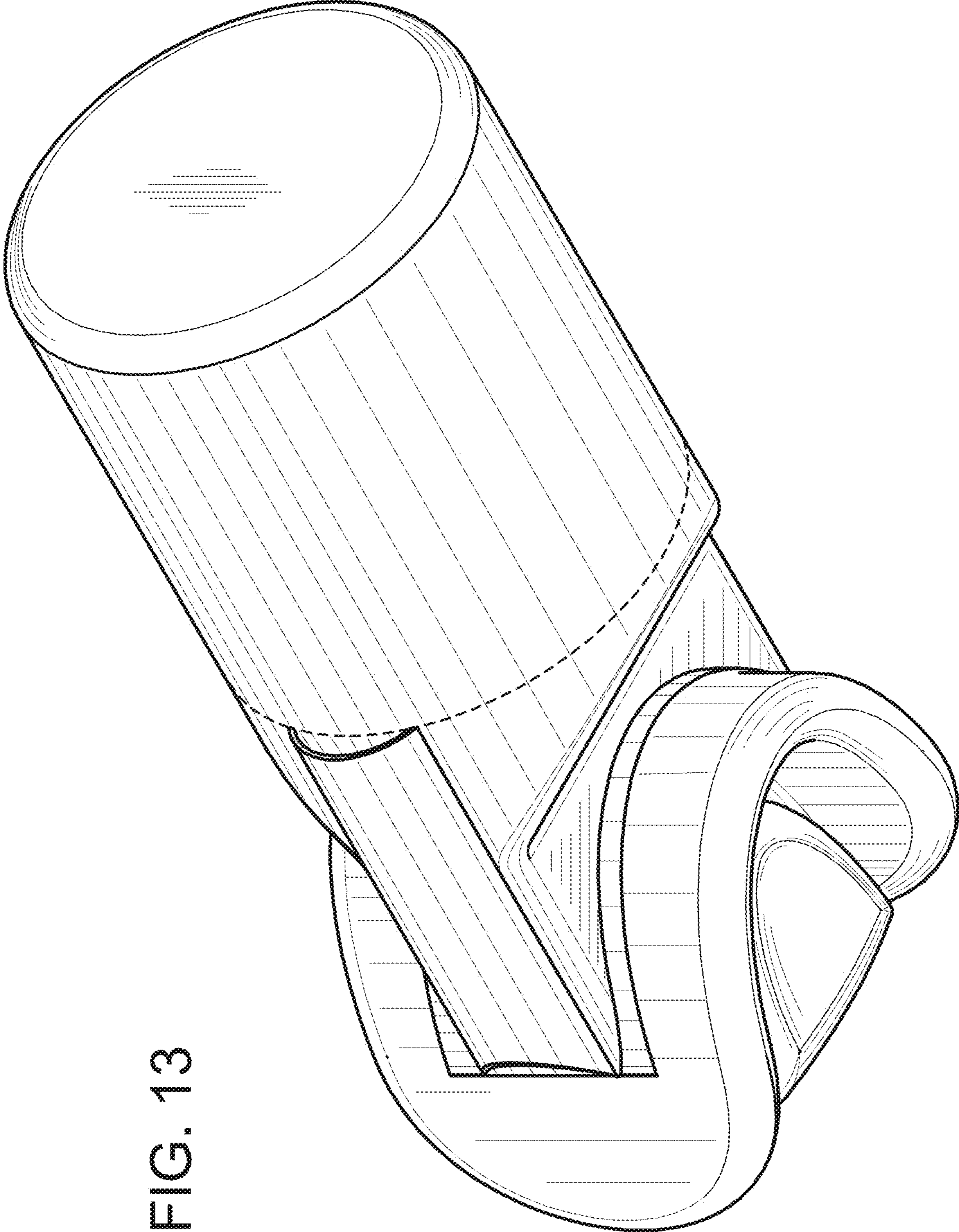


FIG. 13

FIG. 14

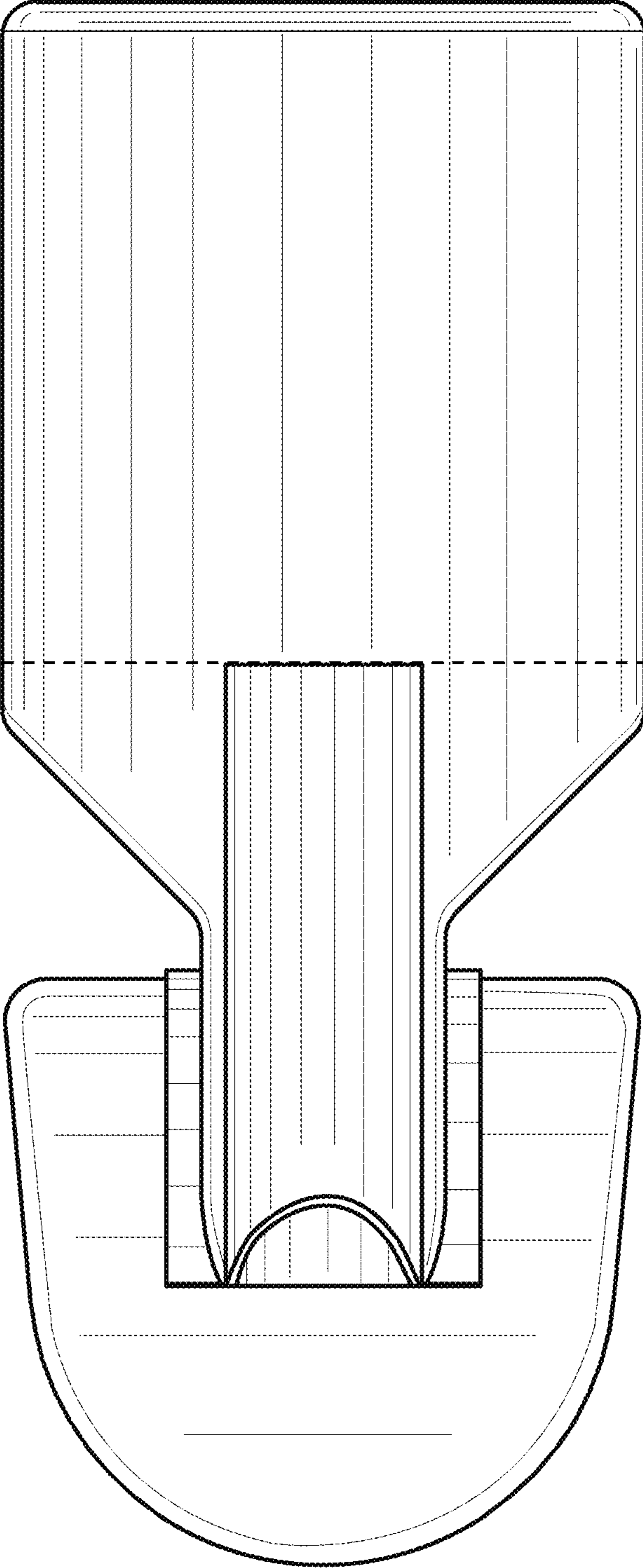


FIG. 15

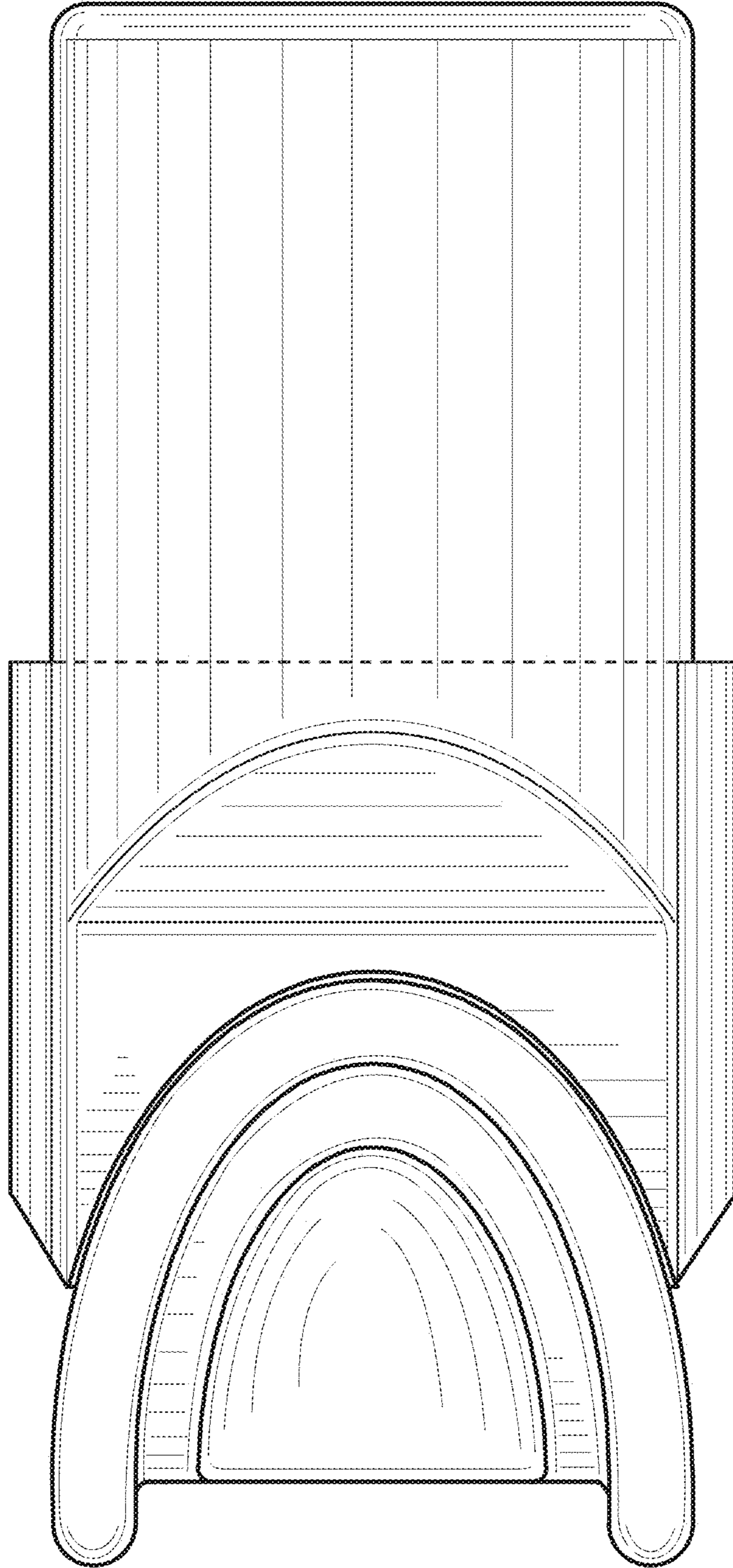




FIG. 16

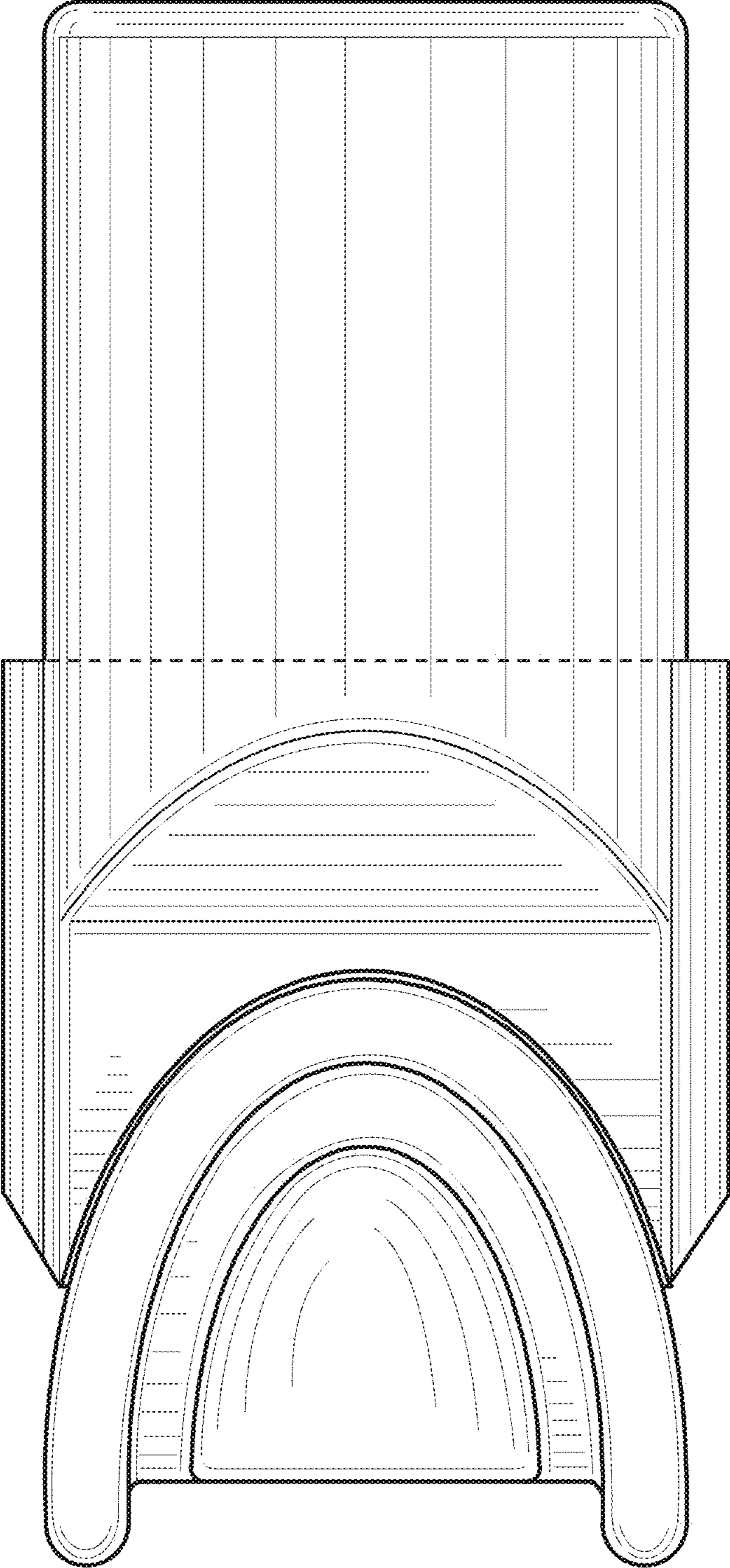


FIG. 18

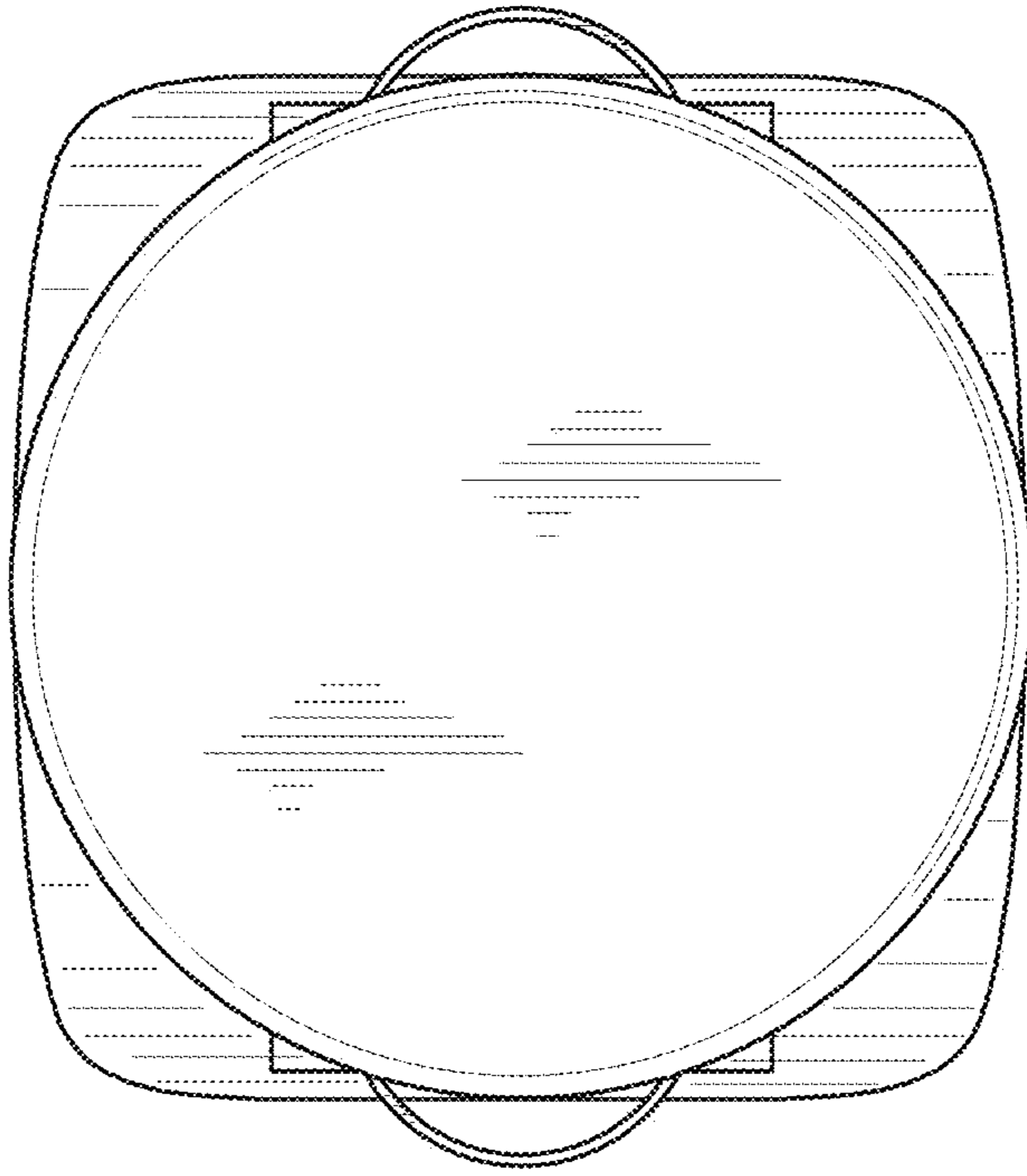


FIG. 17

