



US00D887567S

(12) **United States Design Patent** (10) **Patent No.:** **US D887,567 S**
Lowsky et al. (45) **Date of Patent:** **** Jun. 16, 2020**

(54) **ORAL-MOTOR CHEW PENDANT**
(71) Applicant: **ARK Therapeutic Services, Inc.**,
Columbia, SC (US)
(72) Inventors: **Rebecca E. Lowsky**, Columbia, SC
(US); **John Lowsky, Jr.**, Columbia, SC
(US)
(73) Assignee: **ARK Therapeutic Services, Inc.**,
Columbia, SC (US)

D495,764 S 9/2004 Bresciani et al.
D531,084 S 10/2006 McGowen et al.
D531,541 S 11/2006 McGowen et al.
D531,542 S 11/2006 McGowen et al.
D539,364 S 3/2007 Sofussen
D611,108 S 3/2010 Bodin
D621,886 S 8/2010 Lee
D631,786 S 2/2011 Palmer
D639,353 S 6/2011 Stibolt
D671,602 S * 11/2012 Bradford D21/621
D672,410 S 12/2012 Dubreuil et al.
(Continued)

(**) Term: **15 Years**

(21) Appl. No.: **29/657,729**

(22) Filed: **Jul. 25, 2018**

(51) **LOC (12) Cl.** **24-04**

(52) **U.S. Cl.**
USPC **D24/195**

(58) **Field of Classification Search**
USPC D24/193, 194, 195, 214; D1/106, 107,
D1/115, 125, 199; D21/418, 483, 496,
D21/576, 584, 621, 628, 650, 684;
D29/113, 118, 121.2; D30/160; D2/605,
D2/606, 607, 614, 622, 980, 983, 984
CPC A61J 17/02
See application file for complete search history.

(56) **References Cited**

U.S. PATENT DOCUMENTS

D248,115 S 6/1978 Tapdrup
D248,881 S 8/1978 Goldfarb et al.
D253,711 S 12/1979 Christiansen et al.
D340,288 S * 10/1993 Reinertsen D24/195
D366,076 S * 1/1996 Pedersen D21/621
5,782,868 A * 7/1998 Moore, Jr. A61J 17/02
606/235
D481,083 S 10/2003 Bresciani et al.
D494,642 S 8/2004 Bresciani et al.
D494,643 S 8/2004 Bresciani et al.

OTHER PUBLICATIONS

“Brickpedia Lego Minifigure History”. Found online Jul. 11, 2019
at lego.fandom.com. Reference dated Dec. 18, 1979. Retrieved from
<https://lego.fandom.com/wiki/Minifigure>.*

(Continued)

Primary Examiner — Kendra Leslie Hamilton
(74) *Attorney, Agent, or Firm* — Nelson Mullins Riley &
Scarborough, LLP

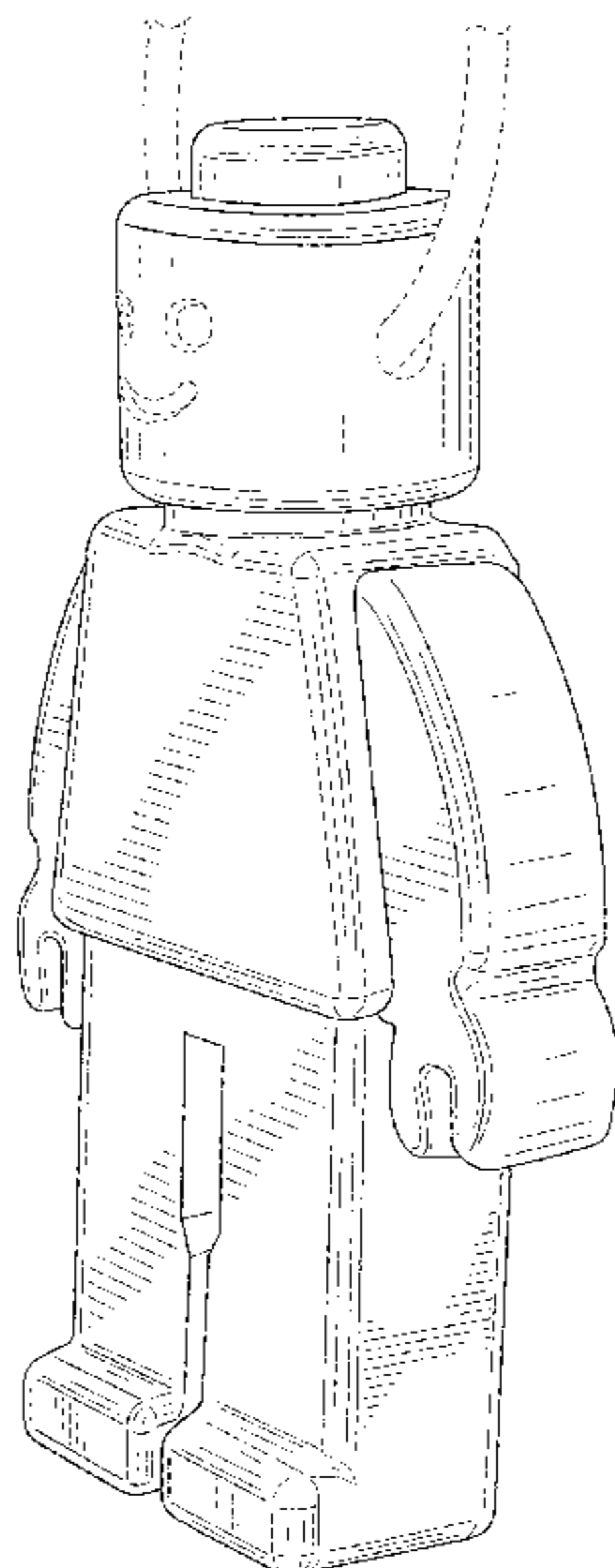
(57) **CLAIM**

The ornamental design for an oral-motor chew pendant,
substantially as shown and described.

DESCRIPTION

FIG. 1 is a top, front, right perspective view of an oral-motor
chew pendant showing our new design in condition for use;
FIG. 2 is a front side elevation view of the oral-motor chew
pendant of FIG. 1;
FIG. 3 is a rear elevation view thereof;
FIG. 4 is a right side elevation view thereof;
FIG. 5 is a left side elevation view thereof;
FIG. 6 is a top plan view thereof; and,
FIG. 7 is a bottom plan view thereof.
The portions shown in broken lines form no part of the
claimed design.

1 Claim, 6 Drawing Sheets



(56)

References Cited

U.S. PATENT DOCUMENTS

D672,413 S	12/2012	Dubreuil et al.	
D677,744 S	3/2013	Yu	
D680,598 S *	4/2013	Geller	D21/621
D683,617 S *	6/2013	Krumpe	D8/402
D697,274 S *	1/2014	Thorne	D24/194
D721,439 S *	1/2015	Swartz	D24/194
9,022,832 B1	5/2015	Skripps	
9,067,147 B1	6/2015	Woodhouse	
D738,966 S	9/2015	Chen	
D740,683 S	10/2015	Kassouni	
D746,171 S	12/2015	Lau et al.	
9,205,344 B2	12/2015	Botterill et al.	
D753,243 S	4/2016	Jaensch	
D754,803 S	4/2016	Jaensch	
D760,328 S	6/2016	Croston et al.	
D760,330 S	6/2016	Croston et al.	
D762,787 S	8/2016	Barbiani et al.	
D790,395 S	6/2017	Beauregard et al.	
D806,327 S *	12/2017	Nguyen	D30/160
D815,295 S *	4/2018	Reed	D24/195
D831,130 S *	10/2018	Davis	D21/621
2005/0004603 A1 *	1/2005	Desousa	A61J 17/02 606/235
2014/0243895 A1 *	8/2014	Kellogg	A61J 17/02 606/235

OTHER PUBLICATIONS

“Fun+Function: Robot Chewy”. Found online Jul. 11, 2019 at funandfunction.com. Reference dated Jan. 2, 2017. Retrieved from <https://funandfunction.com/robot-chewy.html>.*

“Chewbeads: Juniorbeads Spaceman Pendant”. Found online Sep. 28, 2019 at chewbeads.com. Reference dated Nov. 25, 2016. Retrieved from https://tineye.com/search/cf8562f1fe54415a2265278ceb64421ed7f2449d?page=1&sort=crawl_date&order=asc&extension_ver=chrome-1.3.0.*

“Chew Necklace (Block Buddies) by Gnawrishing—2-Pack (Red and Blue with Colored Cords)—Perfect for Autistic, ADHD, SPD, Oral Motor Children, Kids, Boys, and Girls (Tough, Long-Lasting)” webpage, accessed at https://www.amazon.com/Chew-Necklace-Block-Buddies-GNAWRISHING/dp/B07BJFMMSJ/ref=sr_1_3_a_it?ie=UTF8&qid=1531701786&sr=8-3&keywords=gnawrishing on Jul. 15, 2018, all enclosed pages cited.

U.S. Trademark Registration No. 4,903,968, registered Feb. 23, 2016, all enclosed pages cited.

* cited by examiner

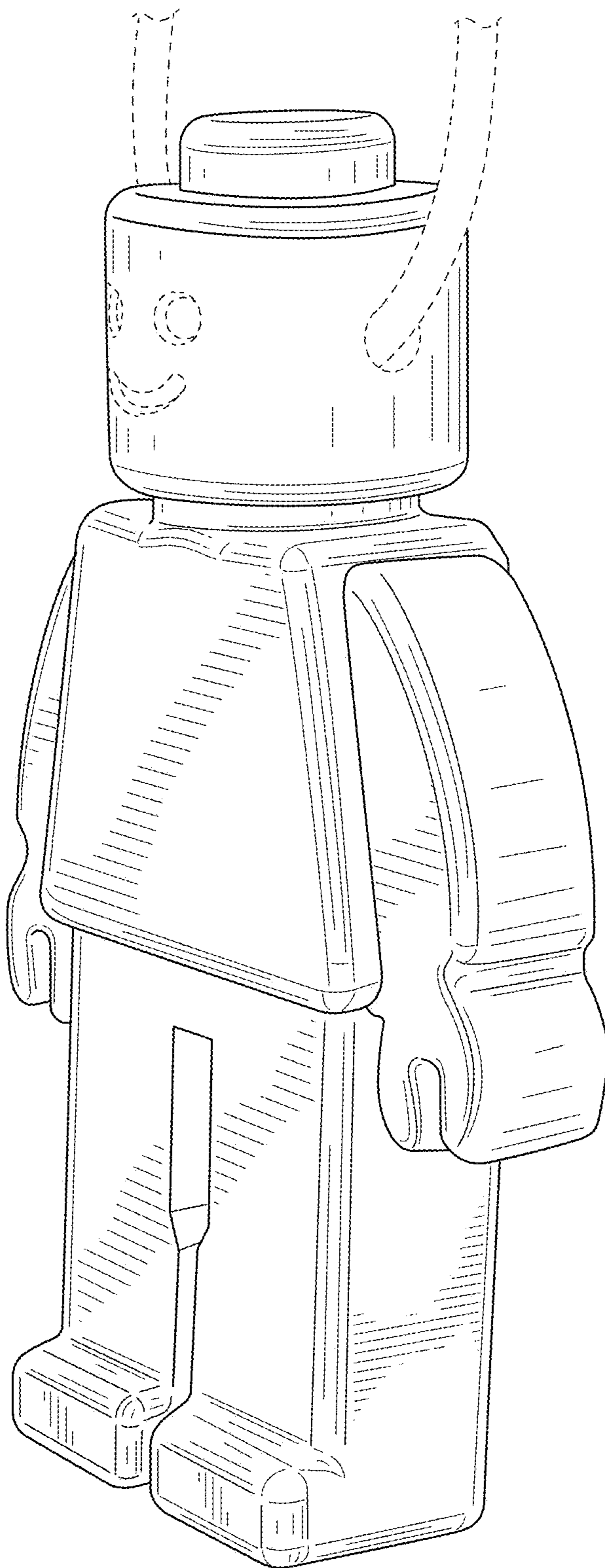


FIG. 1

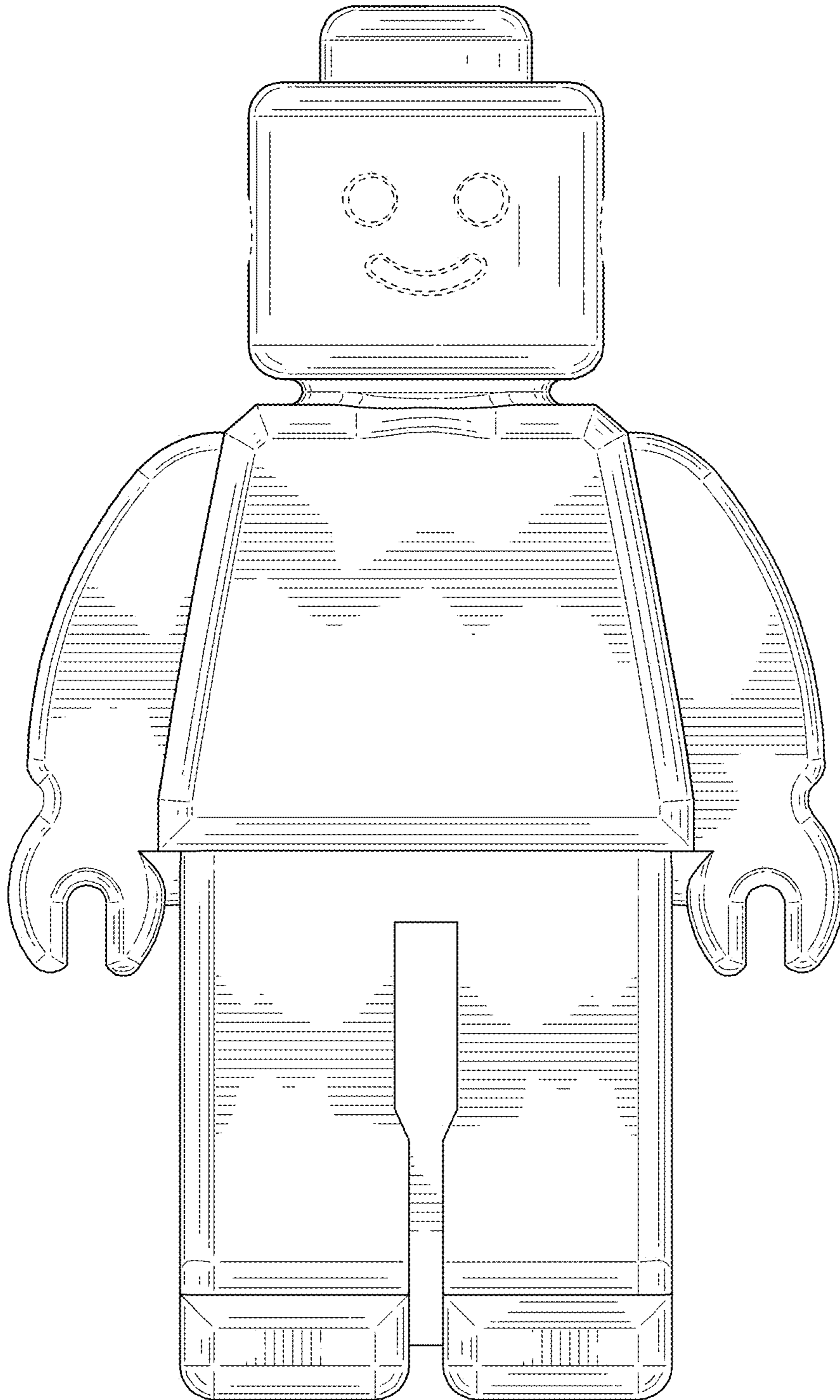


FIG. 2

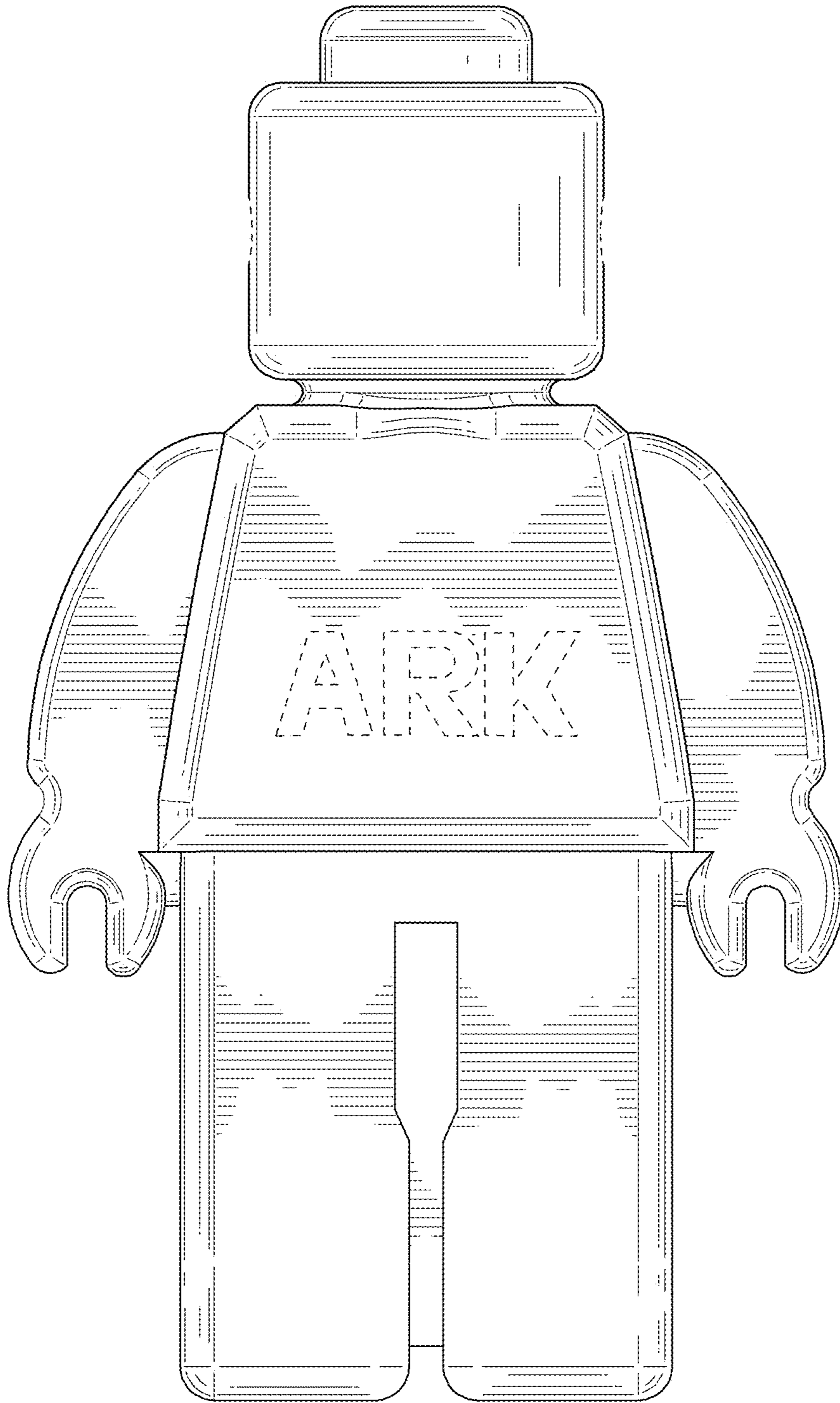


FIG. 3

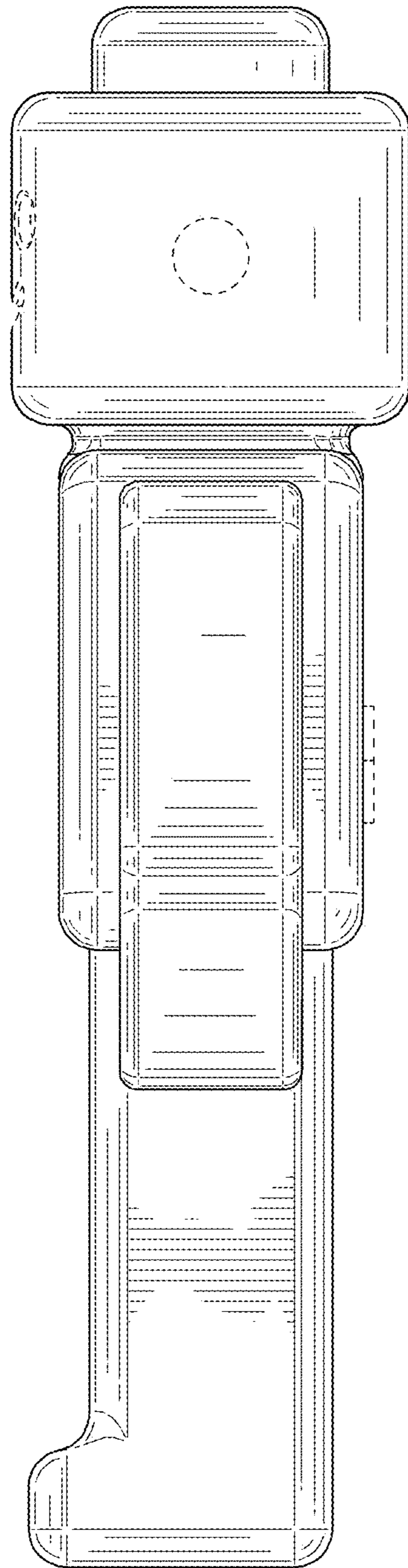


FIG. 4

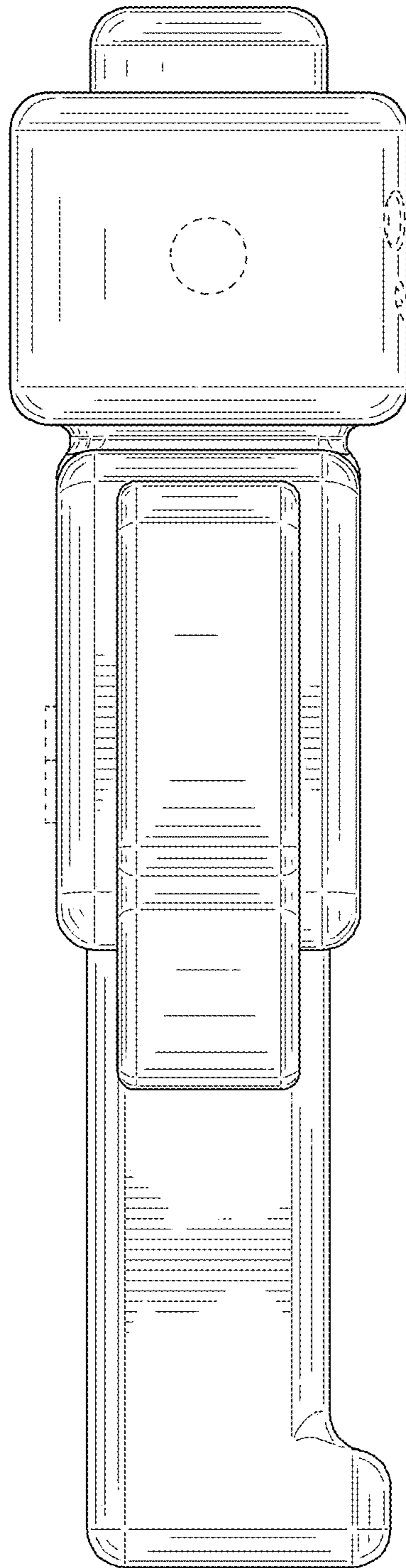


FIG. 5

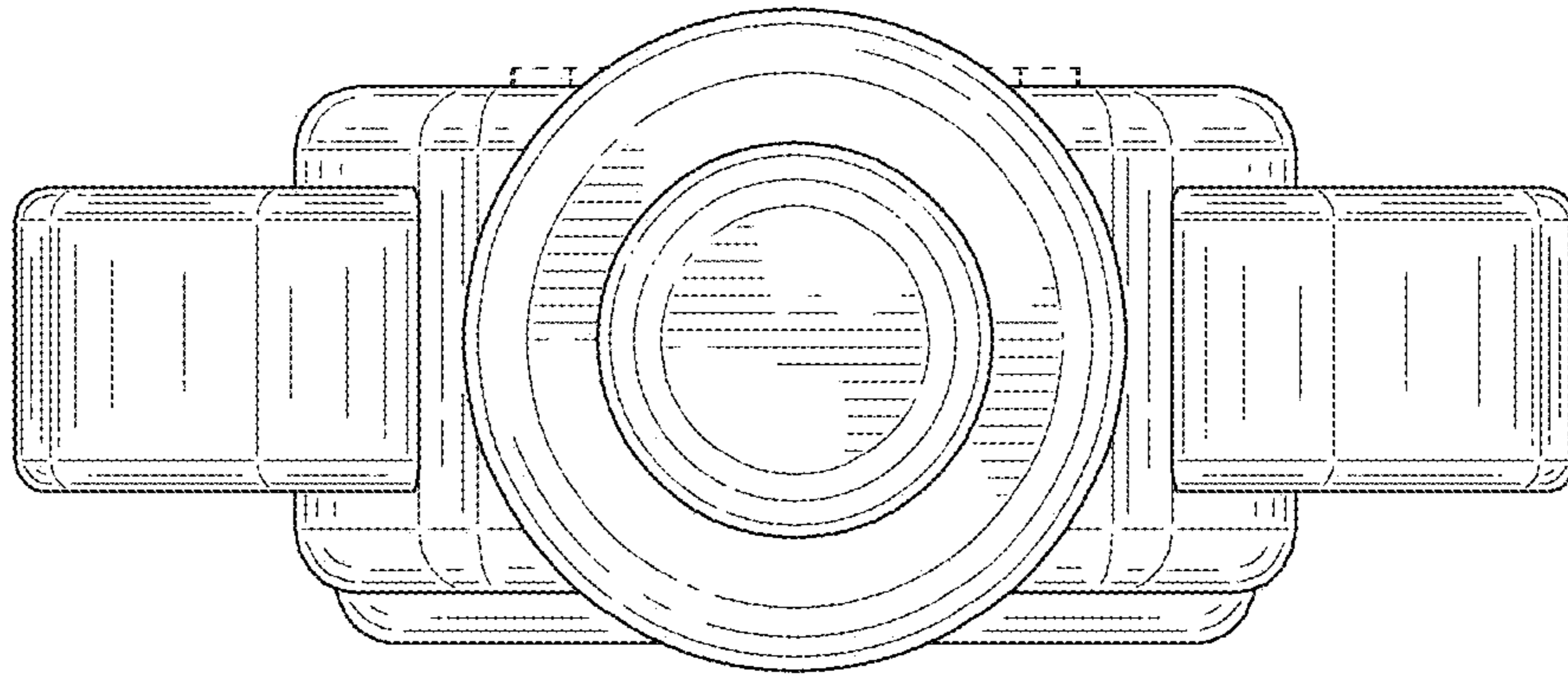


FIG. 6

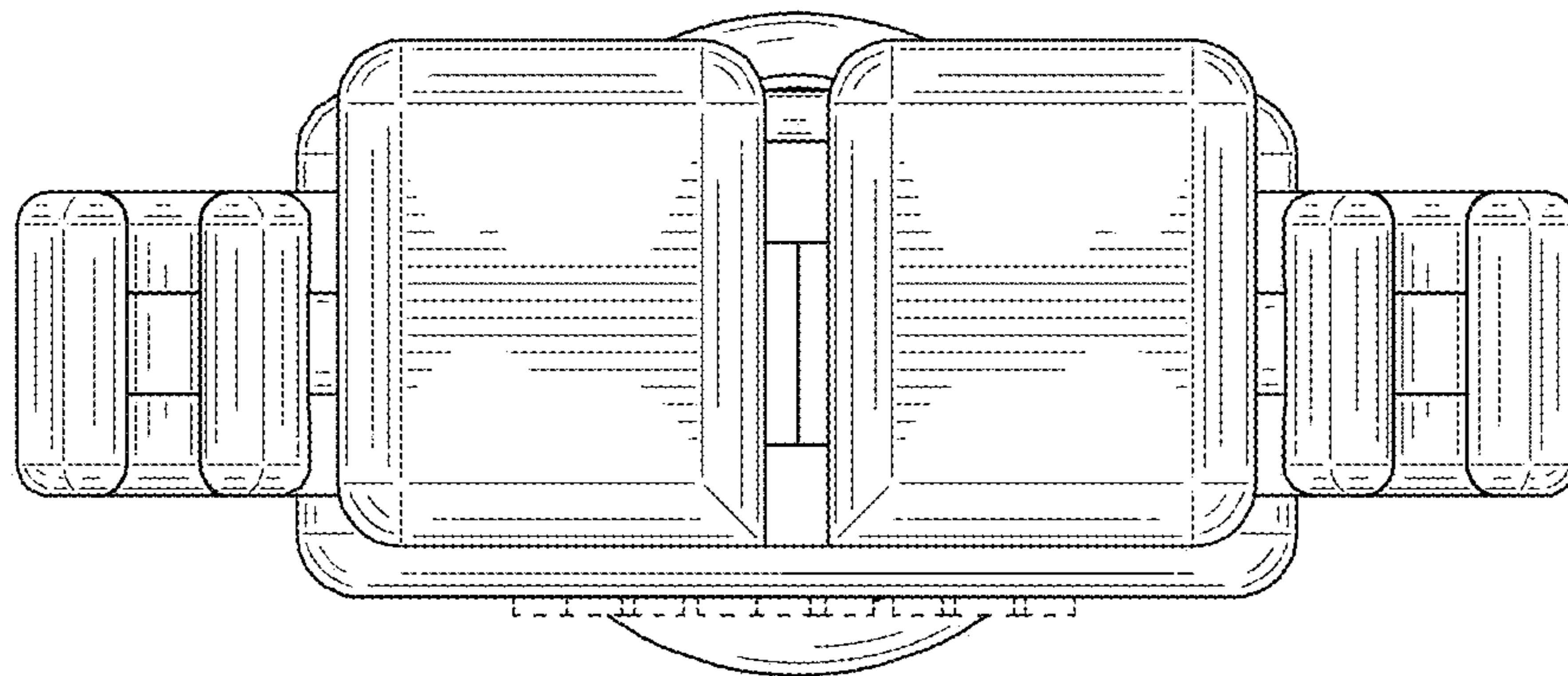


FIG. 7