



US00D887564S

(12) **United States Design Patent** (10) **Patent No.:** **US D887,564 S**
Caneppele et al. (45) **Date of Patent:** **** Jun. 16, 2020**

(54) **ADHESIVE BANDAGE WITH DECORATED PAD**

FOREIGN PATENT DOCUMENTS

(71) Applicant: **Johnson & Johnson Consumer Inc.**, Skillman, NJ (US)

EP 136594 12/1988
EP 0300815 1/1989

(Continued)

(72) Inventors: **Leonardo Caneppele**, São José dos Campos (BR); **Paulo Cesar de Godoy Oriani**, Sao Paulo (BR); **Melinda Cettina**, Skillman, NJ (US)

OTHER PUBLICATIONS

Target. Band-Aid Oh Joy! Adhesive Bandages—20ct. No date specified. <https://www.target.com/p/band-aid-oh-joy-adhesive-bandages-20ct/-/A-17221637> (Year: 0).*

(Continued)

(73) Assignee: **Johnson & Johnson Consumer Inc.**, Skillman, NJ (US)

Primary Examiner — Darcey E Gottschalk

(**) Term: **15 Years**

(21) Appl. No.: **29/654,731**

(57) **CLAIM**

(22) Filed: **Jun. 27, 2018**

We claim the ornamental design for an adhesive bandage with decorated pad, as shown and described.

(51) **LOC (12) Cl.** **24-04**

(52) **U.S. Cl.**

USPC **D24/189**

(58) **Field of Classification Search**

USPC D24/112, 124–128, 132, 133, 185–193, D24/199, 200, 206, 209, 210, 212–215; D29/100, 108, 120.1, 121.1, 121.2; D30/146; D5/4, 46, 49, 53, 56, 58–62, D5/99

CPC . A61M 1/0088; A61F 13/00; A61F 13/00021; A61F 13/066; A61F 13/0206; A61F 13/0203; A61F 13/00025; A61F 13/00038; A61F 13/023; A61F 13/0243; A61F 13/0266

See application file for complete search history.

DESCRIPTION

FIG. 1 is a top perspective view of the present invention; FIG. 2 is a top view of the adhesive bandage with decorated pad depicted in FIG. 1; FIG. 3 is a left side view of the adhesive bandage with decorated pad depicted in FIG. 1; FIG. 4 is a bottom view of the adhesive bandage with decorated pad depicted in FIG. 1; FIG. 5 is a right side view of the adhesive bandage with decorated pad depicted in FIG. 1; FIG. 6 is a front side view of the adhesive bandage with decorated pad depicted in FIG. 1; and, FIG. 7 is a back side view of the adhesive bandage with decorated pad depicted in FIG. 1.

The ornamental design which is claimed is shown in solid lines in the drawings.

The dashed, broken lines in the drawings are shown for the purpose of depicted unclaimed subject matter.

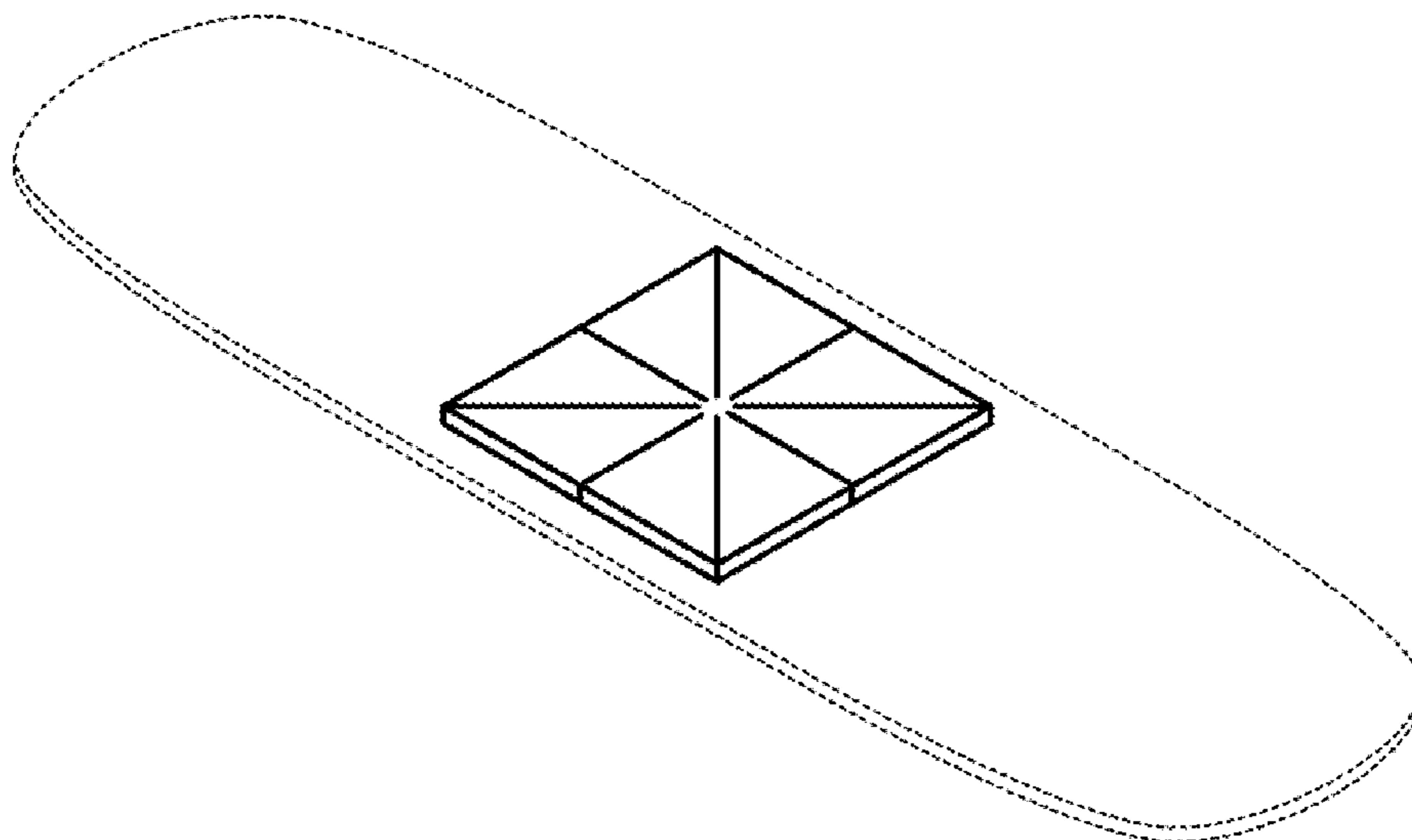
(56) **References Cited**

U.S. PATENT DOCUMENTS

D127,402 S * 5/1941 Schwartz D5/62
2,905,174 A * 9/1959 Smith A61F 13/0203
602/42

(Continued)

1 Claim, 1 Drawing Sheet



(56)

References Cited

U.S. PATENT DOCUMENTS

2,924,331 A * 2/1960 Hoey A61F 13/0203
206/441

2,946,435 A * 7/1960 Schladermundt ... A61F 13/0203
206/441

4,541,426 A 9/1985 Webster

4,545,339 A 10/1985 Kubach

4,612,230 A 9/1986 Liland et al.

5,158,555 A * 10/1992 Porzilli A61F 13/0203
602/47

5,267,952 A 12/1993 Gardner

D383,211 S * 9/1997 Dunshee D24/189

5,667,864 A * 9/1997 Landoll A61F 13/0203
428/74

D387,169 S * 12/1997 Dunshee D24/189

D389,244 S * 1/1998 Dunshee D24/189

D391,639 S * 3/1998 Dunshee D24/189

D402,371 S * 12/1998 Haynes D24/189

D404,136 S * 1/1999 Dunshee D24/189

D407,160 S * 3/1999 Dunshee D24/189

D410,087 S * 5/1999 Dunshee D24/189

5,919,411 A 7/1999 Rezai et al.

5,964,742 A * 10/1999 McCormack D04H 1/54
604/380

D422,151 S * 4/2000 Hwang et al. D5/59

6,162,960 A * 12/2000 Klein A61F 13/00063
602/41

6,297,420 B1 * 10/2001 Heincke A61F 13/0206
602/41

D495,419 S * 8/2004 Dunshee D24/189

D514,703 S * 2/2006 Palomino, Jr. D24/189

D573,260 S * 7/2008 Dunshee D24/189

D578,651 S * 10/2008 Dunshee D24/189

D636,607 S * 4/2011 Withers A47J 36/02
D5/56

7,982,087 B2 * 7/2011 Greener A61F 13/0203
602/42

8,236,083 B2 8/2012 Garcia et al.

8,283,514 B2 * 10/2012 Baschnagel A61F 13/0203
424/443

8,387,497 B2 3/2013 Raidel et al.

D683,035 S * 5/2013 Dunshee D24/189

D697,216 S * 1/2014 Chan D24/189

8,680,360 B2 3/2014 Greener et al.

D707,829 S * 6/2014 Chan D24/189

D708,751 S * 7/2014 Chan D24/189

D714,560 S * 10/2014 Xu D5/56

D745,688 S * 12/2015 Chan D24/189

D745,689 S * 12/2015 Chan D24/189

D745,690 S * 12/2015 Devenish D24/189

D748,921 S * 2/2016 Romano, III D5/30

D749,210 S * 2/2016 Appelbaum D24/128

9,308,115 B2 * 4/2016 Quinn A61F 5/40

D757,950 S * 5/2016 Karlsson D24/189

D765,993 S * 9/2016 Palzewicz D5/53

D770,631 S * 11/2016 Green D24/189

D773,194 S * 12/2016 Hurley D5/56

9,511,215 B2 * 12/2016 Skiba A61N 1/30

D777,456 S * 1/2017 Azeredo D5/59

D789,616 S * 6/2017 Votel D29/121.1

D790,071 S * 6/2017 Ahsani D24/189

9,820,888 B2 11/2017 Greener et al.

D807,518 S * 1/2018 Gildersleeve A41D 13/015
D24/189

D823,608 S * 7/2018 Stephani D5/56

D825,202 S * 8/2018 Stephani D5/62

D840,026 S * 2/2019 Candy D24/124

10,219,953 B2 * 3/2019 Dewitt A61F 13/0206

D845,647 S * 4/2019 Zhu D5/58

D848,004 S * 5/2019 Del Rossi D24/189

10,299,966 B2 * 5/2019 Pigg A61F 13/0203

D851,776 S * 6/2019 Weinstein D24/206

D851,944 S * 6/2019 Toelke D5/59

D851,945 S * 6/2019 Toelke D5/59

D851,946 S * 6/2019 Toelke D5/60

D851,947 S * 6/2019 Toelke D5/60

10,307,587 B2 * 6/2019 King A61N 1/205

D852,512 S * 7/2019 Toelke D5/59

D852,513 S * 7/2019 Toelke D5/59

D852,514 S * 7/2019 Toelke D5/59

D856,005 S * 8/2019 Chaturvedi D5/58

2004/0002676 A1 * 1/2004 Siegwart A61F 13/0203
602/58

2010/0100022 A1 4/2010 Greener et al.

2010/0179463 A1 7/2010 Greener et al.

2012/0041402 A1 2/2012 Greener

2012/0220973 A1 * 8/2012 Chan A61F 13/0223
604/384

2012/0220974 A1 8/2012 Chan et al.

2012/0220975 A1 * 8/2012 Chan A61F 13/0206
604/384

2014/0094730 A1 4/2014 Greener et al.

2018/0289559 A1 * 10/2018 Caneppele A61F 13/0243

2019/0099297 A1 * 4/2019 Cettina A61F 13/0206

FOREIGN PATENT DOCUMENTS

EP 3085344 10/2016

GB 821959 10/1959

WO 2010/097570 9/2010

WO 2014/149718 9/2014

WO 2016/030047 3/2016

WO 2016/081708 5/2016

OTHER PUBLICATIONS

The Next Plate. Creative Cake Cutting Idea. Oct. 27, 2010. <https://thenextplate.tumblr.com/> (Year: 2010).*

Douglas Flynt. Accurate Ellipses. Aug. 8, 2011; Oct. 11, 2011. <http://douglasflynt.blogspot.com/2011/08/accurate-ellipses.html> (Year: 2011).*

U.S. Appl. No. 29/643,723, filed Apr. 11, 2018.

U.S. Appl. No. 29/643,725, filed Apr. 11, 2018.

U.S. Appl. No. 15/950,319, filed Apr. 11, 2018.

U.S. Appl. No. 15/950,326, filed Apr. 11, 2018.

U.S. Appl. No. 15/950,341, filed Apr. 11, 2018.

U.S. Appl. No. 15/950,346, filed Apr. 11, 2018.

U.S. Appl. No. 29/654,725, filed Jun. 27, 2018.

U.S. Appl. No. 29/654,726, filed Jun. 27, 2018.

U.S. Appl. No. 29/654,728, filed Jun. 27, 2018.

U.S. Appl. No. 29/672,807, filed Dec. 10, 2018.

U.S. Appl. No. 29/672,805, filed Dec. 10, 2018.

International Search Report—PCT/US2018/027018, dated Jun. 20, 2018.

International Search Report—PCT/US2018/027017, dated Jun. 20, 2018.

Amazon. Band-Aid Brand Tru-Stay Sheer Strips Adhesive Bandages for First Aid Review by “k1dpr”. Mar. 7, 2017. https://www.amazon.com/dp/B0009STDOW/ref=psdc_3762721_t4_B00B6A6Y9E (Year 2017).

“‘Band-Aid’ wound power pad for elbow and knee protection”, published in “‘Protection series’, new for ‘Band-Aid’ would power pad, effectively protecting shallow and broad wound”, dated Mar. 16, 2010, stored in and published from Internet Archive, run by the U.S. non-profit corporation Internet Archive (output date: May 12, 2014). Internet Archive URL: <https://web.archive.org/web/20100316073304/http://www.jnj.co.jp/group/press/2009/0309/index.html>.

Democrat and Chronicle. Old-school Snake game is making a comeback by WUSA 9 Staff. May 7, 2015. <https://www.democratandchronicle.com/story/news/local/2015/05/07/snake-game-makes-comeback/70938102/> (Year 2015).

iStock Photo. Seamless pattern with zigzag and triple X shaped line segments stock illustration. Jul. 2, 2018. <https://www.istockphoto.com/vector/seamless-pattern-with-zigzag-and-triple-x-shaped-line-segments-gm990118502-268386144> (Year 2018).

Nancy Cartwright. Nancy Cartwright Takes Over as “Chuckie” on The Rugrats. Jul. 2, 2002. <https://nancycartwright.com/news/nancy-takes-over-as-chuckie-on-the-rugrats/> (Year 2002).

(56)

References Cited

OTHER PUBLICATIONS

Miller Pads and paper. Graph Paper Pad. No date specified. [Http://millerpadsandpaper.com/graph-paper-pad/](http://millerpadsandpaper.com/graph-paper-pad/) (Year 0).

Shutterstock. Abstract black geometric background. Dots and line. By Djem. No date specified. <https://www.shutterstock.com/image-vector/abstract-black-geometric-background-dots-line-232331239> (Year 0).

* cited by examiner

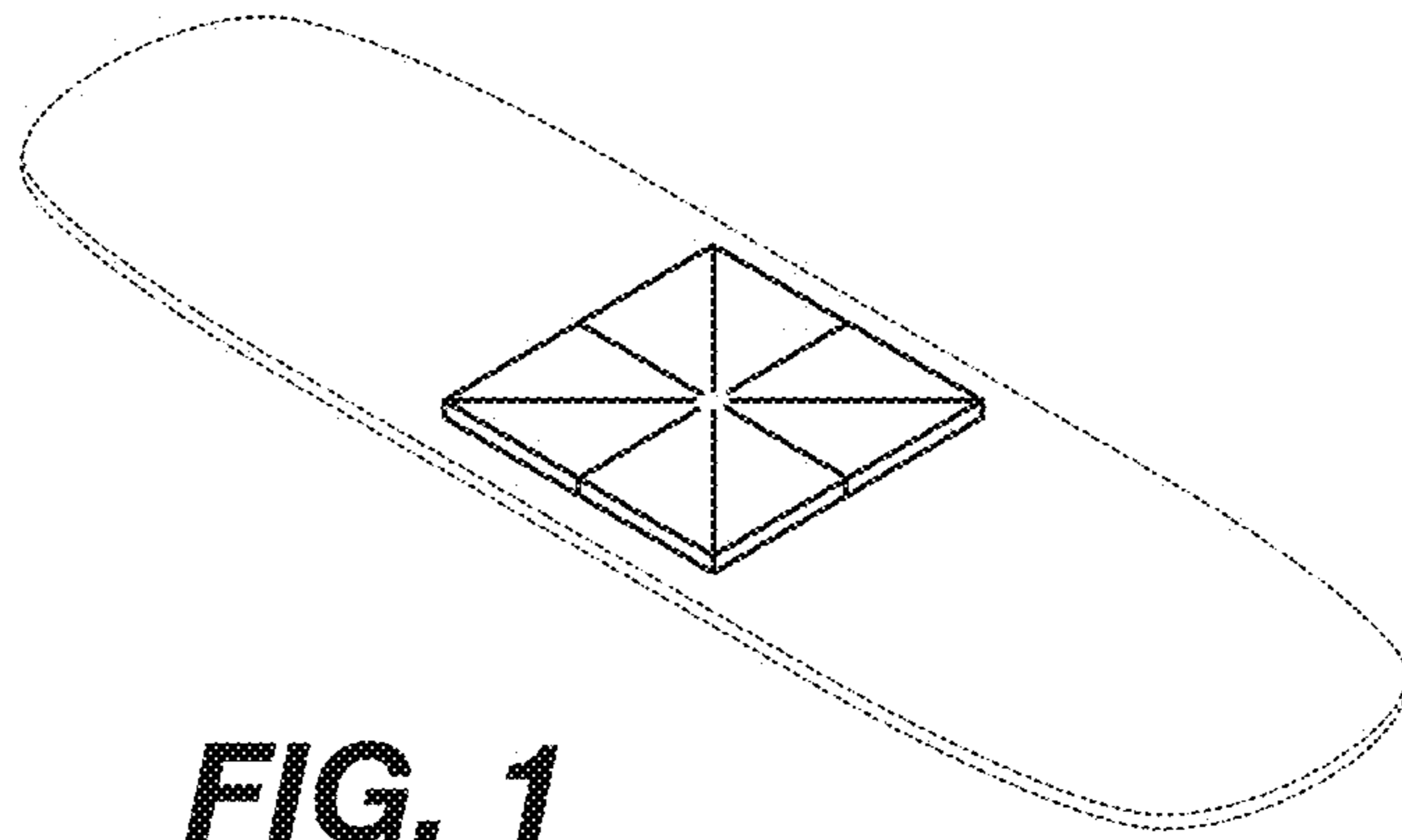


FIG. 1

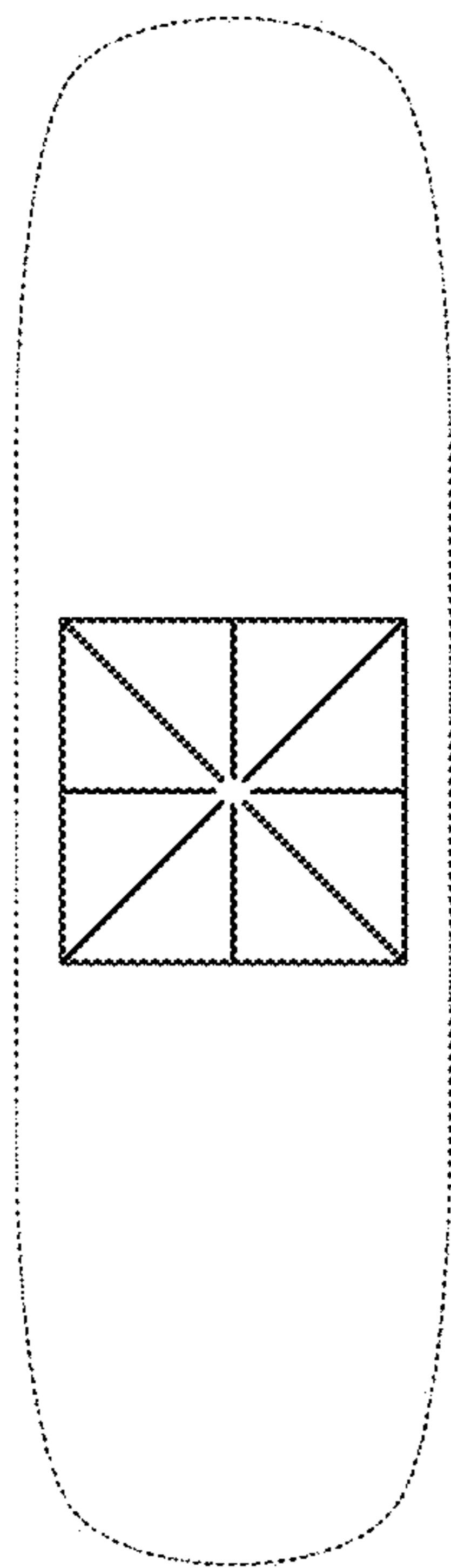


FIG. 2



FIG. 3

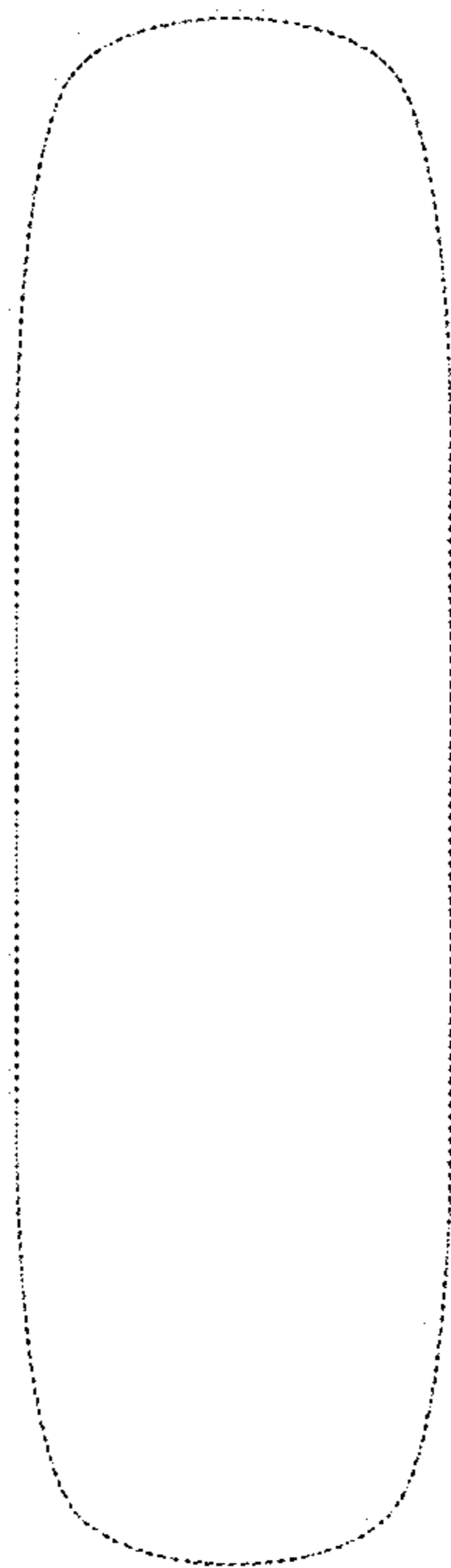


FIG. 4

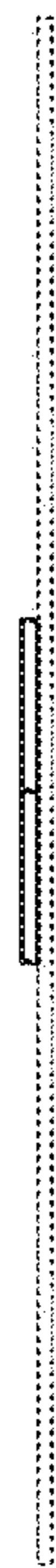


FIG. 5



FIG. 6

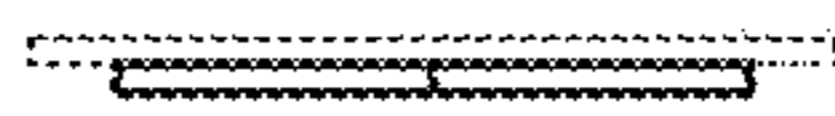


FIG. 7