



US00D887560S

(12) **United States Design Patent**
McConnell

(10) **Patent No.:** **US D887,560 S**

(45) **Date of Patent:** **** Jun. 16, 2020**

(54) **FETAL HEARTBEAT MONITORING BAND**
(71) Applicant: **Jennifer McConnell**, Fresno, CA (US)
(72) Inventor: **Jennifer McConnell**, Fresno, CA (US)
(**) Term: **15 Years**

(21) Appl. No.: **29/673,644**

(22) Filed: **Dec. 17, 2018**

(51) **LOC (12) Cl.** **24-01**

(52) **U.S. Cl.**
USPC **D24/186**

(58) **Field of Classification Search**
USPC D24/107, 165-168, 186, 187; D10/32,
D10/70, 98; D14/344; D11/5
CPC A61B 5/0011; A61B 5/050022; A61B
5/02411; A61B 5/0444; A61B 5/0448;
A61B 5/4356; A61B 5/4362; A61B
5/6833; A61B 8/02; A61B 8/08; A61B
8/0866; A61B 8/4227; A61B 8/4281;
A61B 8/488; A61F 5/028; A61F 5/048;
A61F 5/02438; A61F 5/6803
See application file for complete search history.

(56) **References Cited**

U.S. PATENT DOCUMENTS

D595,858 S * 7/2009 Kazel D24/186
D711,002 S * 8/2014 Ohnemus D24/186
D716,458 S * 10/2014 Snyder D24/186
D717,956 S * 11/2014 Alexander D24/167

D739,943 S * 9/2015 Pernu D24/167
D753,314 S * 4/2016 Stivoric D24/187
D800,596 S * 10/2017 Ling D11/5
D805,413 S * 12/2017 Chen D10/70
D831,644 S * 10/2018 Wu D14/344
10,212,499 B1 * 2/2019 Groomer H04R 1/025
D854,168 S * 7/2019 He H04R 1/025
D24/187
D863,561 S * 10/2019 McCalmont D24/187
2015/0223709 A1 * 8/2015 Lee A61B 5/02438
600/384

* cited by examiner

Primary Examiner — Anhdao Doan

(74) *Attorney, Agent, or Firm* — Sanchelima &
Associates, P.A.; Christian Sanchelima; Jesus Sanchelima

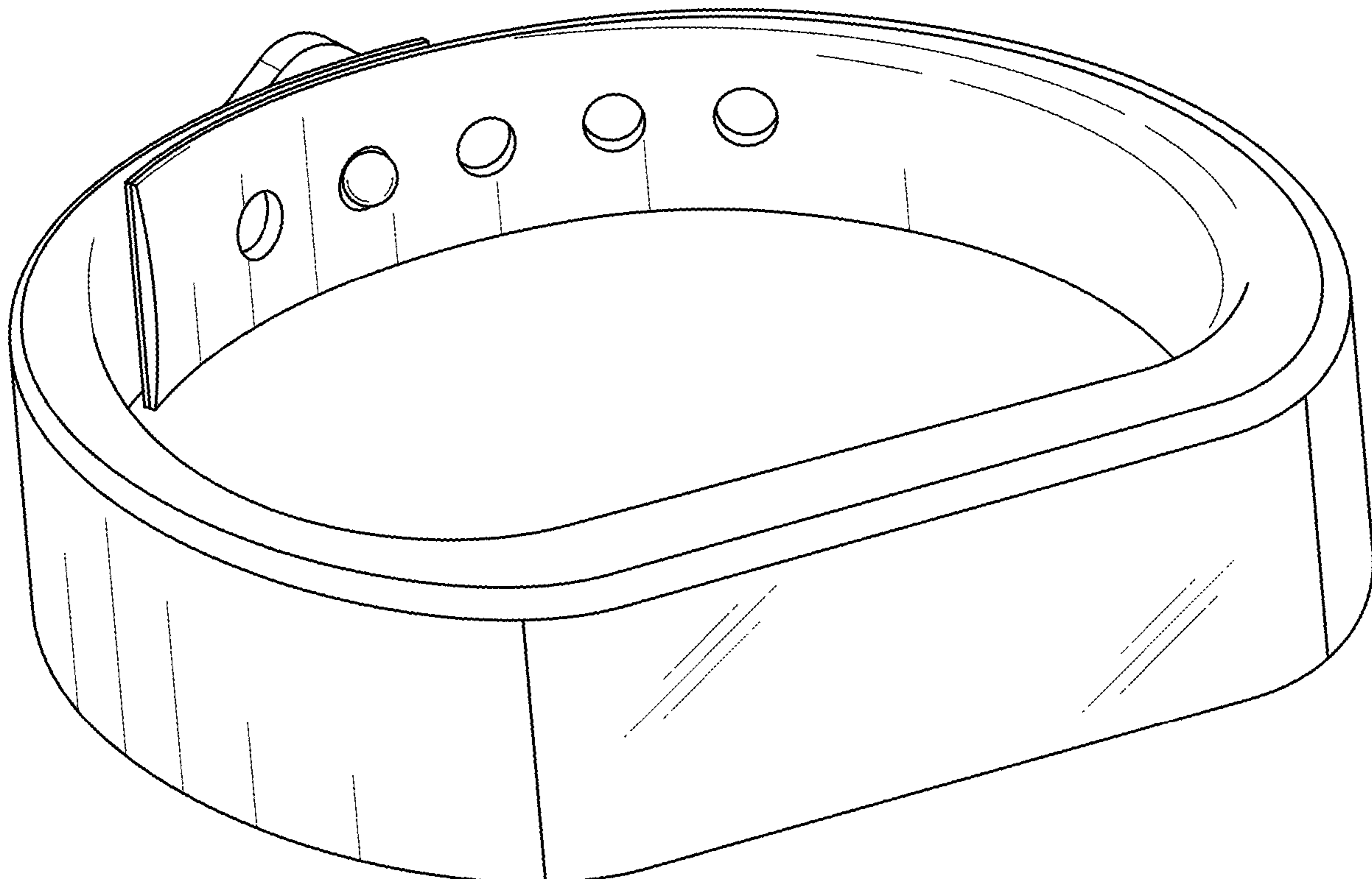
(57) **CLAIM**

The ornamental design for fetal heartbeat monitoring band,
as shown and described.

DESCRIPTION

FIG. 1 is an isometric view of a fetal heartbeat monitoring
band showing my new design;
FIG. 2 is a front view thereof;
FIG. 3 is a rear view thereof;
FIG. 4 is a left side view thereof;
FIG. 5 is a right side view thereof;
FIG. 6 is a top view thereof; and,
FIG. 7 is a bottom view thereof.

1 Claim, 5 Drawing Sheets



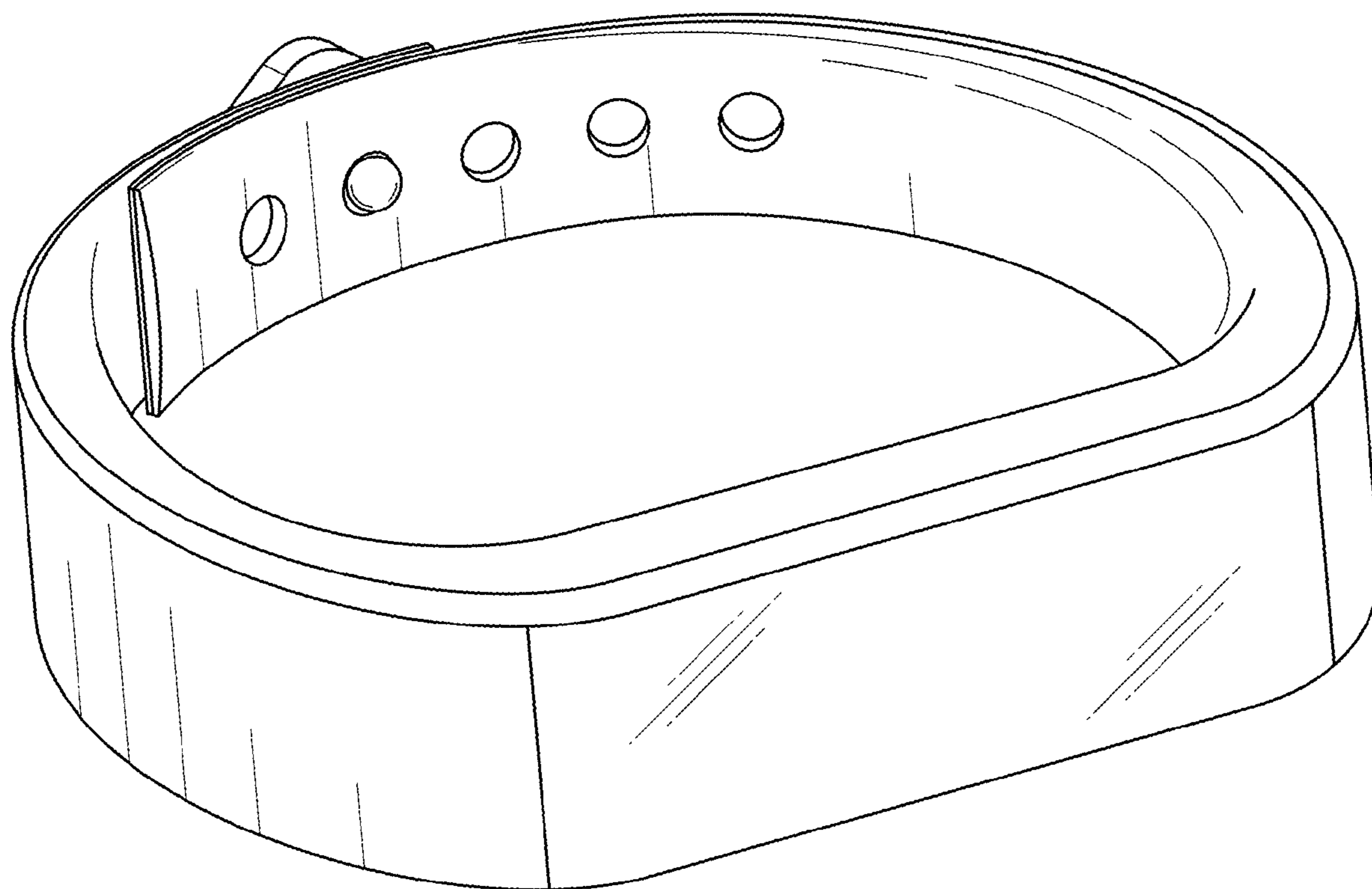


FIG. 1

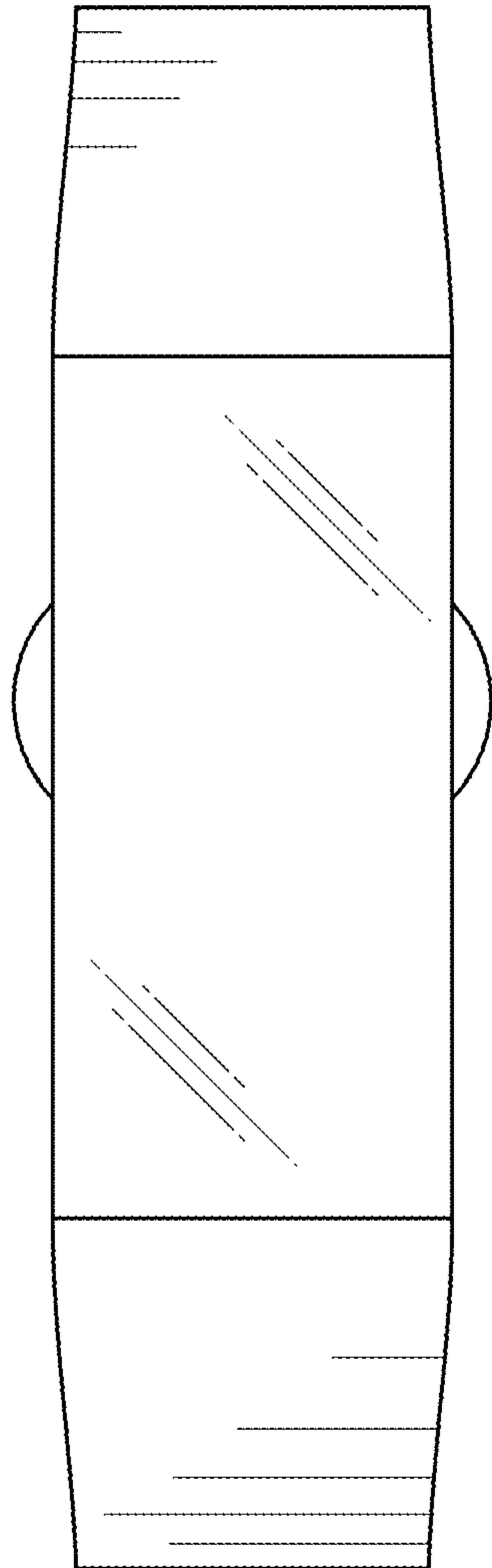


FIG. 2

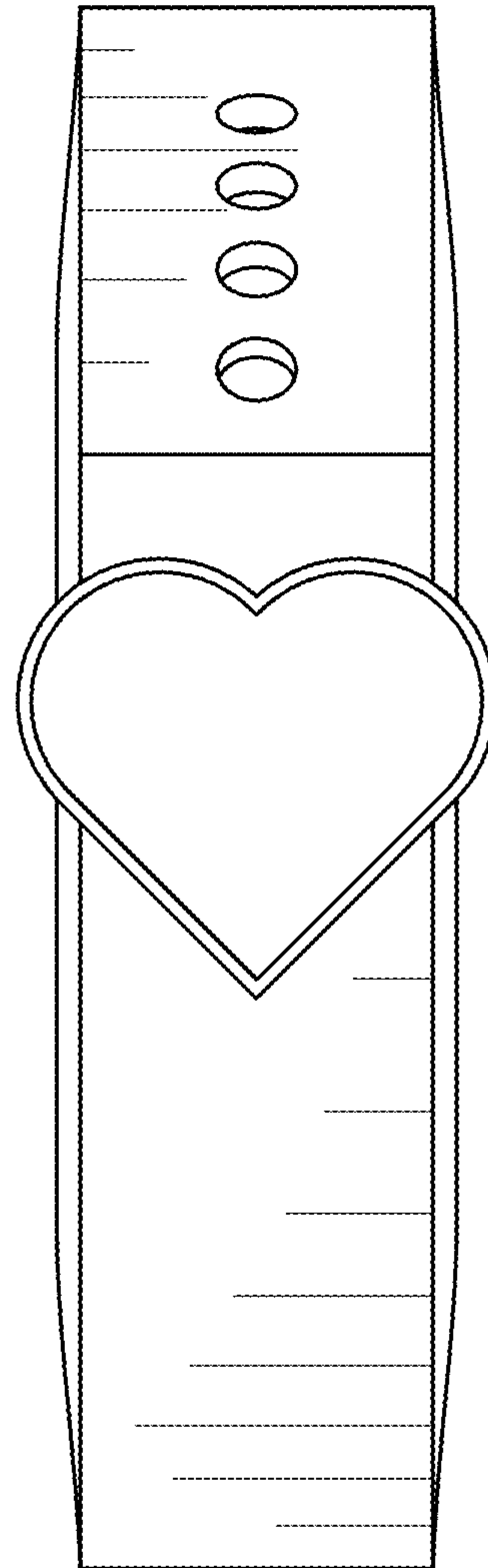


FIG. 3

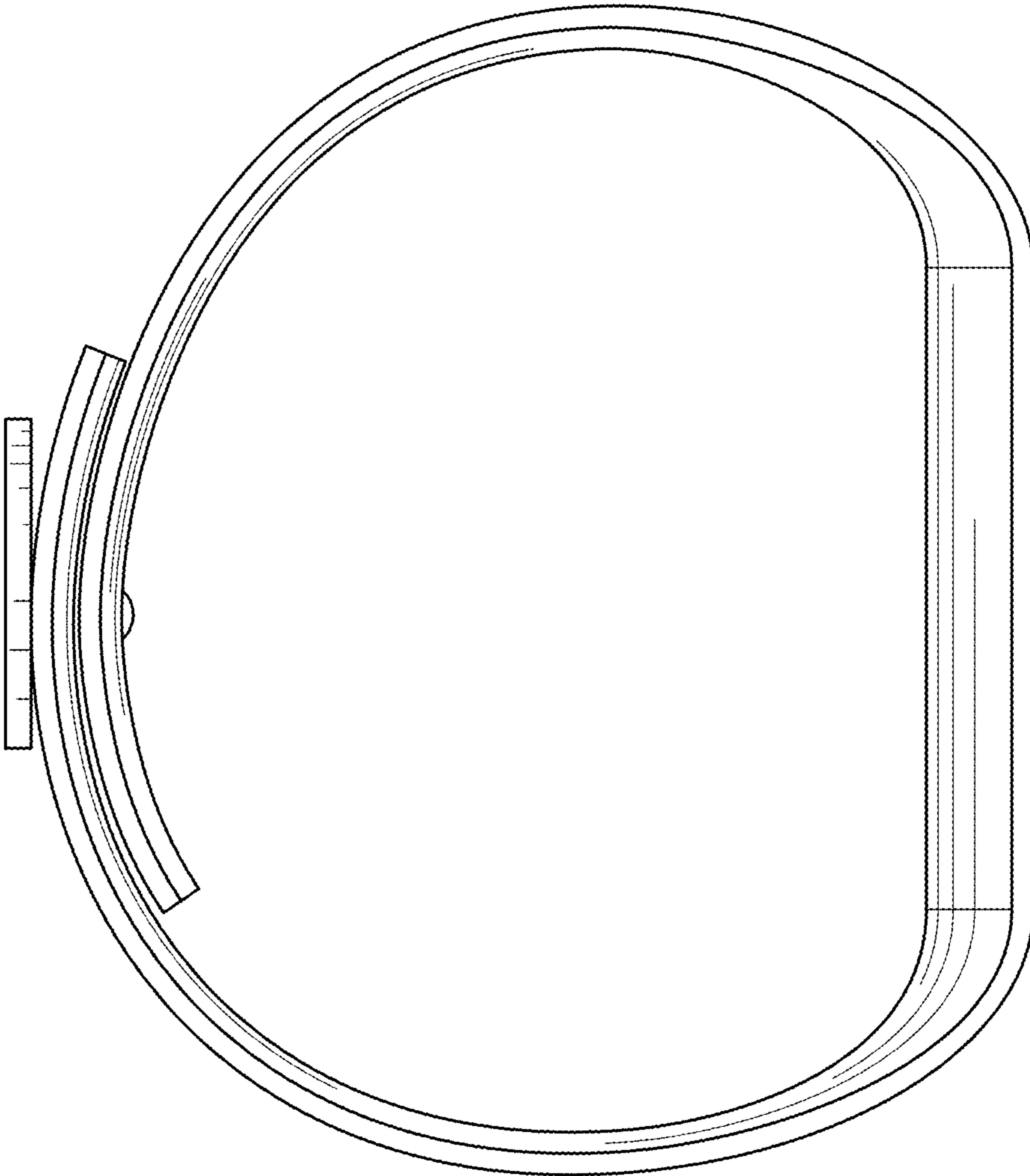


FIG. 4

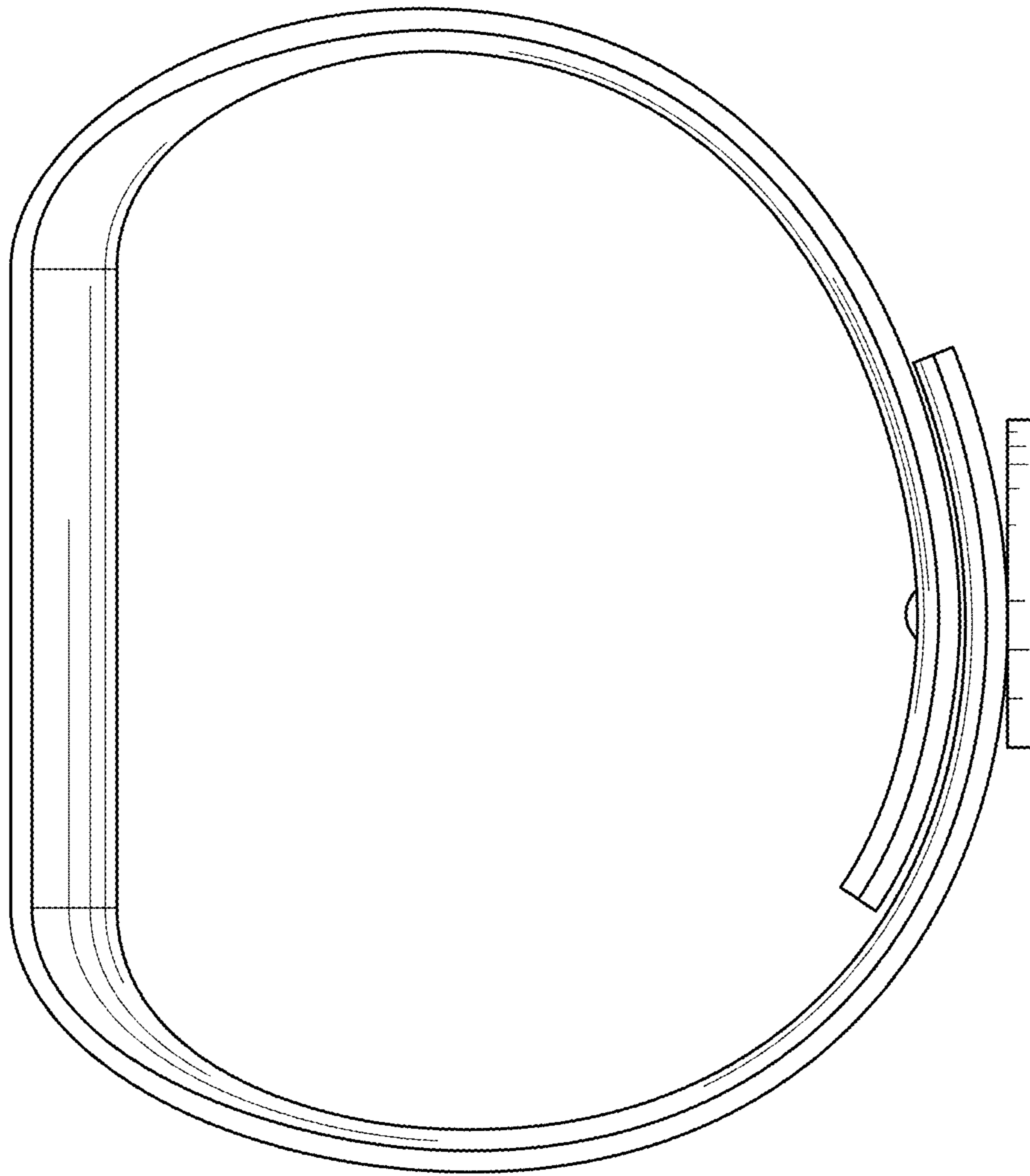


FIG. 5

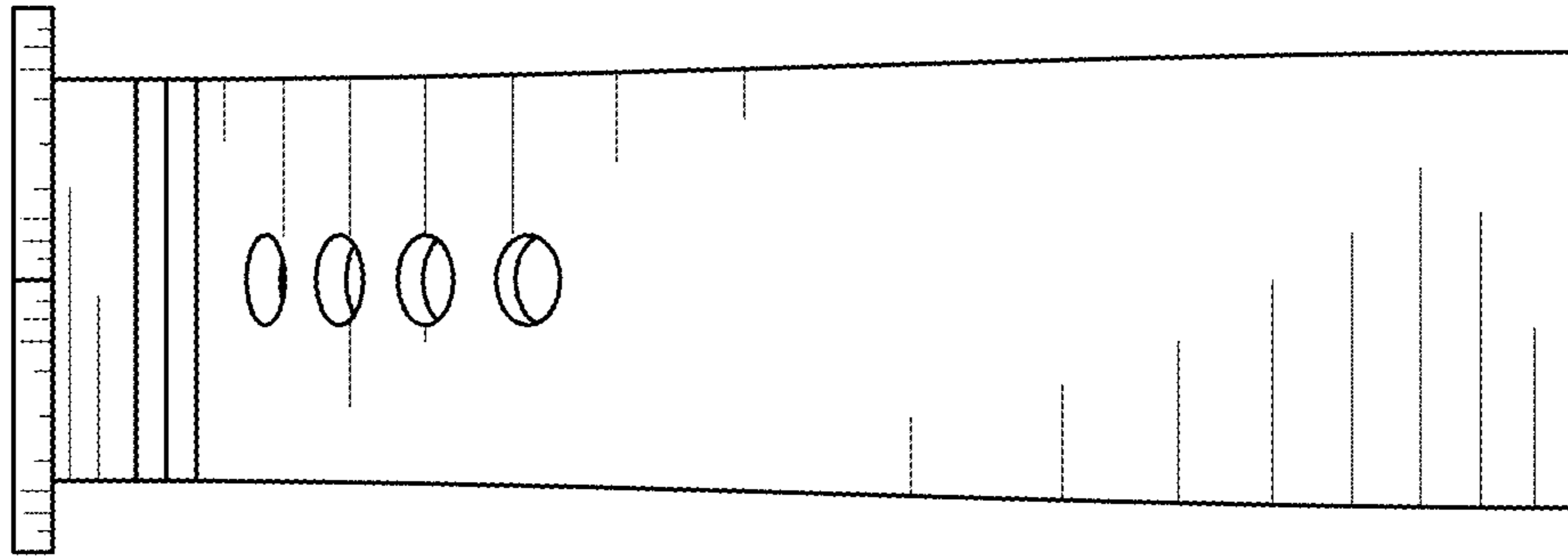


FIG. 6

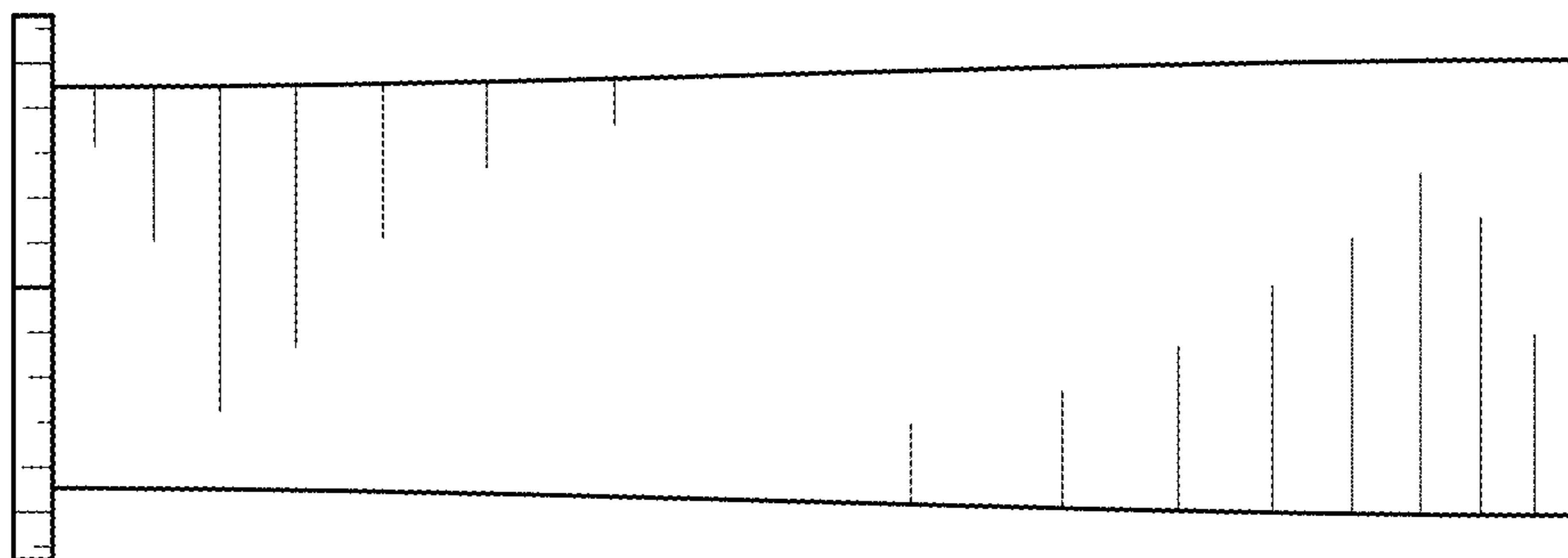


FIG. 7