



US00D887559S

(12) **United States Design Patent**
Esfandiari

(10) **Patent No.:** **US D887,559 S**
(45) **Date of Patent:** **** Jun. 16, 2020**

(54) **RAPID DIAGNOSTIC TEST READER**

D833,033 S * 11/2018 Foster D24/233
D857,903 S * 8/2019 Esfandiari D24/185
2013/0203627 A1* 8/2013 Moll G01N 21/6486
506/9

(71) Applicant: **Chembio Diagnostic Systems, Inc.**,
Medford, NY (US)

(72) Inventor: **Javanbakhsh Esfandiari**, Stony Brook,
NY (US)

(73) Assignee: **Chembio Diagnostic Systems, Inc.**,
Medford, NY (US)

(**) Term: **15 Years**

(21) Appl. No.: **29/663,989**

(22) Filed: **Sep. 20, 2018**

(51) **LOC (12) Cl.** **24-01**

(52) **U.S. Cl.**
USPC **D24/186**

(58) **Field of Classification Search**
USPC D24/186, 107-108, 169, 216-219,
D24/223-225, 229-233; D10/81
CPC Y10S 436/806; Y10S 436/809; Y10S
977/918; B01D 15/3804; B01D 15/10;
B01D 15/3809; B01D 15/3857; B01L
2300/0867; B01L 7/52; G06K 9/00127;
G01N 33/53; G01N 2035/00306; G01N
2035/00326; G01N 2035/00336; G01N
2035/00366

See application file for complete search history.

(56) **References Cited**

U.S. PATENT DOCUMENTS

D583,474 S * 12/2008 Mitsunami D24/165
D598,551 S * 8/2009 Miwa D24/186
D612,503 S * 3/2010 Johnston D24/186
D682,432 S * 5/2013 Khan D24/186
D717,440 S * 11/2014 Shibata D24/165
D737,702 S * 9/2015 Selberg D10/81
D762,860 S * 8/2016 He D24/186
D802,768 S * 11/2017 Rider D24/165
D818,146 S * 5/2018 Tanaka D24/216
D822,844 S * 7/2018 Smith D24/216

OTHER PUBLICATIONS

Lateral Flow Reader, available at <https://www.lateralflowreader.com>, downloaded from the internet May 10, 2018.

* cited by examiner

Primary Examiner — Lilyana Bekic

Assistant Examiner — Mary Shannon Malley

(74) *Attorney, Agent, or Firm* — Gordon & Jacobson,
P.C.

(57) **CLAIM**

The ornamental design for a rapid diagnostic test reader, as shown and described.

DESCRIPTION

FIG. 1 is a top-front perspective view of a rapid diagnostic test reader;

FIG. 2 is a bottom-rear perspective view of the rapid diagnostic test reader of FIG. 1;

FIG. 3 is a front view of the rapid diagnostic test reader of FIG. 1;

FIG. 4 is a rear view of the rapid diagnostic test reader of FIG. 1;

FIG. 5 is a left side view of the rapid diagnostic test reader of FIG. 1;

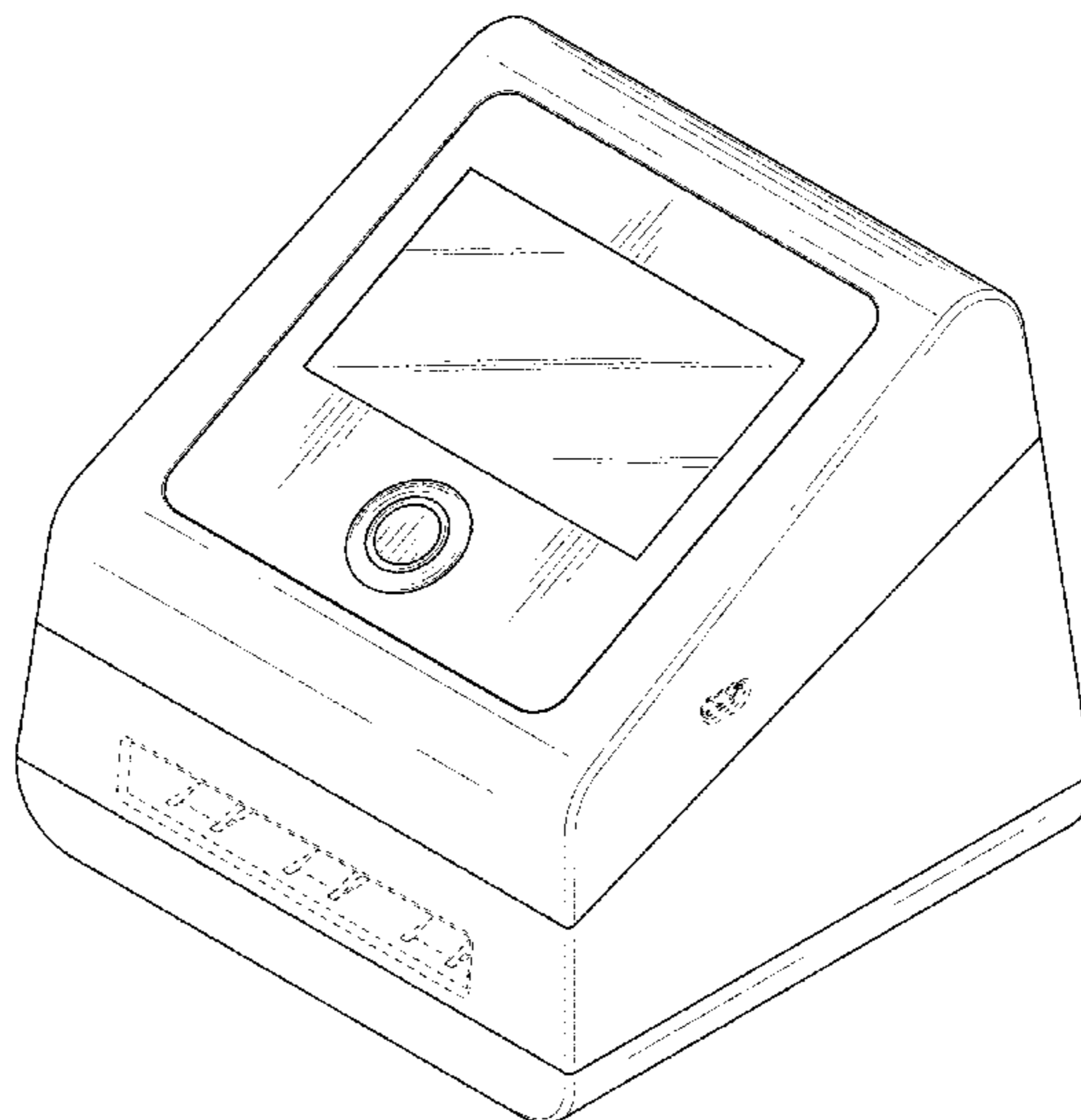
FIG. 6 is a right side view of the rapid diagnostic test reader of FIG. 1;

FIG. 7 is a top view of the rapid diagnostic test reader of FIG. 1; and,

FIG. 8 is a bottom view of the rapid diagnostic test reader of FIG. 1.

The broken lines depict portions of the rapid diagnostic test reader that form no part of the claimed design.

1 Claim, 8 Drawing Sheets



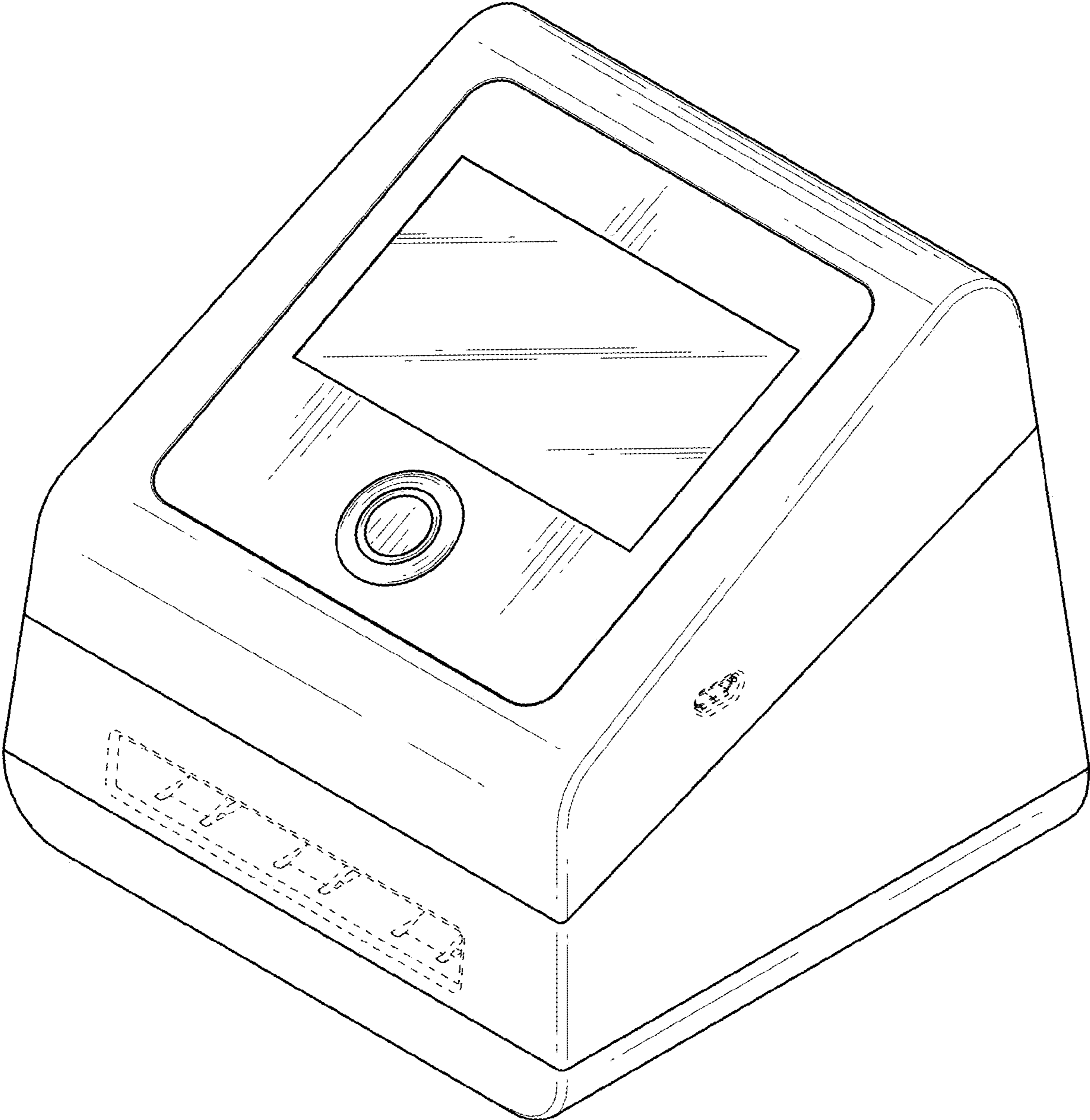


FIG. 1

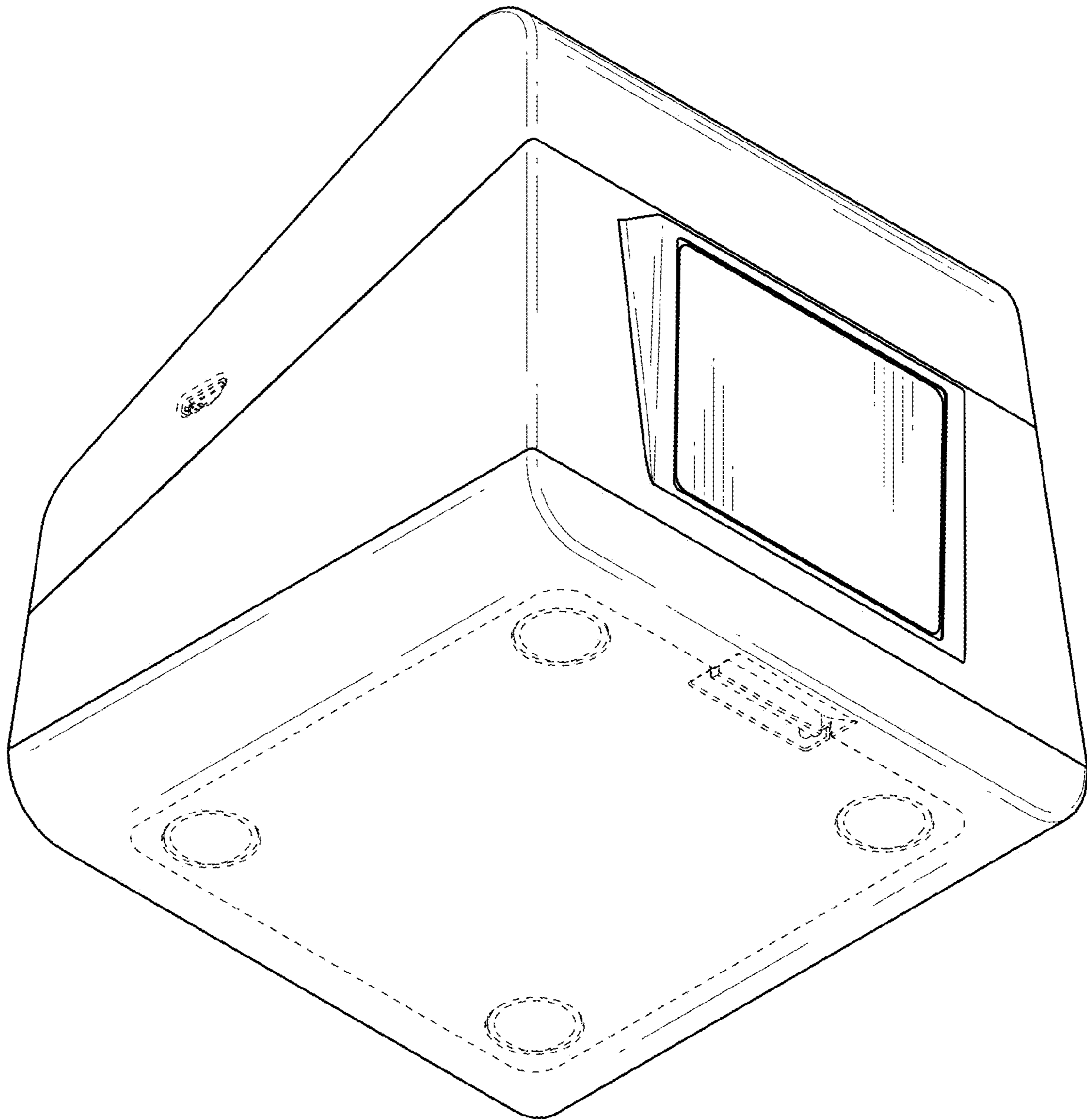


FIG. 2

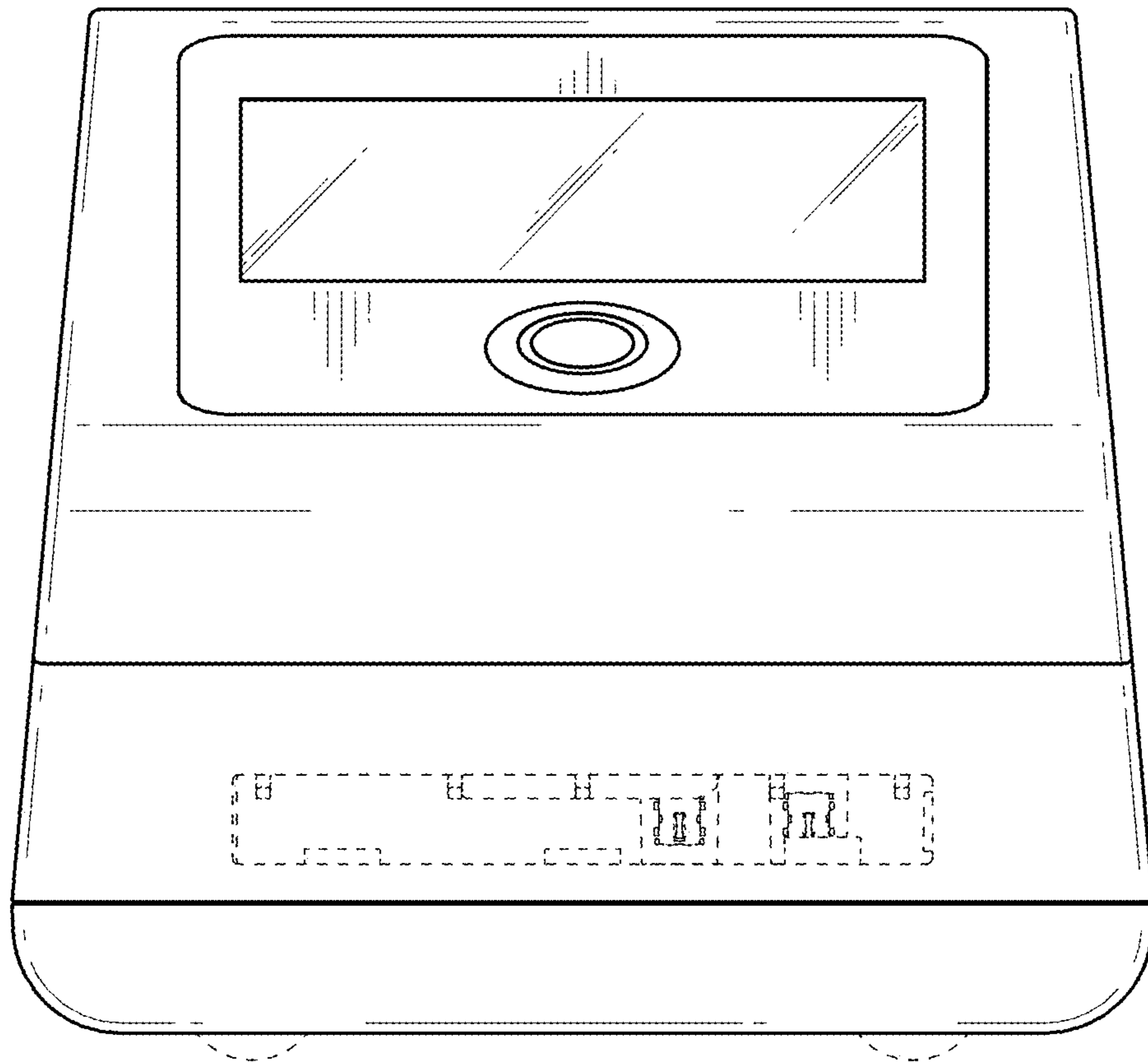


FIG. 3

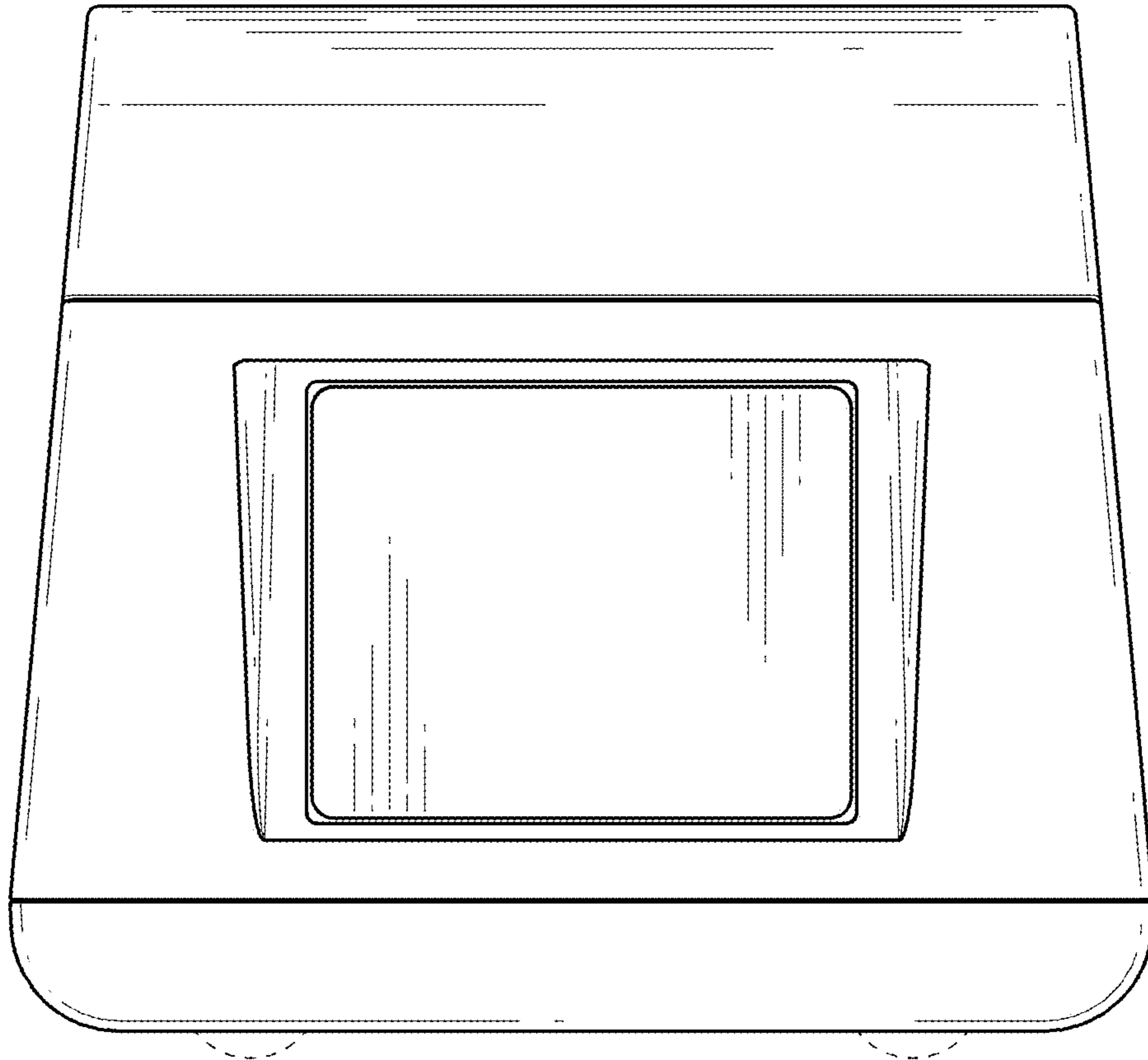


FIG. 4

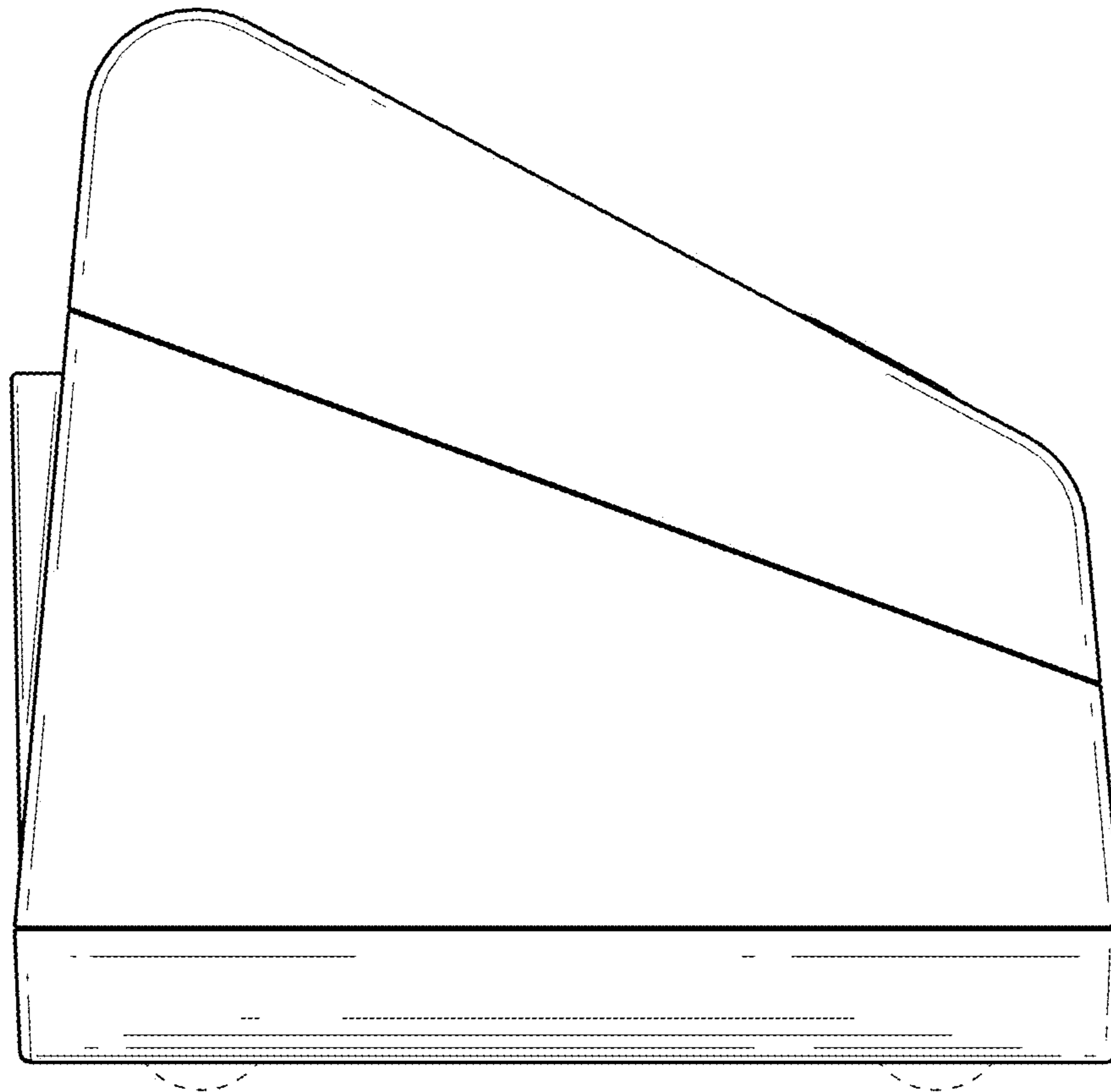


FIG. 5

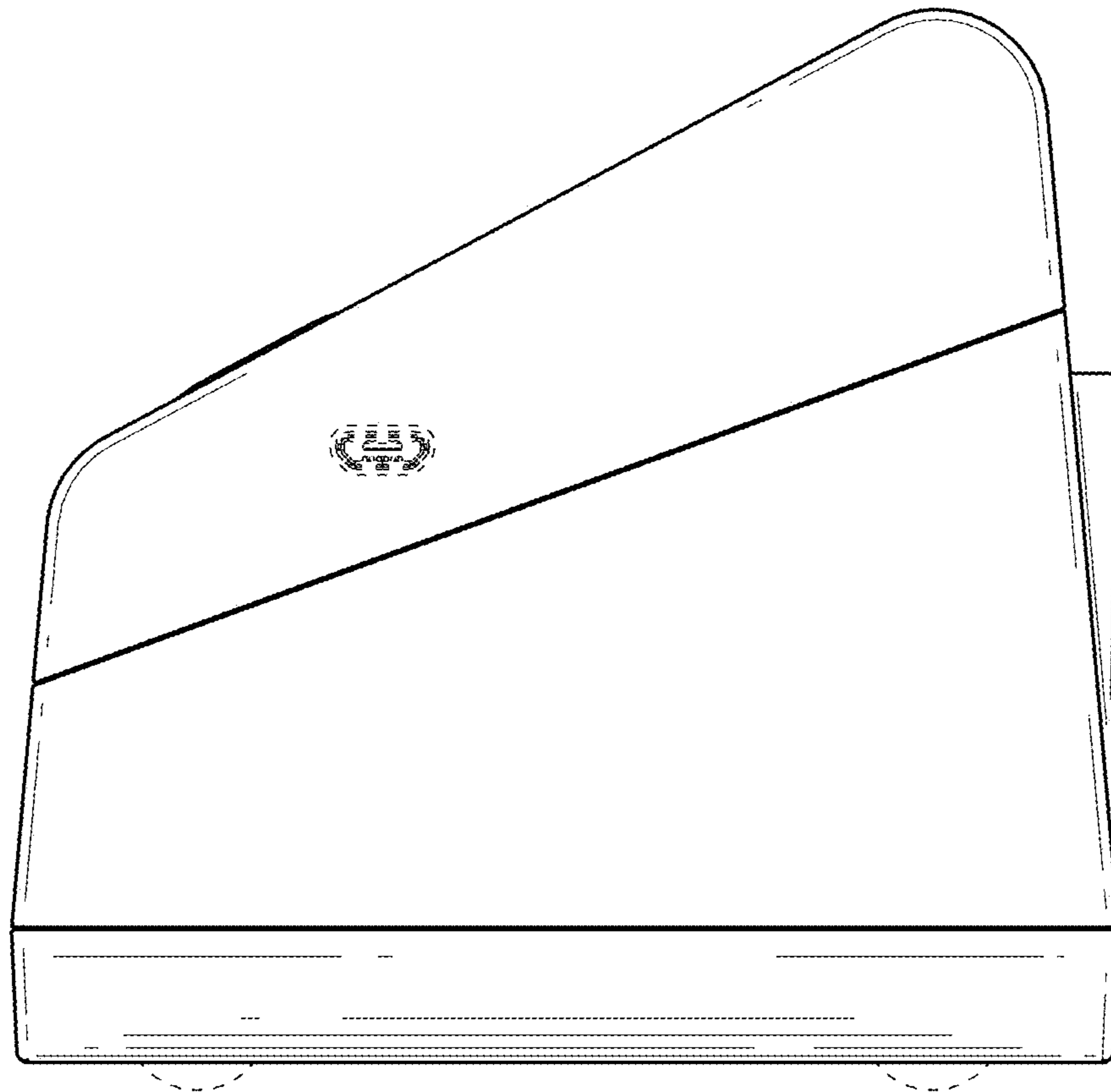


FIG. 6

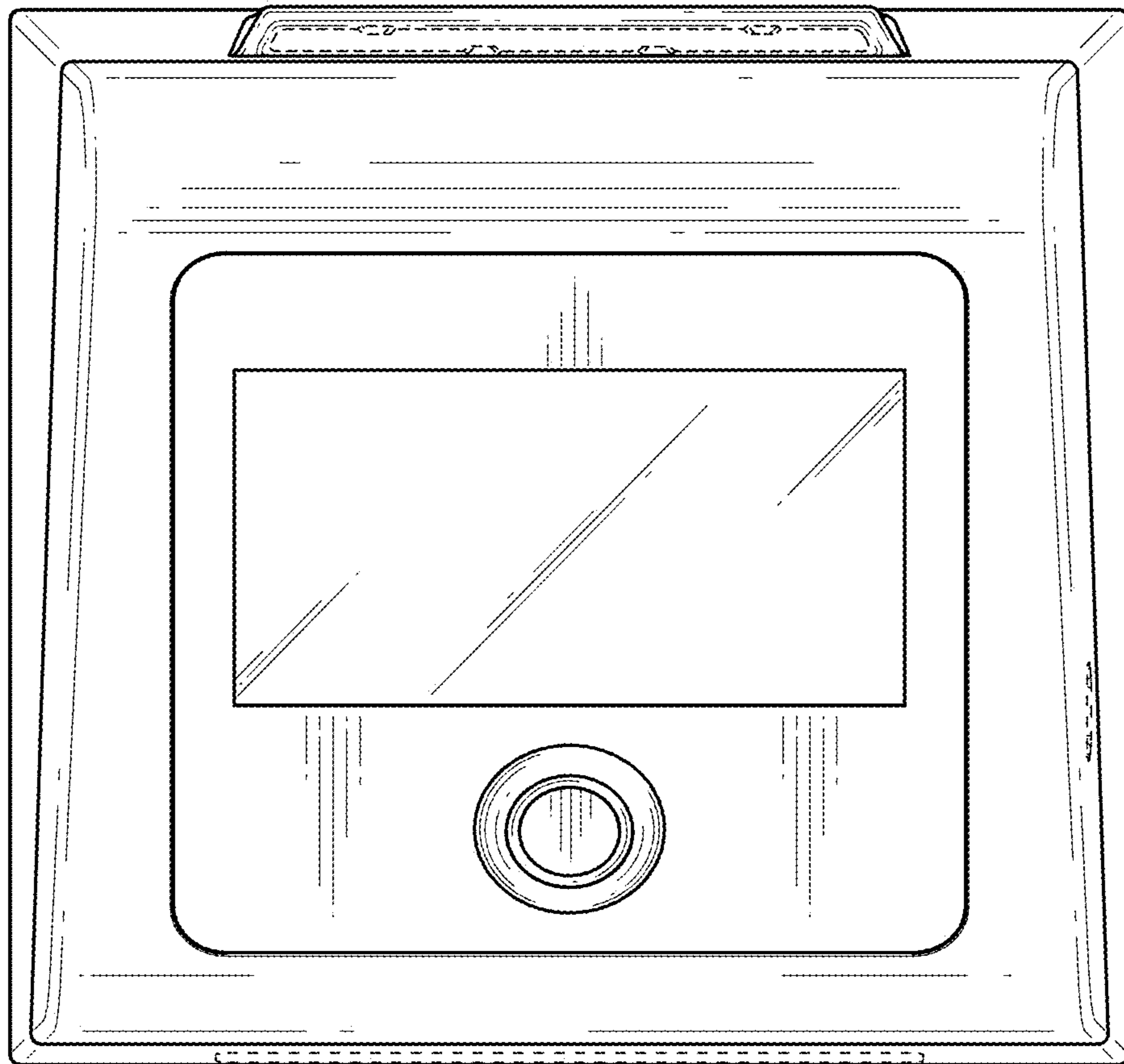


FIG. 7

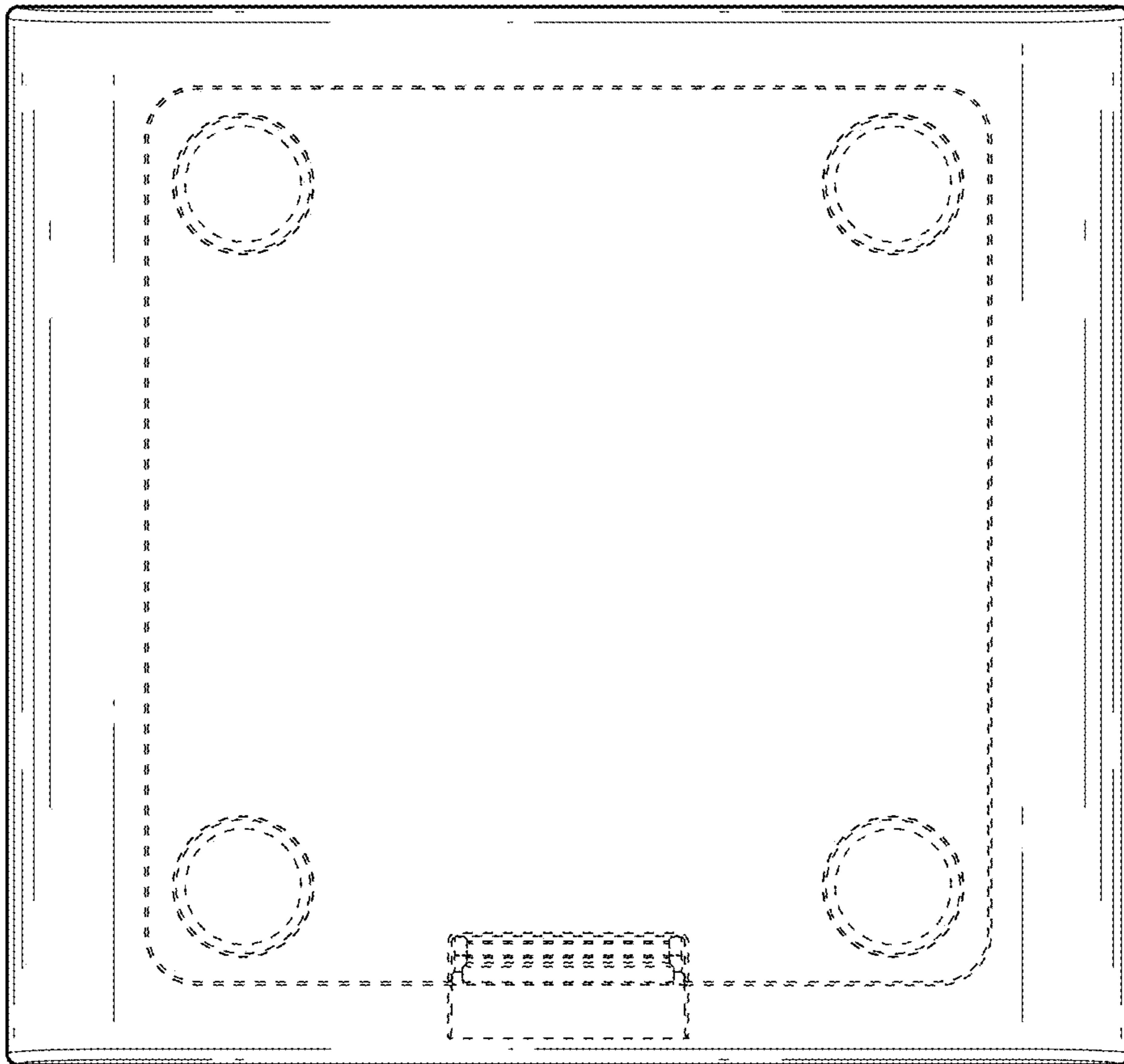


FIG. 8