



US00D887557S

(12) **United States Design Patent** (10) **Patent No.:** **US D887,557 S**  
**Szmanda** (45) **Date of Patent:** **\*\* Jun. 16, 2020**

(54) **HEARING AID COMPONENT CAP**

(71) Applicant: **Jeffrey P. Szmanda**, Big Bend, WI (US)

(72) Inventor: **Jeffrey P. Szmanda**, Big Bend, WI (US)

(\*\*) Term: **15 Years**

(21) Appl. No.: **29/658,425**

(22) Filed: **Jul. 31, 2018**

**Related U.S. Application Data**

(63) Continuation of application No. 15/225,010, filed on Aug. 1, 2016, now Pat. No. 10,075,792.

(51) **LOC (12) Cl.** ..... **24-99**

(52) **U.S. Cl.**  
USPC ..... **D24/174**

(58) **Field of Classification Search**  
USPC ..... D24/106, 151, 173-175, 186, 200, 231;  
D14/205, 223, 224, 225, 226, 249  
CPC .. H04R 2225/025; H04R 25/60; H04R 25/63;  
H04R 25/67; H04R 25/602; H04R  
25/604; H04R 25/608; H04R 25/65;  
H04R 25/652

See application file for complete search history.

(56) **References Cited**

**U.S. PATENT DOCUMENTS**

D263,253 S *	3/1982	Reynolds	.....	D24/174
D438,860 S *	3/2001	Darbut	.....	D14/226
6,690,806 B1 *	2/2004	Darbut	.....	H04R 25/402 381/313
D528,213 S *	9/2006	Darley	.....	D24/174
D635,677 S *	4/2011	Voix	.....	D24/174
D674,490 S *	1/2013	Bailey	.....	D24/174
D701,459 S *	3/2014	Ghosh	.....	D24/231
D728,107 S *	4/2015	Torres Martin	.....	D24/174
D831,832 S *	10/2018	Rappaport	.....	D24/173
2002/0189627 A1	12/2002	Tang		

2006/0215862 A1	9/2006	Hyunh et al.
2007/0003087 A1	1/2007	Ram et al.
2007/0036374 A1	2/2007	Bauman et al.
2009/0082801 A1	9/2009	Giese et al.

(Continued)

**FOREIGN PATENT DOCUMENTS**

JP H04132798 U 12/1992

**OTHER PUBLICATIONS**

Liberty Health Supply, "Gator Grip Magnetic Hearing Aid Insertion Tool", <http://www.libertyhealthsupply.com/gator-grip-hearing-aid-insertion-tool-p/lhs-slc-1.htm> accessed Aug. 1, 2016.

(Continued)

*Primary Examiner* — Anhdao Doan

(74) *Attorney, Agent, or Firm* — Andrus Intellectual Property Law, LLP

(57) **CLAIM**

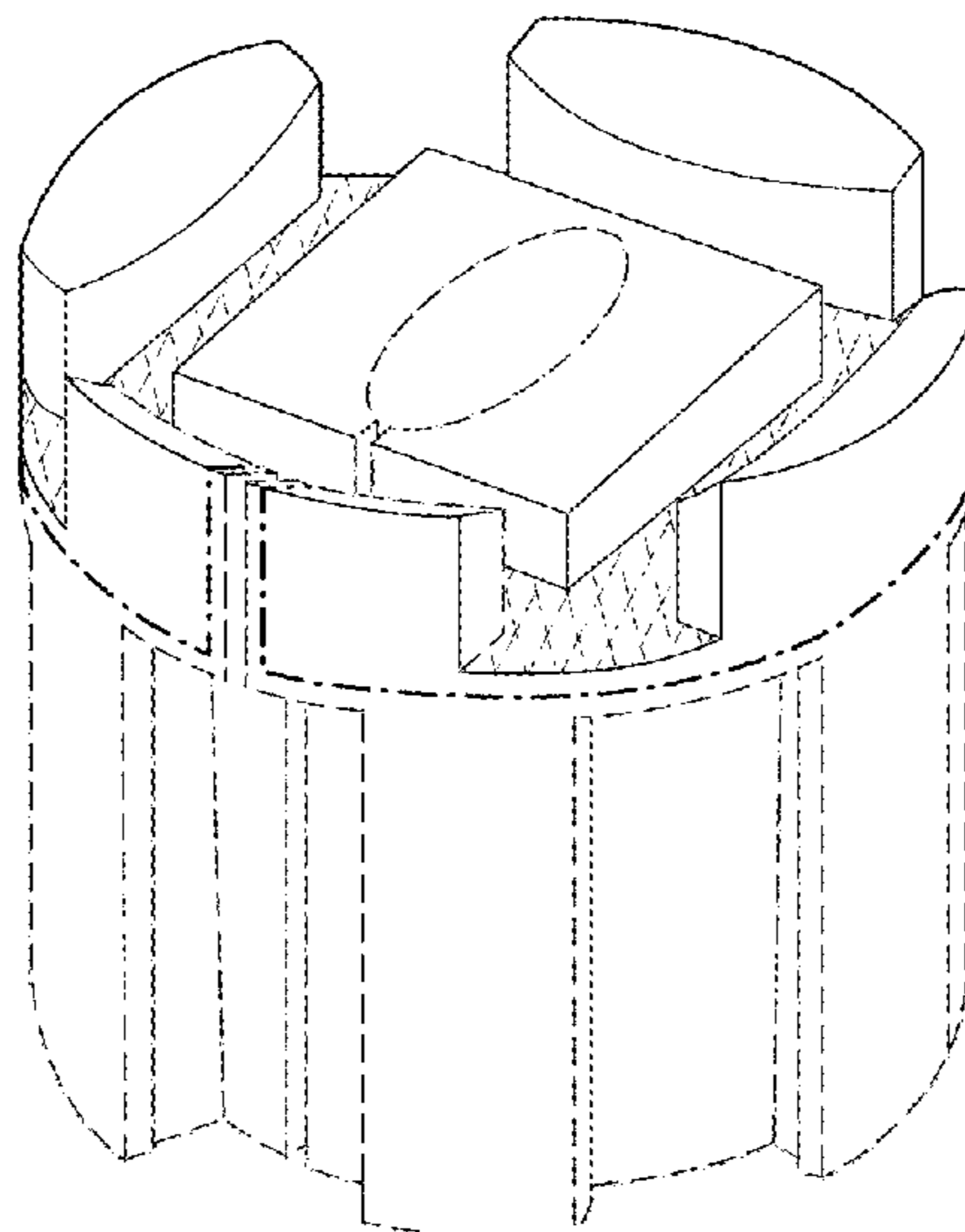
The ornamental design for a hearing aid component cap, as shown and described.

**DESCRIPTION**

FIG. 1 FIG. 1 is a top perspective view of a hearing aid component cap according to my new design; FIG. 2 is a front elevation view thereof; FIG. 3 is a rear elevation view thereof; FIG. 4 is a side elevation view thereof, the opposite side elevation view being identical thereto; FIG. 5 is a top plan view thereof; and, FIG. 6 is a bottom plan view thereof.

The broken lines in the FIGS. 1-6 illustrate portions of the hearing aid component cap that form no part of the claimed design. The dash-dot lines in FIGS. 1-5 between the solid line portions and the broken line portions of the hearing aid component cap depict the boundaries of the claimed design and form no part of the claimed design.

**1 Claim, 6 Drawing Sheets**



(56)

**References Cited**

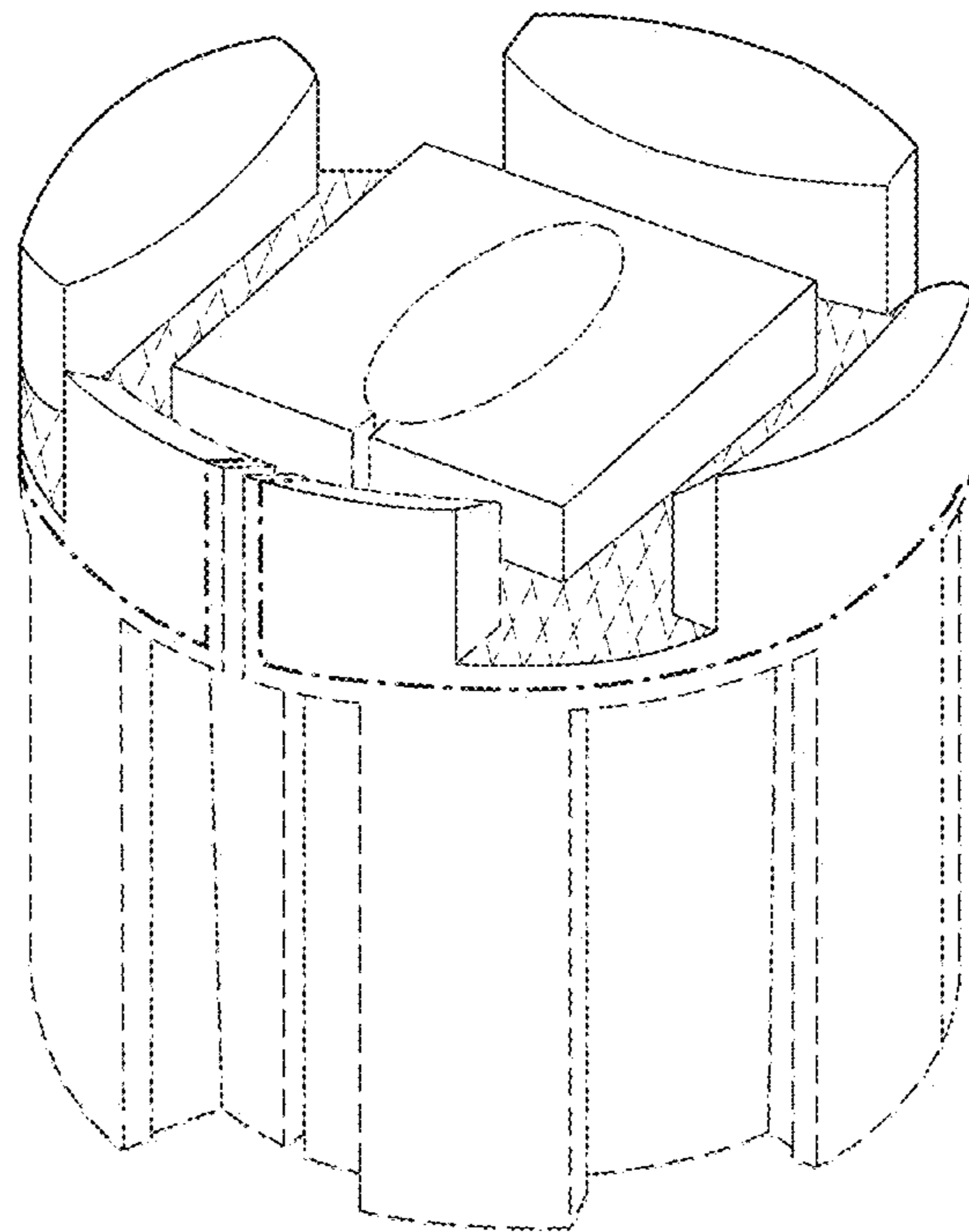
U.S. PATENT DOCUMENTS

2009/0285428 A1 11/2009 Gilgert  
2012/0087526 A1 4/2012 Higgins et al.  
2012/0230528 A1 9/2012 Pander et al.  
2014/0205123 A1\* 7/2014 Lafort ..... H04R 25/652  
381/329  
2016/0286324 A1\* 9/2016 van den Berg ..... H04R 25/65  
2017/0048630 A1\* 2/2017 Szmanda ..... H04R 25/65

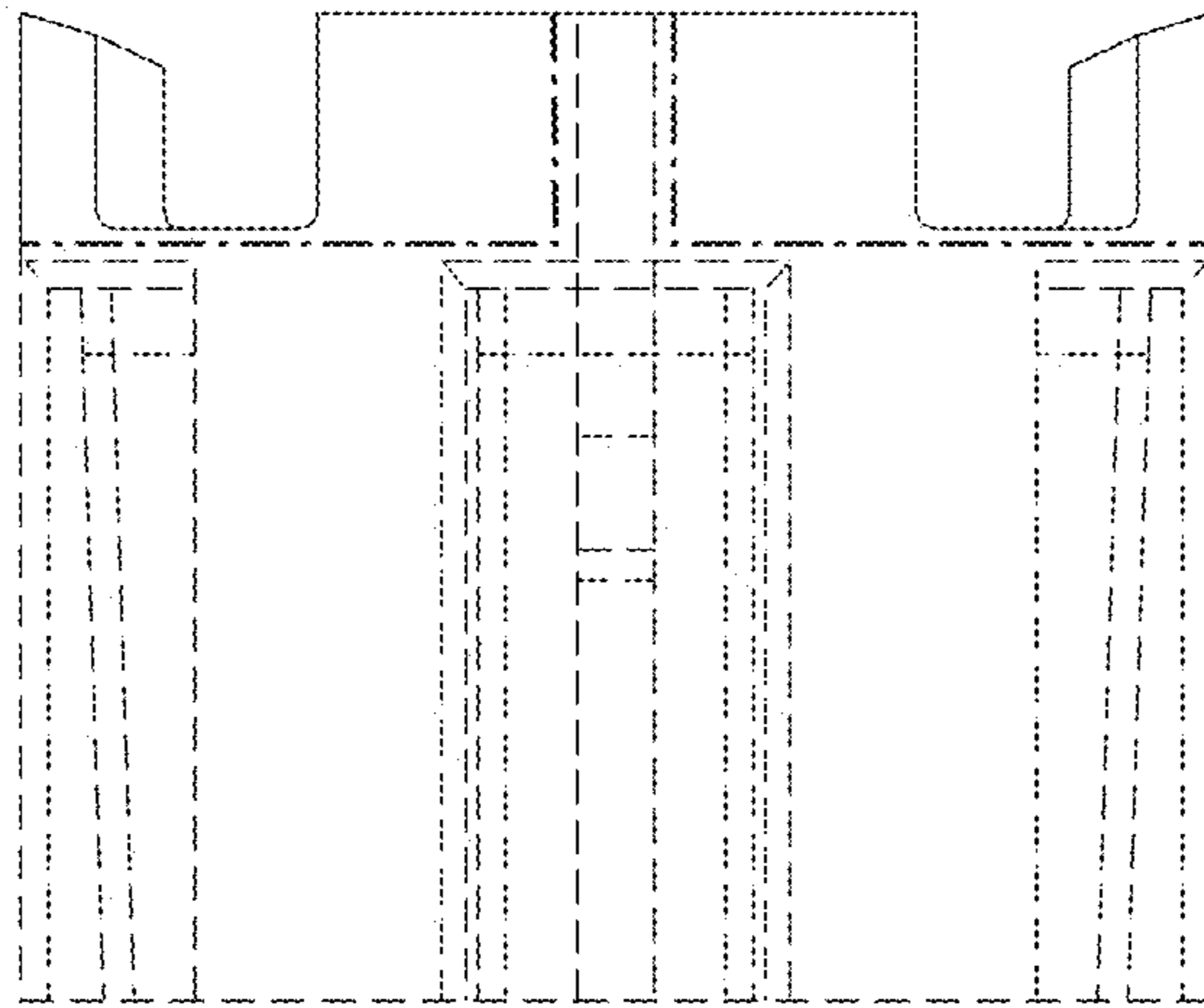
OTHER PUBLICATIONS

International Search Report and Written Opinion of PCT/US2016/  
045019 dated Jan. 11, 2017.  
Supplementary European Search Report for Application No. EP  
16835626 dated Mar. 7, 2019.

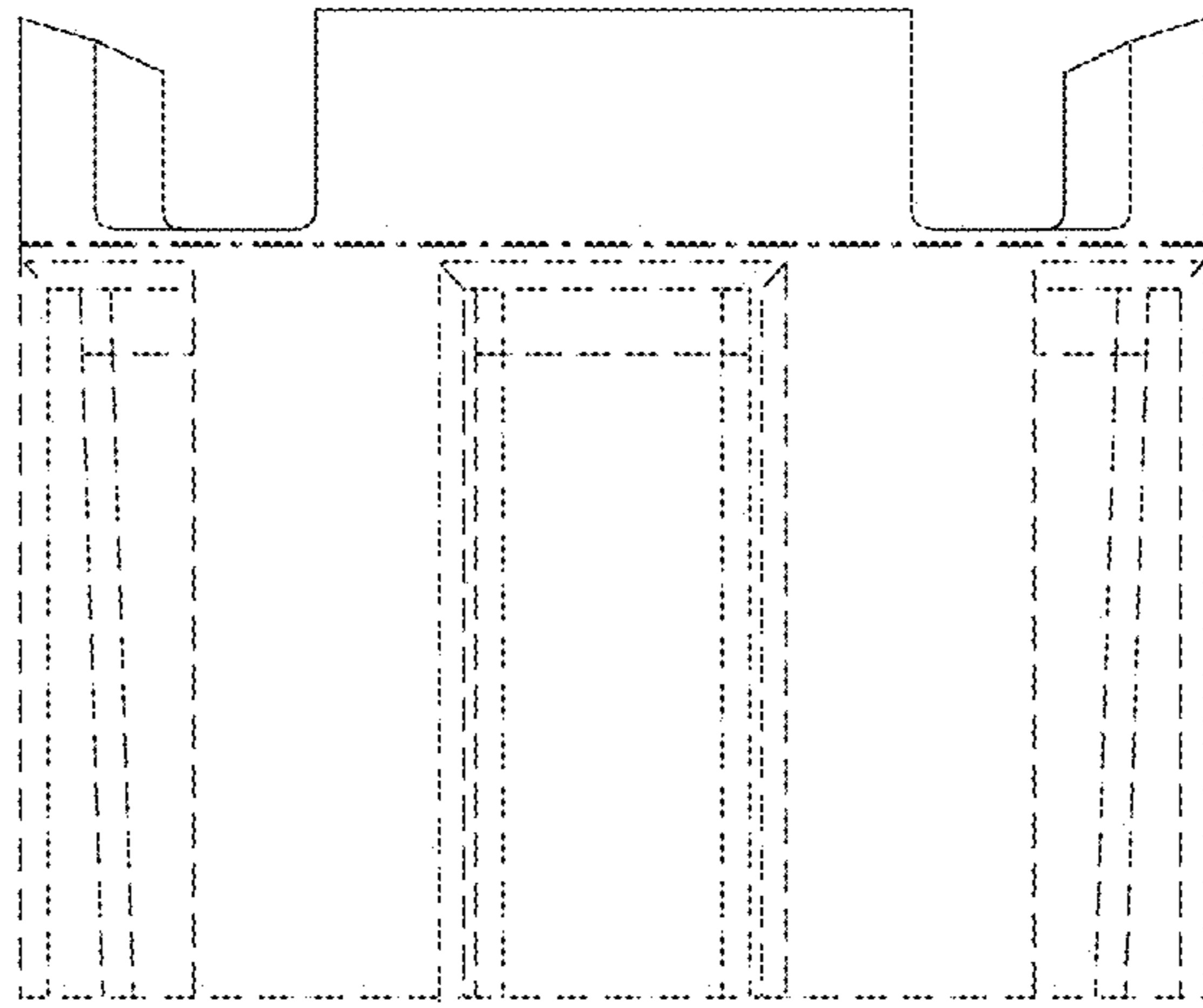
\* cited by examiner



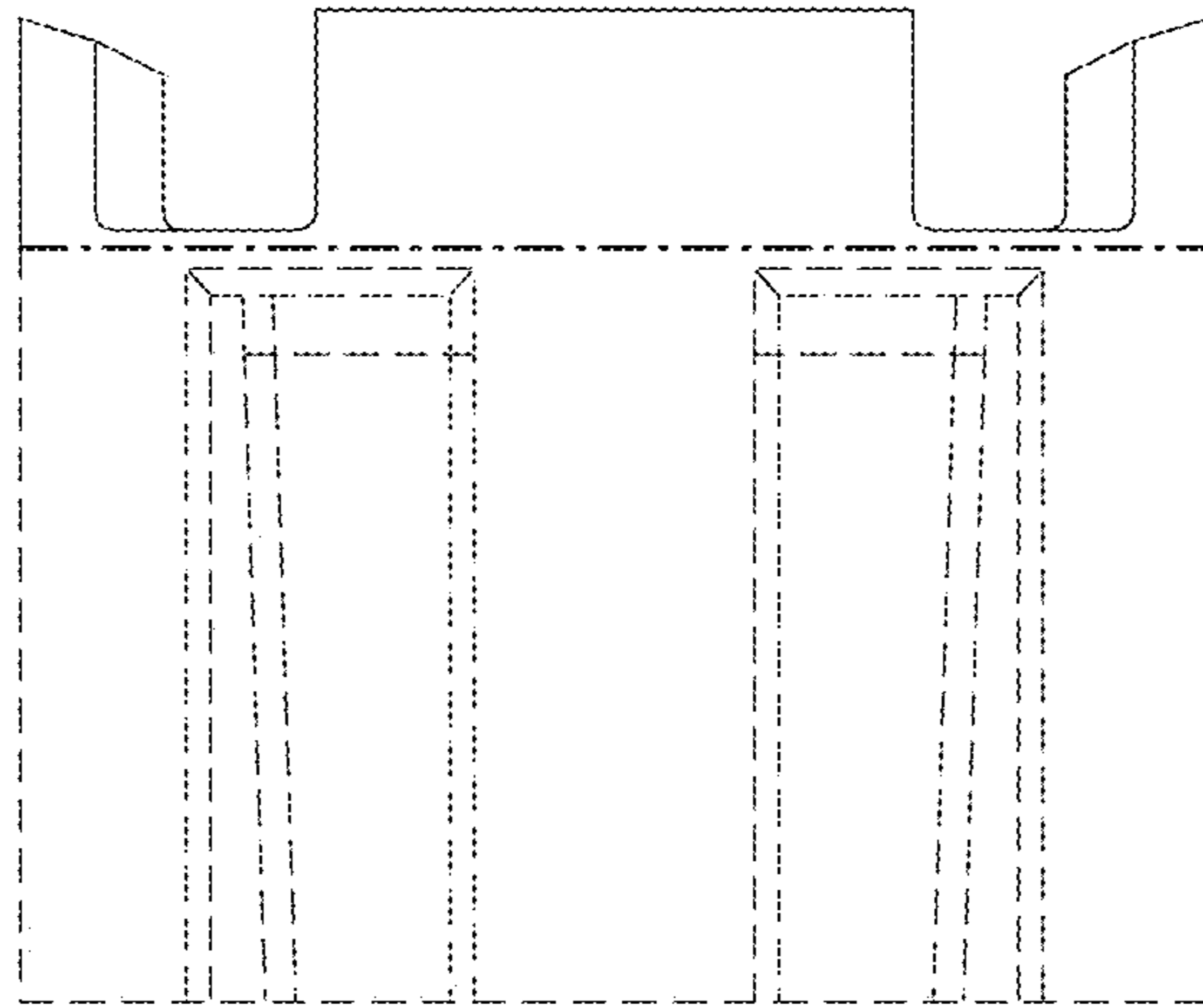
*FIG. 1*



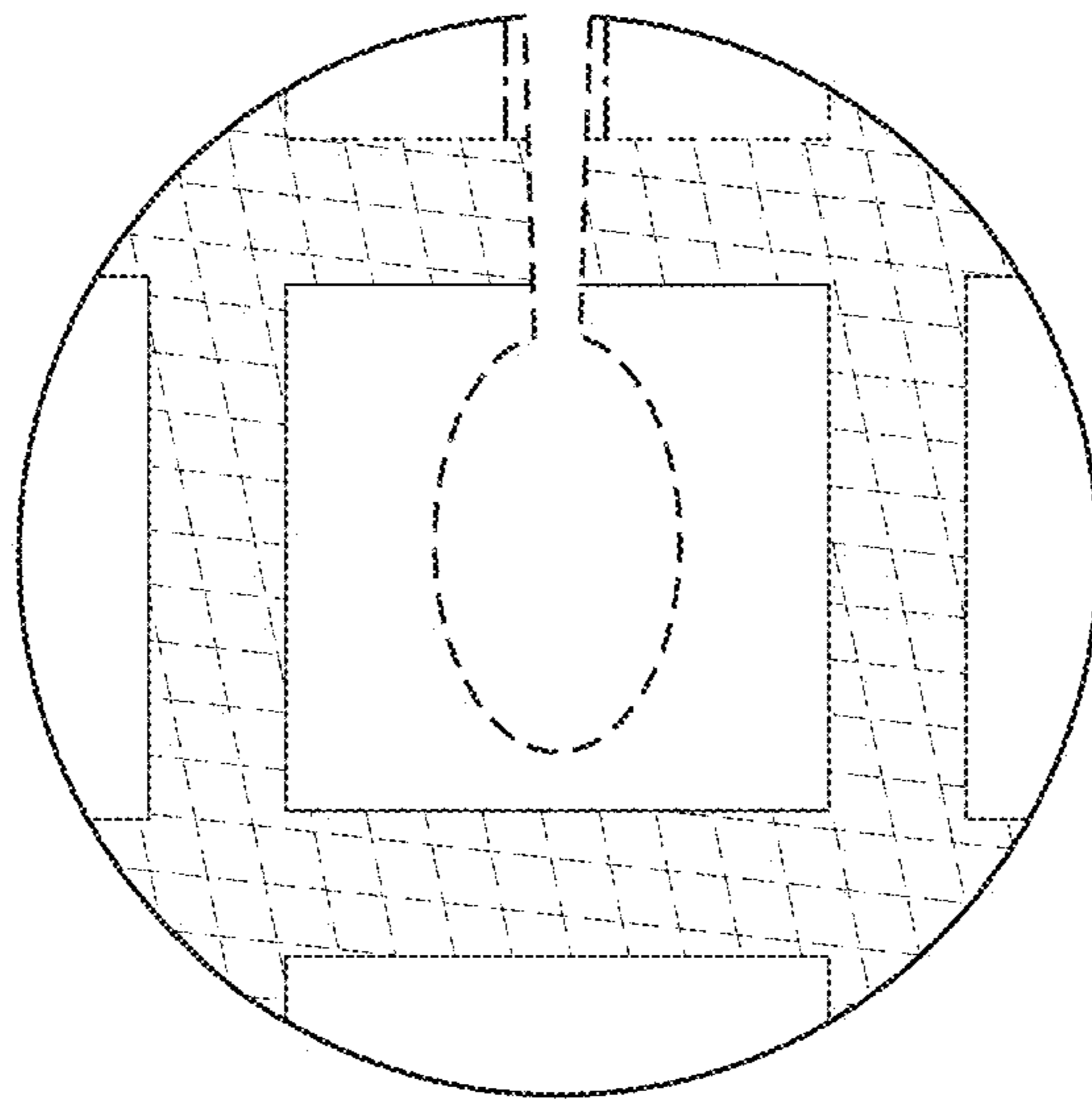
*FIG. 2*



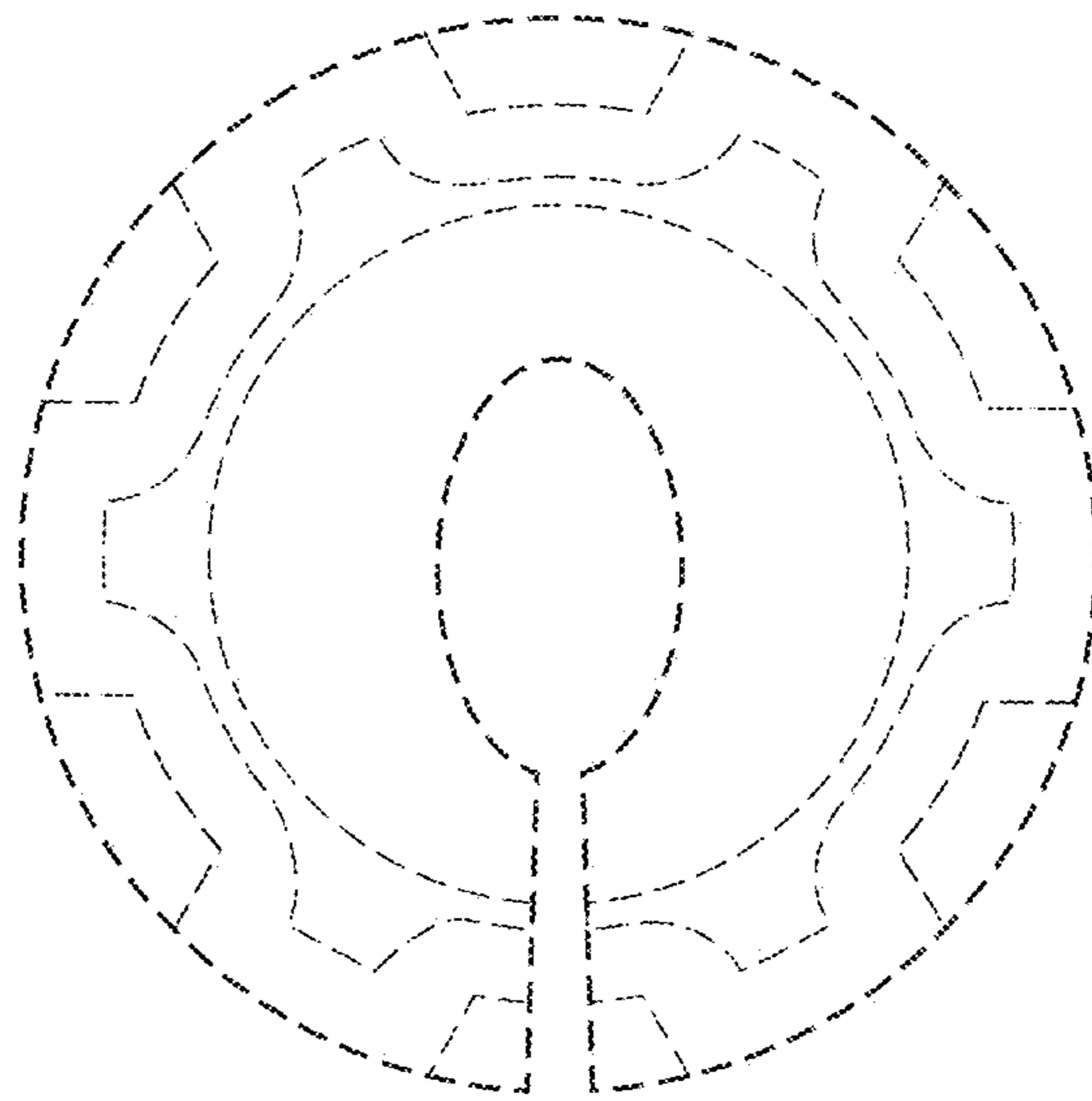
*FIG. 3*



*FIG. 4*



*FIG. 5*



**FIG. 6**